



US00D620051S

(12) **United States Design Patent**
Hultzman et al.

(10) **Patent No.:** **US D620,051 S**

(45) **Date of Patent:** **** Jul. 20, 2010**

(54) **VENDING MACHINE BUTTON**

(75) Inventors: **Scott Hultzman**, Putnam, CT (US);
Joseph G. Spanedda, Foster, RI (US);
Richard P. Rondeau, Hope, RI (US)

(73) Assignee: **GTECH Corporation**, Providence, RI (US)

(**) Term: **14 Years**

(21) Appl. No.: **29/344,949**

(22) Filed: **Oct. 6, 2009**

Related U.S. Application Data

(63) Continuation of application No. 29/344,353, filed on Sep. 28, 2009.

(51) **LOC (9) Cl.** **20-01**

(52) **U.S. Cl.** **D20/8**

(58) **Field of Classification Search** D20/1-9,
D20/99; 221/92, 96, 104, 124, 126, 151,
221/154, 155, 191, 194

See application file for complete search history.

(56) **References Cited**

U.S. PATENT DOCUMENTS

D353,624 S * 12/1994 Schwarzli D20/8
D548,283 S * 8/2007 George D20/8
D584,359 S * 1/2009 Chirnomas et al. D20/8

D595,359 S * 6/2009 Becker et al. D20/8
2002/0092861 A1 * 7/2002 Zerwig et al. 221/126
2008/0296313 A1 * 12/2008 Giglio et al. 221/155

* cited by examiner

Primary Examiner—Janice E Seeger

Assistant Examiner—Mary Ann Calabrese

(74) *Attorney, Agent, or Firm*—Sullivan & Worcester LLP;
Christopher T. McWhinney

(57) **CLAIM**

We claim the ornamental design for a vending machine button, as shown and described.

DESCRIPTION

FIG. 1 is a front perspective view of a vending machine button according to our new design;

FIG. 2 is a front elevational view thereof;

FIG. 3 is a rear elevational view thereof;

FIG. 4 is a left side elevational view thereof;

FIG. 5 is a right side elevational view thereof;

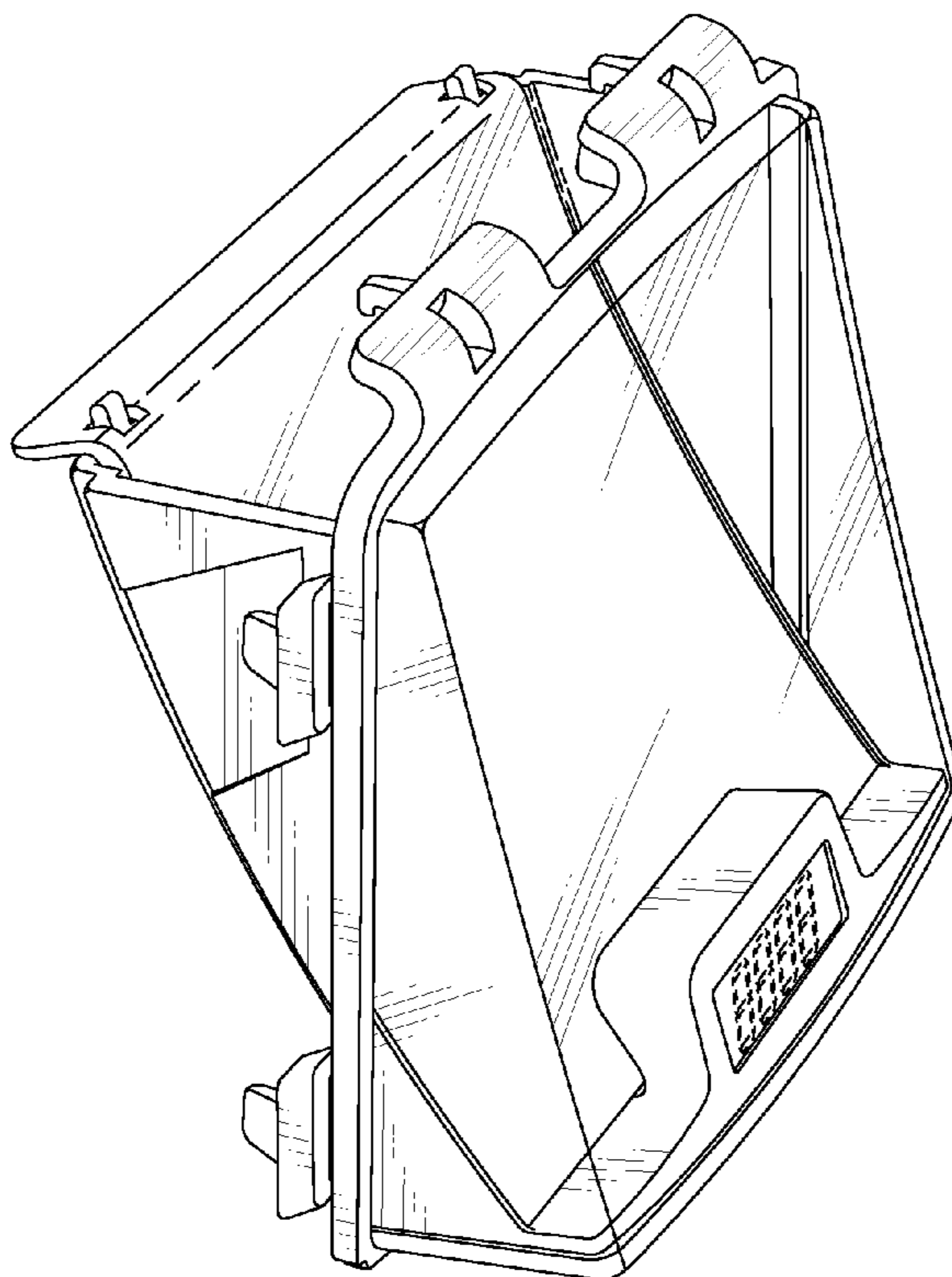
FIG. 6 is a top plan view thereof;

FIG. 7 is a bottom plan view thereof; and,

FIG. 8 is an exploded perspective view thereof.

In the drawings, the broken lines illustrate environment and form no part of the claimed design.

1 Claim, 4 Drawing Sheets



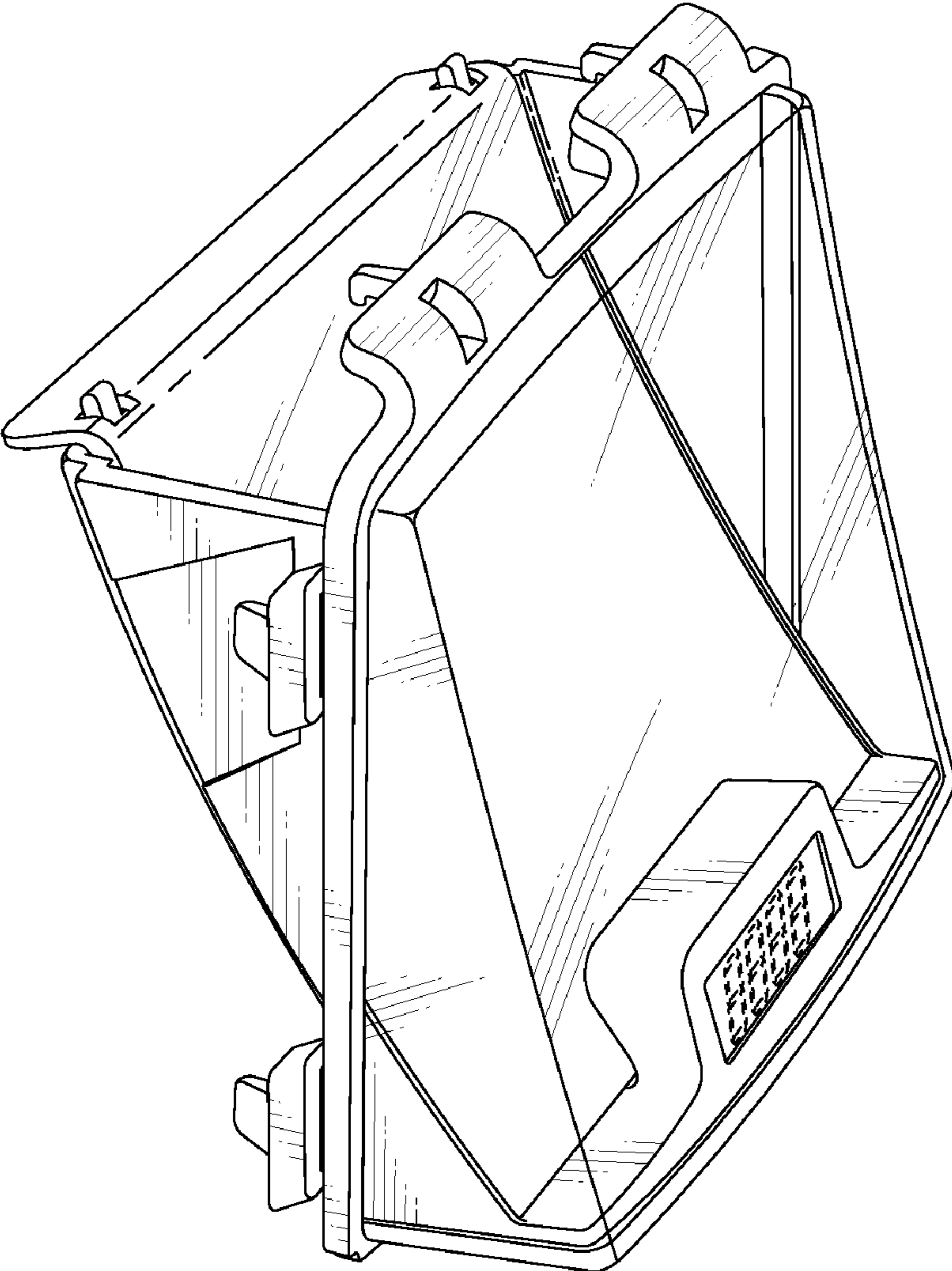


FIG. 1

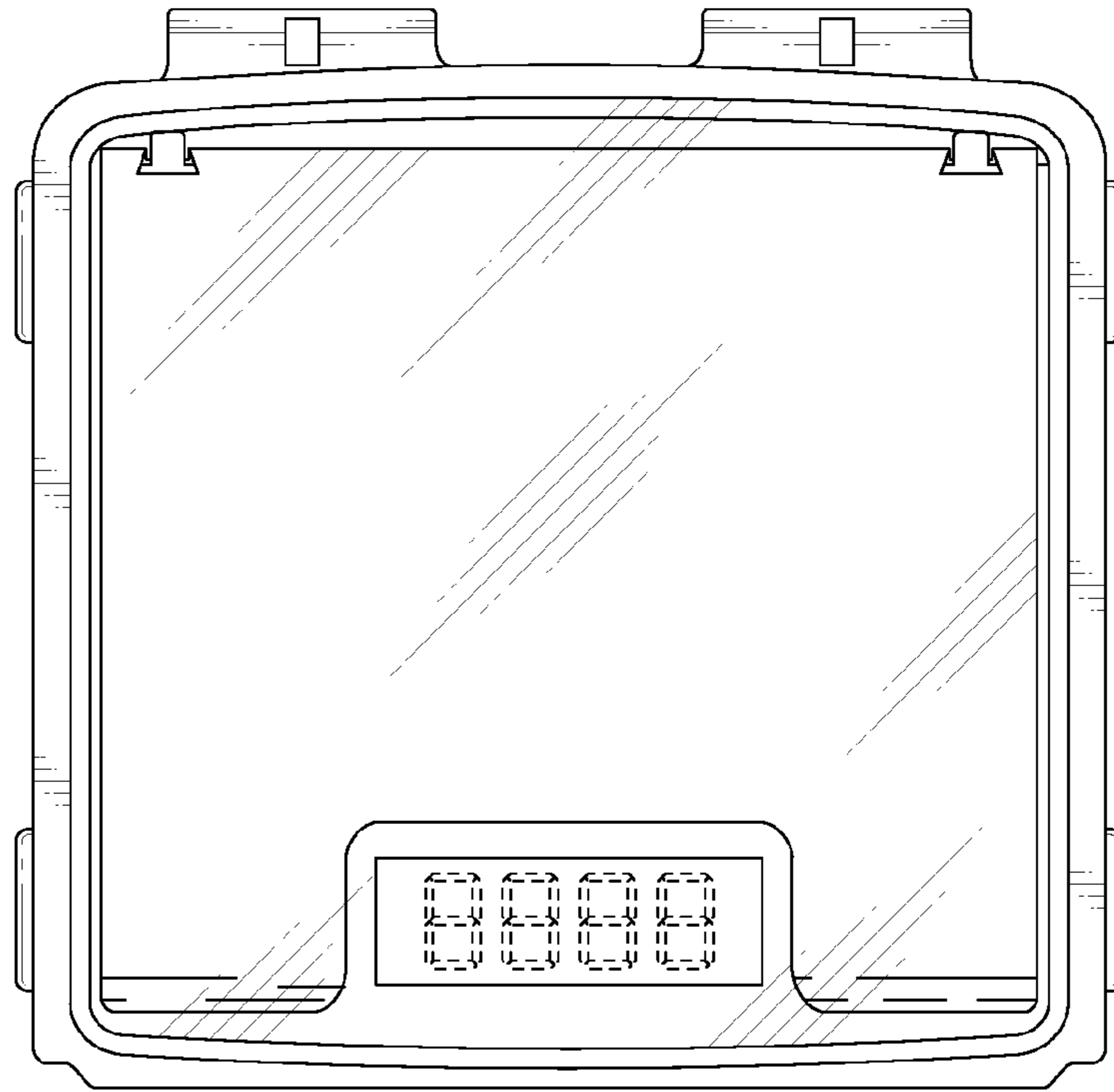


FIG. 2

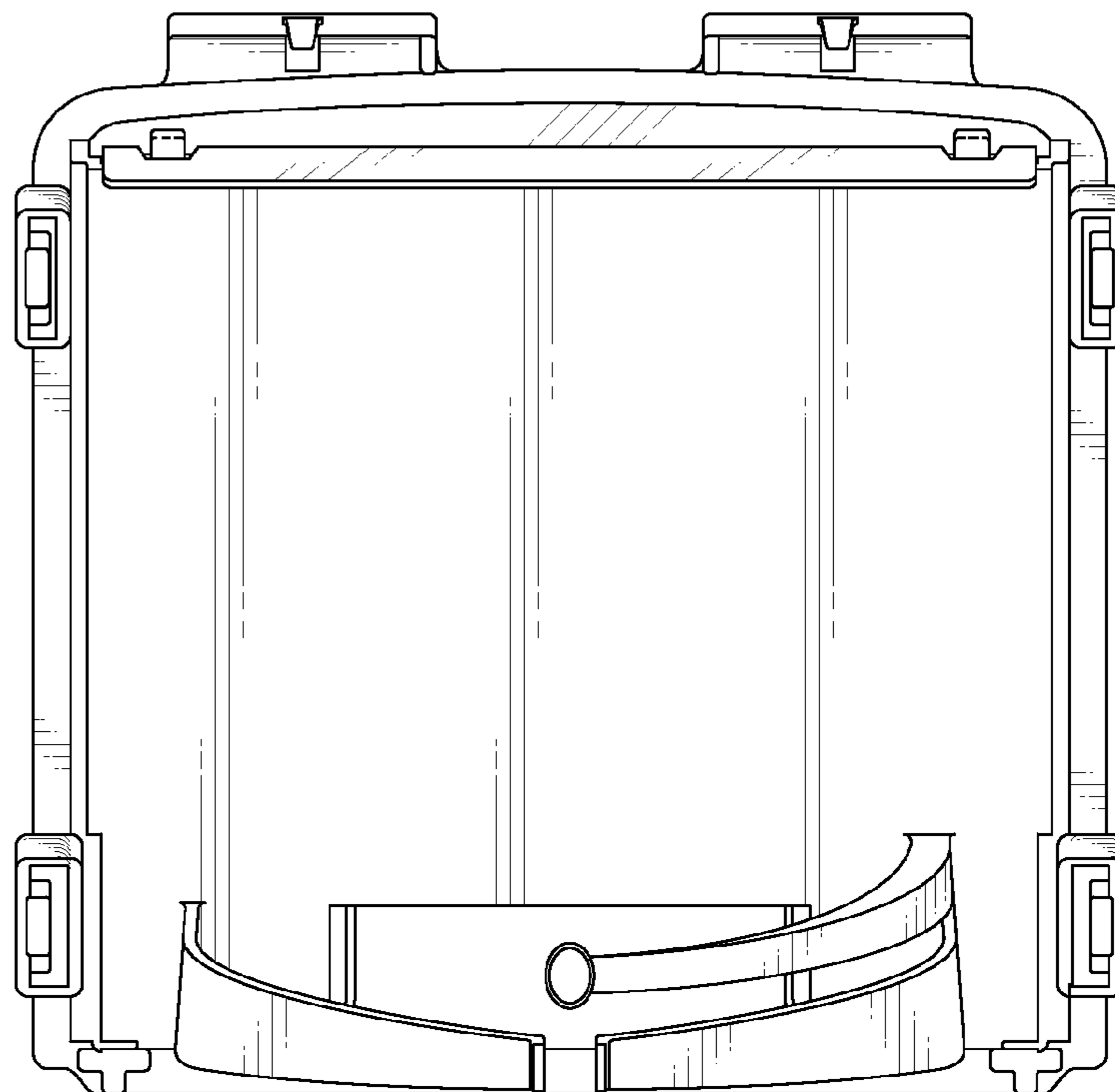


FIG. 3

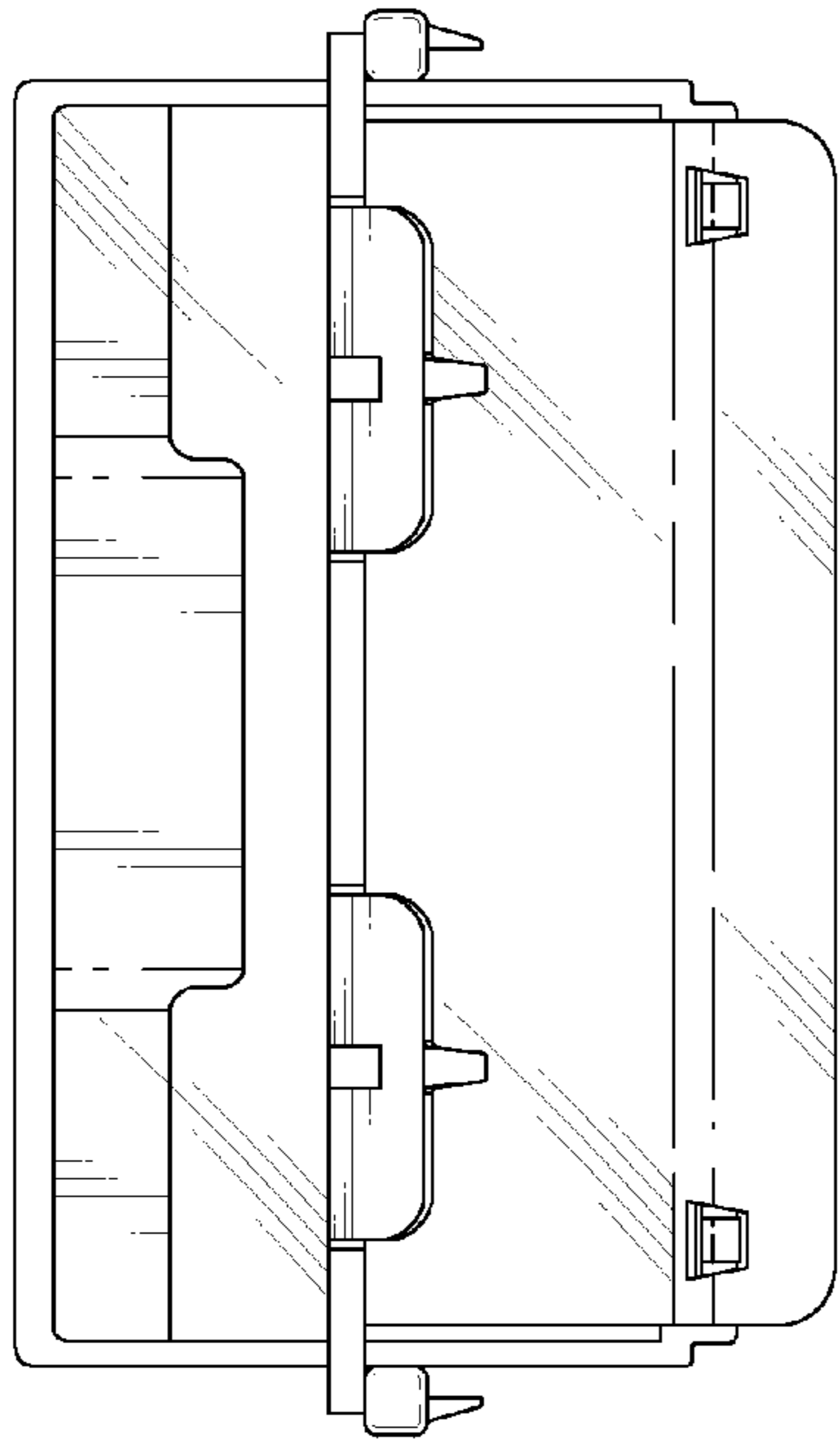


FIG. 6

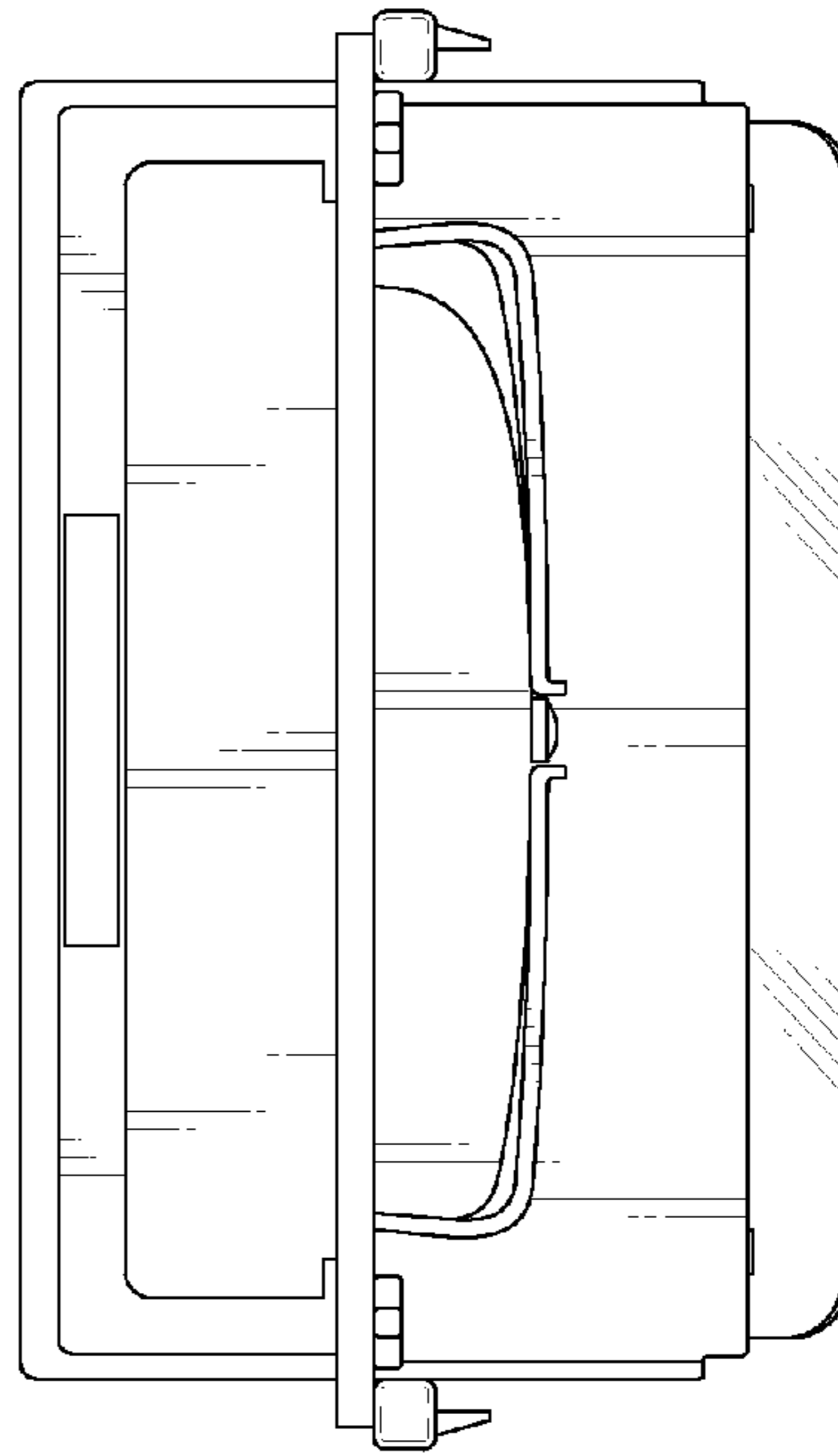


FIG. 7

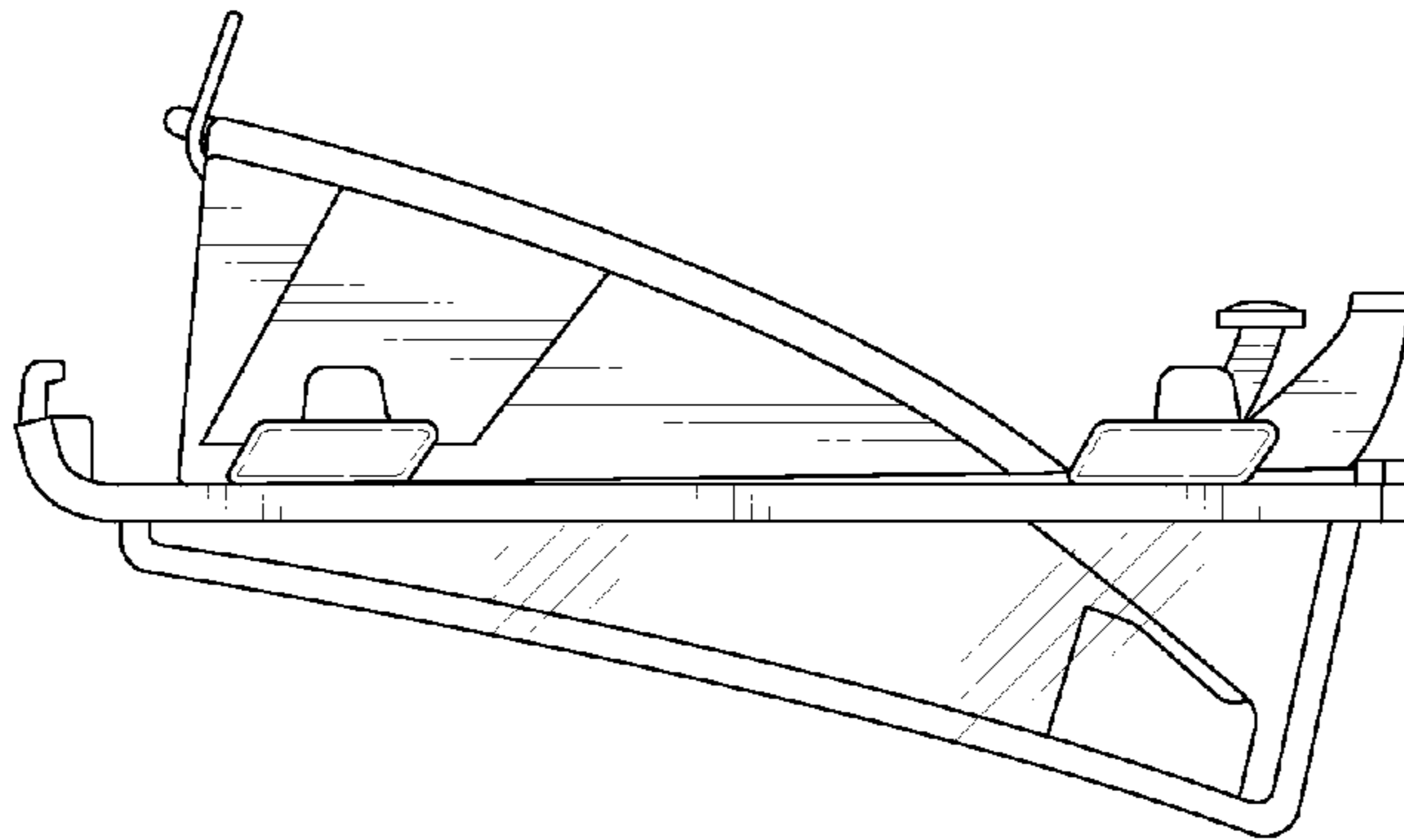


FIG. 5

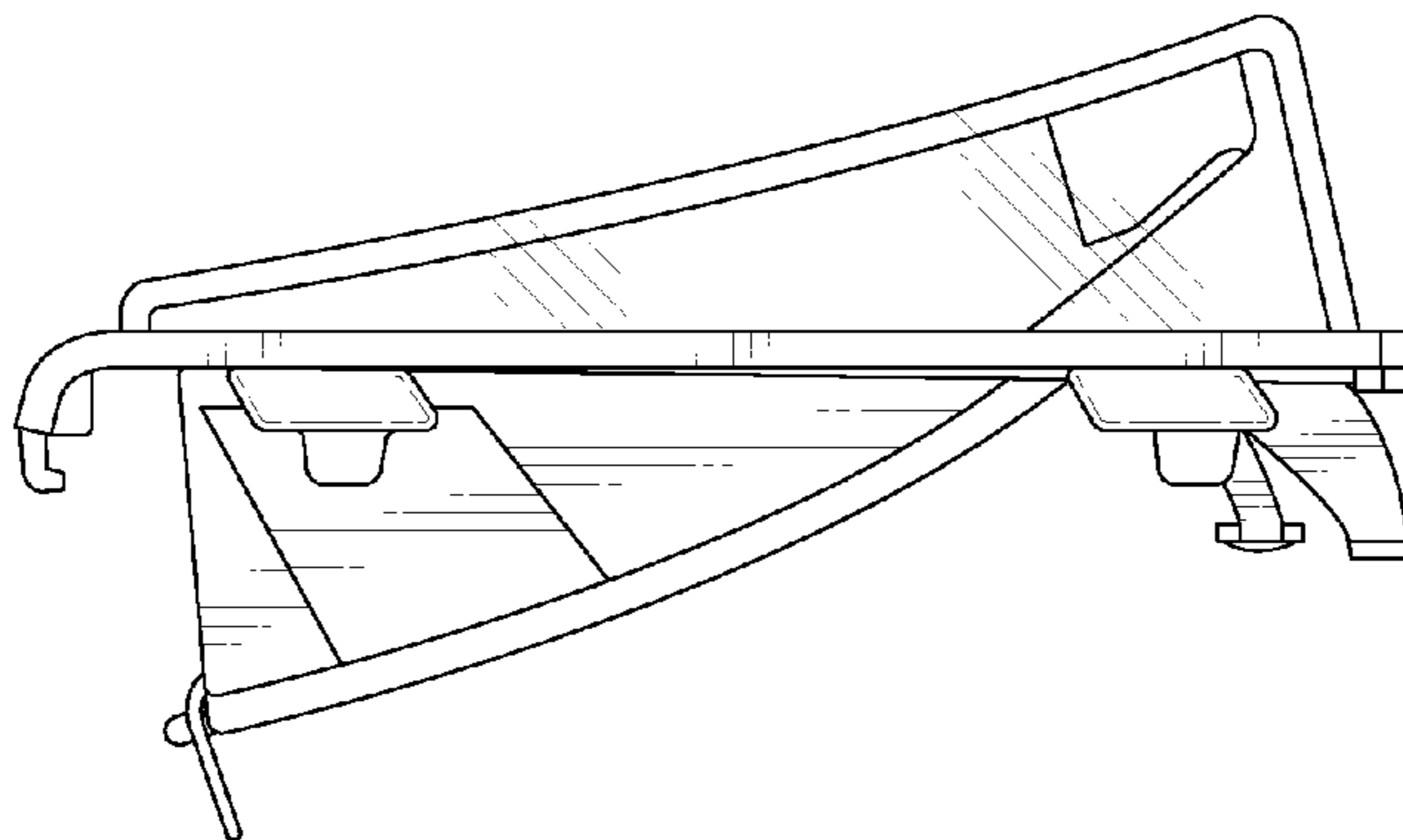


FIG. 4

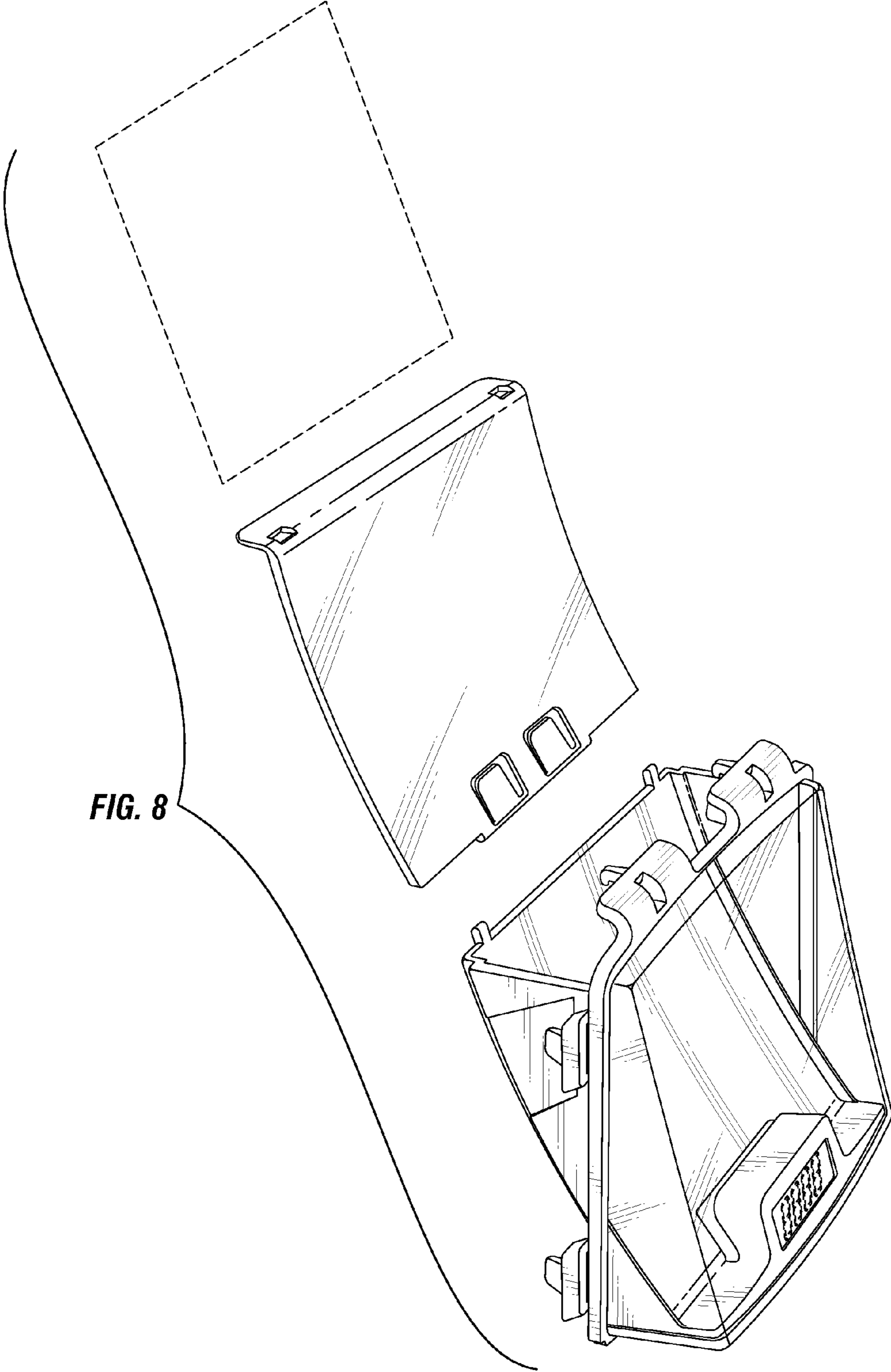


FIG. 8