



US00D620047S

(12) **United States Design Patent**
Rommel

(10) **Patent No.:** **US D620,047 S**
(45) **Date of Patent:** **** Jul. 20, 2010**

(54) **WRITING INSTRUMENT**
(75) Inventor: **Volkmar Rommel**, Schwaebisch Gmuend (DE)
(73) Assignee: **Senator GmbH & Co., KGaA**, Gross-Bieberau (DE)

DE M9006405 S 11/1991
DE M9506191.6 S 1/1996
DE M9609282.3 S 1/1997
DE M9607542.2 S 3/1997

(Continued)

(**) Term: **14 Years**

(21) Appl. No.: **29/320,775**

(22) Filed: **Jul. 3, 2008**

(30) **Foreign Application Priority Data**

Jan. 3, 2008 (DE) 40 2008 000 107
Jan. 6, 2008 (DE) 40 2008 000 100

(51) **LOC (9) Cl.** **19-06**

(52) **U.S. Cl.** **D19/49**

(58) **Field of Classification Search** D19/35,
D19/36, 41, 42, 43, 44, 45, 46, 47, 48, 49,
D19/50, 51, 54, 55, 56, 57; 24/11 F, 11 P,
24/11 R; 401/6, 52, 99, 100, 104, 105, 106,
401/107, 108, 109, 192, 195, 221, 234; 708/107
See application file for complete search history.

(56) **References Cited**

U.S. PATENT DOCUMENTS

426,622 A 4/1890 Madden
D116,412 S 8/1939 Reckford et al.
D128,390 S 7/1941 Christenson, Jr.
D151,664 S 11/1948 Teague et al.
D151,665 S 11/1948 Teague et al.
D177,359 S 4/1956 Young et al.
D201,412 S 6/1965 De Groft et al.
D266,856 S 11/1982 Oka
D305,551 S 1/1990 Oka
D312,096 S * 11/1990 Vitrac D19/51

(Continued)

FOREIGN PATENT DOCUMENTS

DE M8906371 S 11/1990

OTHER PUBLICATIONS

Skeye XL Clear pen by Senator, as shown on senatorpromotional.com, viewed Sep. 23, 2009 (1 page).*

(Continued)

Primary Examiner—Elizabeth A Albert
Assistant Examiner—Karen E Eldridge Powers
(74) *Attorney, Agent, or Firm*—Stevens & Showalter LLP

(57) **CLAIM**

The ornamental design for writing instrument, as shown and described.

DESCRIPTION

FIG. 1 is a side view of a first embodiment of a writing instrument of the present application seen from the left side of the writing instrument as shown in FIG. 4;

FIG. 2 is a rear view thereof;

FIG. 3 is a side view seen from the right side thereof;

FIG. 4 is a front view thereof;

FIG. 5 is a bottom view thereof;

FIG. 6 is a perspective view thereof;

FIG. 7 is a side view of a second embodiment of a writing instrument of the present application seen from the left side of the writing instrument as shown in FIG. 10;

FIG. 8 is a rear view thereof;

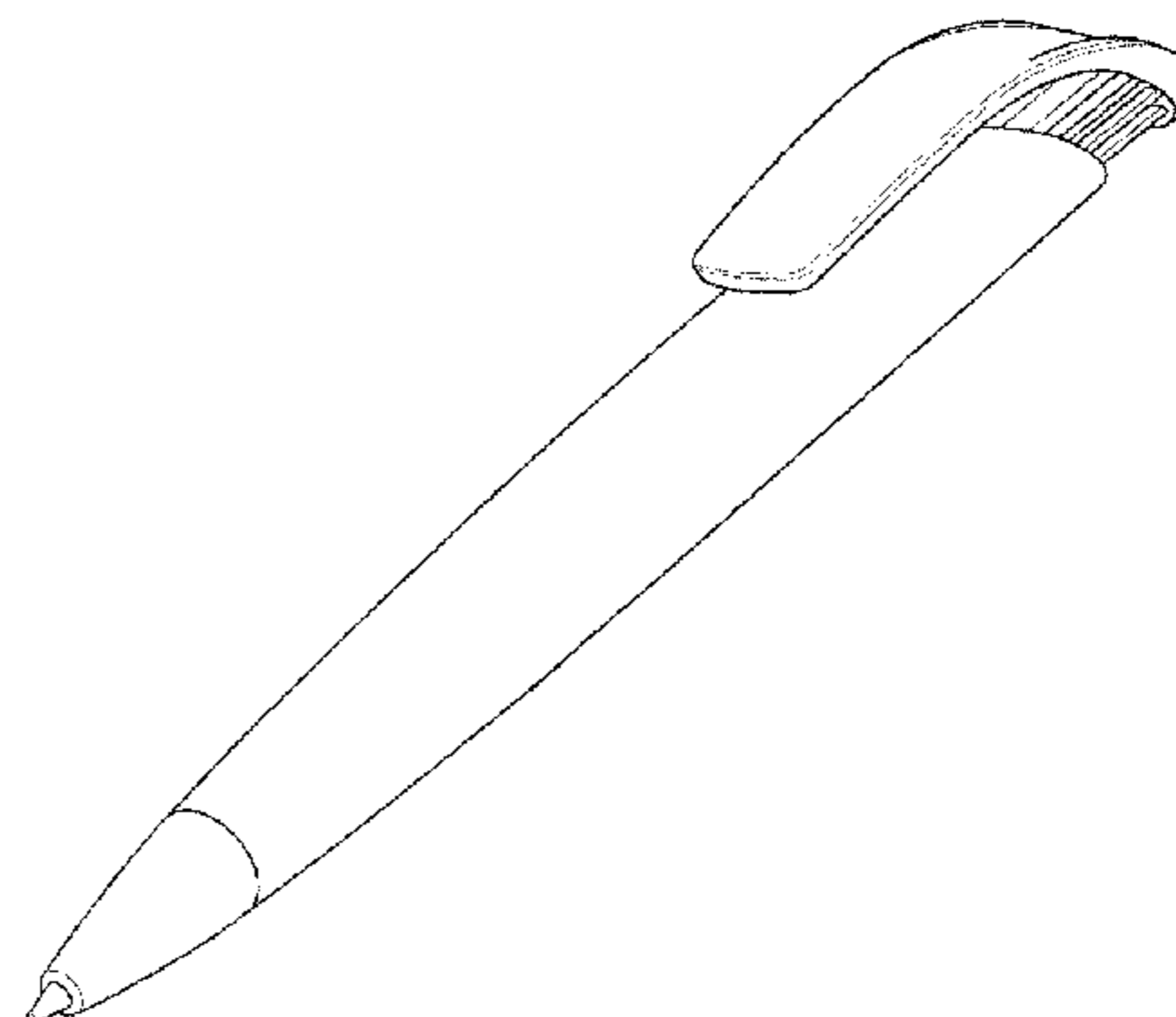
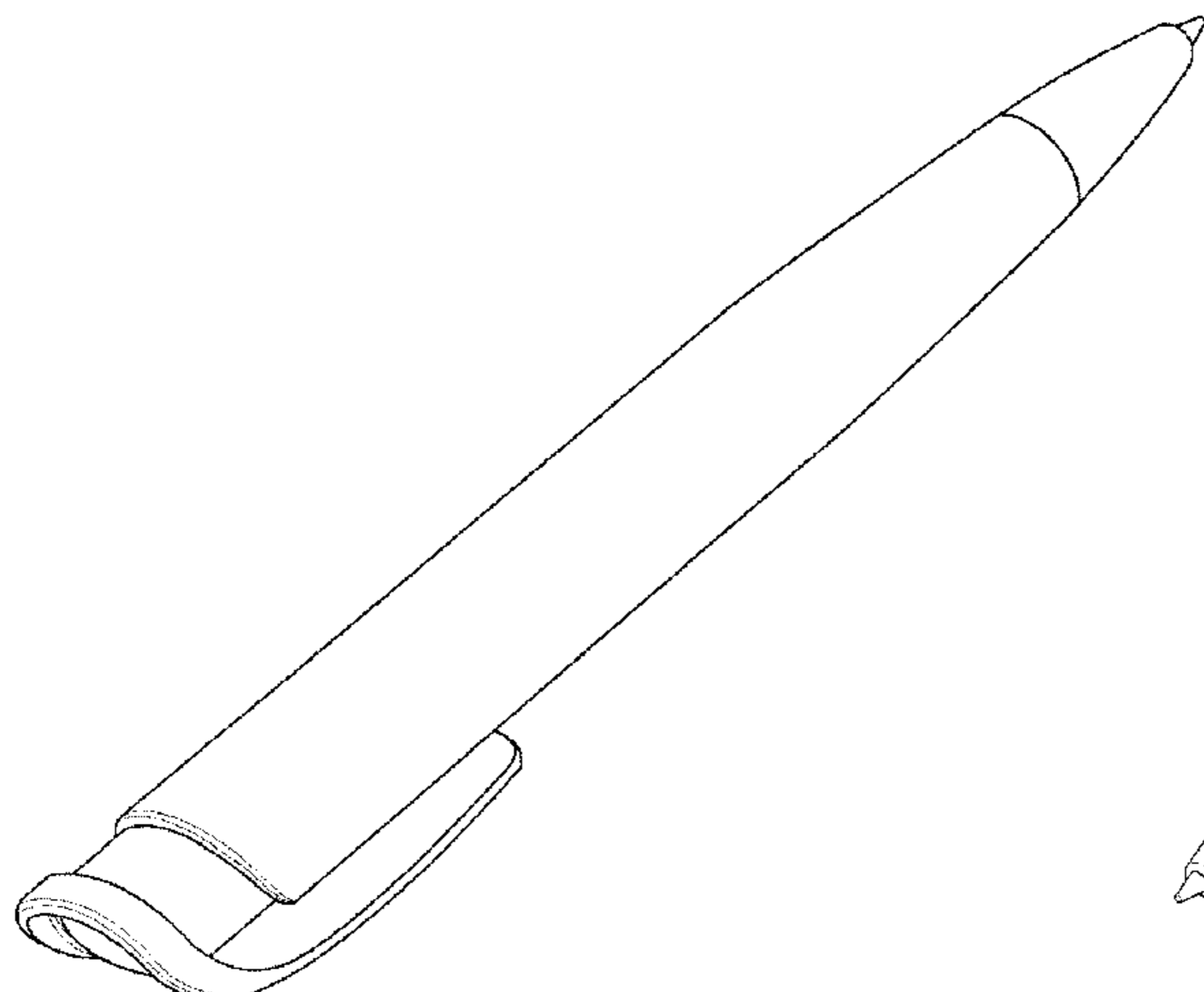
FIG. 9 is a side view seen from the right side thereof;

FIG. 10 is a front view thereof;

FIG. 11 is a bottom view thereof; and,

FIG. 12 is a perspective view thereof.

1 Claim, 6 Drawing Sheets



US D620,047 S

U.S. PATENT DOCUMENTS

D318,294 S 7/1991 Cho-Kai
 D319,844 S 9/1991 Grötsch et al.
 D319,845 S 9/1991 Grötsch et al.
 D320,618 S 10/1991 Grötsch
 D325,221 S 4/1992 Ito
 D325,599 S 4/1992 Poisson
 D326,683 S 6/1992 Katami
 D327,911 S 7/1992 Poisson
 D328,918 S 8/1992 Buda et al.
 D329,660 S 9/1992 Yamanaka
 D331,070 S 11/1992 Hu Huang
 D332,283 S 1/1993 Voorhees
 D336,491 S 6/1993 Vitrac
 D338,686 S 8/1993 Ito
 D339,822 S 9/1993 Möck et al.
 D342,545 S 12/1993 Kao
 D342,546 S 12/1993 Song
 D345,577 S 3/1994 Höhner
 D349,297 S 8/1994 Shimizu
 D351,417 S 10/1994 Oka
 D362,269 S 9/1995 Hollington
 D366,901 S 2/1996 Takahashi
 D366,902 S 2/1996 Takahashi
 D376,817 S 12/1996 Boix Gacia
 D377,664 S 1/1997 Izushima
 D385,916 S 11/1997 Katami
 D385,918 S 11/1997 Katami
 D387,804 S 12/1997 Izushima
 D389,863 S 1/1998 Nguyen
 D390,872 S 2/1998 Sunaga
 D394,457 S 5/1998 Izushima
 D395,447 S 6/1998 Izushima
 D395,672 S 6/1998 Navarro
 D416,940 S 11/1999 Ito
 D421,625 S 3/2000 Oka
 D423,576 S 4/2000 Stevens et al.
 D427,633 S * 7/2000 Pellisa Beneyto D19/51
 D430,209 S 8/2000 Rommel
 D430,607 S 9/2000 Matsuzaki et al.
 D437,352 S 2/2001 Matsuzaki et al.
 D444,499 S 7/2001 Nakazawa
 D444,502 S 7/2001 Luntz
 D445,131 S 7/2001 Keda
 D446,245 S 8/2001 Chuang
 D447,772 S 9/2001 Lau
 D451,548 S 12/2001 Banasik
 D454,368 S 3/2002 Pellissa Beneyto
 D456,845 S * 5/2002 Rommel D19/49
 D458,966 S 6/2002 Oka
 D459,757 S 7/2002 Oka
 D460,114 S 7/2002 Oka
 D460,486 S 7/2002 Oka
 D461,204 S 8/2002 Klefbom
 D461,501 S 8/2002 Nishida
 D472,576 S 4/2003 Koury et al.
 D475,406 S * 6/2003 Cetera D19/48
 D475,741 S 6/2003 Cetera
 D476,364 S 6/2003 Bain
 D482,069 S 11/2003 Koch
 D483,066 S 12/2003 Takanashi
 D484,537 S 12/2003 Arita
 D485,574 S 1/2004 Keil
 D487,776 S 3/2004 Keda
 D489,406 S 5/2004 Sakuno
 D490,105 S 5/2004 Oka
 D491,223 S 6/2004 Wang
 D491,983 S 6/2004 Izushima
 D495,000 S 8/2004 Ijiri
 D497,642 S 10/2004 Lovell
 D497,950 S 11/2004 Takanashi
 D498,496 S 11/2004 Volk

D500,522 S 1/2005 Rommel
 D505,158 S 5/2005 Tessier et al.
 D508,264 S 8/2005 Losel
 D510,599 S 10/2005 Shibata
 D511,545 S 11/2005 Chiaruttini
 D512,459 S 12/2005 Anand
 D531,509 S 11/2006 Mongeon et al.
 D534,957 S 1/2007 De Baschmakoff
 D538,853 S 3/2007 Losel
 D539,348 S 3/2007 Hamilton et al.
 D540,387 S * 4/2007 Losel D19/51
 D541,343 S * 4/2007 Losel D19/50
 D541,344 S 4/2007 Hamilton et al.
 D541,862 S 5/2007 Koch
 D546,389 S 7/2007 Chiaruttini
 D559,316 S * 1/2008 Loesel D19/50
 D567,854 S * 4/2008 Hamilton et al. D19/49
 D569,436 S * 5/2008 Shibata D19/57
 D573,186 S * 7/2008 Rommel D19/51
 D573,642 S * 7/2008 Loesel D19/50
 D577,069 S * 9/2008 Bhavnani et al. D19/51
 D578,573 S * 10/2008 Bhavnani et al. D19/54
 D579,498 S * 10/2008 Bhavnani et al. D19/57
 D589,556 S * 3/2009 Keda D19/45
 D591,350 S * 4/2009 Beyer D19/50
 D591,793 S * 5/2009 Booker D19/49
 D602,087 S * 10/2009 Rommel D19/50
 2006/0228162 A1 10/2006 Cetera

FOREIGN PATENT DOCUMENTS

DE M9610383 S 5/1997
 DE M9801770 S 9/1998
 DE 49812129 S 6/1999
 DE 40006553 S 10/2000
 DE 40201358 S 7/2002
 DE 40110191 S 8/2002
 DE 40402513 S 1/2005
 DE 40406627 S 6/2005
 DE 40407306 S 6/2005
 DE 40403048.3 S 1/2006
 DE 40602433 S 10/2006
 DE 40605461 S 3/2007
 DE 40606289 S 4/2007
 DE 40700532 S 5/2007
 EM 000019609-0001 S 7/2003
 EM 000019609-0002 S 7/2003
 EM 000068952-0001 S 1/2004
 EM 000136212-0001 S 5/2004
 EM 000154265-0009 S 6/2004
 EM 000154265-0010 S 6/2004
 EM 000154265-0013 S 6/2004
 EM 000241013-0001 S 12/2004
 EM 000245725-0001 S 1/2005
 EM 000267711-0001 S 2/2005
 EM 000291570-0003 S 4/2005
 EM 000239108-0001 * 5/2005
 EM 000283999-0002 S 5/2005
 EM 000312947-0005 S 6/2005
 EM 000211792-0001 * 8/2005
 EM 000211792-0002 * 8/2005
 EM 000364666-0002 S 8/2005
 EM 000364666-0003 S 8/2005
 EM 000369475-0004 S 8/2005
 EM 000342183-0009 S 9/2005
 EM 000151253-0002 S 10/2005
 EM 000151253-0003 S 10/2005
 EM 000151253-0005 S 10/2005
 EM 000151253-0031 S 10/2005
 EM 000241906-0001 * 12/2005
 EM 000250733-0001 S 12/2005
 EM 000250733-0002 S 12/2005
 EM 000250733-0003 S 12/2005

US D620,047 S

Page 3

EM 000250733-0004 S 12/2005
EM 000250733-0005 S 12/2005
EM 000250733-0007 S 12/2005
EM 000477153-0003 S 3/2006
EM 000241906-0002 S 7/2006
EM 000241906-0004 * 7/2006
EM 000498464-0001 S 8/2006
EM 000498464-0002 S 8/2006
EM 000498464-0003 S 8/2006
EM 000516406-0026 S 8/2006
EM 000558317-0003 S 8/2006
EM 000558317-0004 S 8/2006
EM 000590815-0001 S 10/2006
EM 000590815-0002 S 10/2006
EM 000605068-0001 * 11/2006
EM 000605068-0001 S 11/2006
EM 000605068-0002 S 11/2006
EM 000612106-0004 S 11/2006
EM 000648324-0002 * 2/2007
EM 000665419-0003 S 3/2007
EM 000713219-0002 S 5/2007
EM 000652284-0007 S 6/2007
EM 000681028-0001 S 6/2007
JP 1031418 S 2/1999
JP 2003-94884 A 4/2003
JP 2005-74823 A 3/2005
WO DM/047264 S 3/1999

WO DM/056055 * 6/2000
WO DM/055970 S 3/2001
WO DM/063350 S 2/2003
WO DM/064796 * 11/2003
WO DM/066679 S 3/2004
WO DM/065649 S 4/2004
WO DM/066055 S 11/2004
WO DM/066873 S 11/2004

OTHER PUBLICATIONS

Skeye Opaque #2730 pen by Senator, as shown on www.senatorpencatalogs.com, viewed Sep. 23, 2009 (3 pages).*

Prodir DS3, Twist Action Pen, www.amtmarketing.com, catalogue, Sep. 15, 2007.

Adsources, pens "Quill", www.adsources.com/pens/quill/index.htm, Sep. 12, 2007.

Pensrus, various Pens, www.pensrus.com, Sep. 16, 2007.

UMA, various pens (emotion, impuls, fresh, fresh-one), catalog 2007, p. 38-39.

UMA, various pens (bowy, bowy grip, bowy frozen, light, light F), catalog 2007, p. 58-59.

UMA, various pens (vario, vario grip, vario frozen, vario grip frozen), catalog 2007, p. 56-57.

Espace pens, 2 variants, Dec. 16, 2009.

* cited by examiner

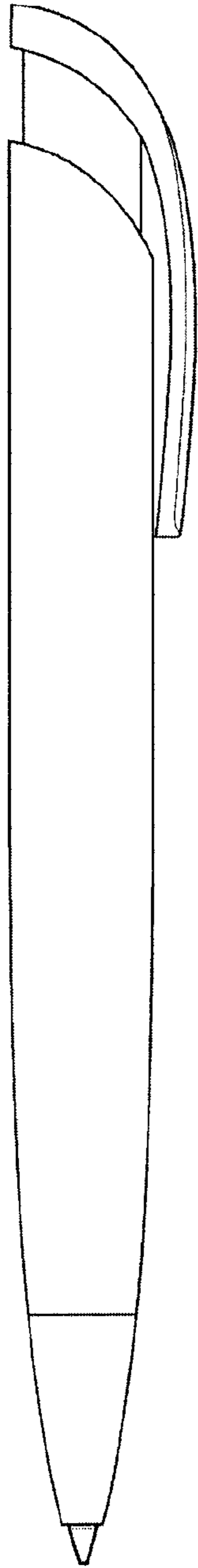


FIG. 1

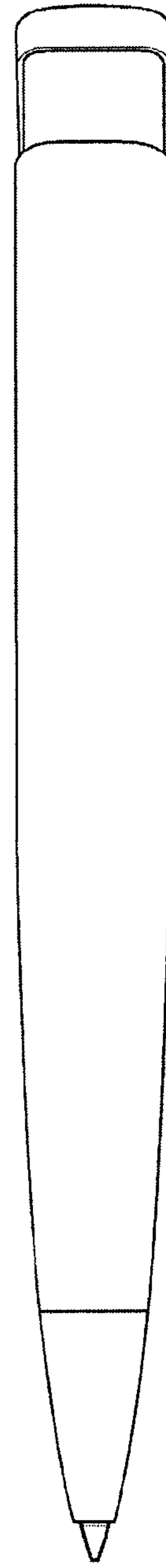


FIG. 2

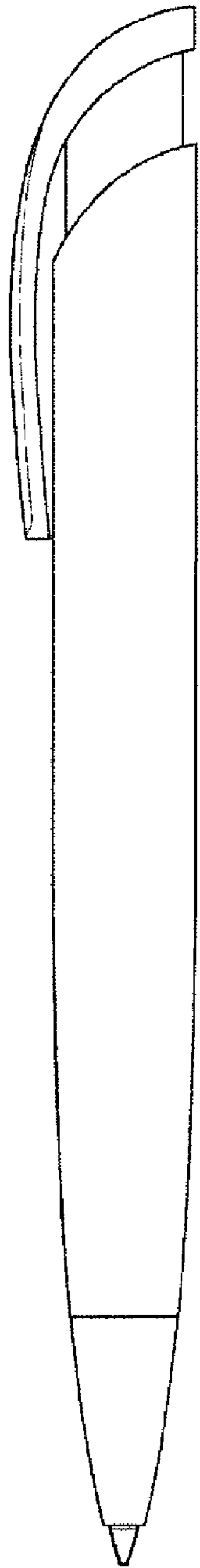


FIG. 3

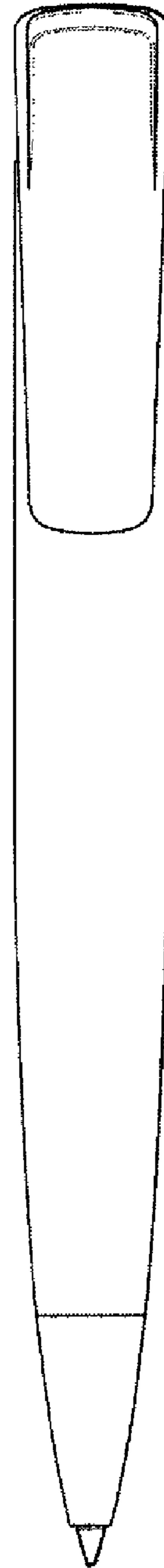


FIG. 4

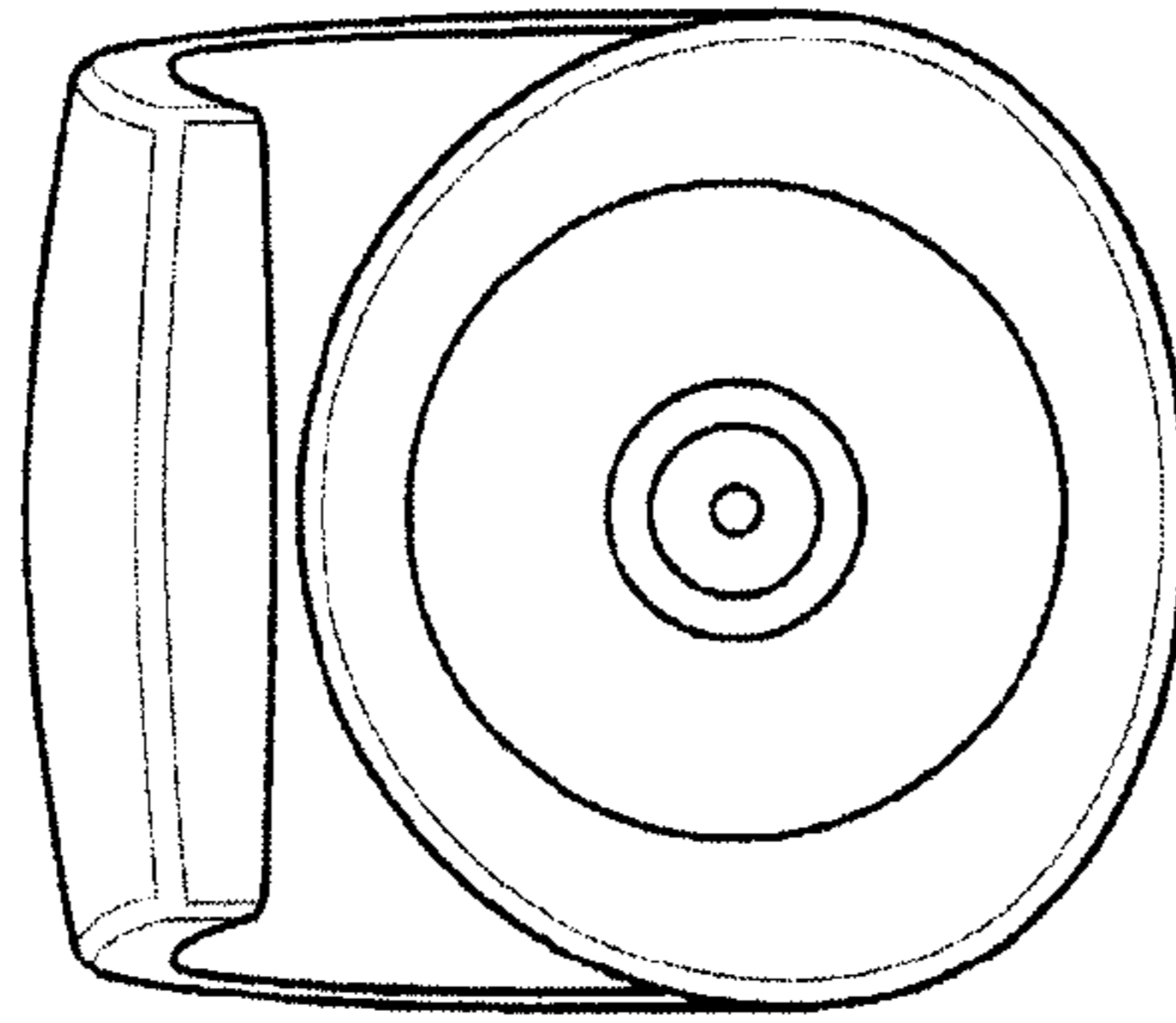


FIG. 5

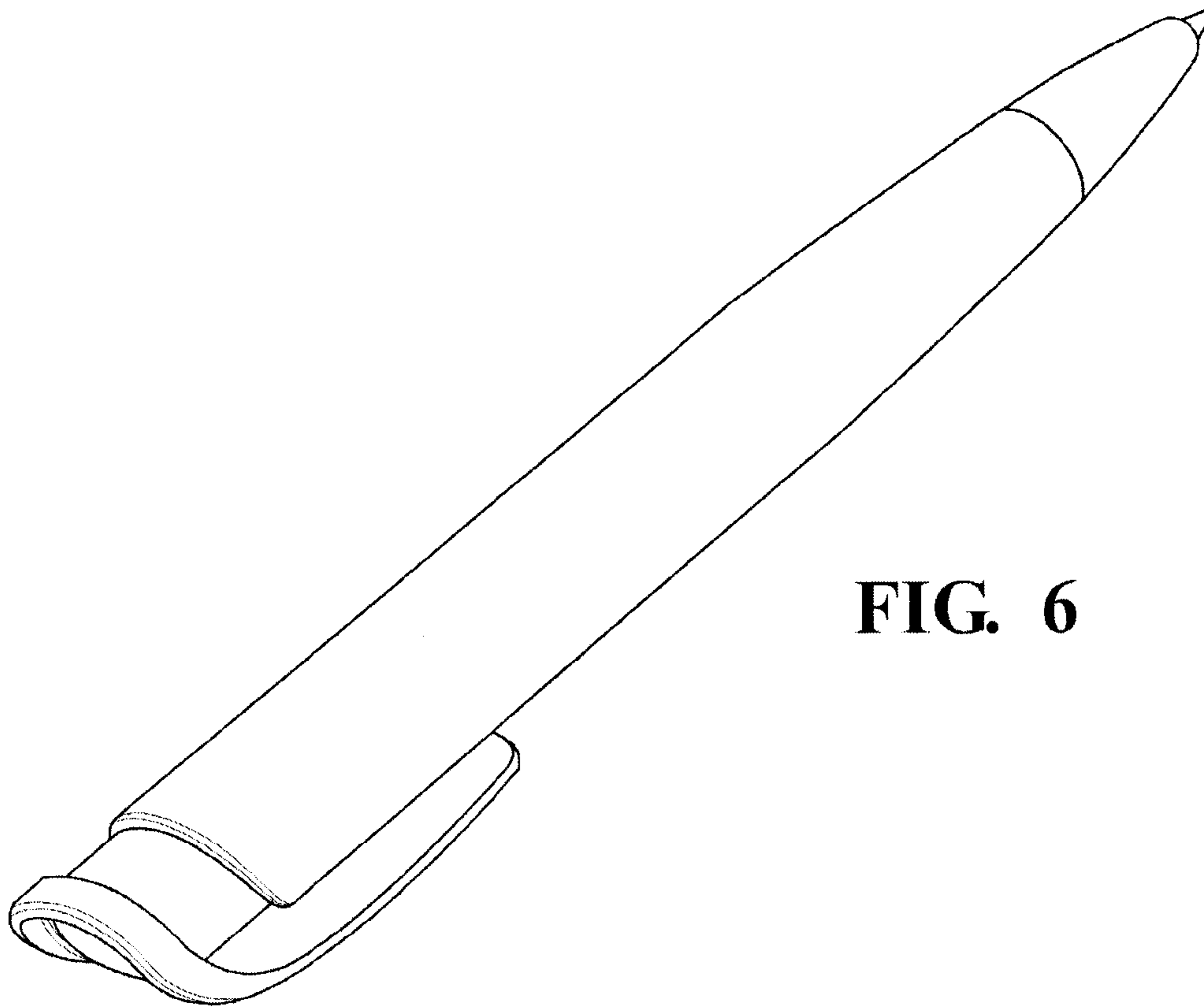


FIG. 6

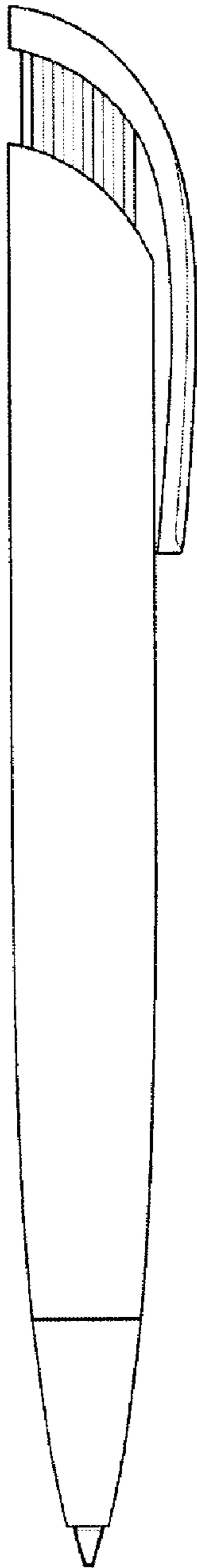


FIG. 7

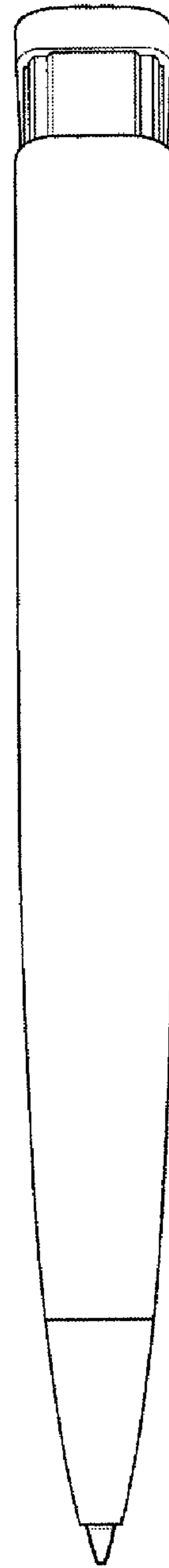


FIG. 8

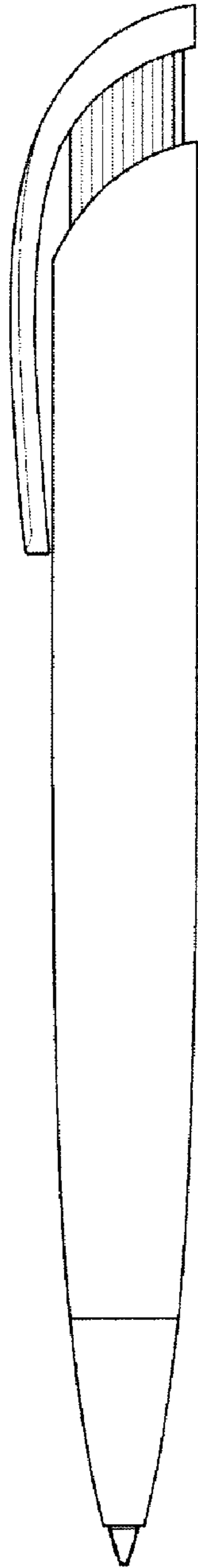


FIG. 9

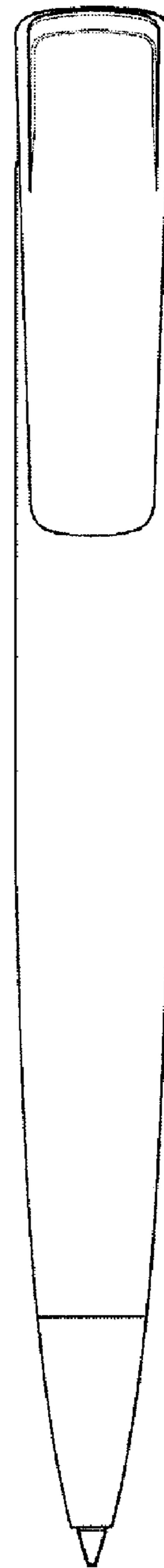


FIG. 10

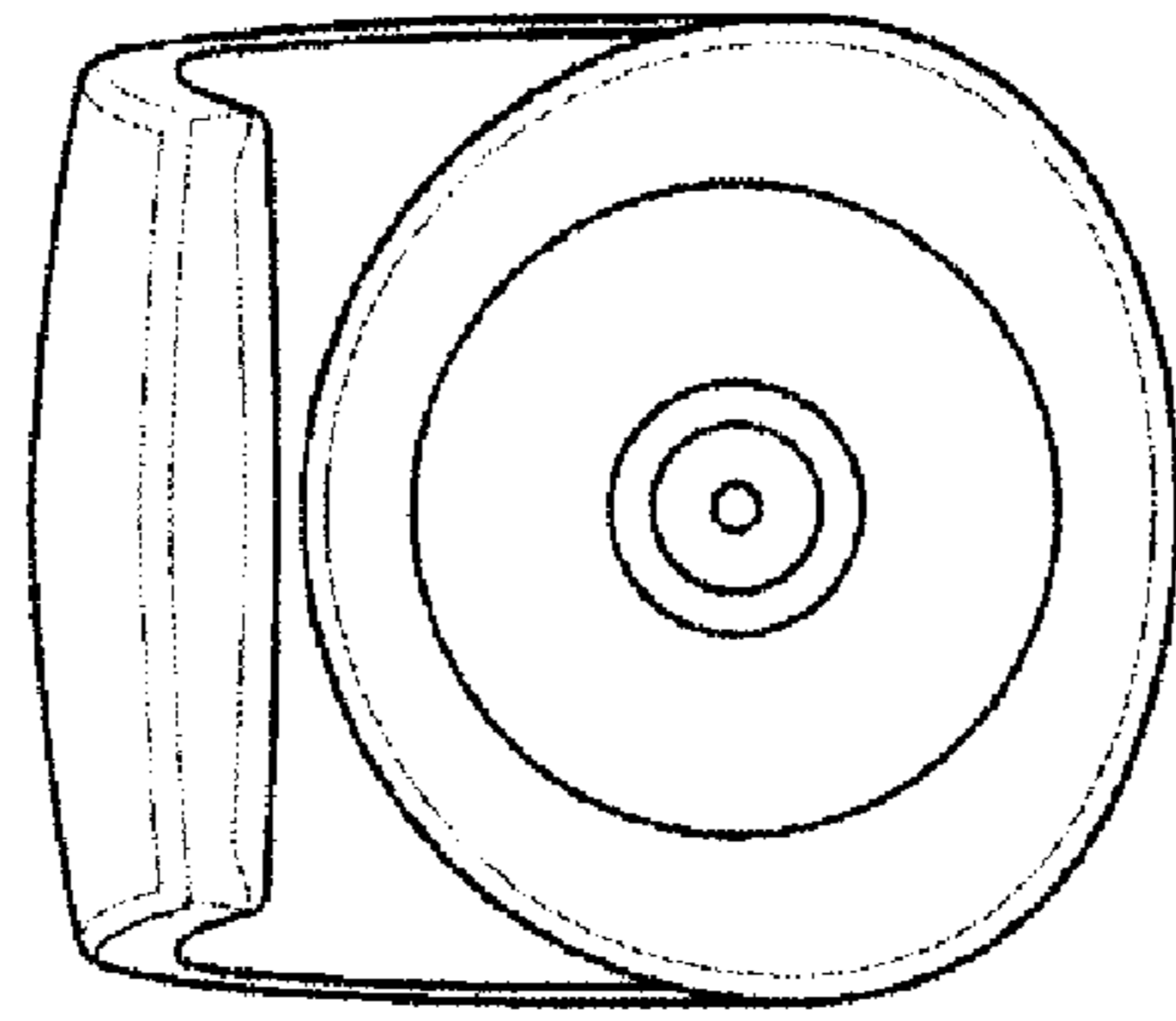


FIG. 11

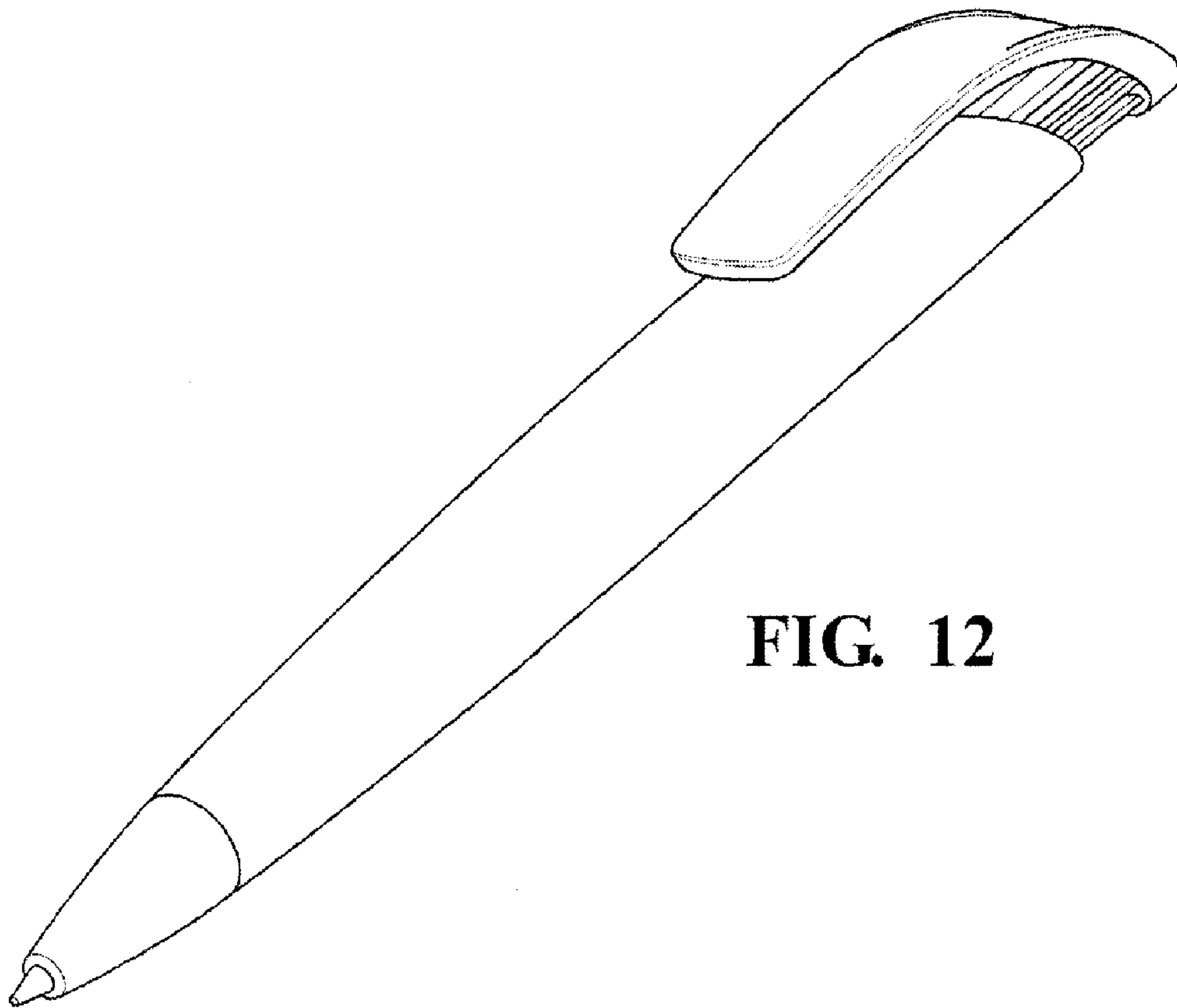


FIG. 12