



US00D620046S

(12) **United States Design Patent**
Brinkly

(10) **Patent No.:** **US D620,046 S**

(45) **Date of Patent:** **** Jul. 20, 2010**

(54) **DOCUMENT FEEDER**

D607,505 S * 1/2010 Sasaki et al. D18/55

(75) Inventor: **Richard L. Brinkly**, Camas, WA (US)

* cited by examiner

(73) Assignee: **Hewlett-Packard Development Company, L.P.**, Houston, TX (US)

Primary Examiner—Caron Veynar
Assistant Examiner—Garth Rademaker

(**) Term: **14 Years**

(57) **CLAIM**

(21) Appl. No.: **29/331,536**

We claim the ornamental design for a document feeder, as shown and described.

(22) Filed: **Jan. 27, 2009**

DESCRIPTION

(51) **LOC (9) Cl.** **18-99**

(52) **U.S. Cl.** **D18/49**

(58) **Field of Classification Search** D14/420-425;
D18/36-41, 44-56; 222/DIG. 1; 271/3.14,
271/8.1, 226, 278; 355/97, 98; 358/1.1;
399/1-7, 16, 75, 81, 107, 130, 155, 361,
399/365, 381-383, 388

FIG. 1 is a top, front, left side perspective view of a document feeder;

FIG. 2 is a top, front, right side perspective view thereof;

FIG. 3 is a top view thereof;

FIG. 4 the front view thereof;

FIG. 5 is a left side view thereof; and,

FIG. 6 is a right side view thereof.

See application file for complete search history.

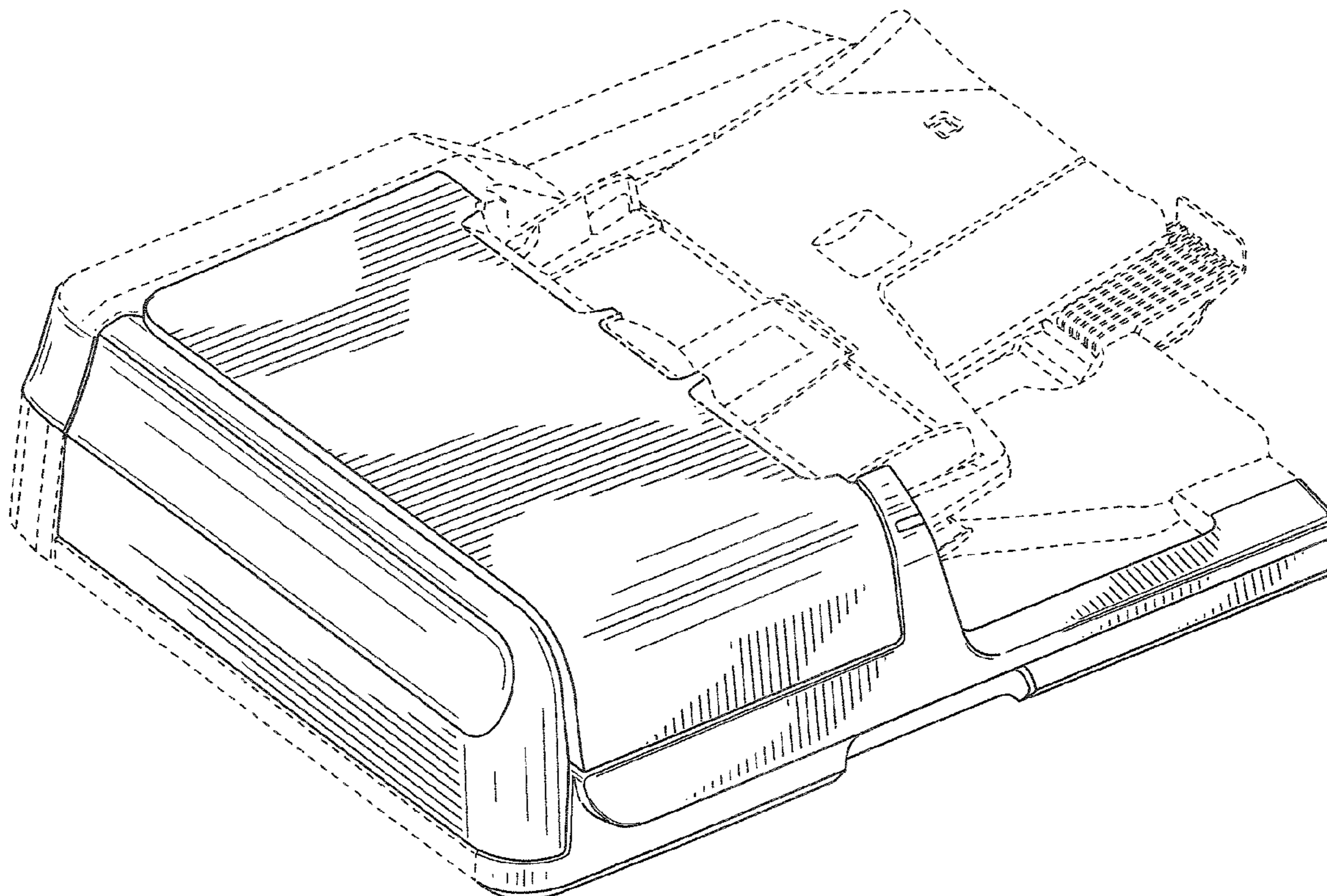
The evenly-spaced broken lines depict environmental subject matter and the unevenly-spaced broken lines depict the boundaries of the design, neither of which form any part of the claimed design.

(56) **References Cited**

U.S. PATENT DOCUMENTS

- D328,758 S * 8/1992 Isomoto D18/49
- D344,095 S * 2/1994 Isomoto et al. D18/49
- D350,769 S * 9/1994 Hattori et al. D18/49
- D564,018 S * 3/2008 Ishii et al. D18/49

1 Claim, 6 Drawing Sheets



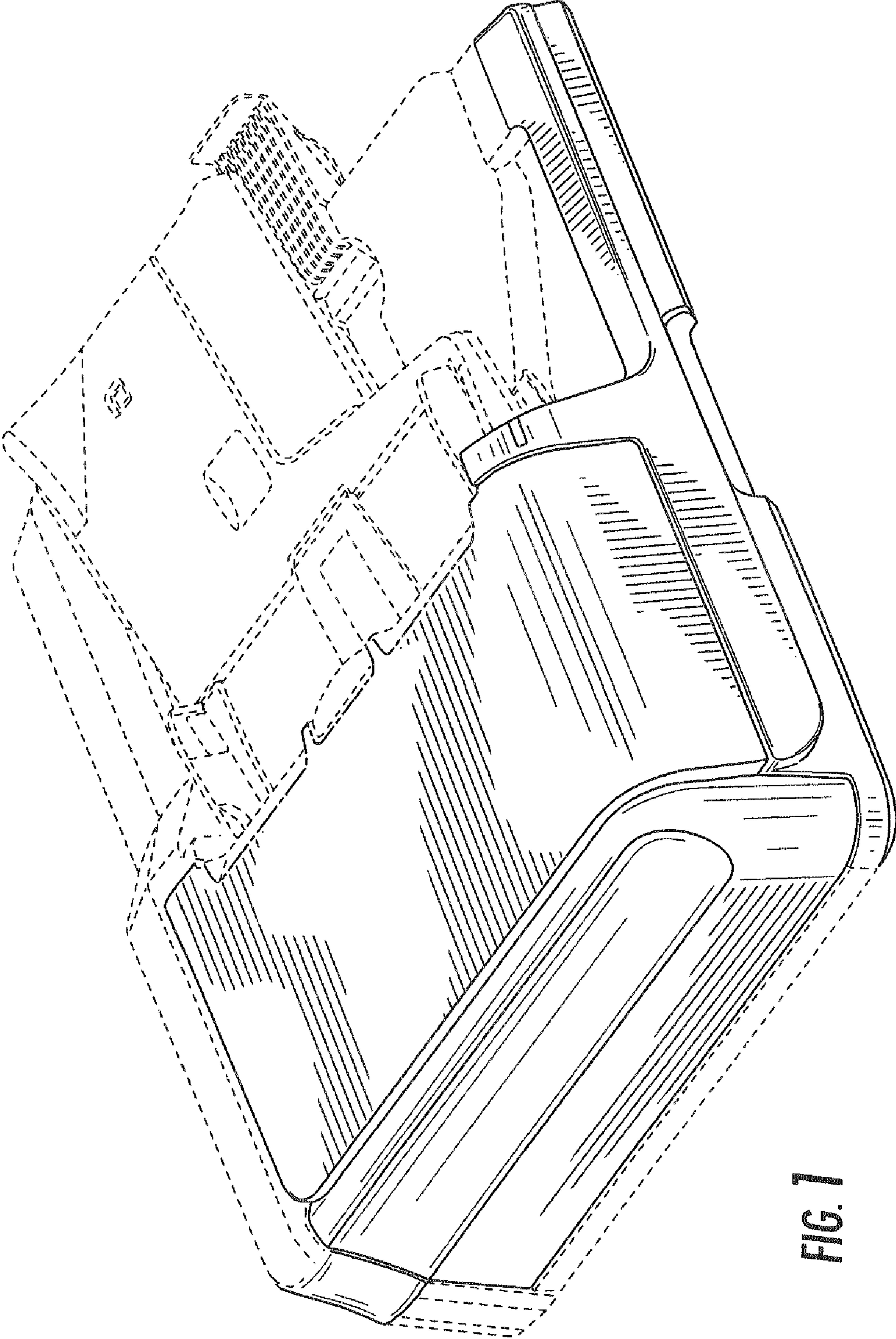


FIG. 1

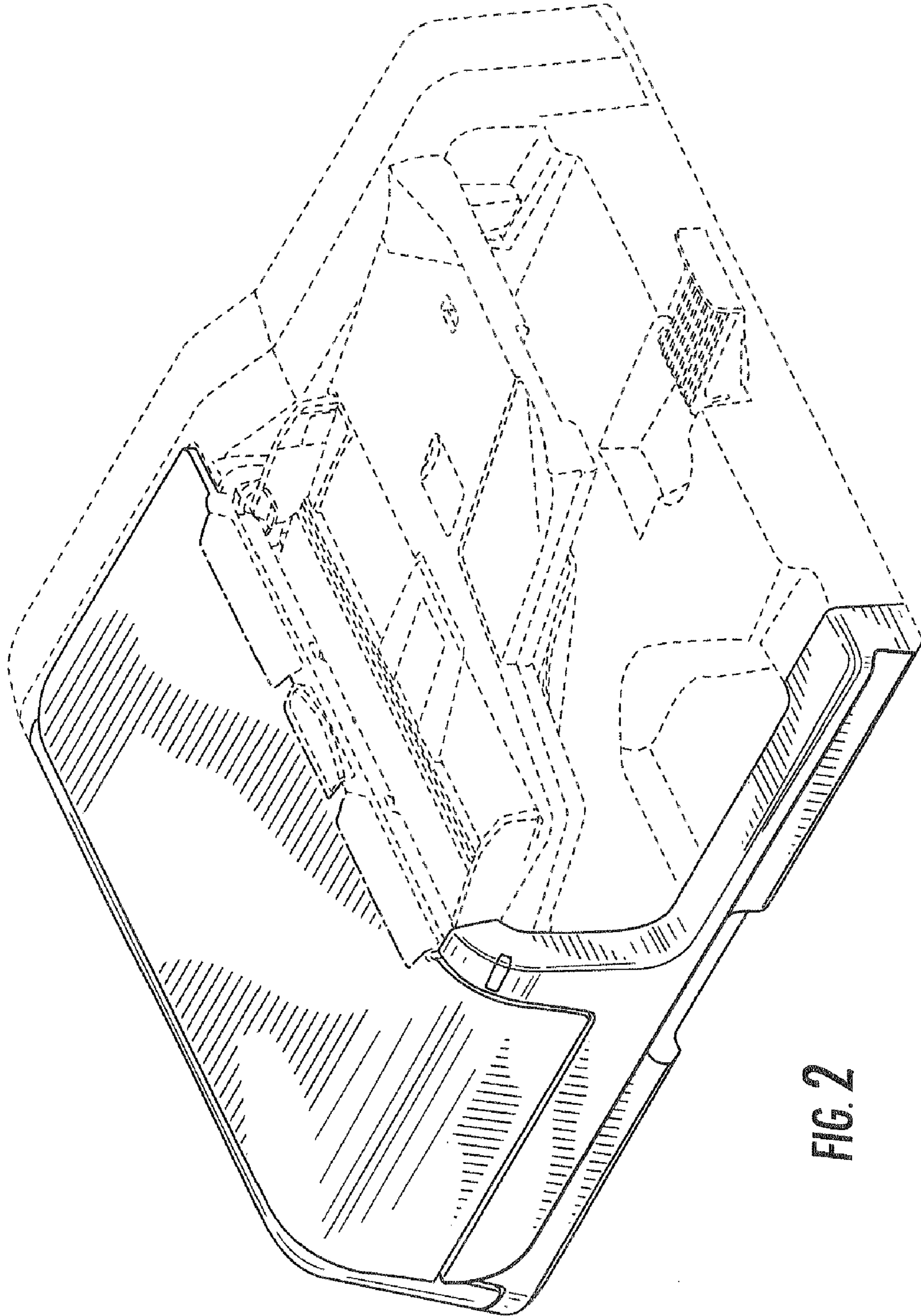


FIG. 2

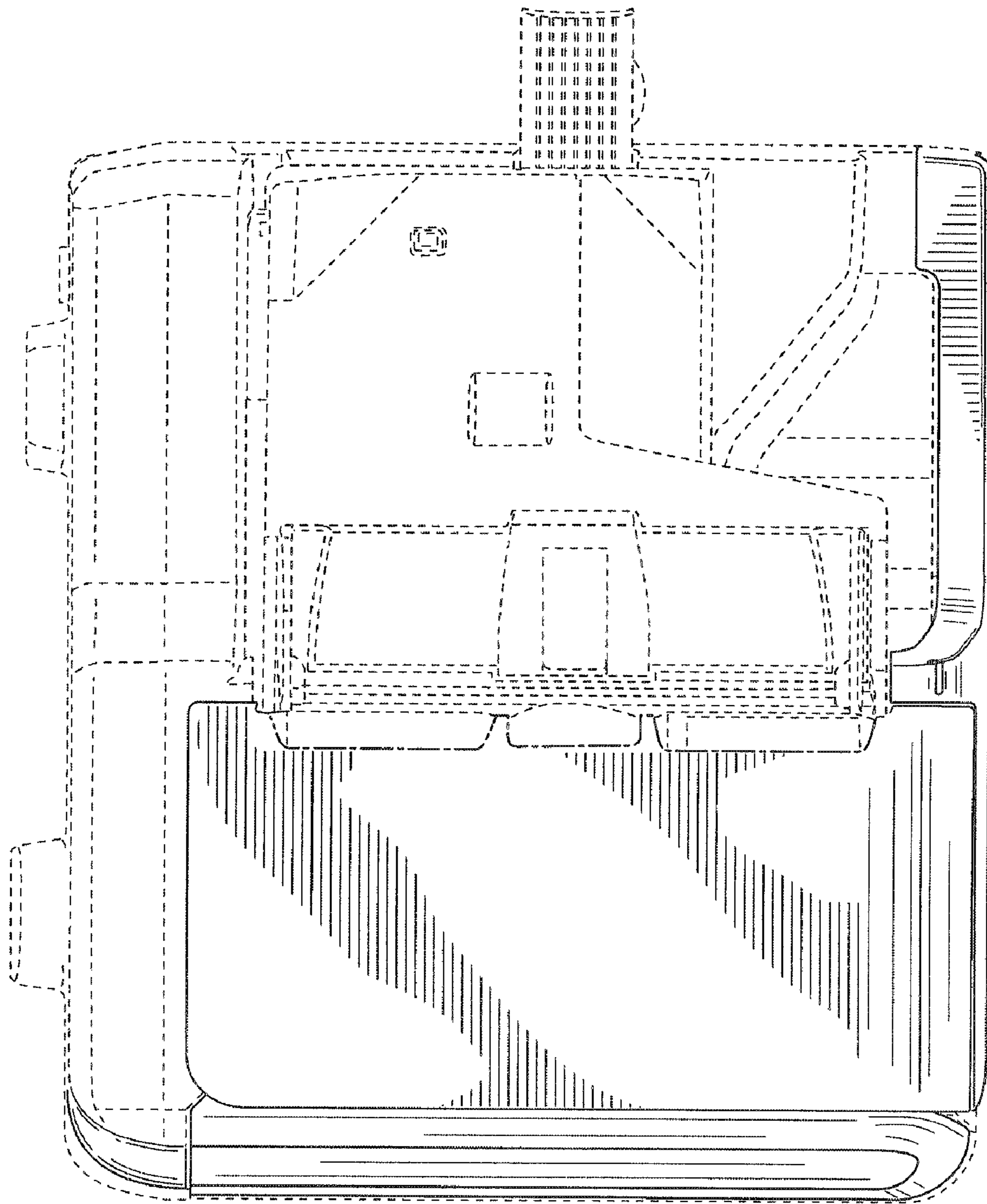


FIG. 3

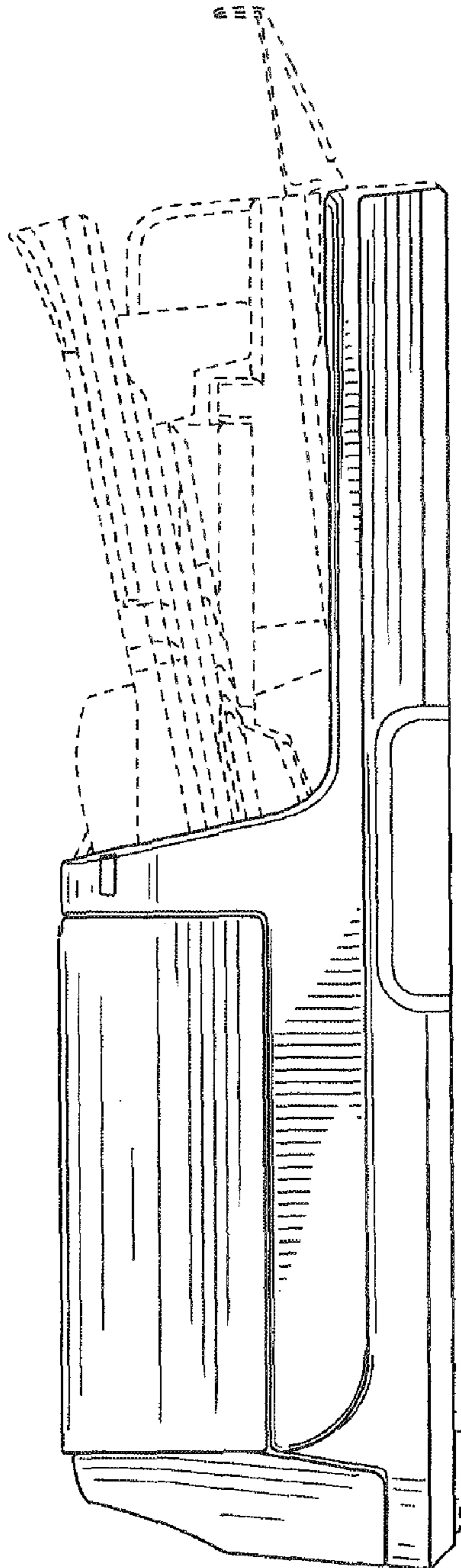


FIG. 4

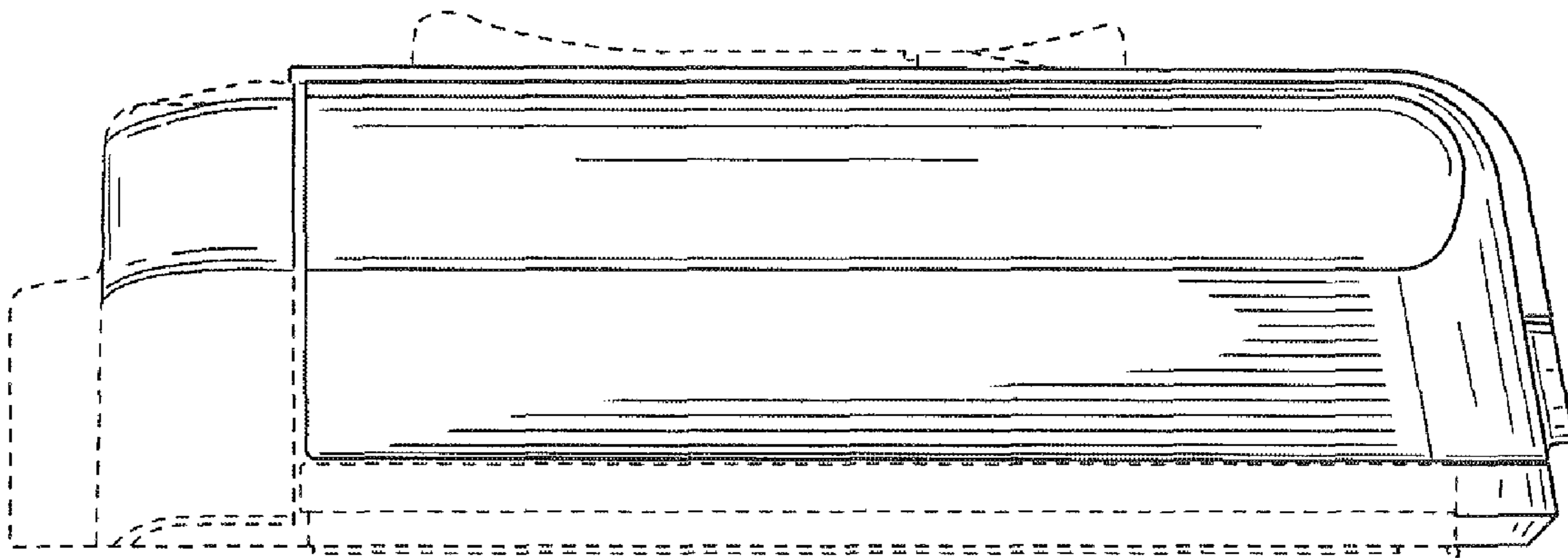


FIG. 5

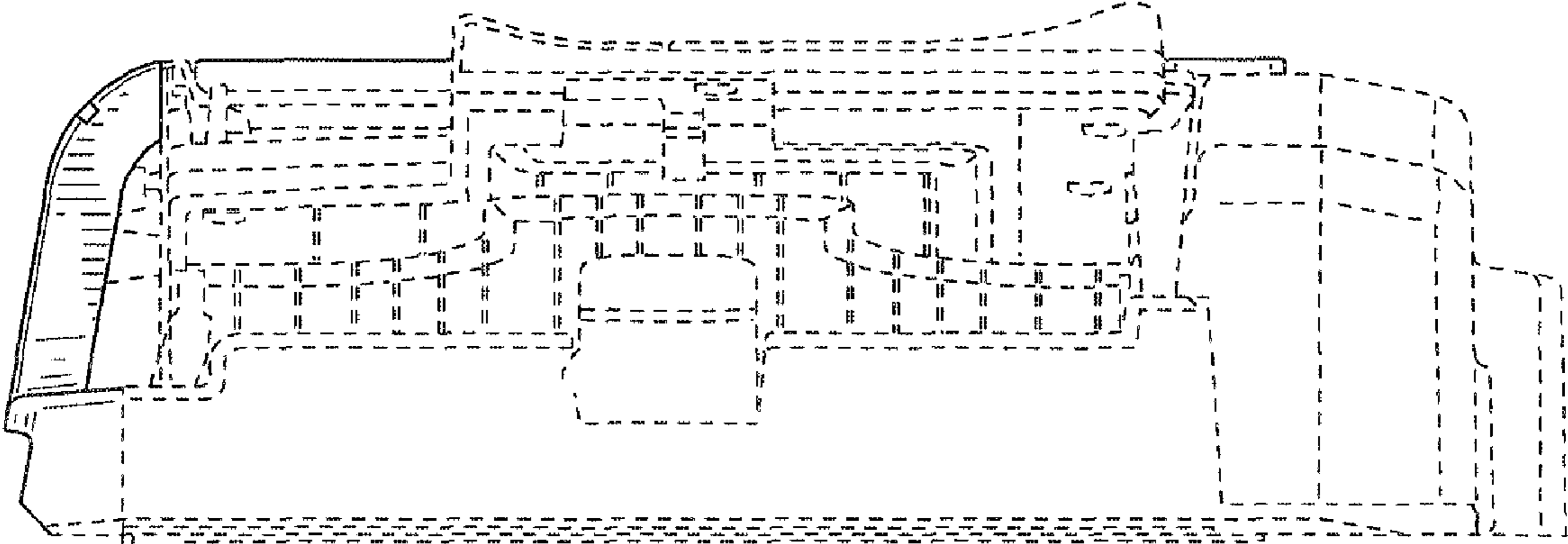


FIG. 6