



US00D620036S

(12) **United States Design Patent**  
**Obata**

(10) **Patent No.:** **US D620,036 S**

(45) **Date of Patent:** **\*\* Jul. 20, 2010**

(54) **CAMERA**

(75) Inventor: **Shinichi Obata**, Tokyo (JP)

(73) Assignee: **Sony Corporation**, Tokyo (JP)

(\*\*) Term: **14 Years**

(21) Appl. No.: **29/309,417**

(22) Filed: **Aug. 13, 2008**

(30) **Foreign Application Priority Data**

Feb. 15, 2008 (CN) ..... 2008 3 0006414

(51) **LOC (9) Cl.** ..... **16-01**

(52) **U.S. Cl.** ..... **D16/202**

(58) **Field of Classification Search** ..... D16/200–206,  
D16/208–209, 217–218; 348/373–376; 358/906,  
358/909.1; 396/535–541, 177–178, 354–359  
See application file for complete search history.

(56) **References Cited**

**U.S. PATENT DOCUMENTS**

D382,000 S *	8/1997	Watanabe	.....	D16/217
D388,110 S *	12/1997	Watarai et al.	.....	D16/217
D397,707 S *	9/1998	Naitou	.....	D16/202
6,393,225 B1 *	5/2002	Yamada	.....	396/535
D493,809 S *	8/2004	Ogura	.....	D16/202
D497,173 S *	10/2004	Ogura	.....	D16/202
D528,580 S	9/2006	Sumita		
D537,857 S *	3/2007	Nakamura	.....	D16/202
D558,808 S *	1/2008	Nakamura	.....	D16/202
D562,374 S	2/2008	Miyashita		
D565,623 S	4/2008	Yasutomi		
D567,835 S	4/2008	Sumita		

D568,363 S *	5/2008	Funakoshi	.....	D16/217
D579,039 S *	10/2008	Nakamura	.....	D16/202
D593,142 S *	5/2009	Yoshida	.....	D16/202
D594,892 S *	6/2009	Kamiya et al.	.....	D16/202
2006/0222357 A1 *	10/2006	Tomimoto	.....	396/177

\* cited by examiner

*Primary Examiner*—Ian Simmons

*Assistant Examiner*—Wan Laymon

(74) *Attorney, Agent, or Firm*—Rader, Fishman & Grauer, PLLC

(57) **CLAIM**

The ornamental design for a camera, as shown.

**DESCRIPTION**

The patent or application file contains at least one drawing executed in color. Copies of this patent or patent application publication with color drawing(s) will be provided by the Office upon request and payment of the necessary fee.

FIG. 1 is a front right top perspective view of a camera showing my new design;

FIG. 2 is a rear left top perspective view thereof;

FIG. 3 is a front elevational view thereof;

FIG. 4 is a rear elevational view thereof;

FIG. 5 is a left side view thereof;

FIG. 6 is a right side elevational view thereof;

FIG. 7 is a top plan view thereof; and,

FIG. 8 is a bottom plan view thereof.

**1 Claim, 8 Drawing Sheets**  
**(8 of 8 Drawing Sheet(s) Filed in Color)**

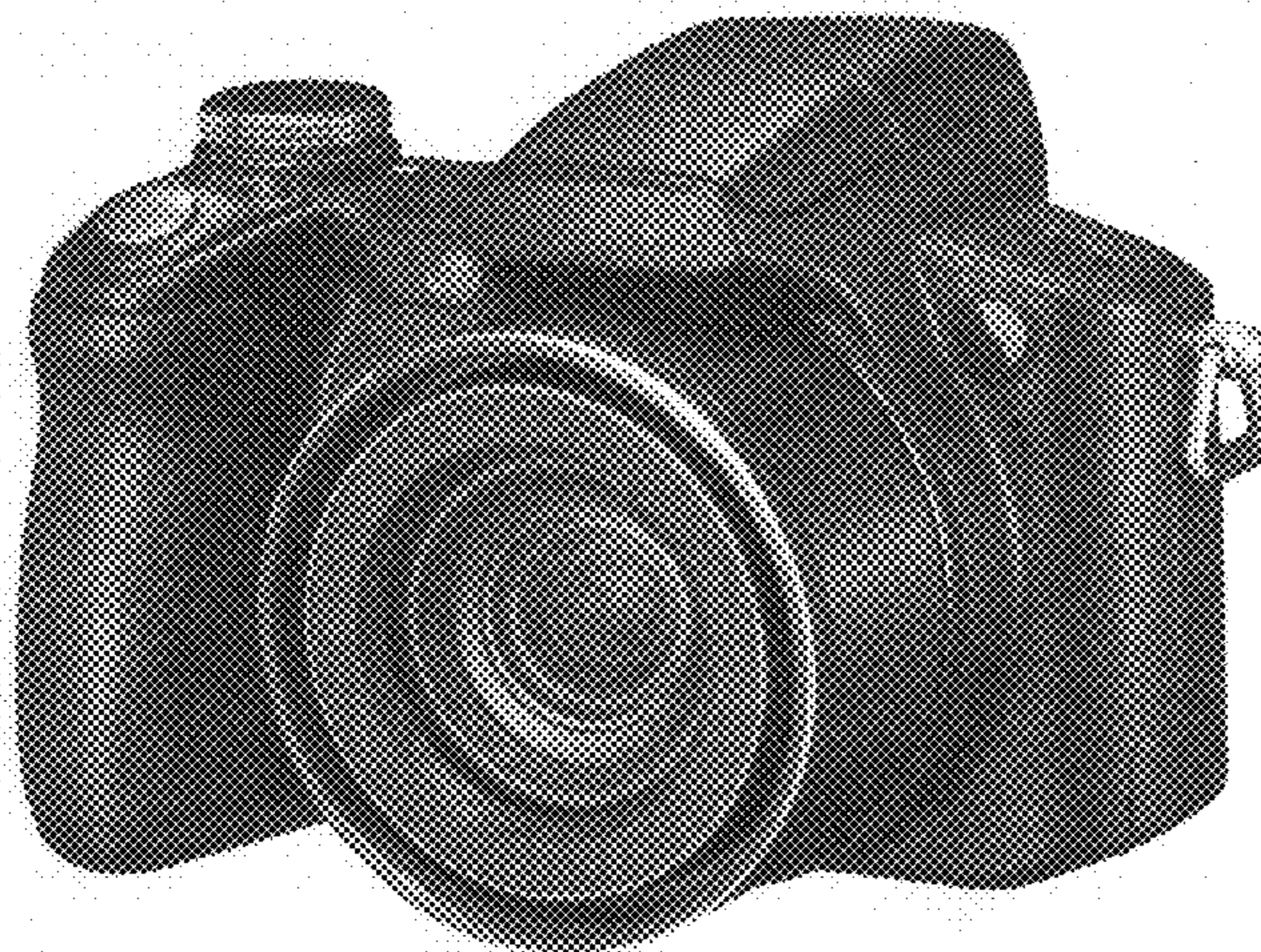






FIG. 1





FIG.2



FIG.3

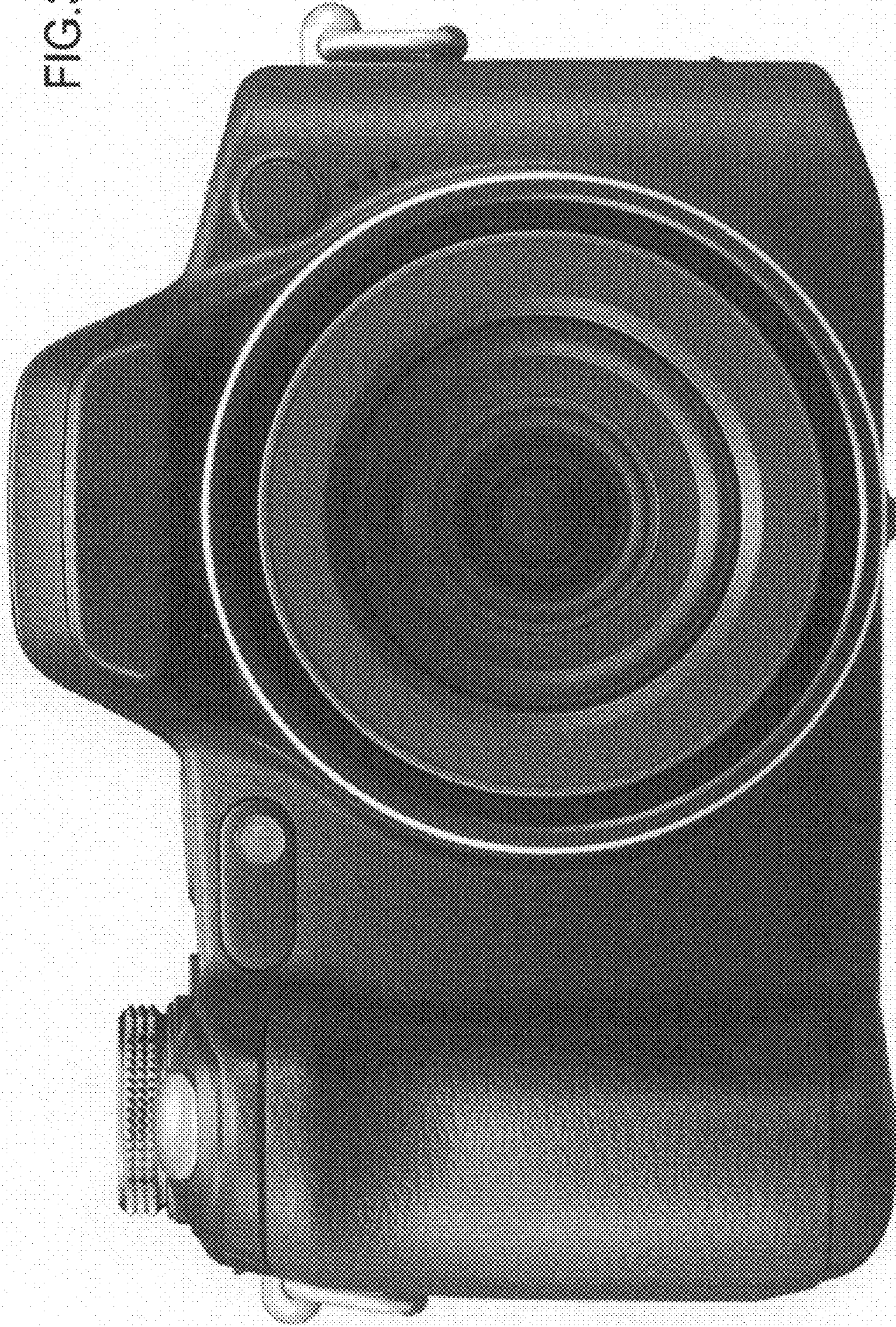




FIG.4

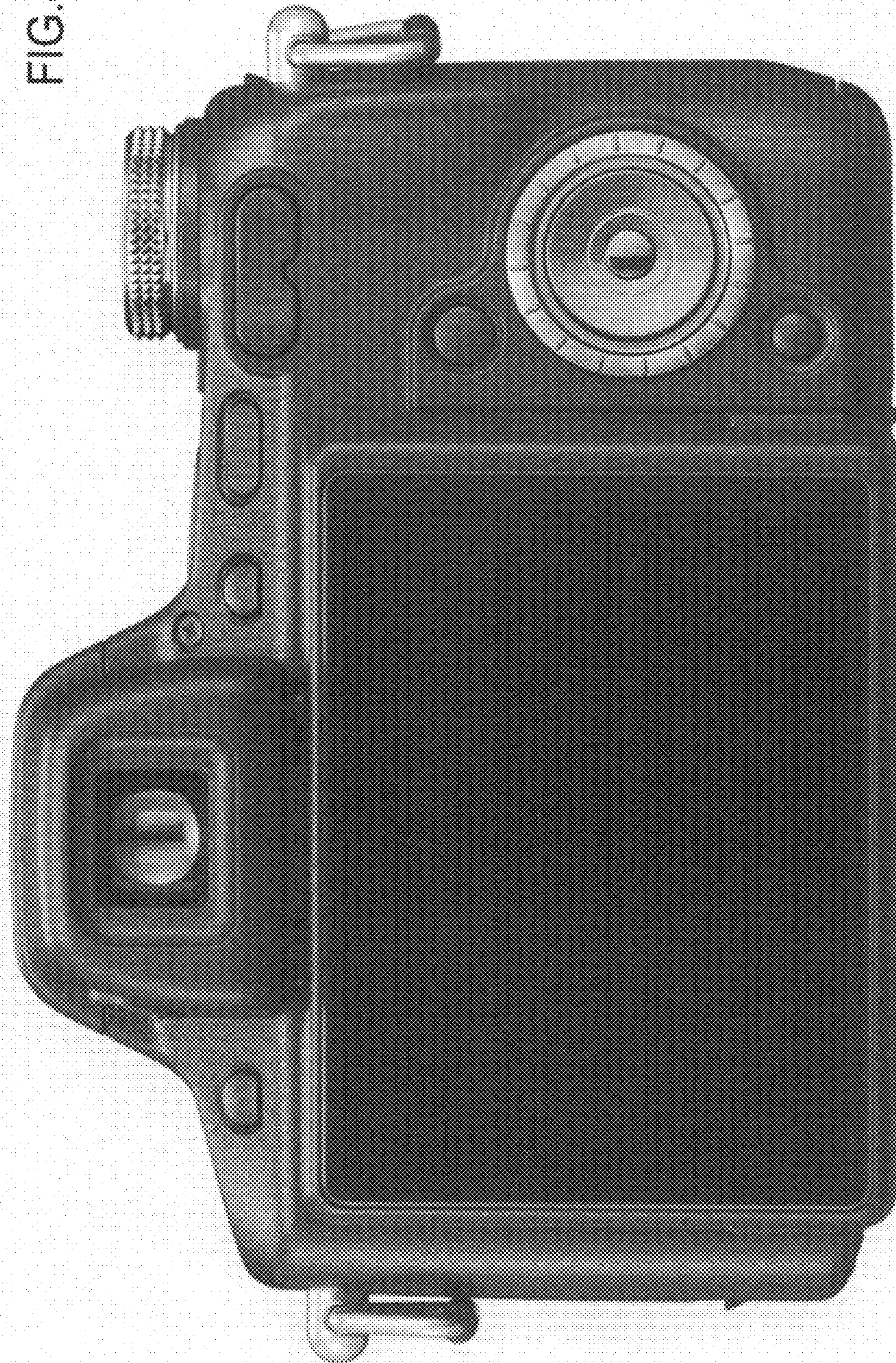




FIG. 5





FIG. 6





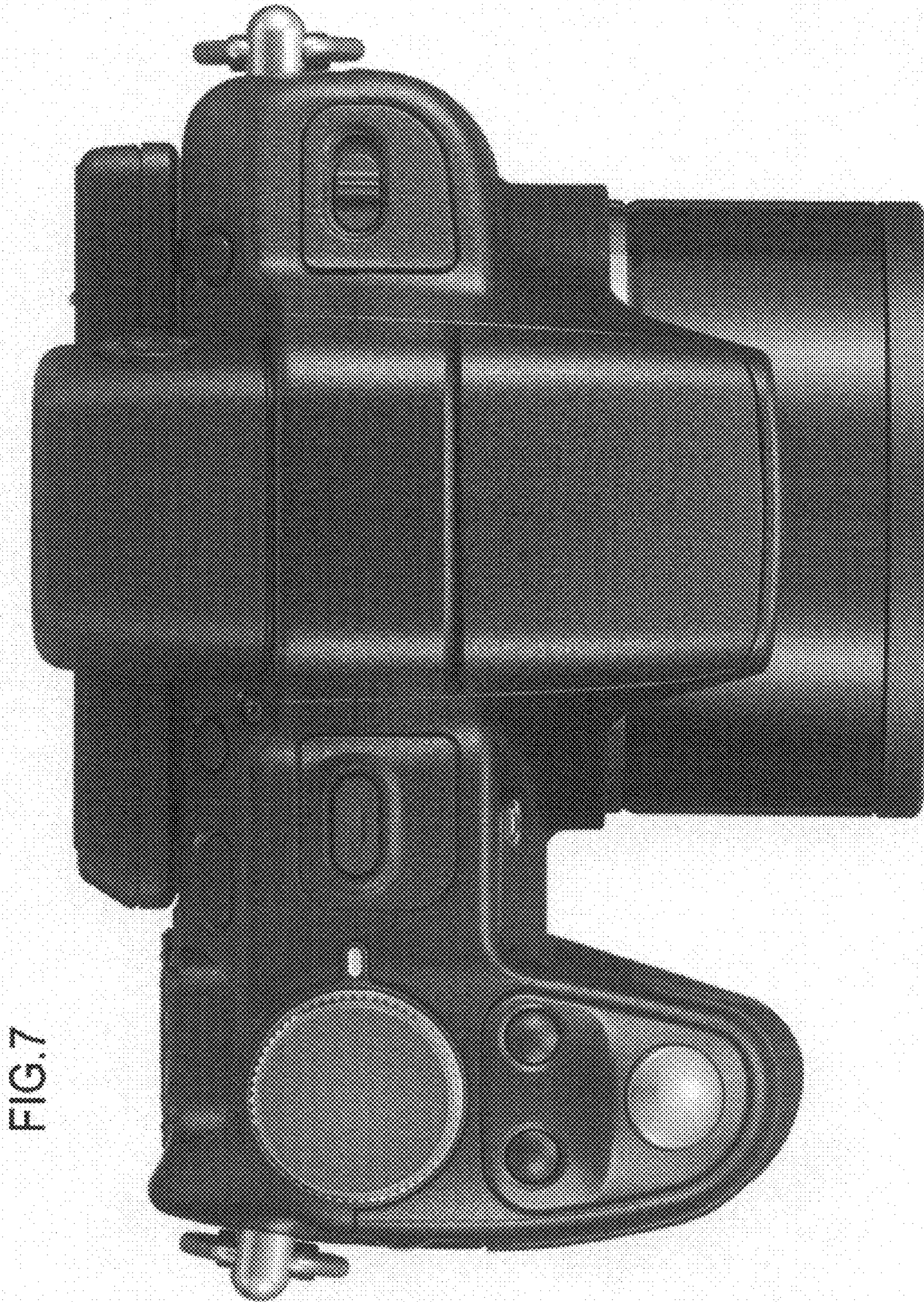


FIG. 7



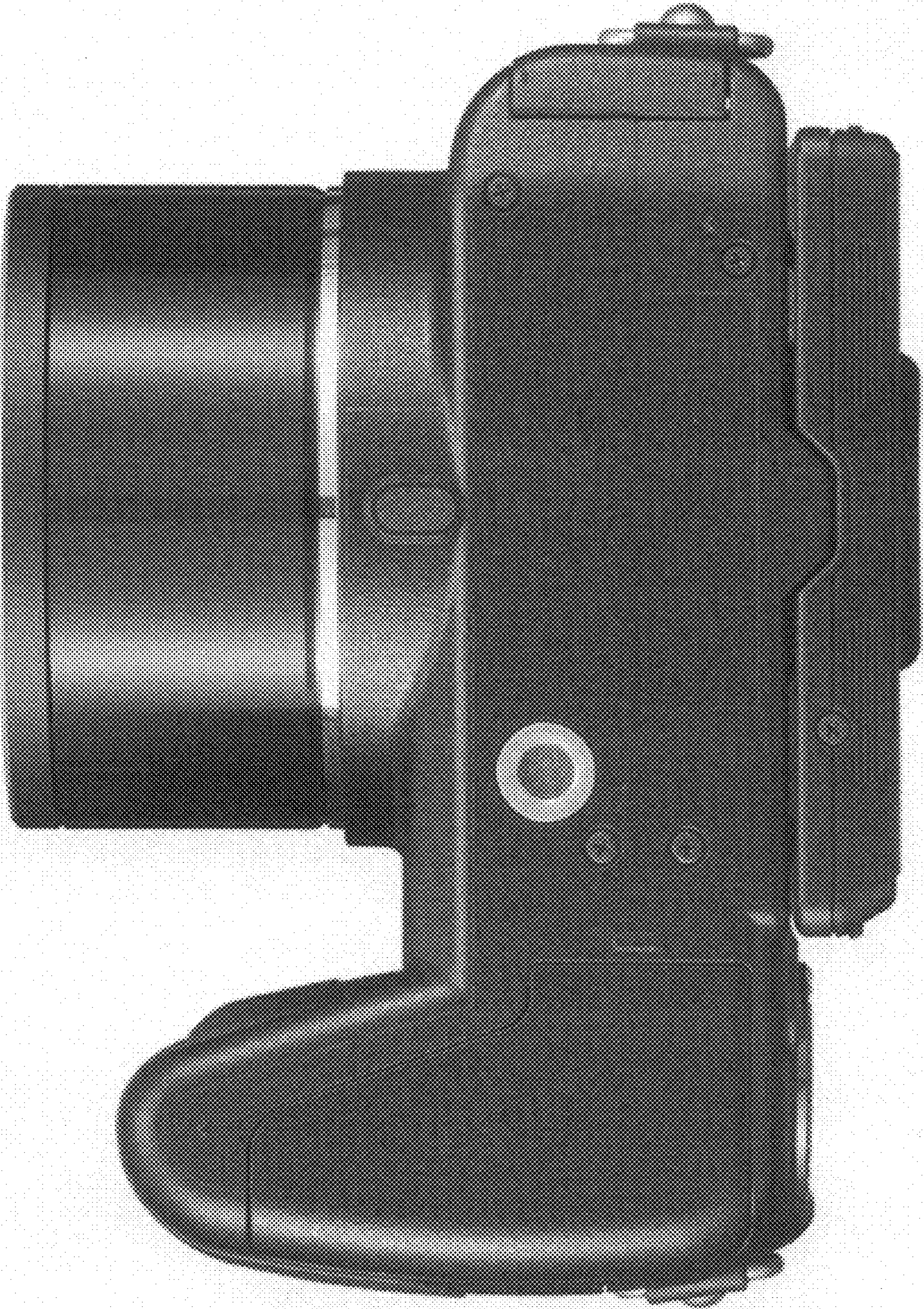


FIG.8