



US00D620035S

(12) **United States Design Patent**
Eades

(10) **Patent No.:** **US D620,035 S**
(45) **Date of Patent:** **** Jul. 20, 2010**

(54) **HOLE SAW EXTENSION CYLINDER TOOL BIT**

(76) Inventor: **Robert O. Eades**, 3603 Fleetwood Dr., Austin, TX (US) 78704

(**) Term: **14 Years**

(21) Appl. No.: **29/355,117**

(22) Filed: **Feb. 2, 2010**

(51) **LOC (9) Cl.** **15-09**

(52) **U.S. Cl.** **D15/139**

(58) **Field of Classification Search** D8/70;
D15/138, 139, 140; 125/20; 408/36, 69,
408/75, 79, 80, 81, 82, 97, 103, 104, 105,
408/110, 200–225, 703

See application file for complete search history.

(56) **References Cited**

U.S. PATENT DOCUMENTS

3,778,179	A	12/1973	Rivas	
4,586,233	A	5/1986	Markisello	
5,366,326	A	11/1994	Converse	
5,413,437	A *	5/1995	Bristow	408/1 R
D392,297	S	3/1998	Brutscher	
5,820,315	A	10/1998	Collard	
6,048,141	A *	4/2000	Freeman	408/201
6,065,909	A	5/2000	Cook	
6,171,033	B1 *	1/2001	Wrobel	408/239 R
6,514,017	B2 *	2/2003	DeBlasio	408/1 R

D499,002	S	11/2004	Troxell	
7,237,984	B1	7/2007	Guzda et al.	
2003/0024356	A1 *	2/2003	Kozak	81/490
2007/0231090	A1	10/2007	Sherry	

* cited by examiner

Primary Examiner—Sandra Snapp
Assistant Examiner—Patricia Palasik

(57) **CLAIM**

The ornamental design for a hole saw extension cylinder tool bit, as shown and described.

DESCRIPTION

FIG. 1 is a front perspective view of a hole saw extension cylinder tool bit showing my new design;

FIG. 2 is a back perspective view thereof;

FIG. 3 is a side view thereof;

FIG. 4 is a front view thereof;

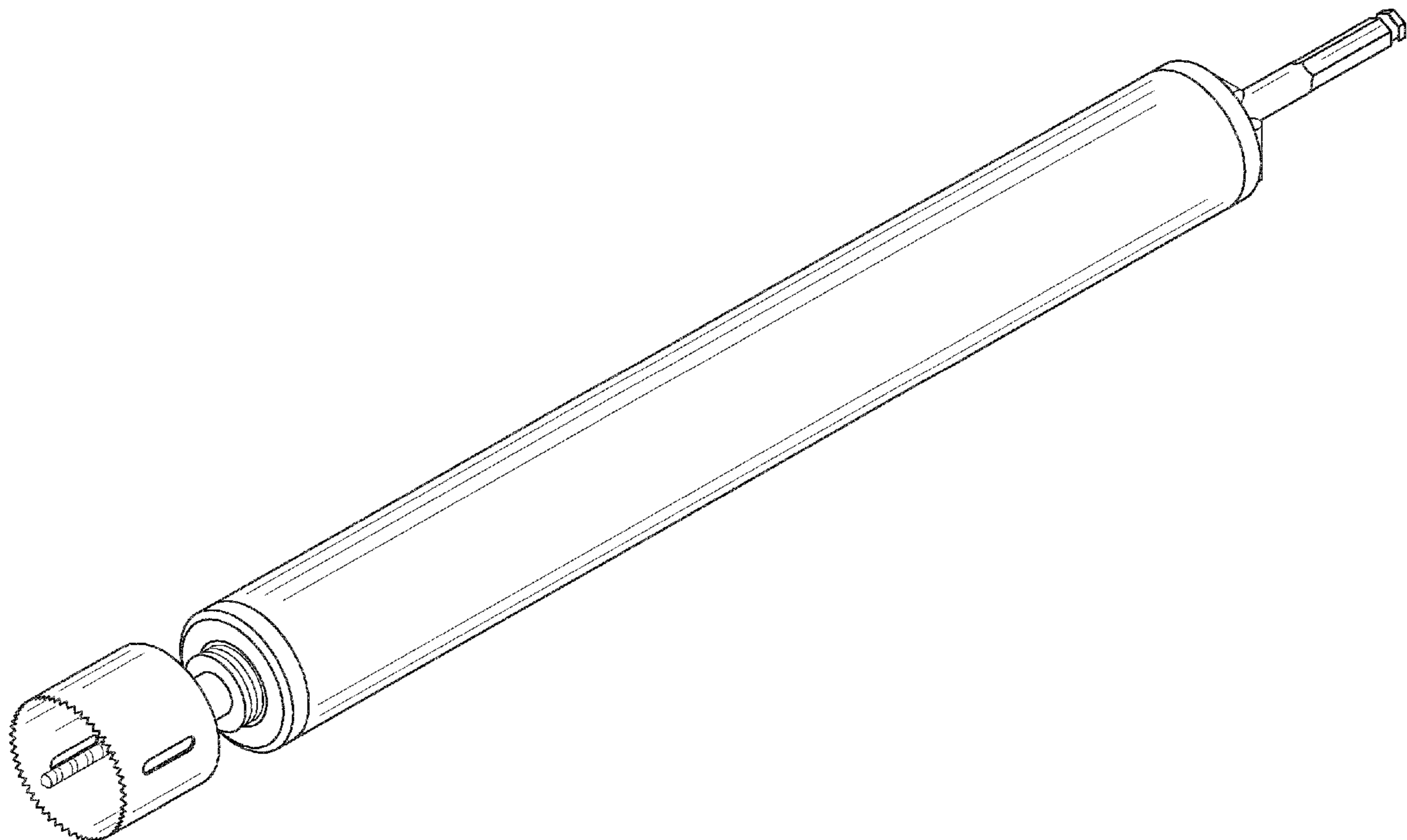
FIG. 5 is a back view thereof; and,

FIG. 6 is a back perspective view thereof.

In FIG. 6, the broken lines showing of environmental structure for purposes of illustrating the hole saw extension cylinder tool bit in a condition of use.

The broken lines and the structure they depict form no part of the claimed design.

1 Claim, 4 Drawing Sheets



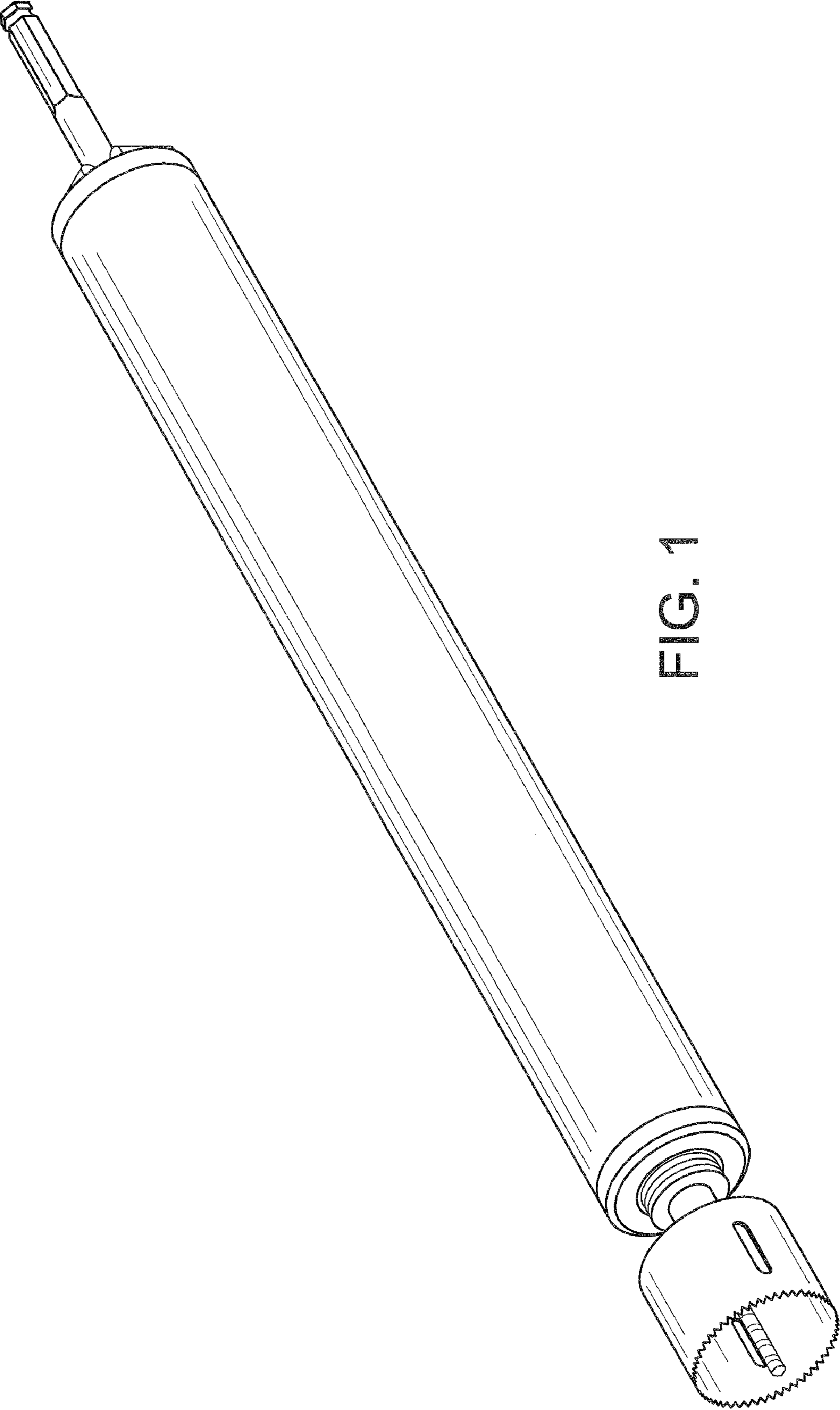


FIG. 1

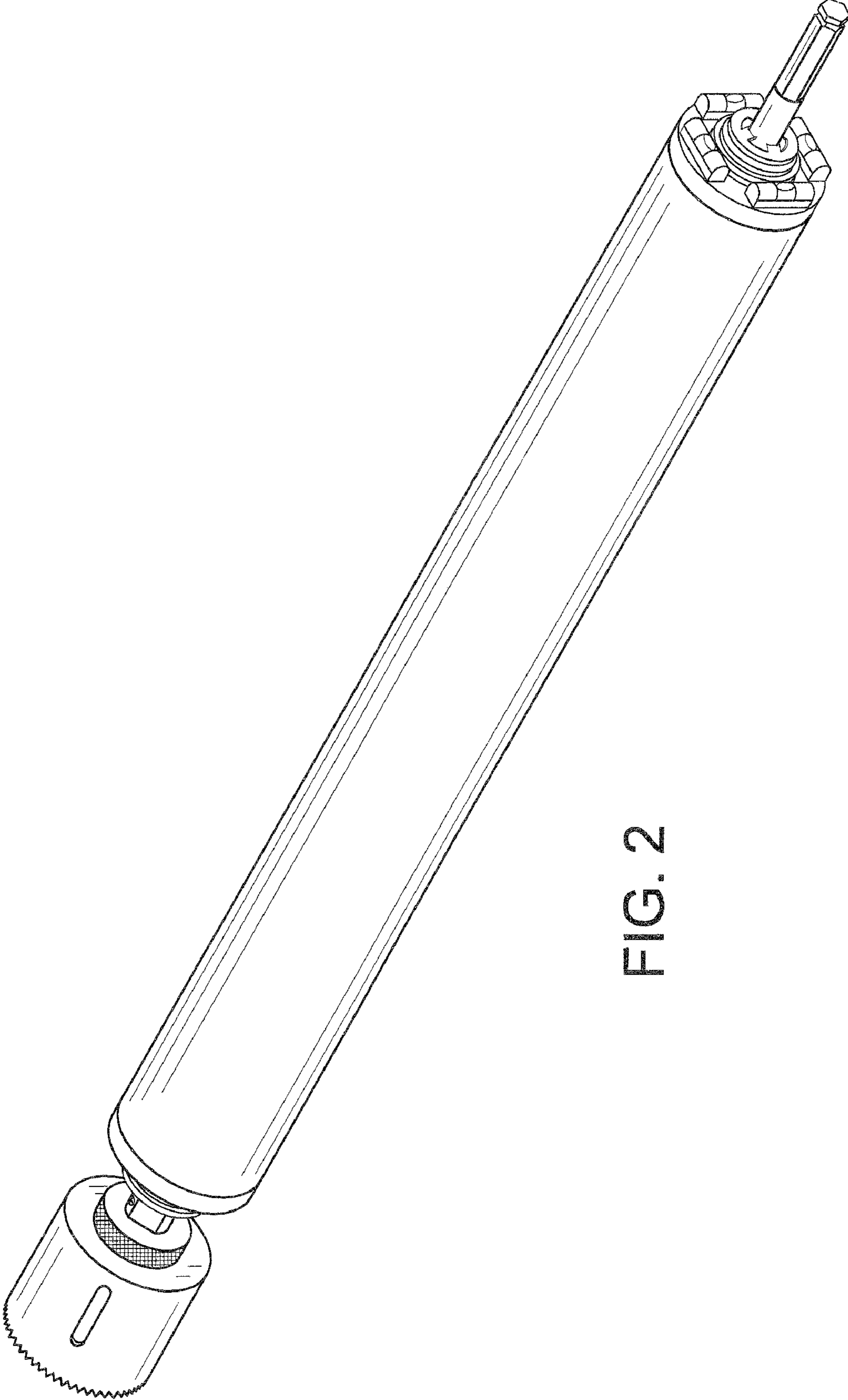


FIG. 2

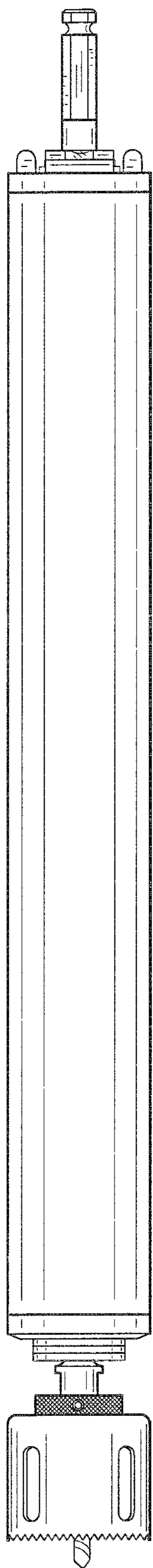


FIG. 3

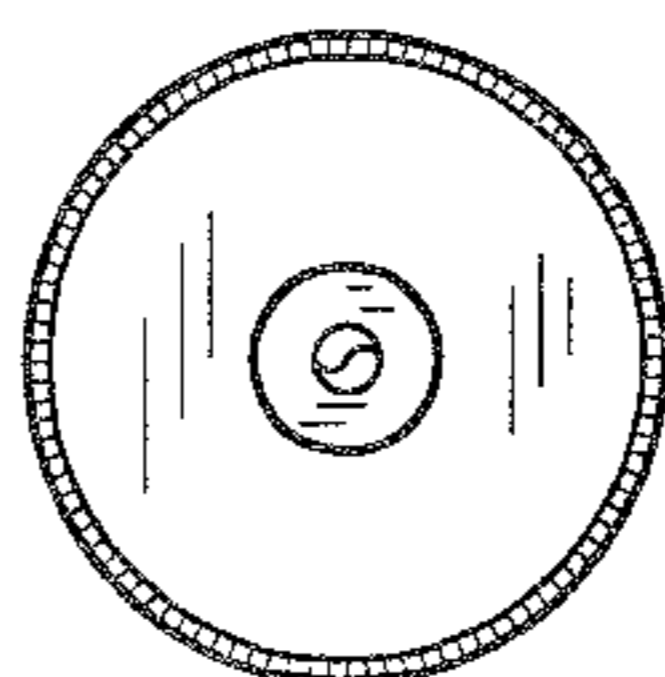


FIG. 4

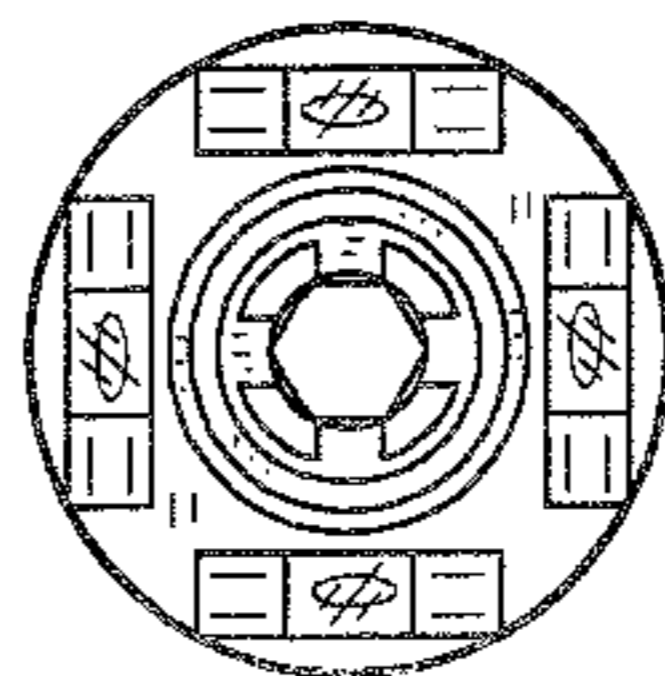


FIG. 5

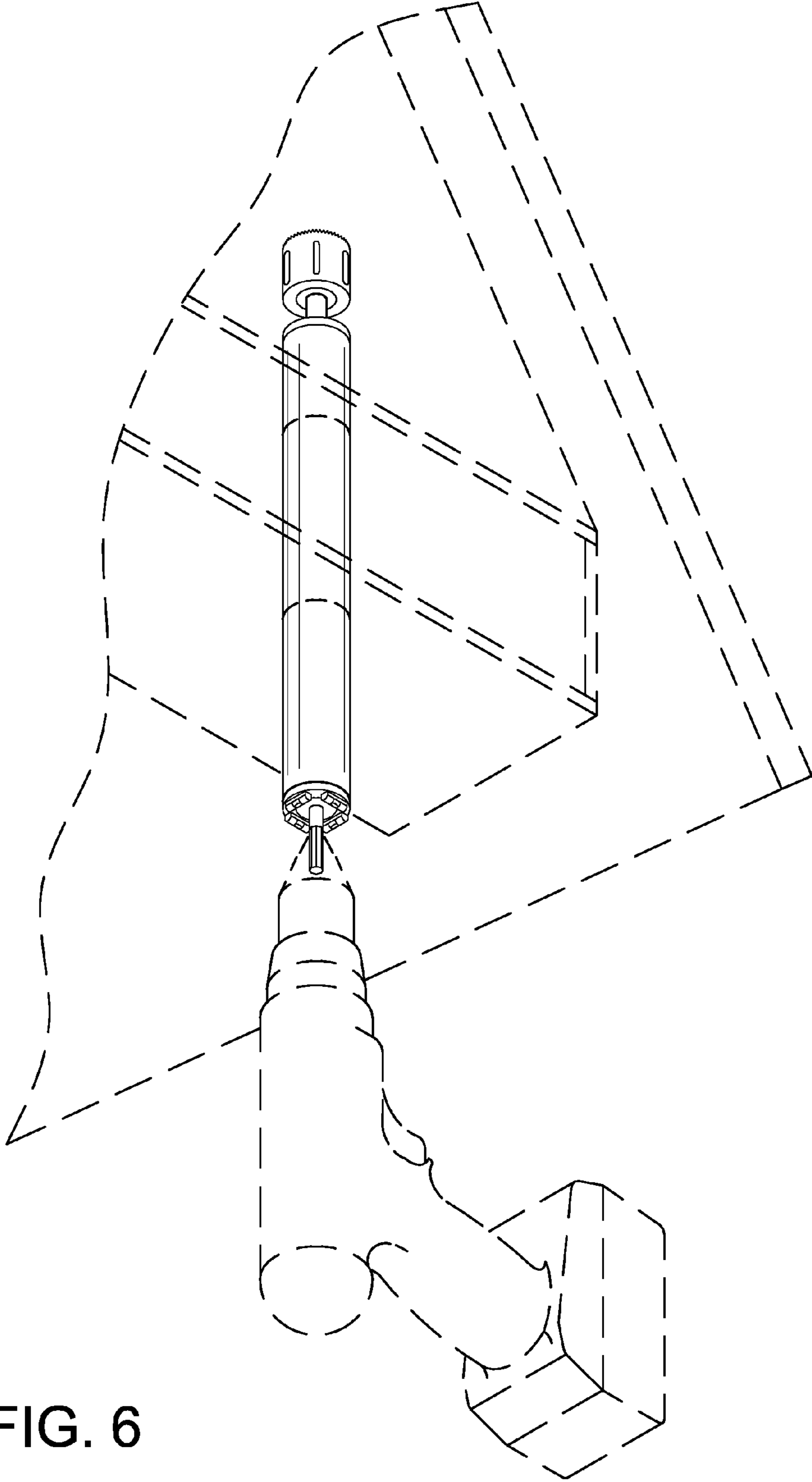


FIG. 6