

US00D620033S

(12) **United States Design Patent**
Fujiwara et al.

(10) **Patent No.:** **US D620,033 S**
(45) **Date of Patent:** **** Jul. 20, 2010**

(54) **MITER SAW**

(75) Inventors: **Yoshihiro Fujiwara**, Aichi-ken (JP);
Katsuhiko Sasaki, Aichi-ken (JP);
Masahiko Inai, Aichi-ken (JP)

(73) Assignee: **Makita Corporation**, Anjo-Shi (JP)

(**) Term: **14 Years**

(21) Appl. No.: **29/346,191**

(22) Filed: **Oct. 28, 2009**

(30) **Foreign Application Priority Data**

May 28, 2009 (JP) 2009-011934

(51) **LOC (9) Cl.** **15-09**

(52) **U.S. Cl.** **D15/133**

(58) **Field of Classification Search** D8/61,
D8/64-69; D15/133, 134; 30/377-378,
30/388-391; 83/377, 378, 388, 397, 468.3,
83/469

See application file for complete search history.

(56) **References Cited**

U.S. PATENT DOCUMENTS

D348,272 S * 6/1994 Brickner D15/133
D374,803 S * 10/1996 Terpstra et al. D15/133
D487,754 S * 3/2004 Kao D15/133
6,758,122 B2 * 7/2004 Kao 83/379
6,779,428 B2 * 8/2004 Kao 83/469

D513,271 S * 12/2005 Ozawa et al. D15/133
2008/0216627 A1 * 9/2008 Taylor et al. 83/468.3

FOREIGN PATENT DOCUMENTS

JP S-D1358882 5/2009

* cited by examiner

Primary Examiner—Sandra Snapp

Assistant Examiner—Patricia Palasik

(74) *Attorney, Agent, or Firm*—Oliff & Berridge, PLC

(57) **CLAIM**

The ornamental design for a miter saw, as shown and described.

DESCRIPTION

FIG. 1 is a perspective view of top, front and right side of a miter saw showing our new design;

FIG. 2 is a front view thereof;

FIG. 3 is a rear view thereof;

FIG. 4 is a top plan view thereof;

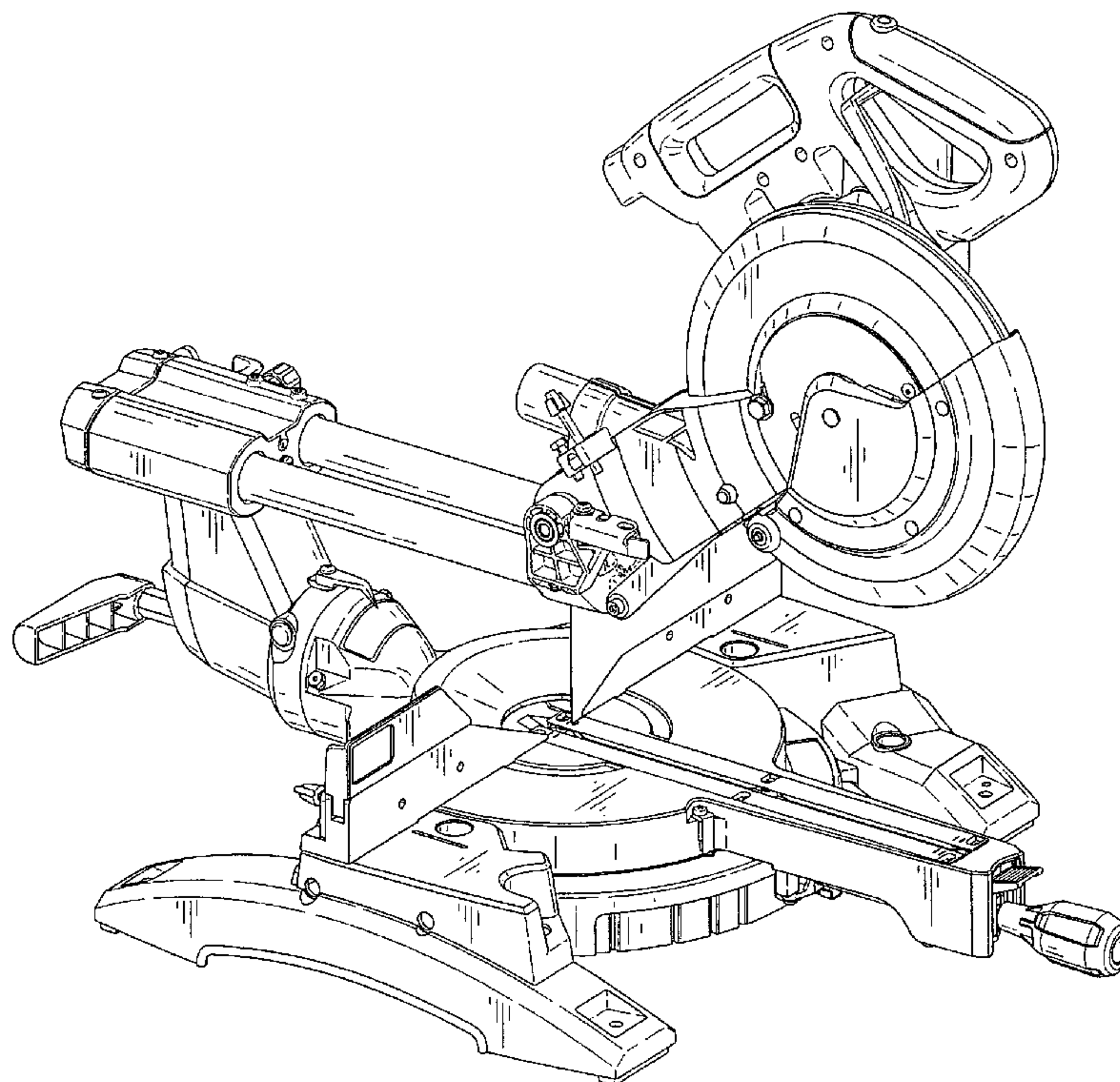
FIG. 5 is a bottom plan view thereof;

FIG. 6 is a left side view thereof; and,

FIG. 7 is a right side view thereof.

The portions of the article in broken lines are shown for illustrative purposes only and form no part of the claimed design.

1 Claim, 7 Drawing Sheets



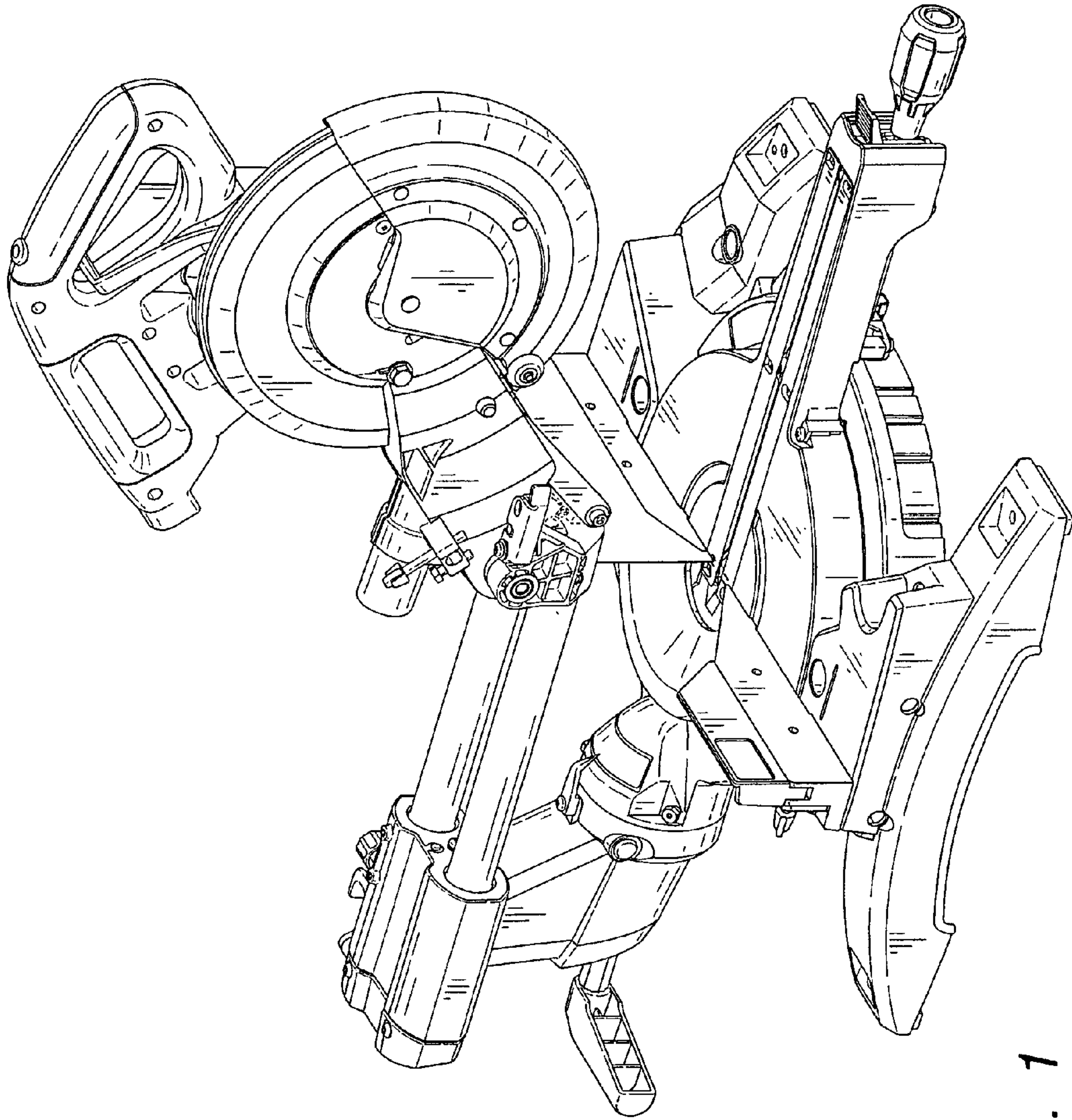


FIG. 1

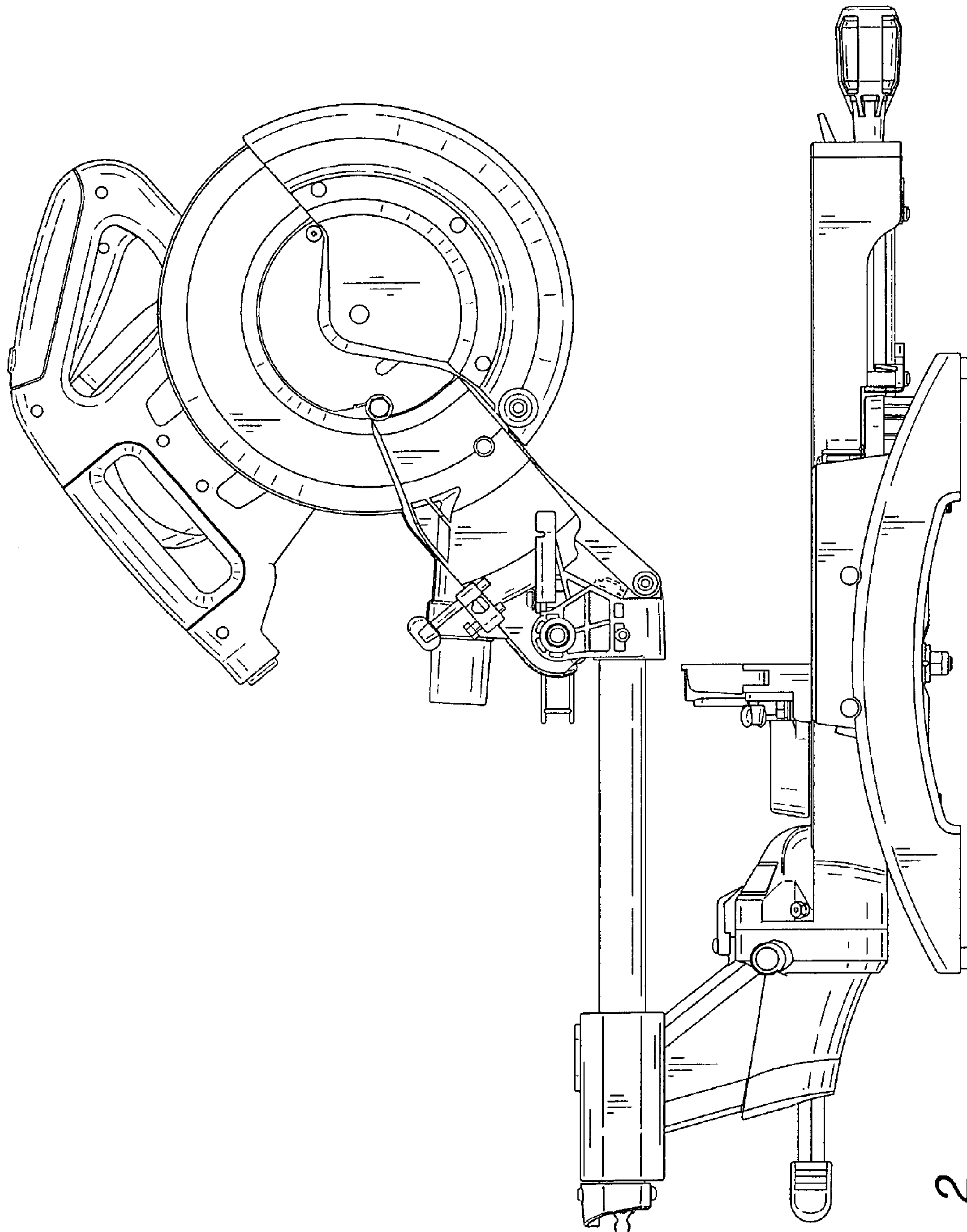


FIG. 2

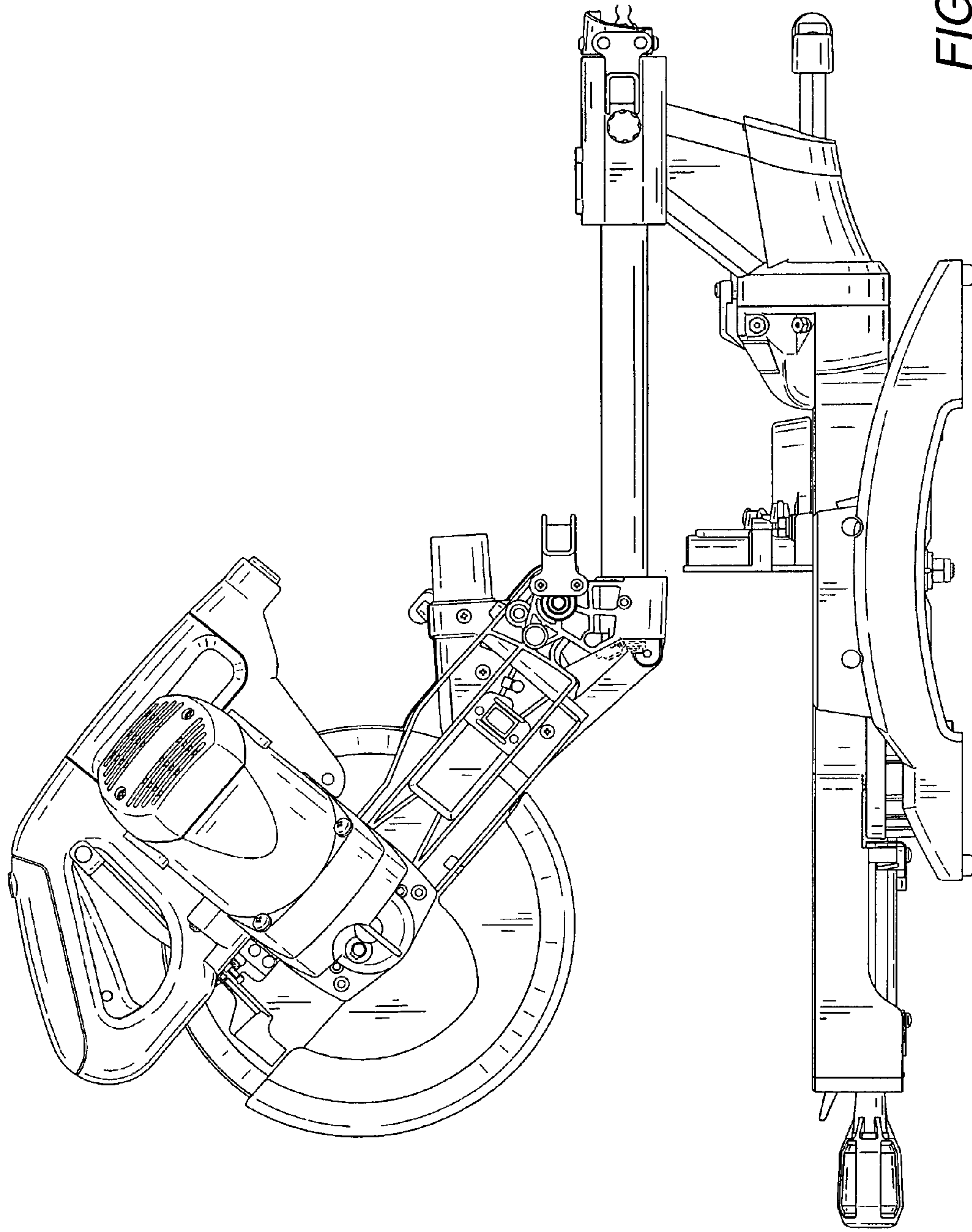


FIG. 3

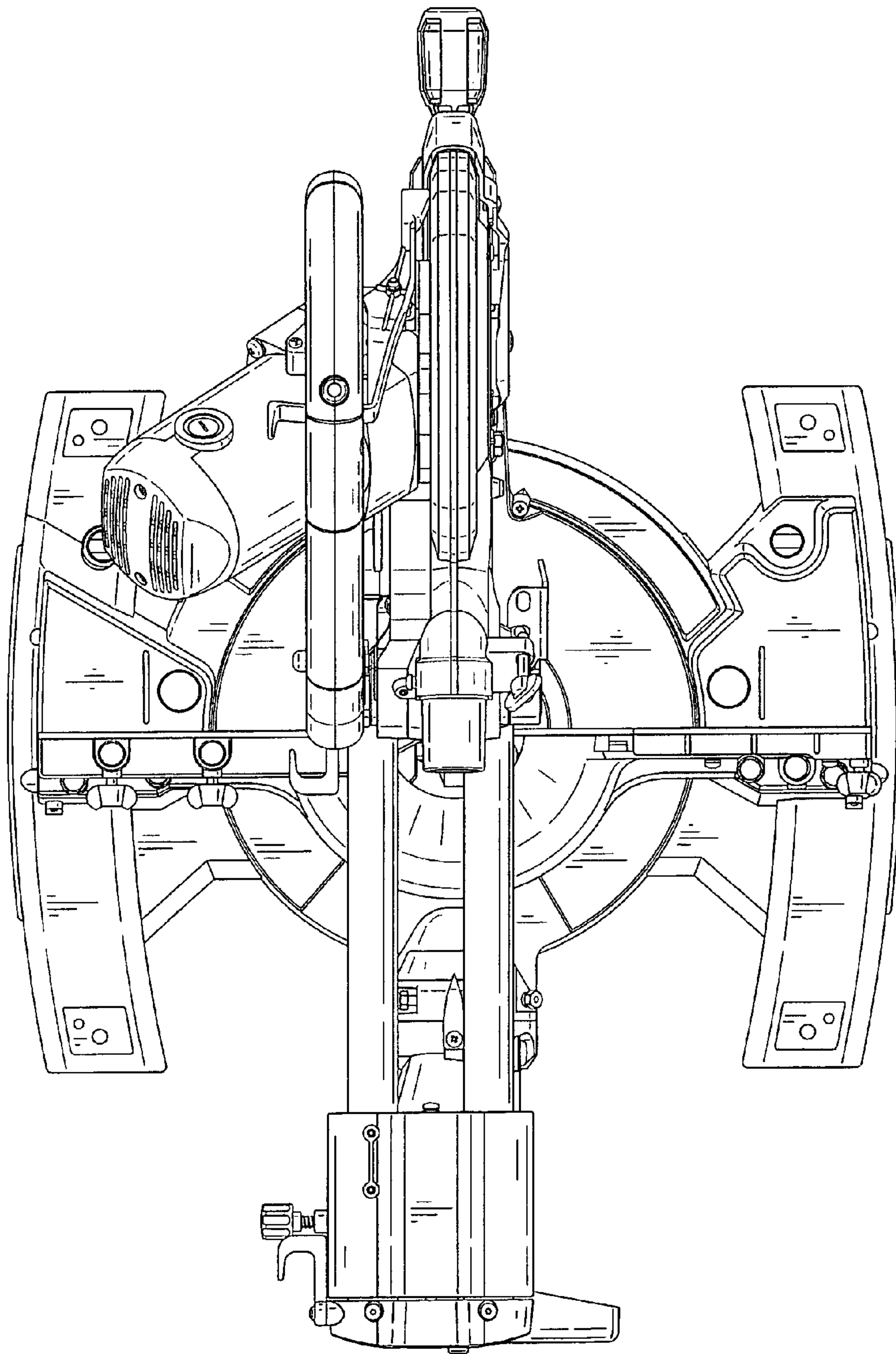


FIG. 4

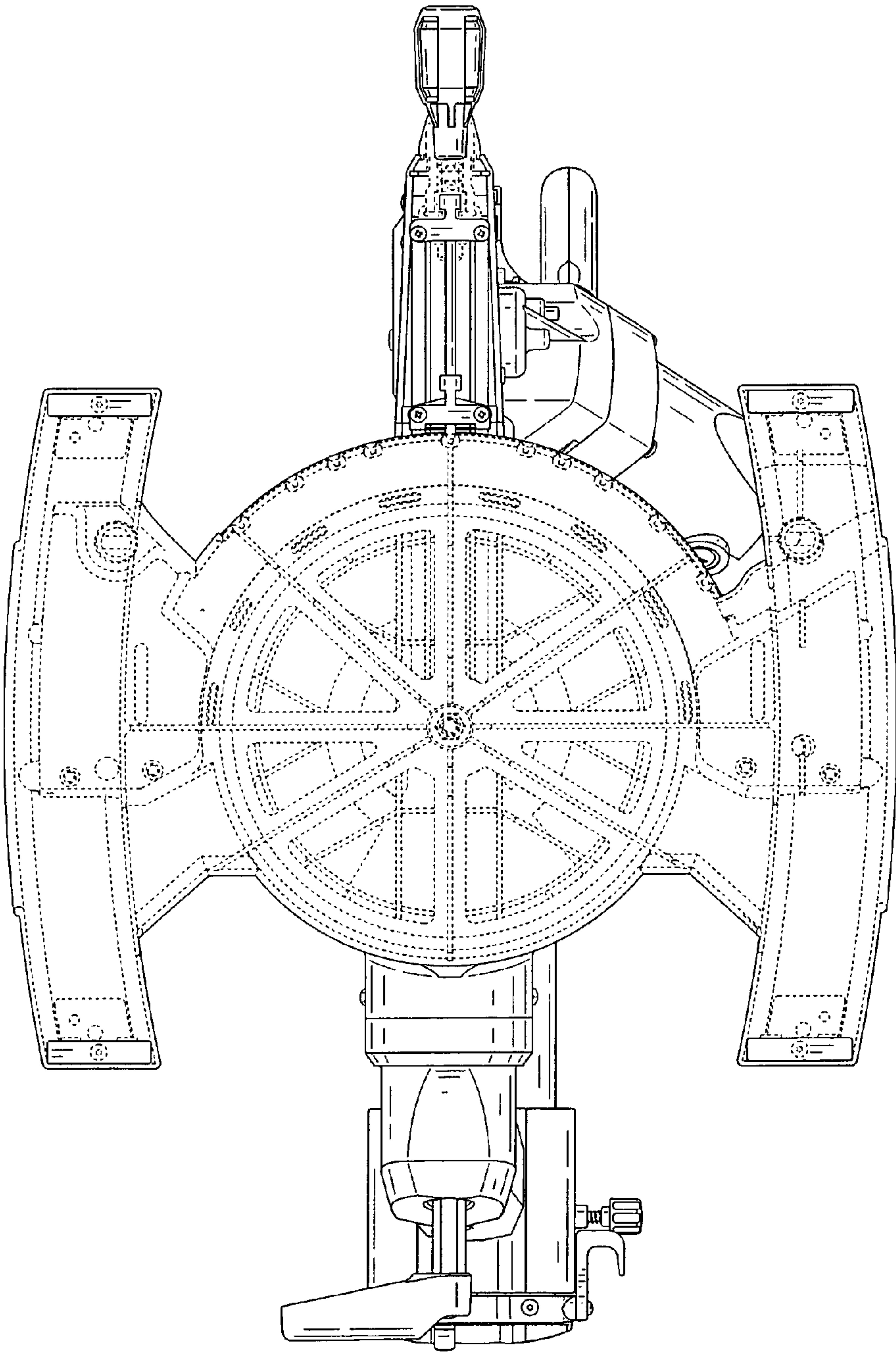


FIG. 5

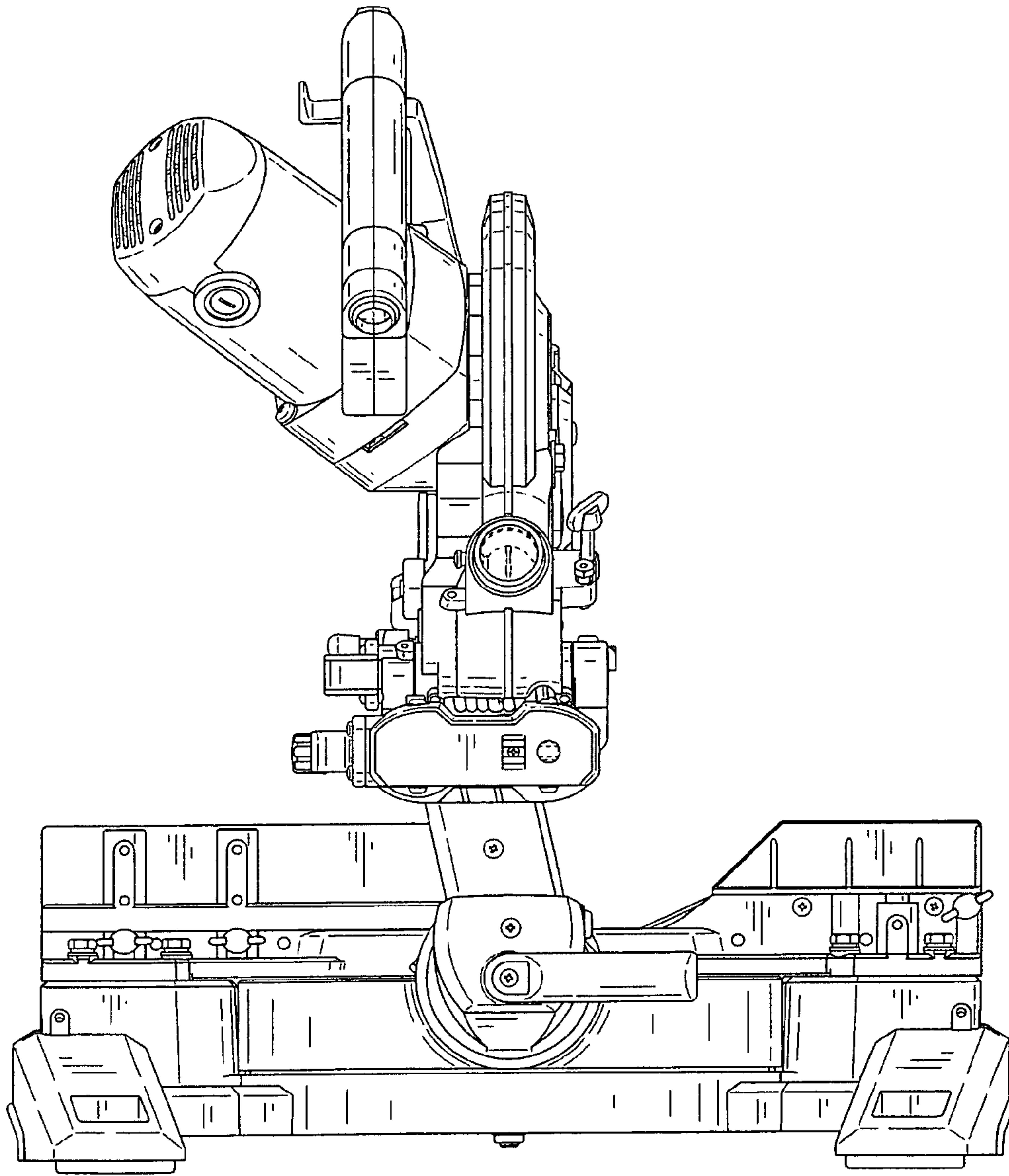


FIG. 6

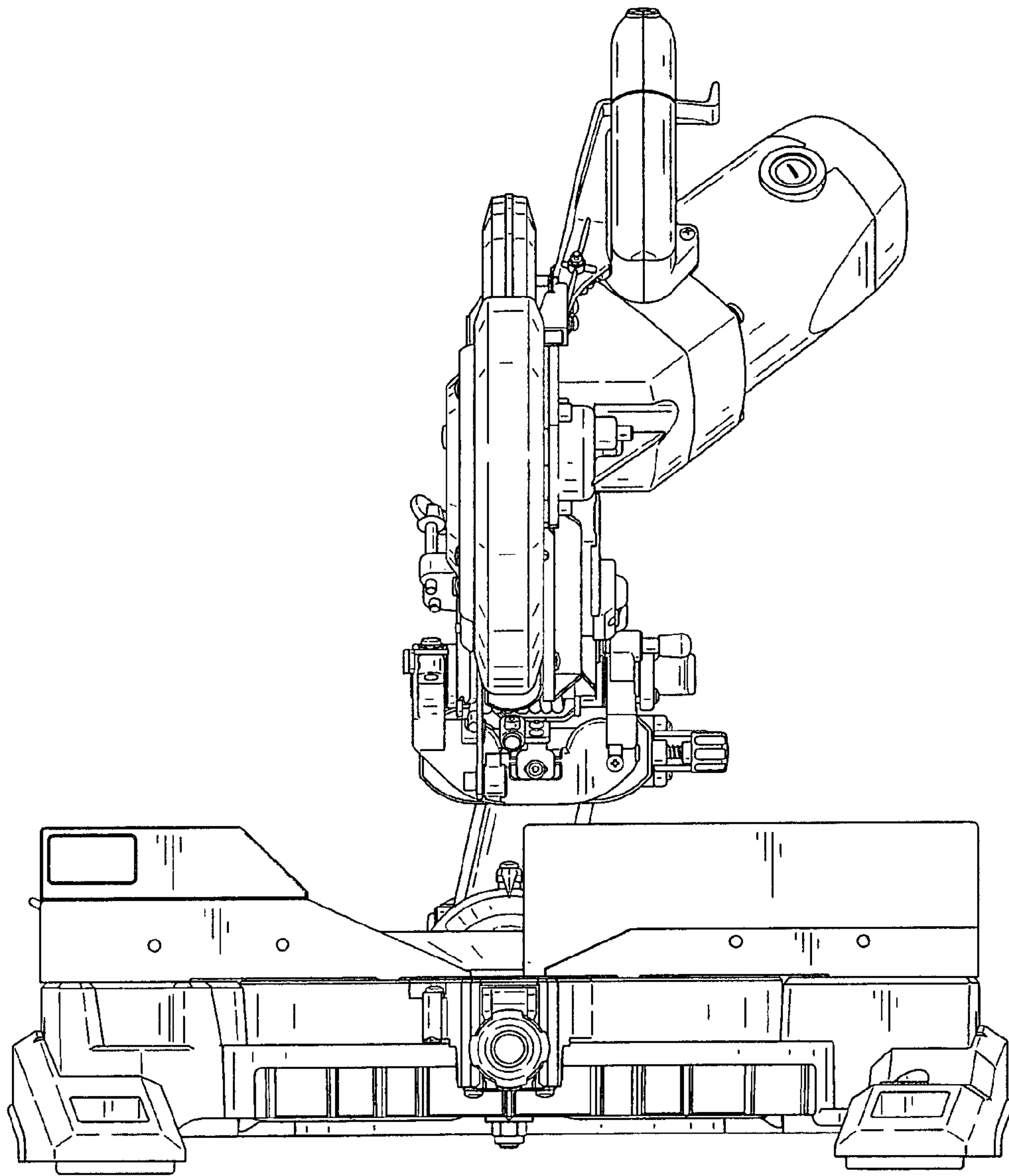


FIG. 7