



US00D620032S

(12) **United States Design Patent**
Kristiansen et al.

(10) **Patent No.:** **US D620,032 S**
(45) **Date of Patent:** **** Jul. 20, 2010**

(54) **PORTABLE REFRIGERATOR**

(75) Inventors: **Keith Kristiansen**, Edgewater, NJ (US);
Roland Charriez, Edgewater, NJ (US);
David Demar, Edgewater, NJ (US)

(73) Assignee: **LG Electronics Inc.**, Seoul (KR)

(**) Term: **14 Years**

(21) Appl. No.: **29/340,387**

(22) Filed: **Jul. 17, 2009**

(51) **LOC (9) Cl.** **15-07**

(52) **U.S. Cl.** **D15/83**

(58) **Field of Classification Search** D15/79,
D15/80, 81, 82, 83, 84; 62/3.6, 3.63, 3.64,
62/293, 467; 312/400-408

See application file for complete search history.

(56) **References Cited**

U.S. PATENT DOCUMENTS

D283,897 S *	5/1986	Mitchell	D15/79
D354,292 S *	1/1995	Monti	D15/80
D454,892 S *	3/2002	Black et al.	D15/83
D478,102 S *	8/2003	Utsugi	D15/83
D502,471 S *	3/2005	Yuen	D15/81
D516,099 S *	2/2006	Maruyama	D15/83
D534,999 S *	1/2007	Hussaini et al.	D15/81

D548,249 S *	8/2007	Okamoto et al.	D15/84
D558,239 S *	12/2007	Takemoto et al.	D15/79
D597,560 S *	8/2009	Choi et al.	D15/83

* cited by examiner

Primary Examiner—Shanda C Hill

(74) *Attorney, Agent, or Firm*—Morgan, Lewis & Bockius LLP

(57) **CLAIM**

The ornamental design for a portable refrigerator, as shown and described.

DESCRIPTION

FIG. 1 is a perspective view of a portable refrigerator showing our new design;

FIG. 2 is a front view thereof;

FIG. 3 is a rear view thereof;

FIG. 4 is a left side view thereof;

FIG. 5 is a right side view thereof;

FIG. 6 is a top plan view thereof;

FIG. 7 is a bottom plan view thereof; and,

FIG. 8 is a perspective view thereof shown in an alternate position.

1 Claim, 8 Drawing Sheets

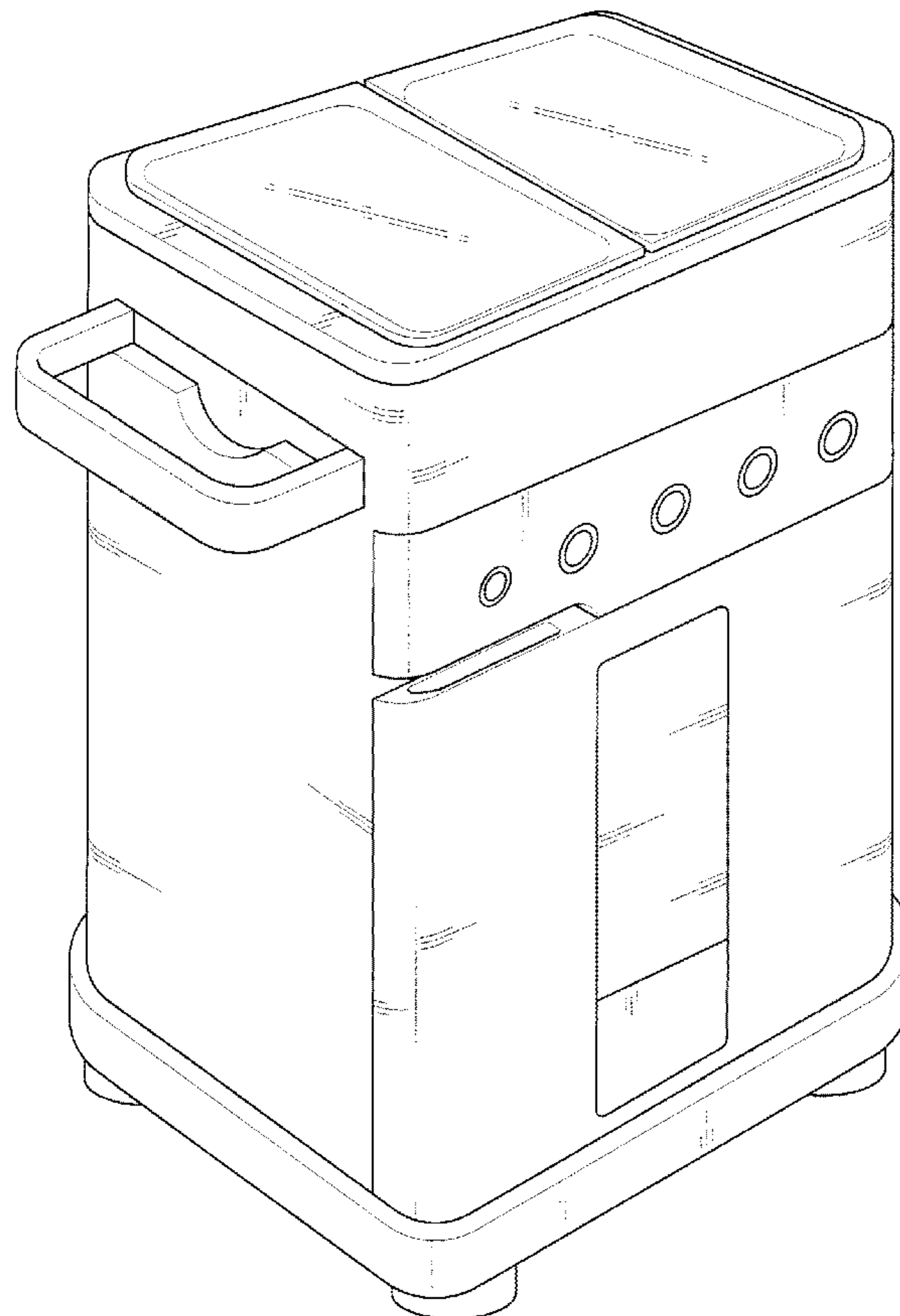


FIG. 1

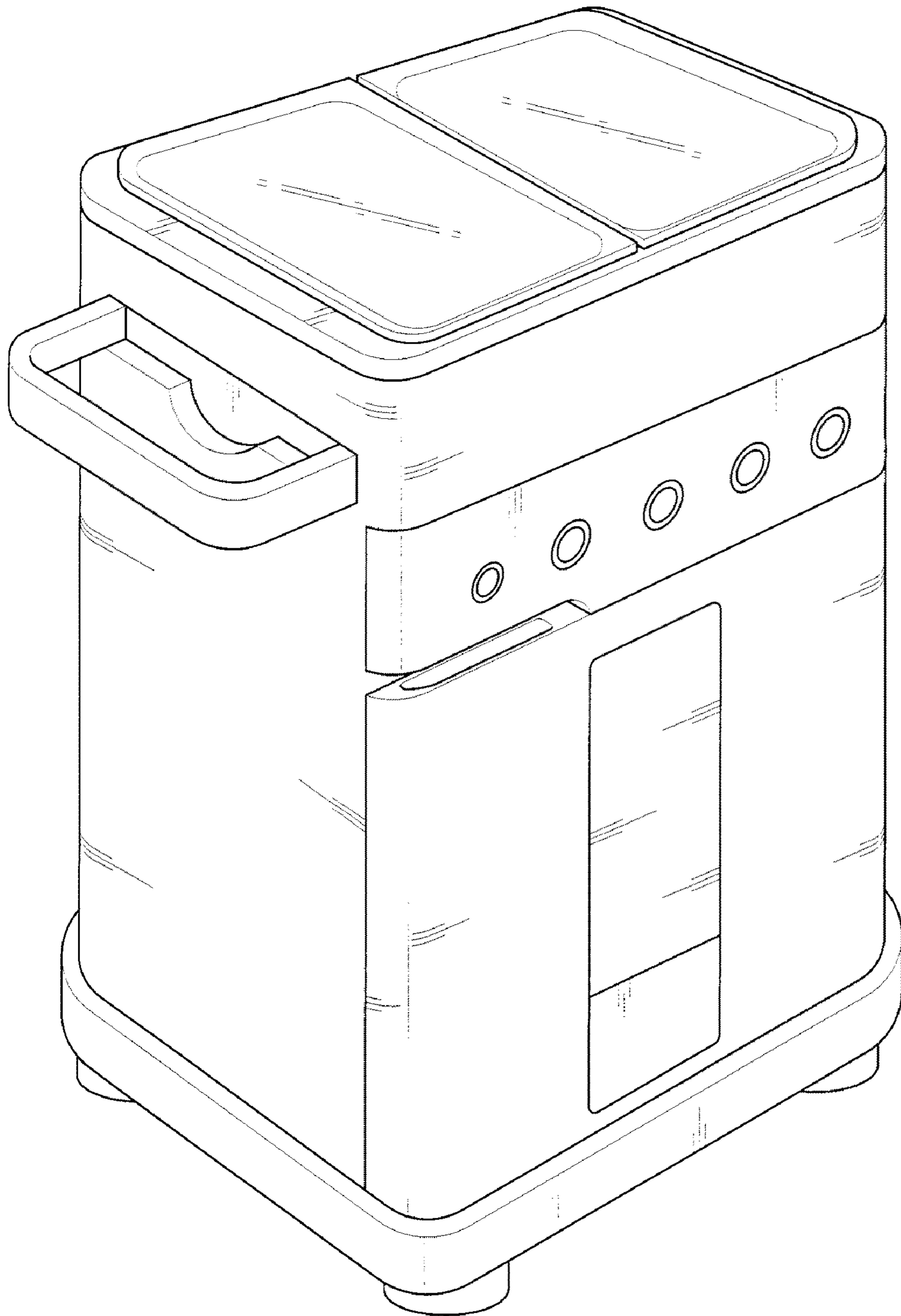


FIG. 2

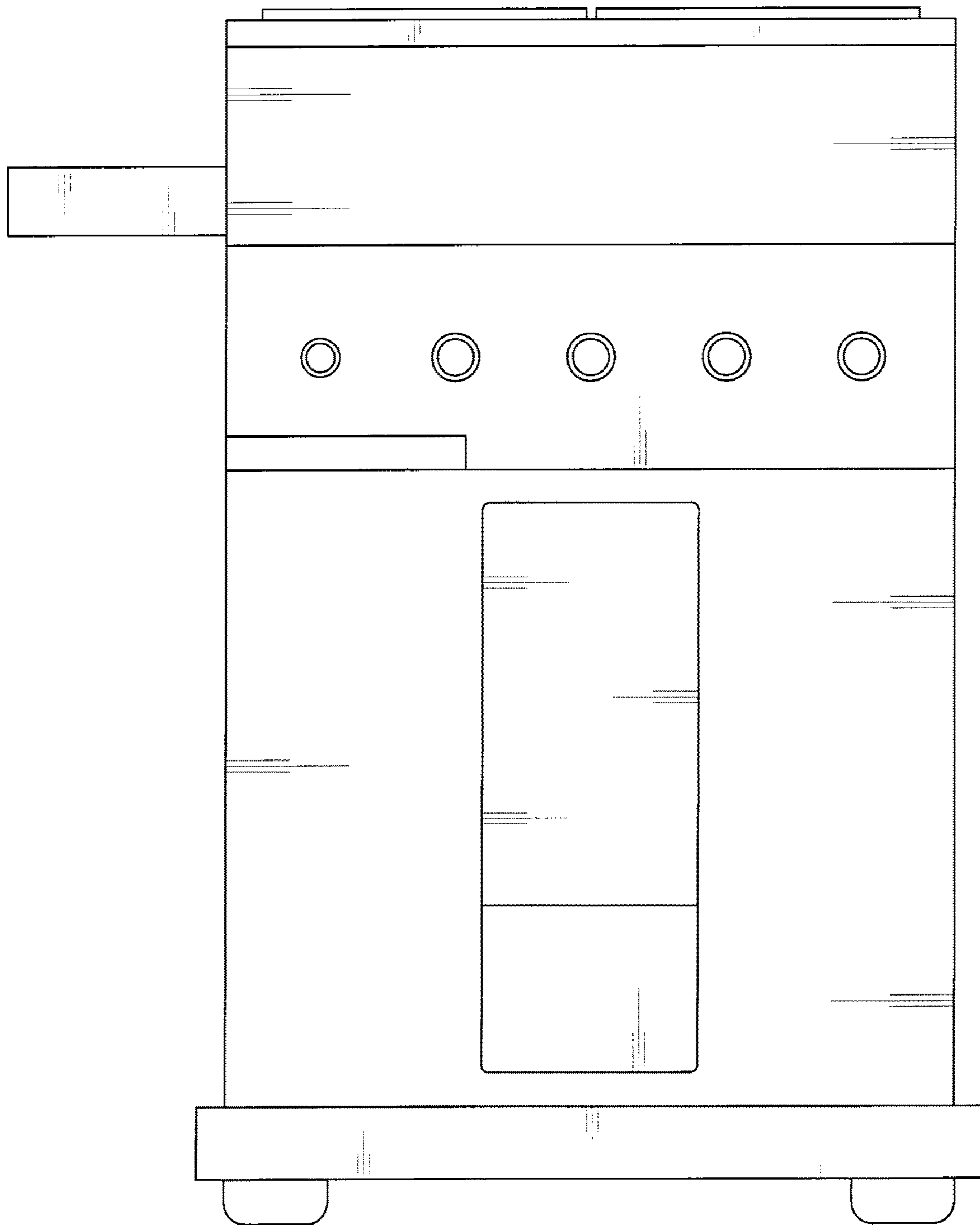


FIG. 3

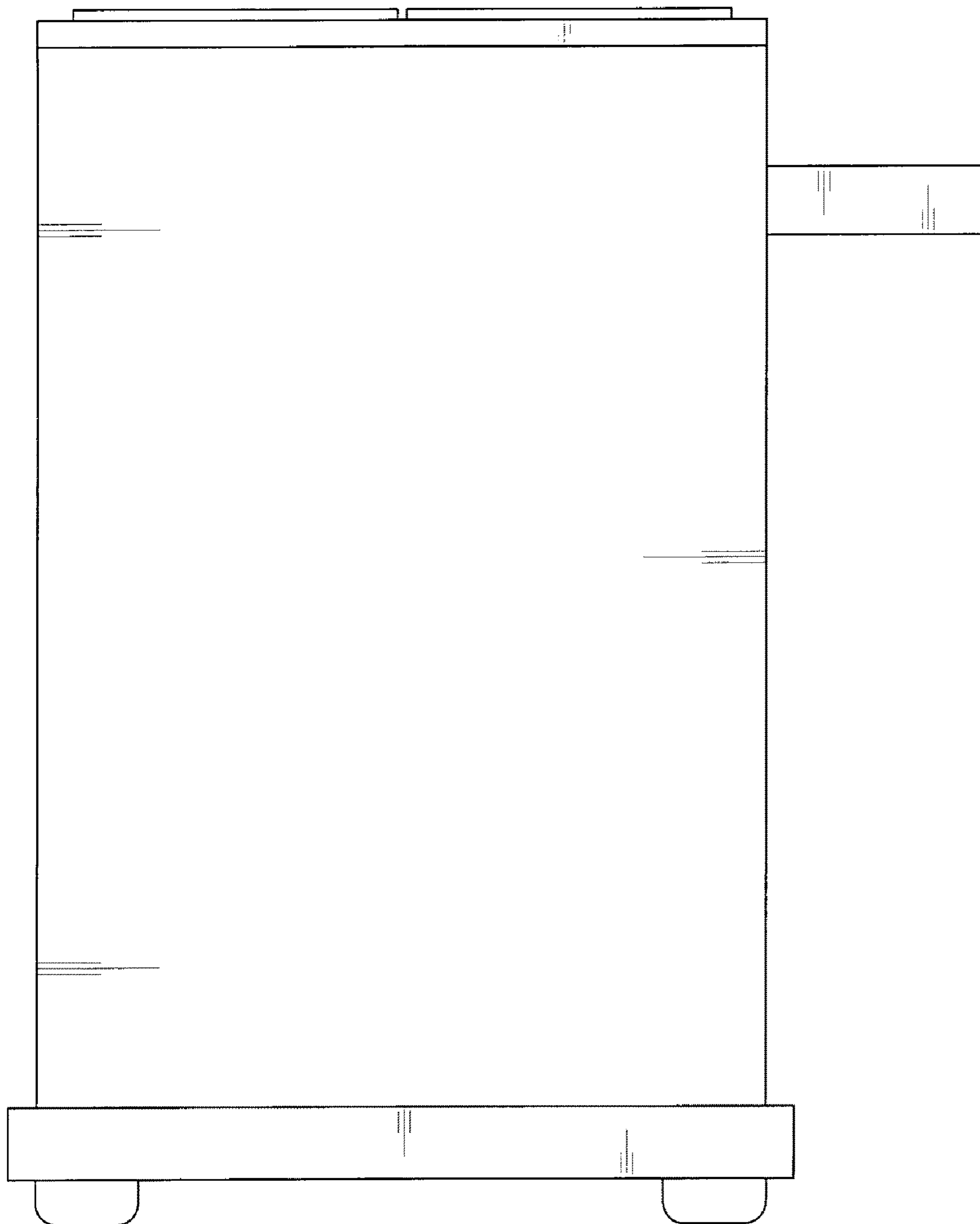


FIG. 4

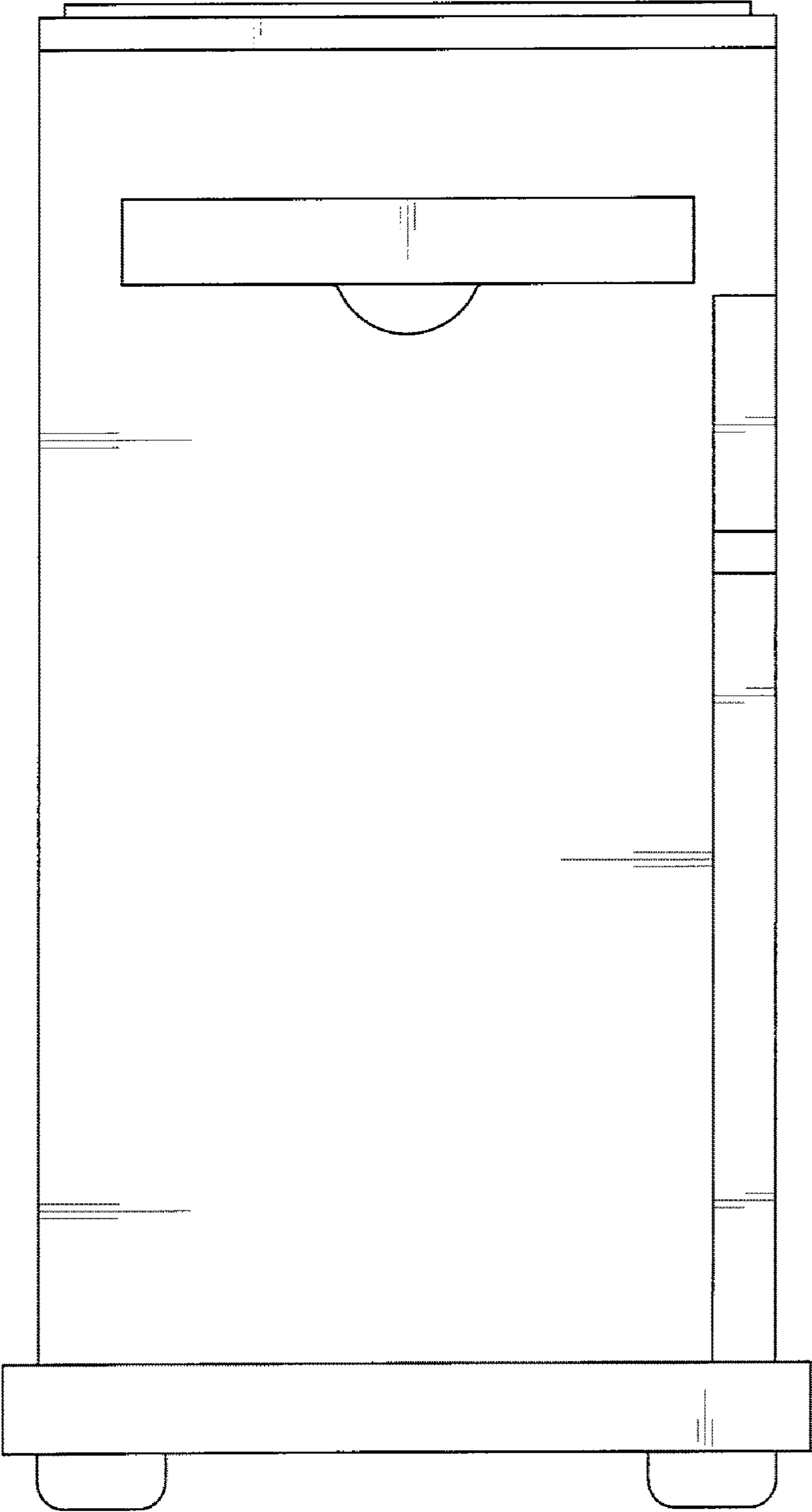


FIG. 5

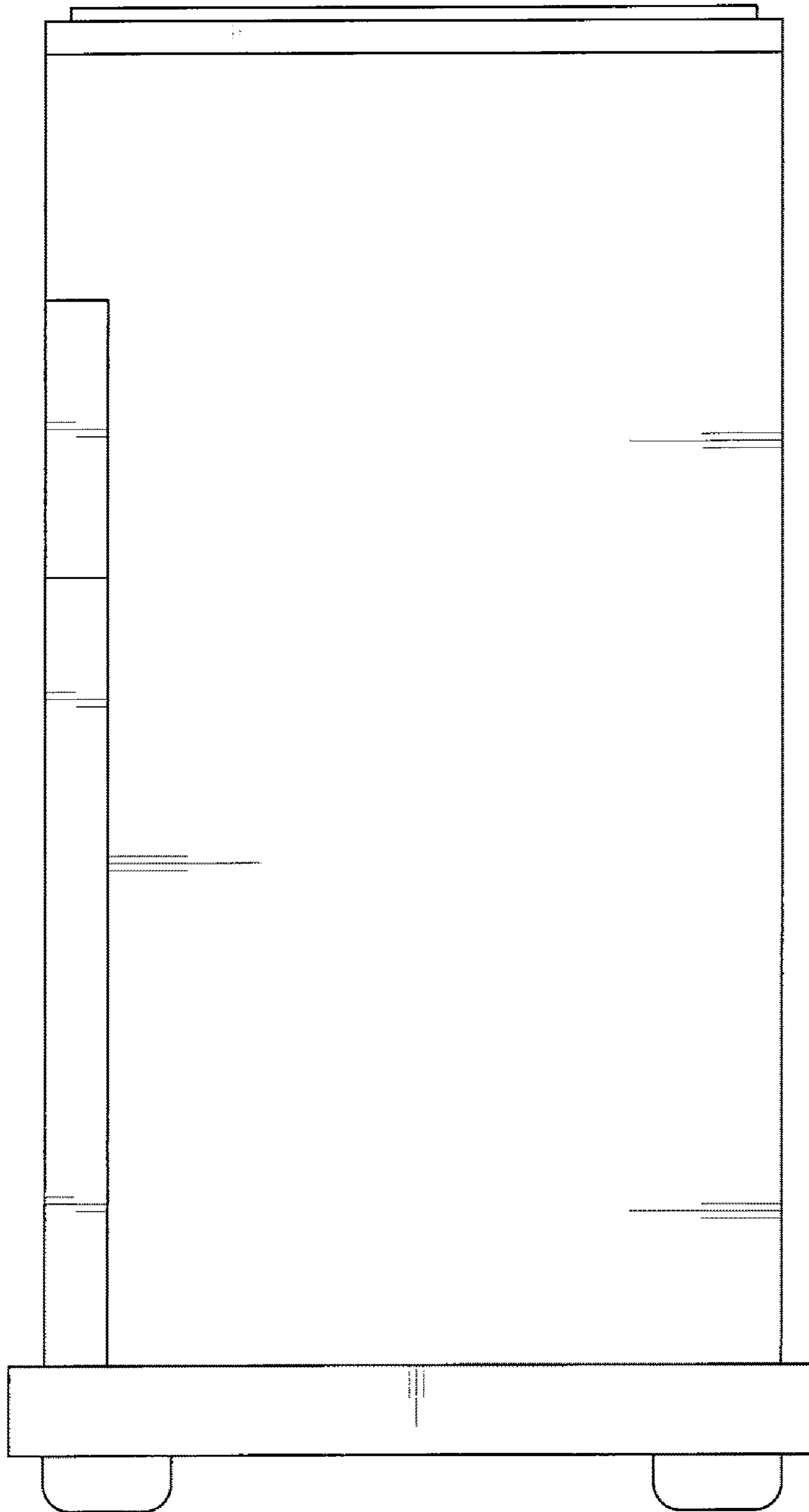


FIG. 6

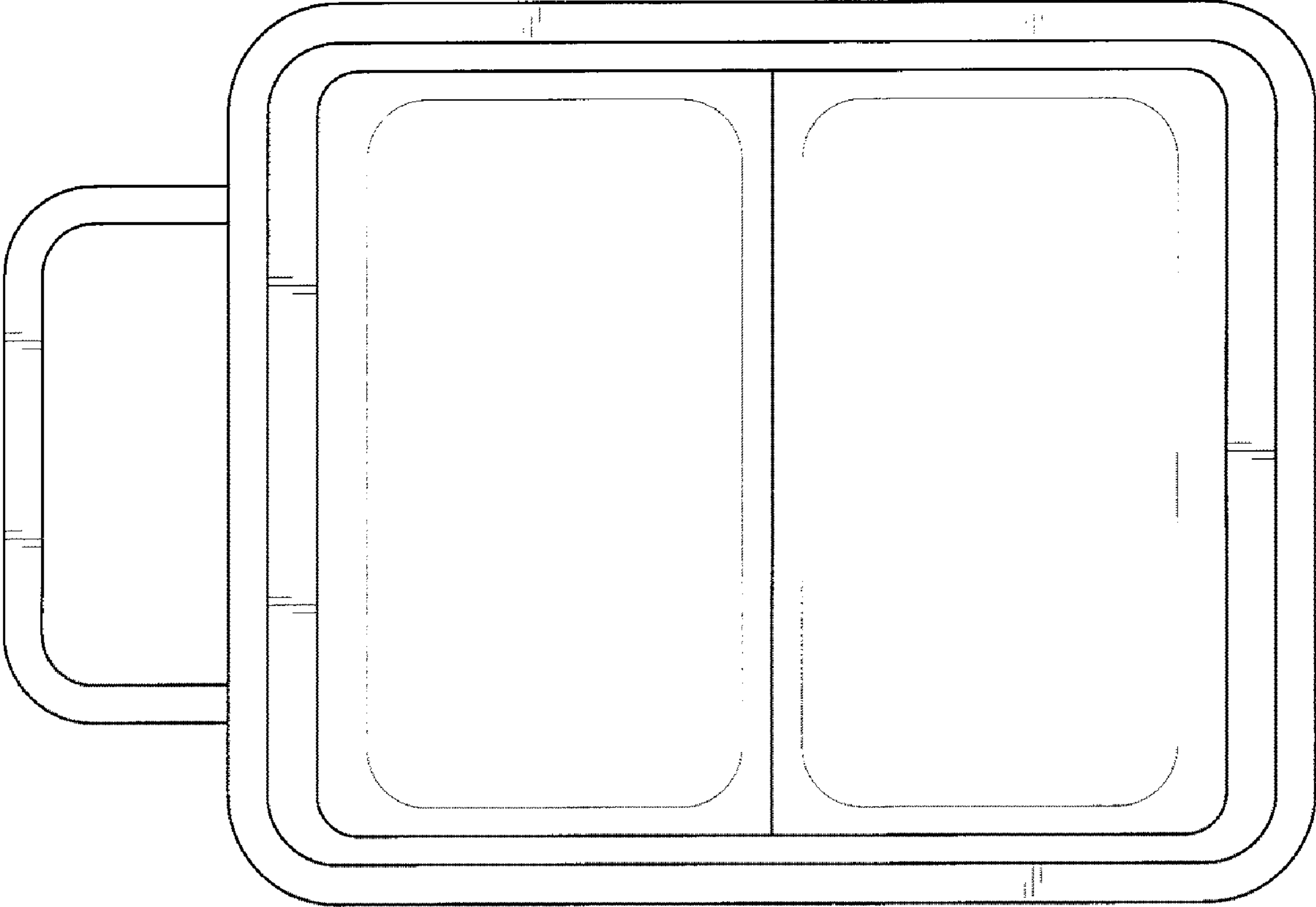


FIG. 7

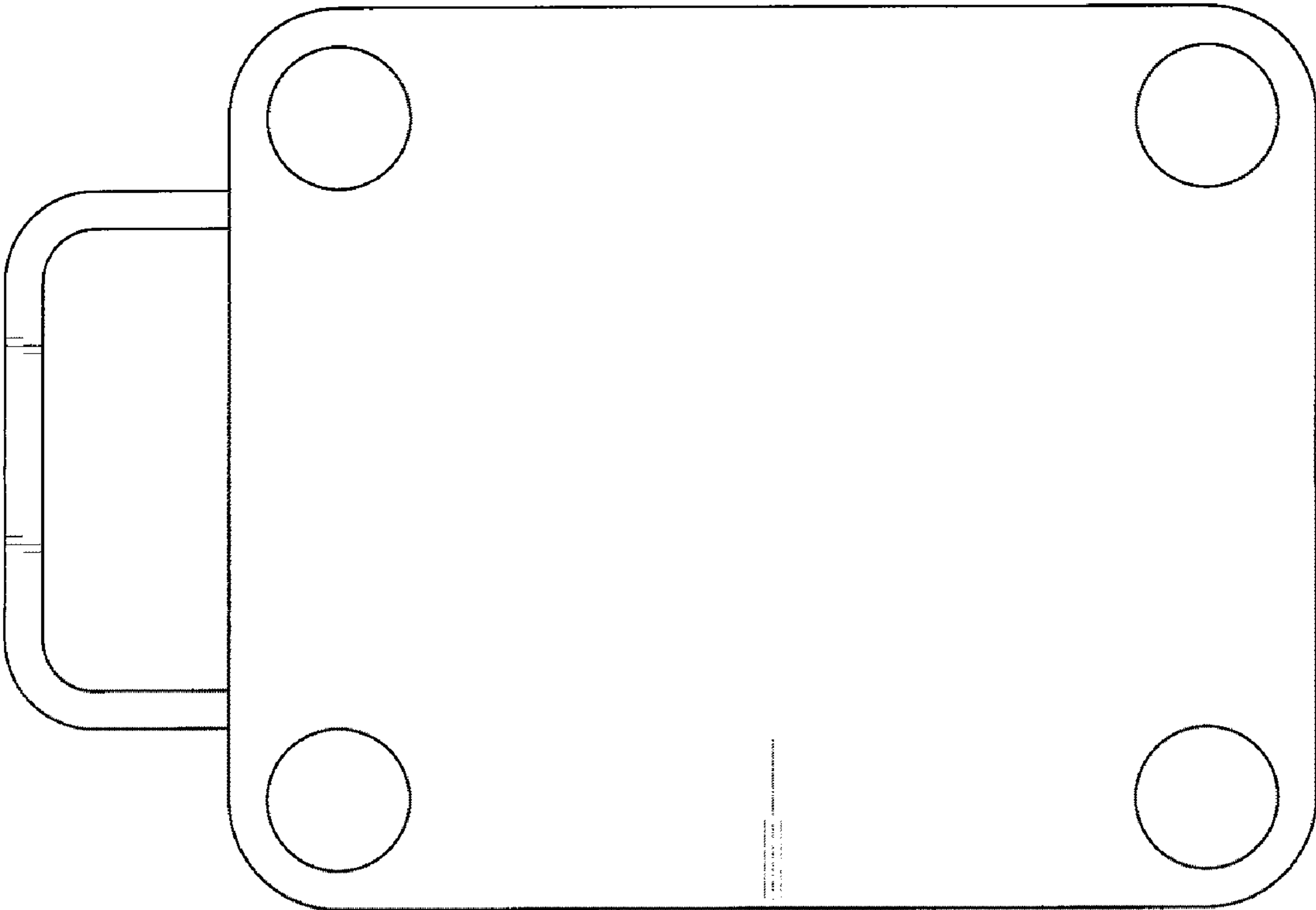


FIG. 8

