



US00D620029S

(12) **United States Design Patent**
Baetica

(10) **Patent No.:** **US D620,029 S**
(45) **Date of Patent:** **** Jul. 20, 2010**

(54) **MOWER**

(75) Inventor: **Florin Baetica**, Brockville (CA)

(73) Assignee: **Black & Decker Inc.**, Newark, DE (US)

(**) Term: **14 Years**

(21) Appl. No.: **29/343,389**

(22) Filed: **Sep. 11, 2009**

(51) **LOC (9) Cl.** **15-03**

(52) **U.S. Cl.** **D15/14**

(58) **Field of Classification Search** D15/10,
D15/14-18; 56/6, 11.9, 16.7, 17.1, 17.4,
56/17.5, 202, 255, 320.1, 320.2, 295, 294,
56/12.8

See application file for complete search history.

(56) **References Cited**

U.S. PATENT DOCUMENTS

3,757,503	A *	9/1973	Soldavini	56/202
4,413,466	A	11/1983	Beugelsdyk et al.	
D294,031	S *	2/1988	Hosonuma	D15/14
4,753,062	A	6/1988	Roelle	
4,833,935	A	5/1989	Roelle	
D310,085	S *	8/1990	Uemura	D15/14
D317,165	S *	5/1991	Schweitz et al.	D15/14
5,085,043	A	2/1992	Hess et al.	
D346,810	S *	5/1994	Schulz et al.	D15/14
D356,581	S *	3/1995	Chunn et al.	D15/14
D361,771	S *	8/1995	Ledingham	D15/14
5,490,370	A	2/1996	McNair et al.	
5,493,851	A *	2/1996	Katzer et al.	56/13.7
D374,017	S *	9/1996	Chunn et al.	D15/14
5,606,851	A	3/1997	Bruener et al.	
5,619,845	A	4/1997	Bruener et al.	
D381,665	S *	7/1997	Hinklin et al.	D15/14
D390,576	S *	2/1998	Shimamura	D15/14
5,784,868	A	7/1998	Wadzinski et al.	
5,806,374	A	9/1998	Mizutani et al.	
5,910,091	A *	6/1999	Iida et al.	56/16.7
5,937,622	A	8/1999	Carrier et al.	
D419,163	S *	1/2000	Sirois et al.	D15/14
D421,265	S *	2/2000	Ohsumi et al.	D15/14

D424,070	S *	5/2000	Danthois	D15/14
D426,836	S *	6/2000	Sirois et al.	D15/14
6,230,678	B1	5/2001	Gracyalny et al.	
D449,840	S *	10/2001	Concari et al.	D15/14
D450,064	S *	11/2001	Concari et al.	D15/14
D456,030	S *	4/2002	Maeda	D15/14
D457,533	S *	5/2002	Concari et al.	D15/14
D457,897	S *	5/2002	Jong	D15/14
6,386,169	B1	5/2002	Gracyalny et al.	
6,404,078	B1	6/2002	Thomas et al.	
6,434,918	B1 *	8/2002	Csonka et al.	56/13.4
6,666,008	B2 *	12/2003	Iida et al.	56/11.9
6,751,936	B2	6/2004	Kucera et al.	
D497,918	S *	11/2004	Osborne et al.	D15/14
D500,054	S *	12/2004	Jager	D15/14
6,826,895	B2 *	12/2004	Iida et al.	56/11.9
D508,923	S *	8/2005	Henssler et al.	D15/14

(Continued)

Primary Examiner—Mark A Goodwin

(74) *Attorney, Agent, or Firm*—John Yun; Bruce S. Shapiro; Stephen Valancius

(57) **CLAIM**

The ornamental design for a mower, as shown and described.

DESCRIPTION

FIG. 1 is a right perspective view of a mower showing the new design.

FIG. 2 is a left perspective view thereof.

FIG. 3 is a front view thereof.

FIG. 4 is a rear view thereof.

FIG. 5 is a ride side view thereof

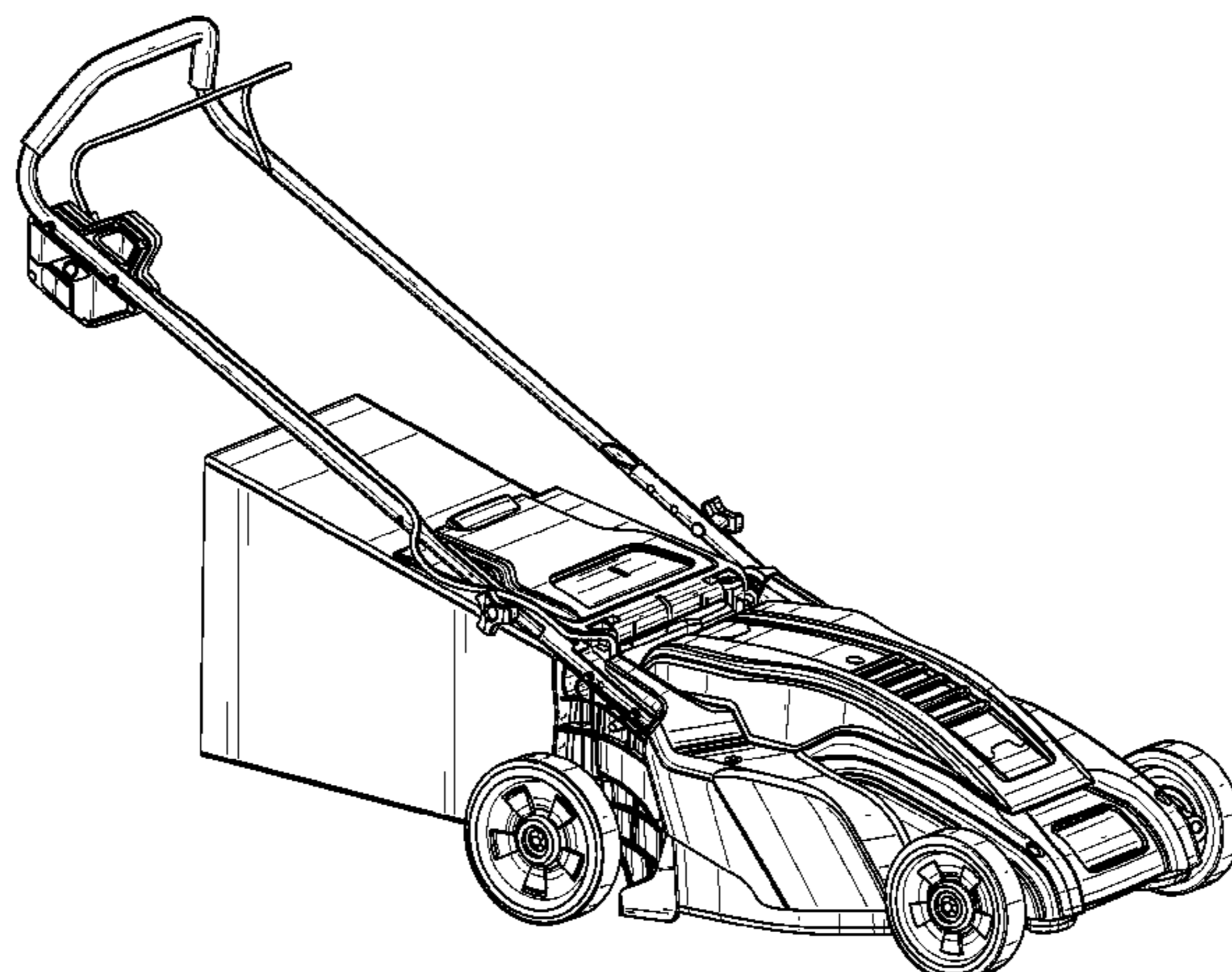
FIG. 6 is a left side view thereof.

FIG. 7 is a top view thereof; and,

FIG. 8 is a bottom view thereof.

The broken lines shown in the drawings form no part of the claimed design.

1 Claim, 7 Drawing Sheets



US D620,029 S

Page 2

U.S. PATENT DOCUMENTS

D508,924 S *	8/2005	Henssler et al.	D15/14	2003/0037523 A1*	2/2003	Shimada et al.	56/11.9
D544,501 S *	6/2007	Chung Lee	D15/14	2003/0037524 A1*	2/2003	Iida et al.	56/11.9
2002/0069631 A1*	6/2002	Dyke et al.	56/17.5	2003/0037525 A1*	2/2003	Iida et al.	56/11.9
2002/0144495 A1*	10/2002	Sugiyama et al.	56/202	2007/0101690 A1	5/2007	Stover et al.	
2003/0037522 A1*	2/2003	Kobayashi et al.	56/10.8	2007/0294991 A1*	12/2007	Medina et al.	56/11.9

* cited by examiner

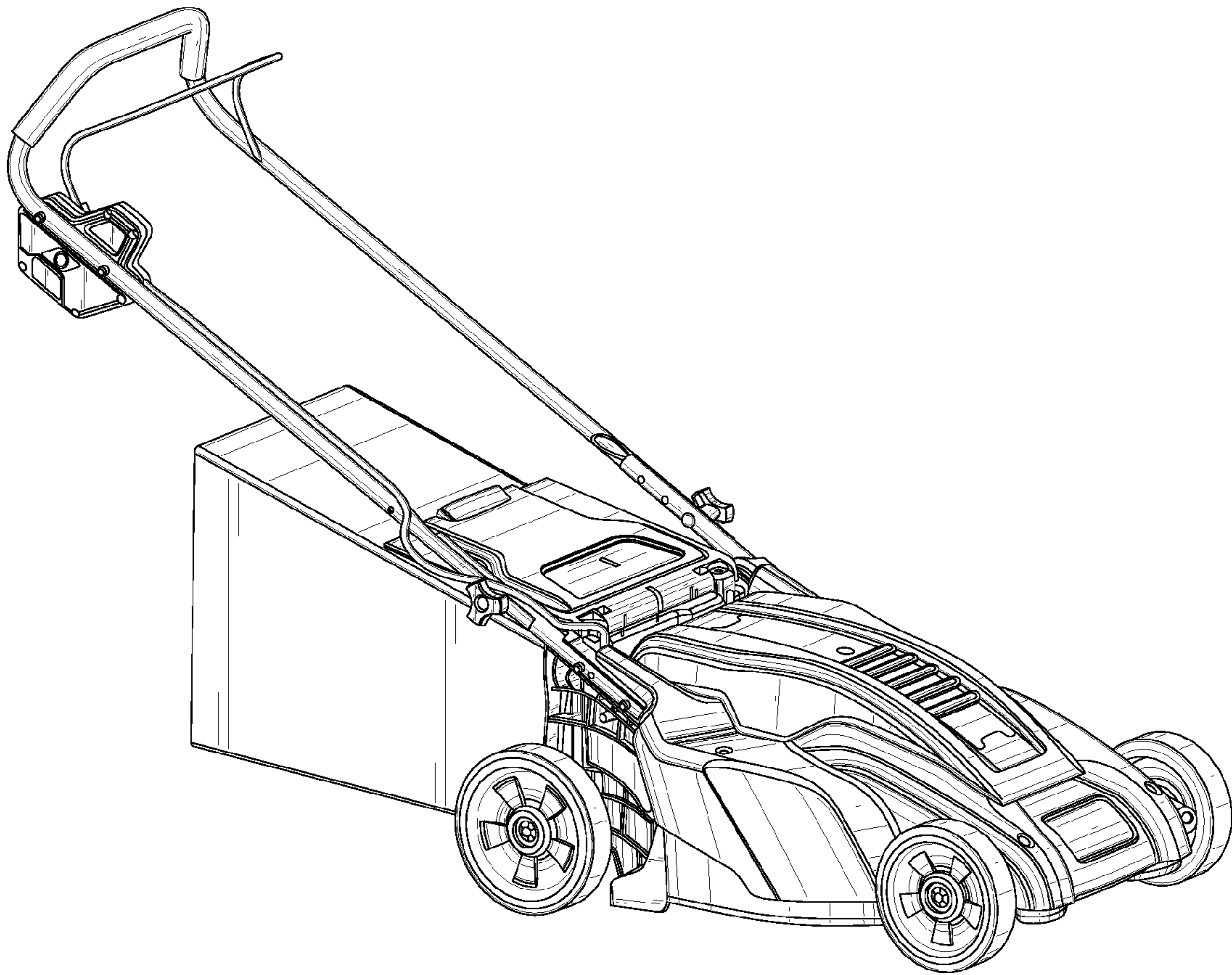


FIG. 1

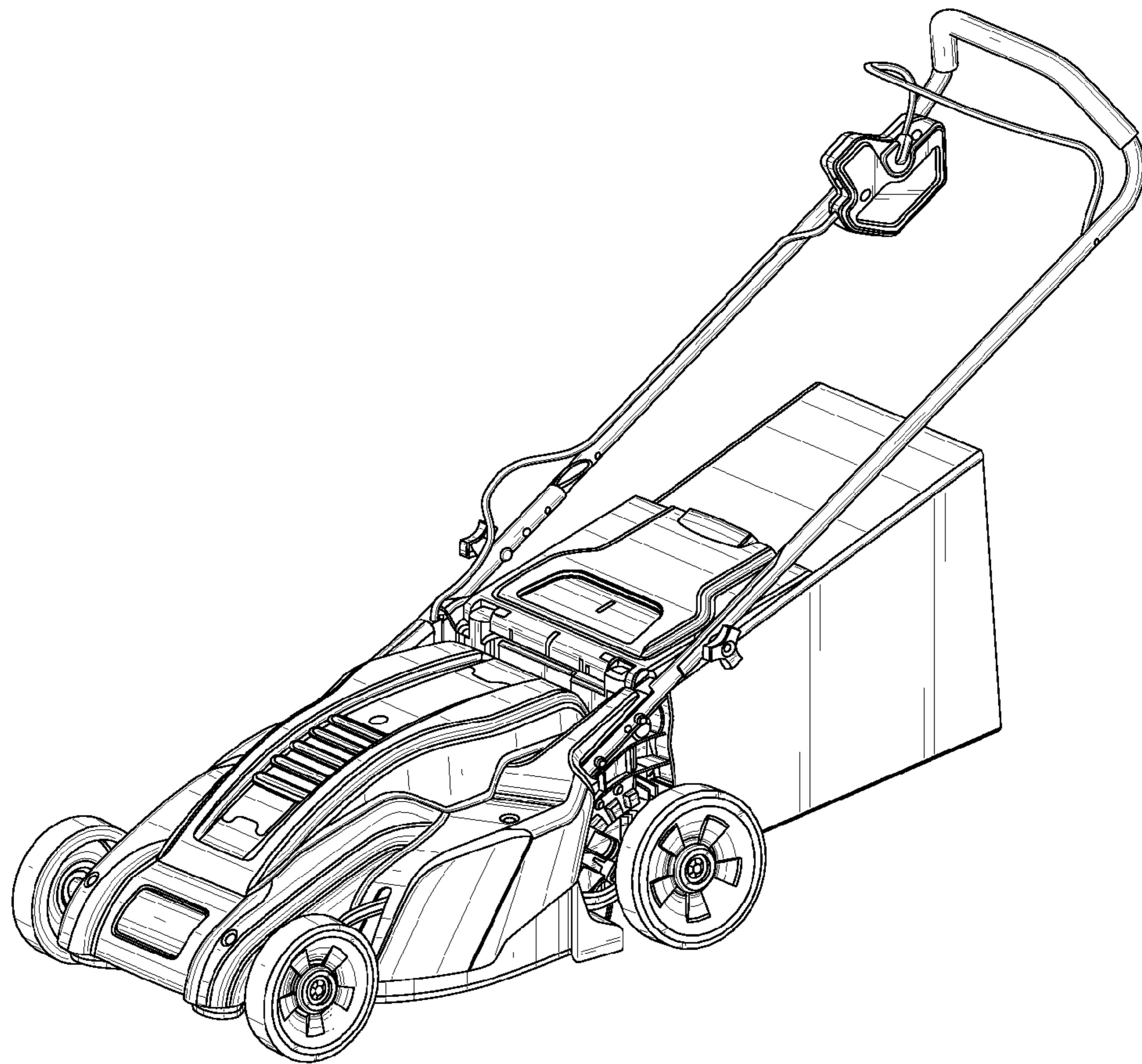


FIG. 2

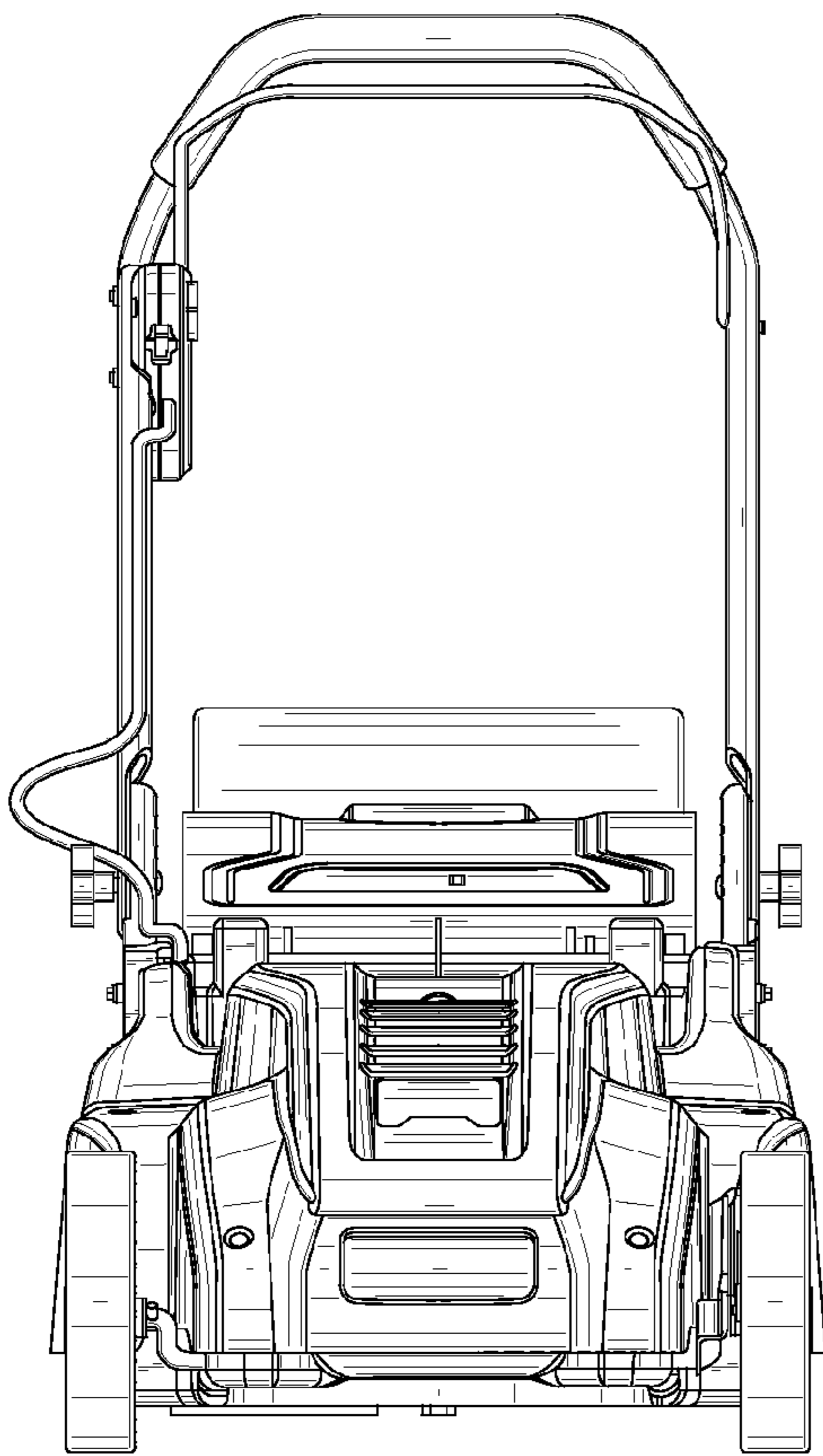


FIG. 3

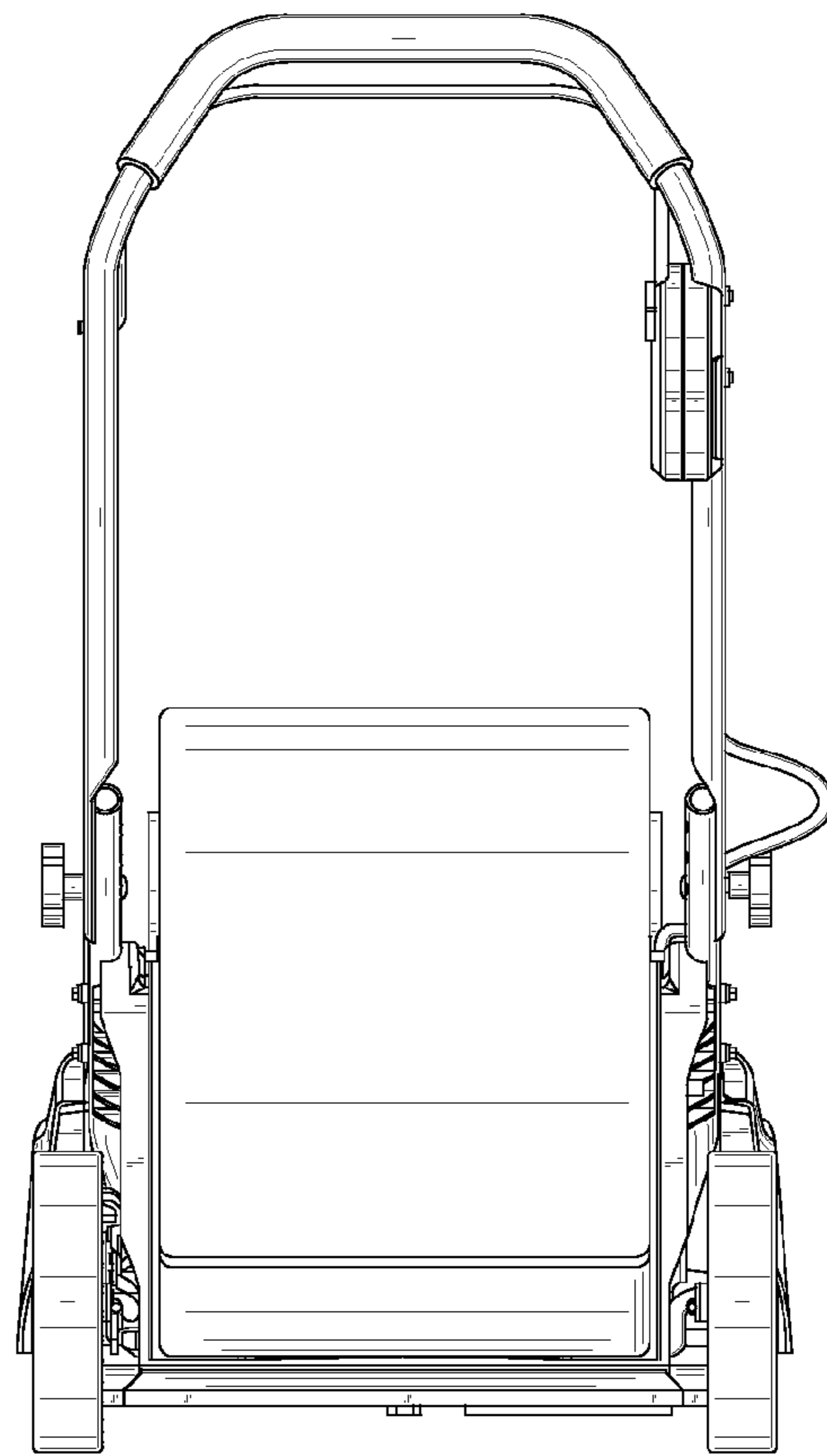


FIG. 4

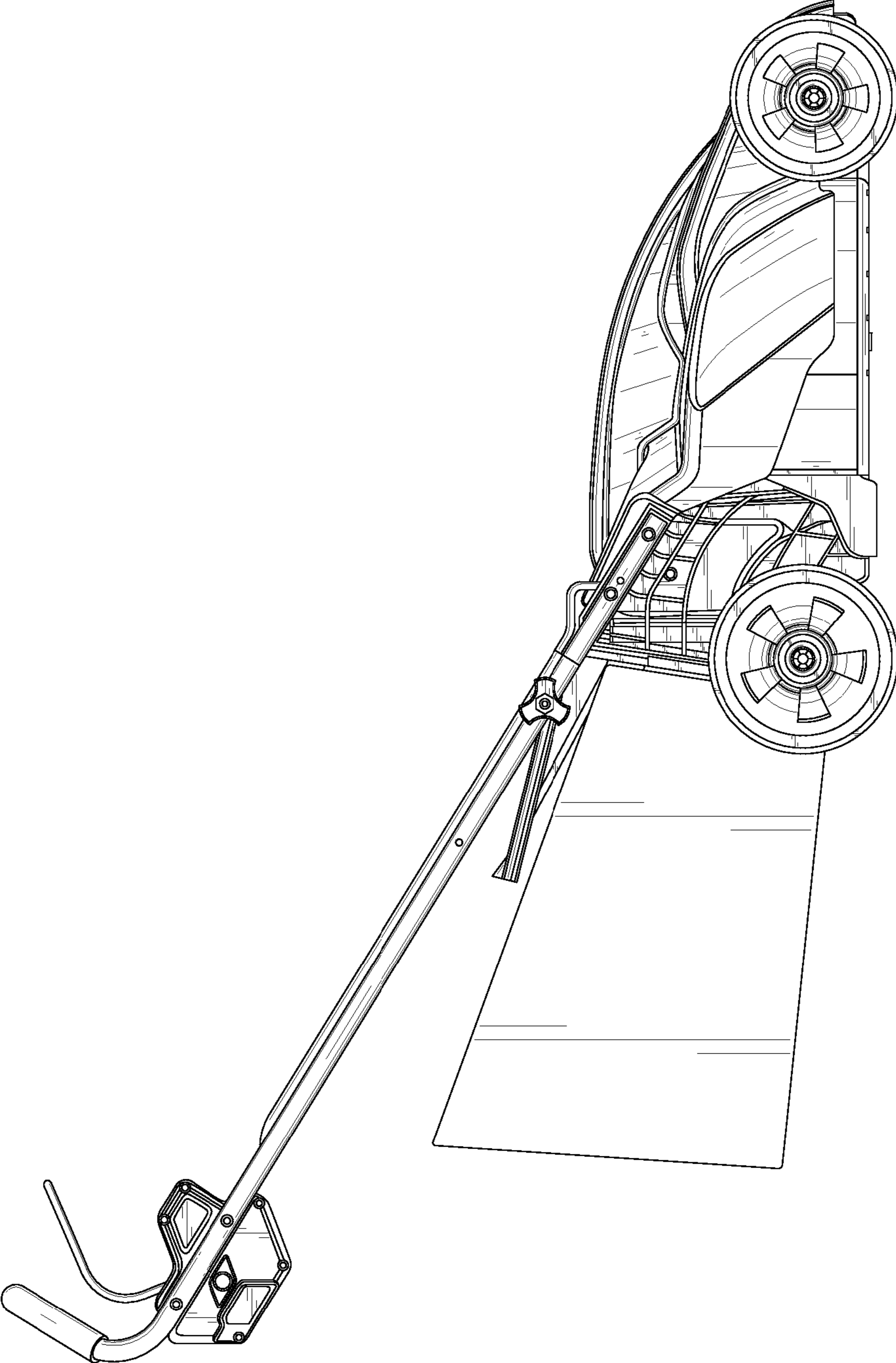


FIG. 5

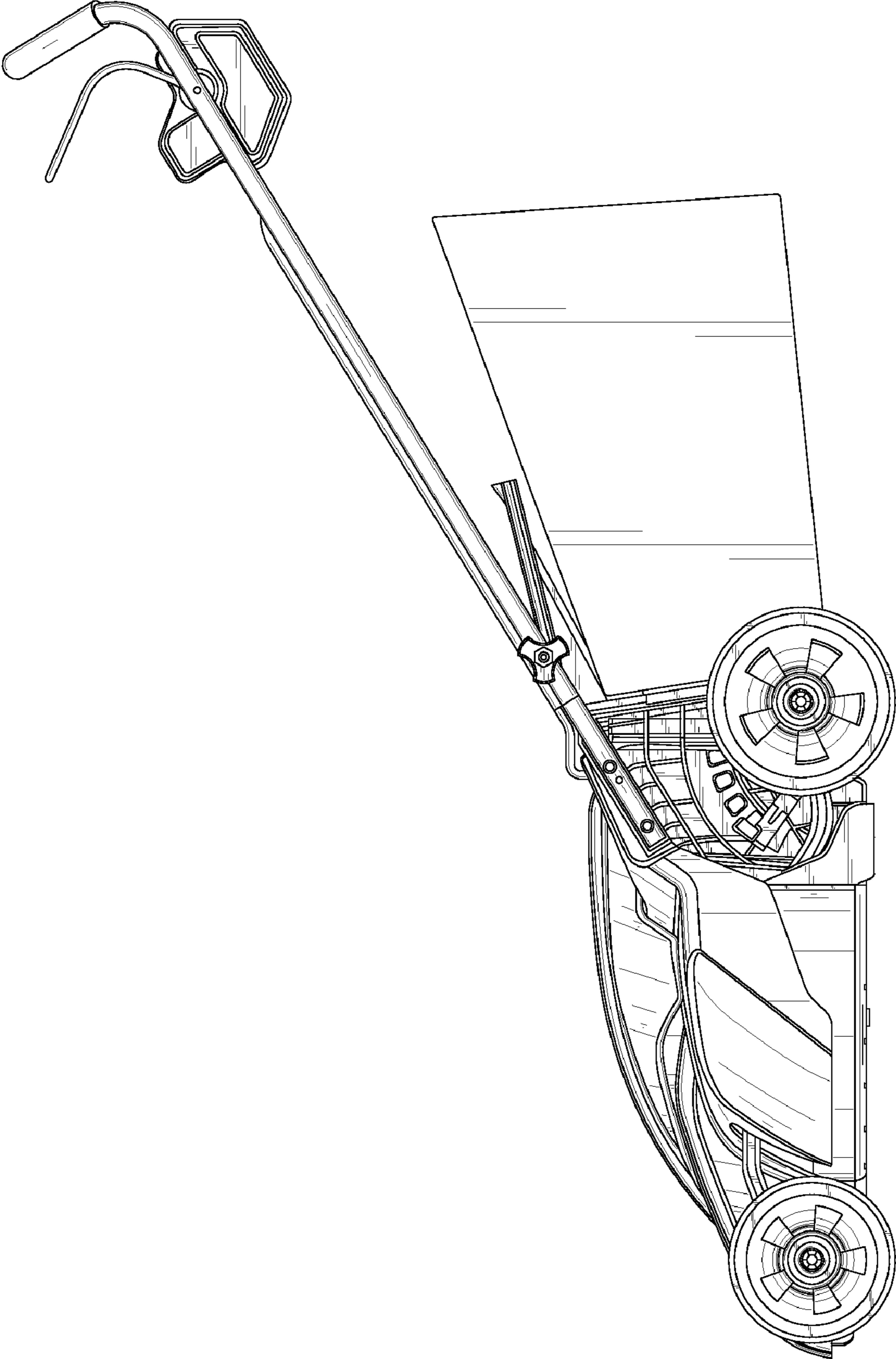


FIG. 6

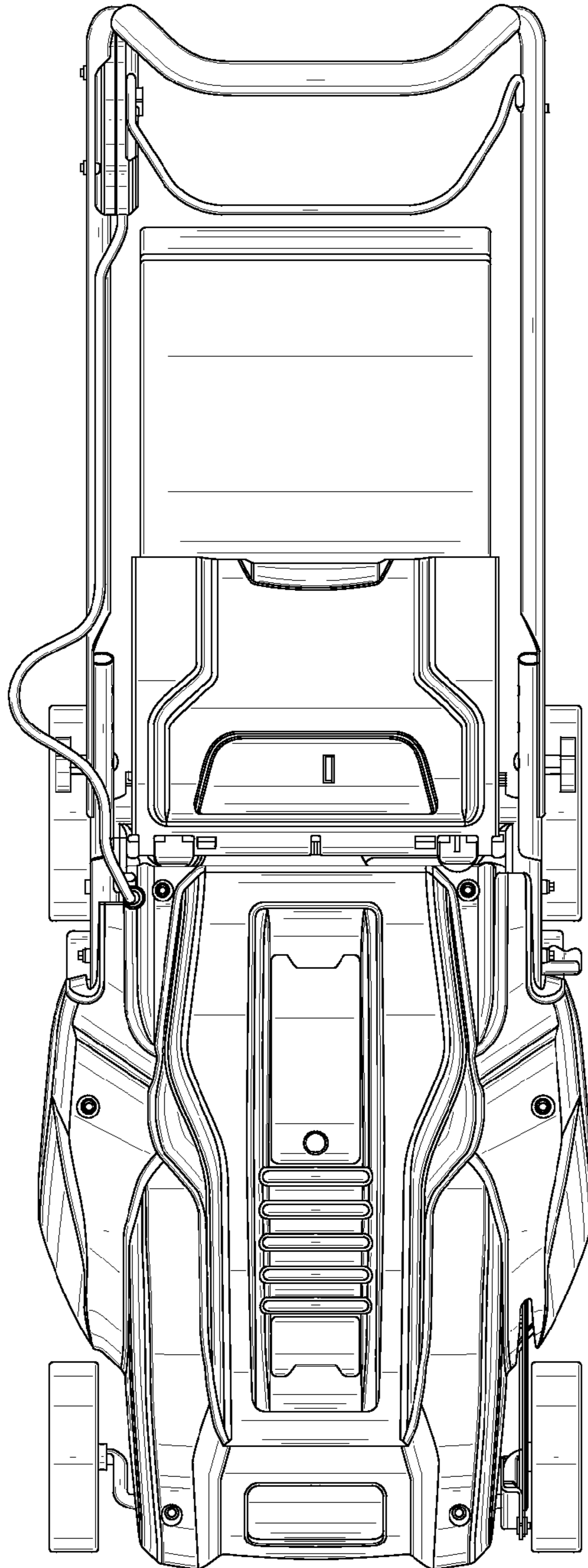


FIG. 7

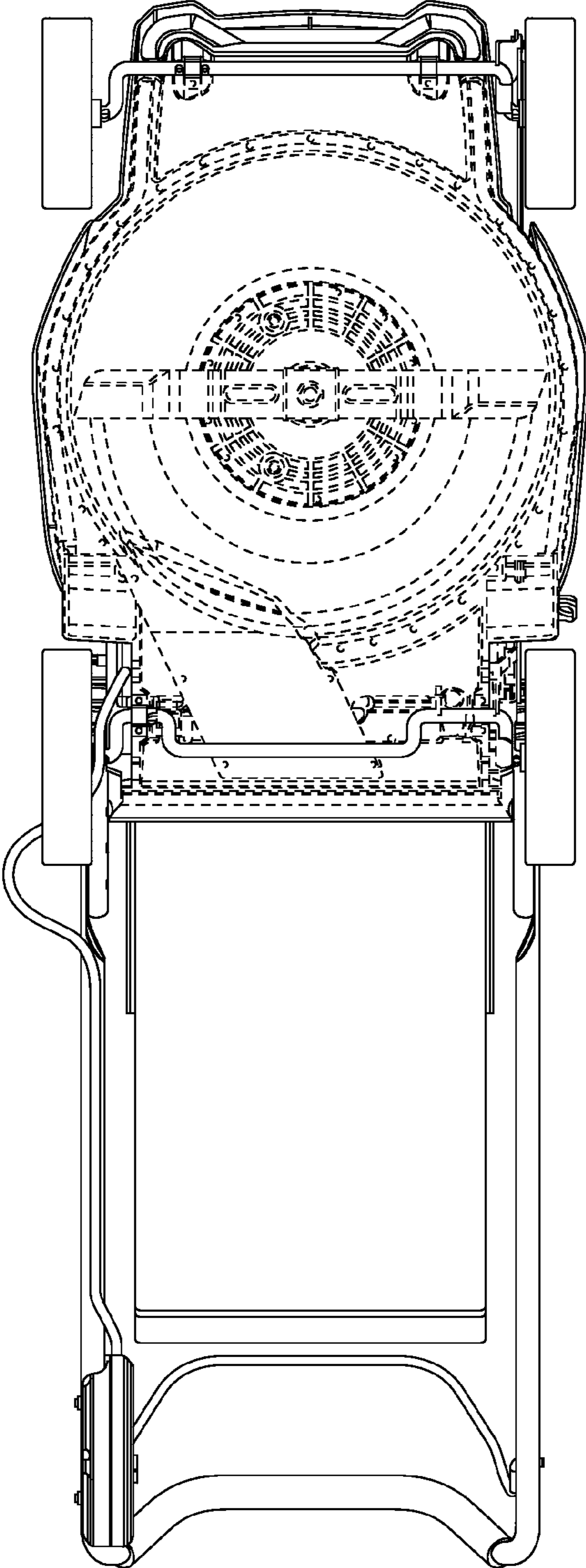


FIG. 8