



US00D620018S

(12) **United States Design Patent**  
**Nan et al.**

(10) **Patent No.:** **US D620,018 S**  
(45) **Date of Patent:** **\*\* Jul. 20, 2010**

(54) **PORTABLE FLASH MEMORY DEVICE**

2009/0316368 A1\* 12/2009 Hiew et al. .... 361/737

(75) Inventors: **Nan Nan**, San Jose, CA (US); **Jin Kyu Kim**, San Jose, CA (US)

**OTHER PUBLICATIONS**

(73) Assignee: **Super Talent Electronics, Inc.**, San Jose, CA (US)

Design Registration No. 300467100.0000 [Korea], filed on Feb. 26, 2007, registered on Oct. 23, 2007.\*

(\*\*) Term: **14 Years**

Kingston Technology Introduces DataTraveler 100 with “Thumb-Action” Retractable USB Connector | Mobility Site, [online] posted on Jul. 16, 2007 [retrieved on May 17, 2010]. Retrieved from the Internet <URL: <http://www.mobilitysite.com/2007/07/kingston-technology-introduces-datatraveler-100-with-thumb-action-retractable-usb-connector/>>.\*

(21) Appl. No.: **29/339,221**

Huawei unwraps 21Mb/s HSDPA dongle • reghardware, [online] posted on Mar. 4, 2009 [retrieved on May 17, 2010]. Retrieved from the Internet <URL: [http://www.reghardware.co.uk/2009/03/04/huawei\\_e182e\\_launch/](http://www.reghardware.co.uk/2009/03/04/huawei_e182e_launch/)>.\*

(22) Filed: **Jun. 26, 2009**

(51) **LOC (9) Cl.** ..... **14-02**

(52) **U.S. Cl.** ..... **D14/480.7**

(58) **Field of Classification Search** ..... D14/356,  
D14/411, 433, 435.1, 436, 137, 155, 167,  
D14/168, 203.1–203.8, 240, 242, 299, 480.1–480.7,  
D14/484.1; D3/201, 273; D13/107, 108,  
D13/149, 184; 710/300, 301; 439/131, 135–147;  
361/679.31, 679.33, 679.4, 752; 711/100,  
711/115

(Continued)

*Primary Examiner*—Cathron C Brooks  
*Assistant Examiner*—Karen E Kearney  
(74) *Attorney, Agent, or Firm*—Roger H. Chu

See application file for complete search history.

(57) **CLAIM**

The ornamental design for a portable flash memory device, as shown and described.

(56) **References Cited**

**DESCRIPTION**

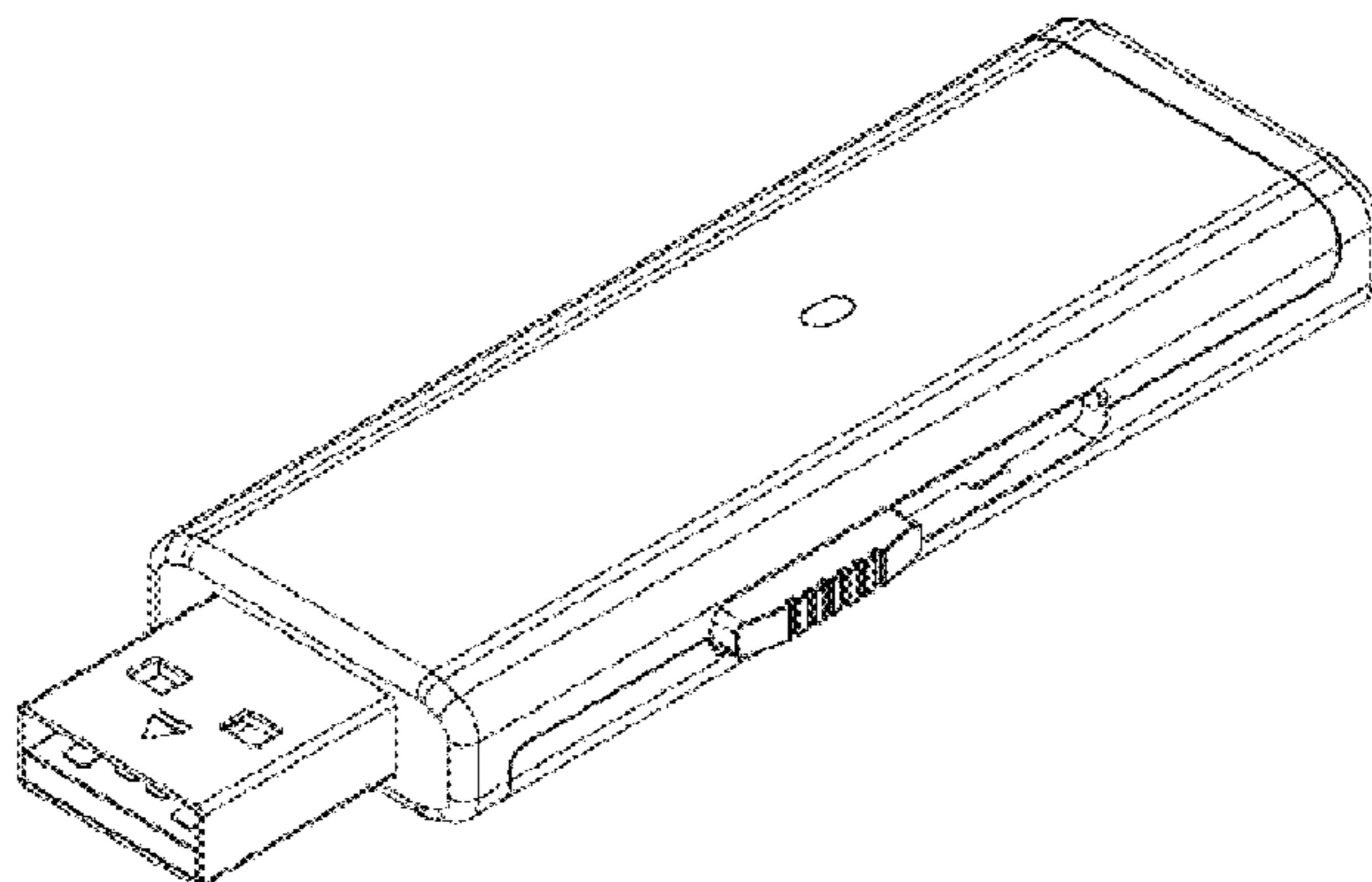
**U.S. PATENT DOCUMENTS**

D494,969	S *	8/2004	Lin	.....	D14/480.7
6,808,400	B2 *	10/2004	Tu	.....	439/131
D500,485	S *	1/2005	Deguchi	.....	D14/480.1
7,095,617	B1 *	8/2006	Ni	.....	361/736
7,179,099	B2 *	2/2007	Hsieh	.....	439/131
D541,796	S *	5/2007	Chen	.....	D14/480.7
D541,797	S *	5/2007	Chen	.....	D14/480.3
D545,311	S *	6/2007	Wai	.....	D14/356
D547,758	S *	7/2007	Ho et al.	.....	D14/480.7
D552,592	S *	10/2007	Deguchi	.....	D14/167
7,307,849	B2 *	12/2007	Ho et al.	.....	361/737
D563,954	S *	3/2008	Buchanon	.....	D14/356
7,422,454	B1 *	9/2008	Tang et al.	.....	439/131
D587,266	S *	2/2009	Deguchi	.....	D14/356
7,524,198	B2 *	4/2009	Nguyen et al.	.....	439/131
D602,941	S *	10/2009	Lo	.....	D14/480.7
2006/0211283	A1 *	9/2006	Weng	.....	439/131

FIG. 1 is a perspective view of a portable flash memory device showing our new design;  
FIG. 2 is a perspective view showing an extended position of the portable flash memory device;  
FIG. 3 is a front view thereof;  
FIG. 4 is a rear view thereof;  
FIG. 5 is a right side view thereof;  
FIG. 6 is a left side view thereof;  
FIG. 7 is a top view thereof; and,  
FIG. 8 is a bottom view thereof.

It is understood that FIG. 1 and FIGS. 3-7 are shown in a stowed position.

**1 Claim, 4 Drawing Sheets**

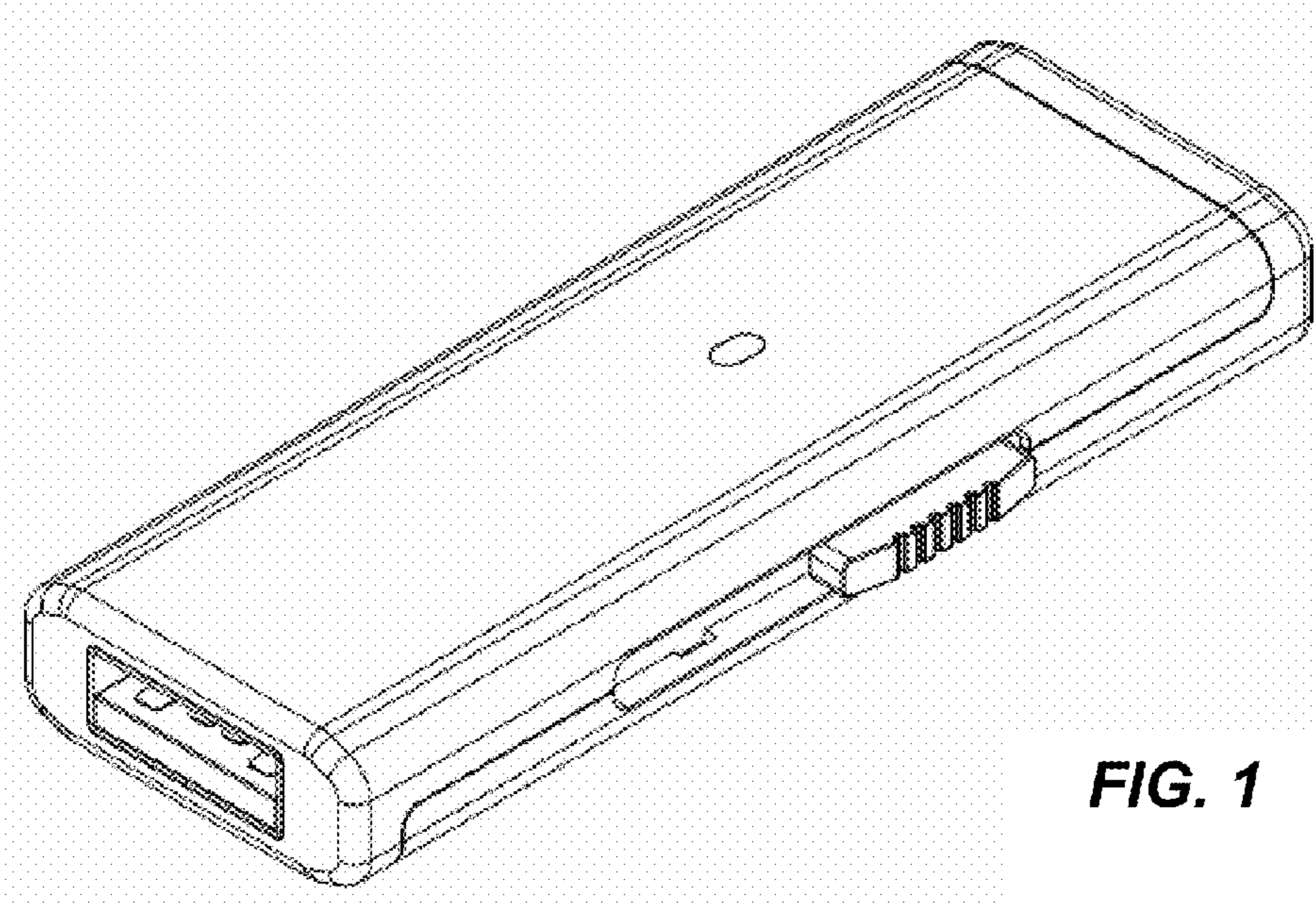


OTHER PUBLICATIONS

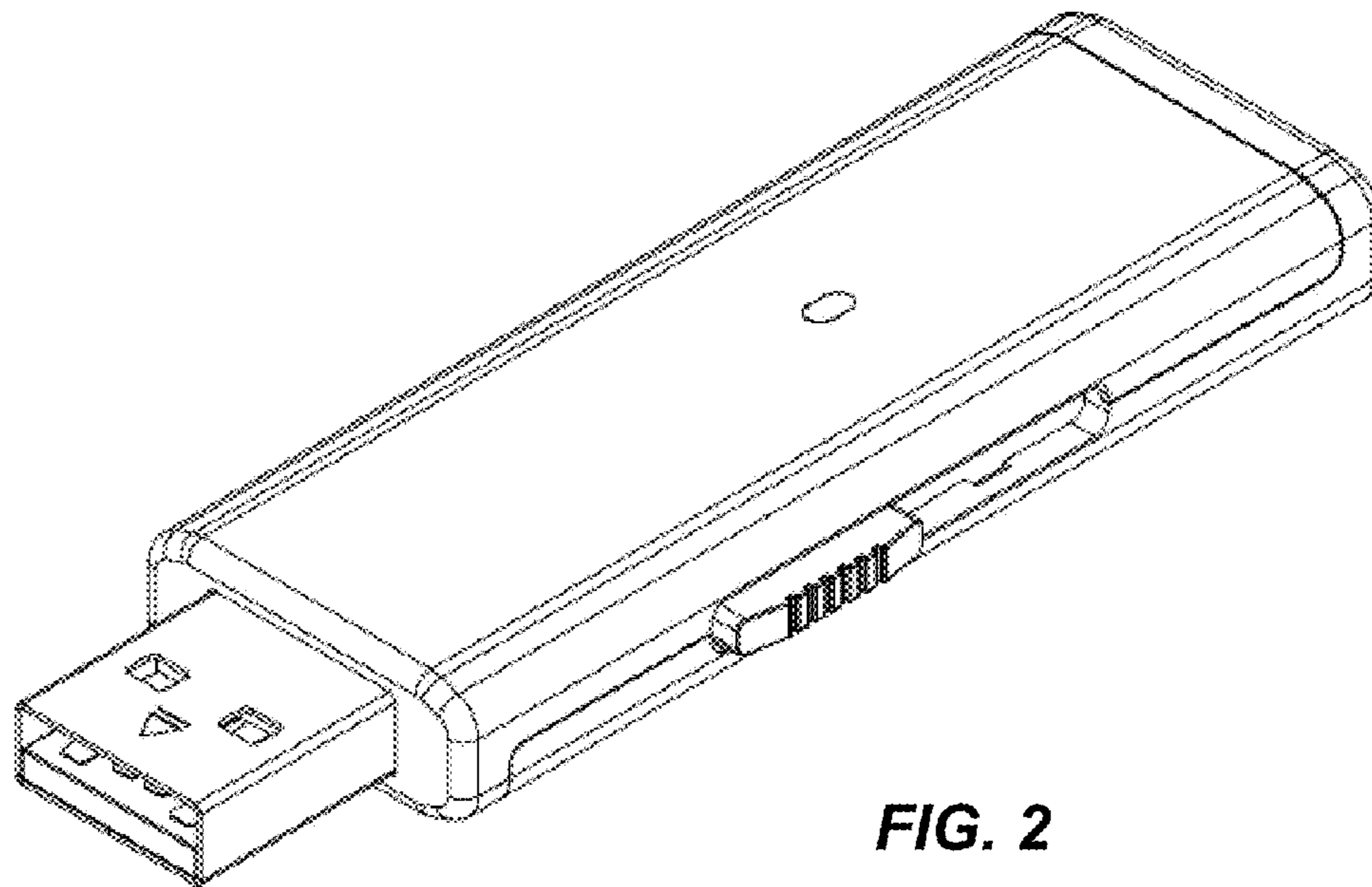
Lexar JumpDrive TwistTurn and JumpDrive Retrax USB Flash Drives, [online] posted on Jan. 31, 2009 [retrieved from the Internet <URL: [http://www.pclaunches.com/hard\\_drive/lexar\\_jumpdrive\\_twistturn\\_and\\_jumpdrive\\_retrax\\_usb\\_flash\\_drives.php](http://www.pclaunches.com/hard_drive/lexar_jumpdrive_twistturn_and_jumpdrive_retrax_usb_flash_drives.php)>].\*

Lexar Flash Drives|Lexar JumpDrive|FireFly|Lightning|Secure—Buy & Blog, [online] posted on Sep. 10, 2009 [retrieved on May 17, 2010]. Retrieved from the Internet <URL: <http://www.usbmemorysticks.net/lexar-flash-drives>>].\*

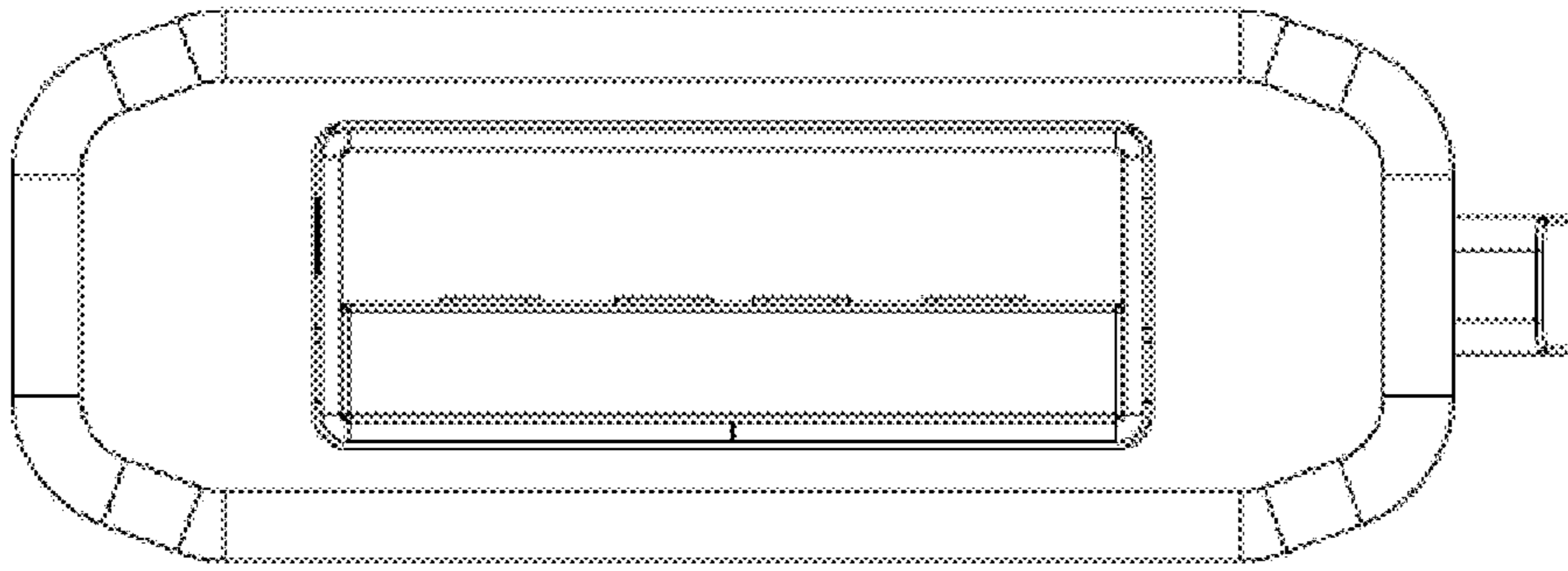
\* cited by examiner



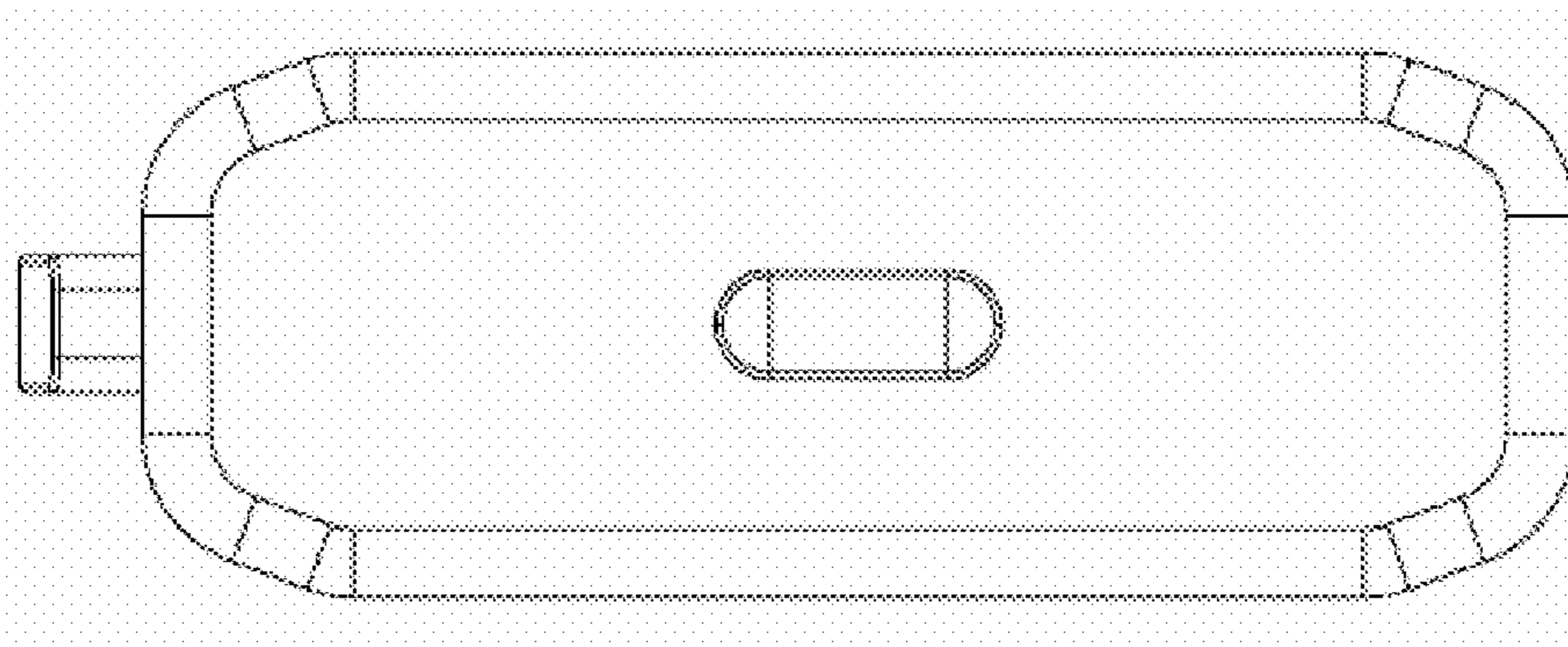
**FIG. 1**



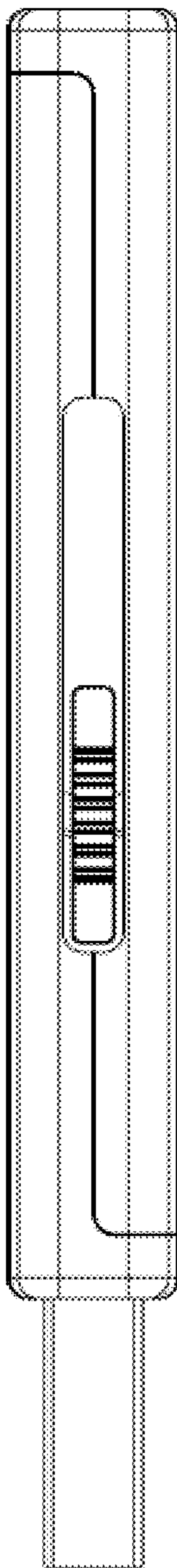
**FIG. 2**



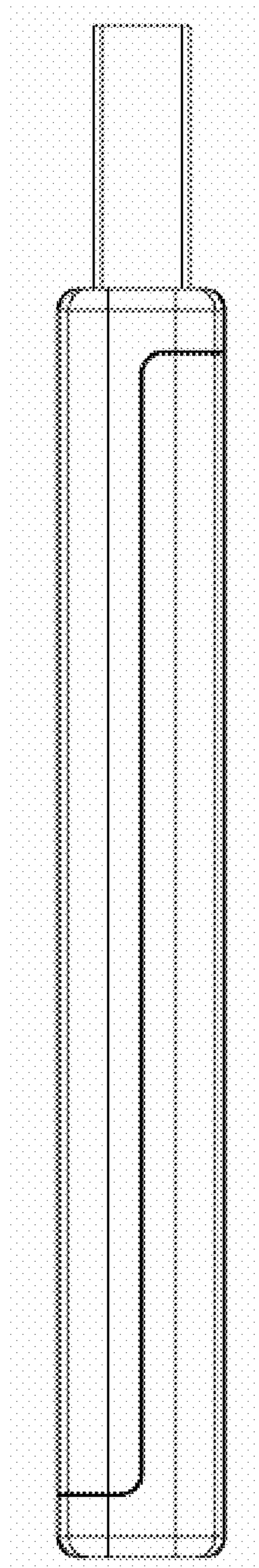
**FIG. 3**



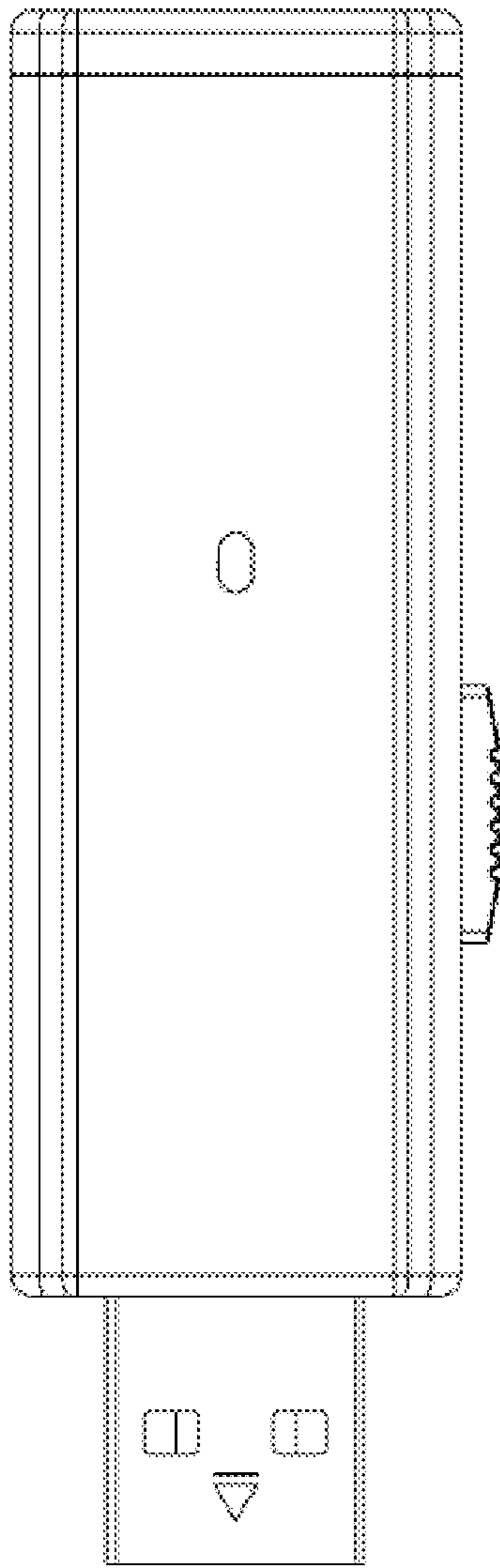
**FIG. 4**



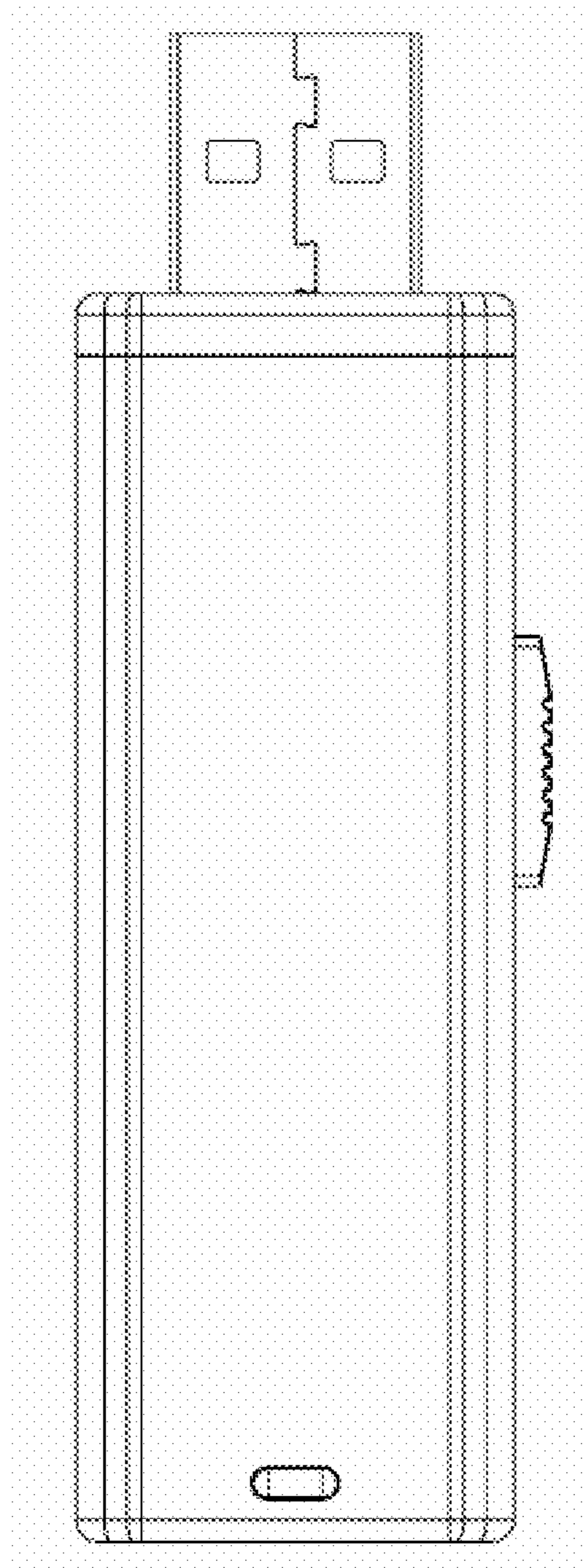
**FIG. 5**



**FIG. 6**



**FIG. 7**



**FIG. 8**