



US00D620016S

(12) **United States Design Patent**
Lo

(10) **Patent No.:** **US D620,016 S**
(45) **Date of Patent:** **** Jul. 20, 2010**

(54) **USB FLASH DISK**

(76) **Inventor:** **Yu-Nan Lo**, No. 8, Lane 45, Ciancun E. Rd., Daya Township, Taichung County 42852 (TW)

(**) **Term:** **14 Years**

(21) **Appl. No.:** **29/346,012**

(22) **Filed:** **Oct. 25, 2009**

(51) **LOC (9) Cl.** **14-02**

(52) **U.S. Cl.** **D14/480.6**

(58) **Field of Classification Search** D14/356,
D14/411, 433, 435.1, 436, 137, 155, 167,
D14/168, 203.1–203.8, 240, 242, 299, 480.1–480.7,
D14/484.1; D3/201, 273; D13/107, 108,
D13/149, 184; 710/300, 301; 439/131, 135–147;
361/679.31, 679.33, 679.4, 752; 711/100,
711/115

See application file for complete search history.

(56) **References Cited**

U.S. PATENT DOCUMENTS

D500,301 S *	12/2004	Deguchi	D14/480.1
6,926,544 B2 *	8/2005	Lee	439/147
D548,233 S *	8/2007	Loftus	D14/356
D556,751 S *	12/2007	Rambosek et al.	D14/356
D580,434 S *	11/2008	Kim	D14/356
D581,926 S *	12/2008	Kim	D14/356
2005/0130469 A1 *	6/2005	Ikenoue	439/131
2007/0054522 A1 *	3/2007	Choi et al.	439/144
2007/0063249 A1 *	3/2007	Rambosek et al.	257/315
2008/0019090 A1 *	1/2008	Zhu et al.	361/684
2008/0026614 A1 *	1/2008	Emerson et al.	439/136
2008/0276099 A1 *	11/2008	Nguyen et al.	713/186
2008/0288697 A1 *	11/2008	Kim	710/300
2010/0075517 A1 *	3/2010	Ni et al.	439/131

OTHER PUBLICATIONS

Design Registration No. 300522949.0000 [Korea], filed on Apr. 22, 2008, registered on Mar. 6, 2009.*

Design Registration No. 300497303.0000 [Korea], filed on Dec. 17, 2007, registered on Jun. 30, 2008.*

Design Registration No. 4005101 [Great Britain], filed Oct. 29, 2007.*

Design Registration No. 300735882 [China], filed Mar. 15, 2007, registered on Jan. 23, 2008.*

Design Registration No. 300470580.0000 [Korea], filed on Feb. 9, 2007, registered on Nov. 21, 2007.*

Design Registration No. 070032-004 [France], filed on Jan. 8, 2007.*

Laptoplog >> Usb: Memoria Flash Swivel USB de 4Gb, p. 10 [online] posted on Dec. 20, 2005 [retrieved on Jan. 30, 2007]. Retrieved from the Internet <URL: <http://www.laptoplog.com/category/accesorios/usb/>>.*

sosoft.net, [online], [retrieved on Dec. 4, 2006]. Retrieved from the Internet <URL: <http://www.sosoft.net/product/imation/5464-3.png>>.*

(Continued)

Primary Examiner—Cathron C Brooks
Assistant Examiner—Karen E Kearney
(74) *Attorney, Agent, or Firm*—Banger Shia

(57) **CLAIM**

The ornamental design for a USB flash disk, as shown and described.

DESCRIPTION

FIG. 1 is a perspective view of a USB flash disk showing my new design;

FIG. 2 is a front elevational view thereof;

FIG. 3 is a rear elevational view thereof;

FIG. 4 is a left side elevational view thereof;

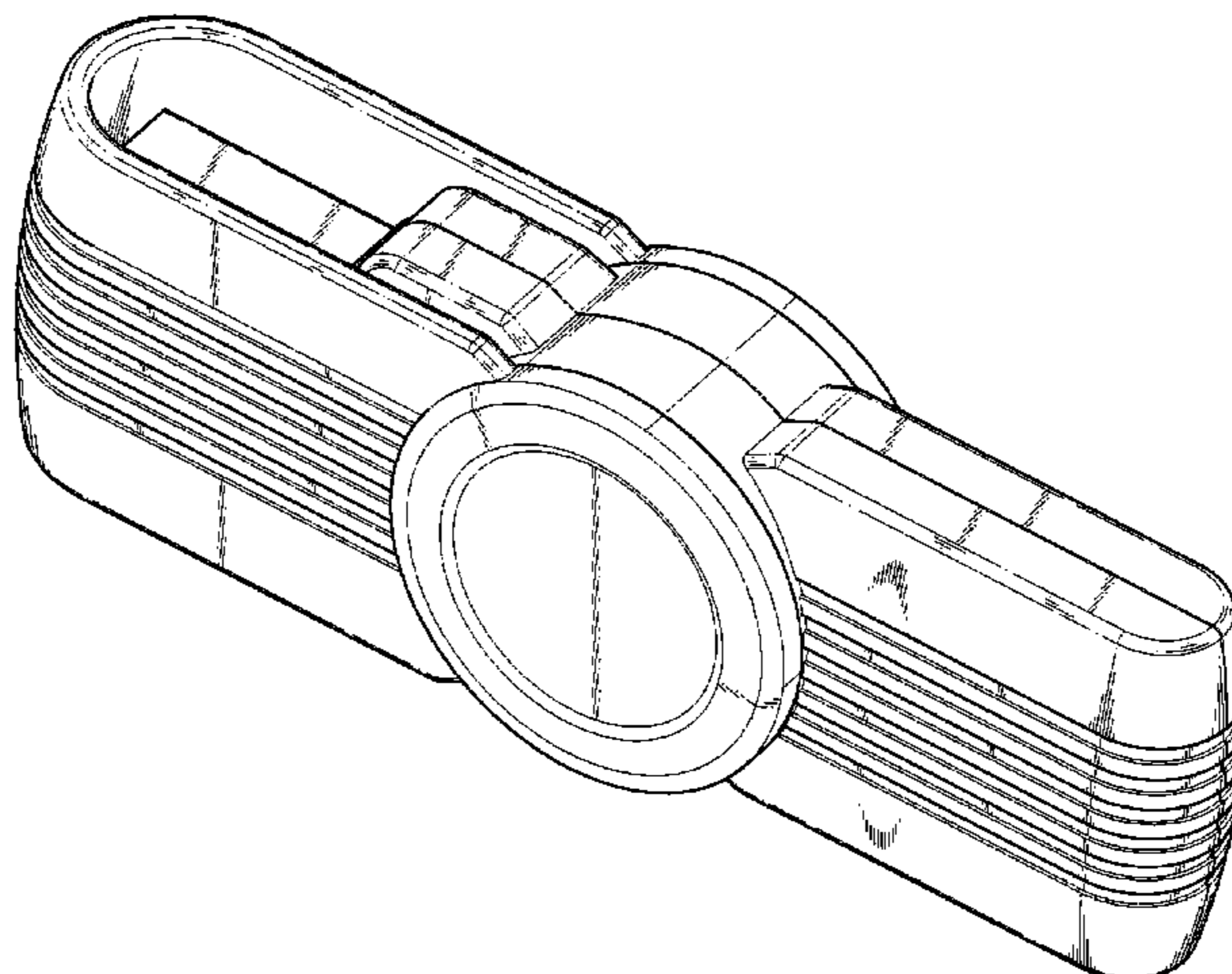
FIG. 5 is a right side elevational view thereof;

FIG. 6 is a top plan view thereof;

FIG. 7 is a bottom plan view thereof ; and,

FIG. 8 is a perspective view thereof, wherein the device is shown in an open position.

1 Claim, 7 Drawing Sheets



OTHER PUBLICATIONS

Functional Keychains: USB Rechargeable Keychain Light, Web Archive [online] Dec. 26, 2005 [retrieved on Dec. 6, 2006]. Retrieved from the Internet <URL: <http://web.archive.org/web/20051226115851/http://www.promotionalkeychains.biz/usb-keychain-light.html>>.*

CellMate Single-Slt Multi-Card Reader Manufacturer, [online], [retrieved on Jan. 8, 2007]. Retrieved from the Internet <URL: <http://www.globalsources.com/gsol1/Memory-card/p/bg/1000647651.htm>>.*

* cited by examiner

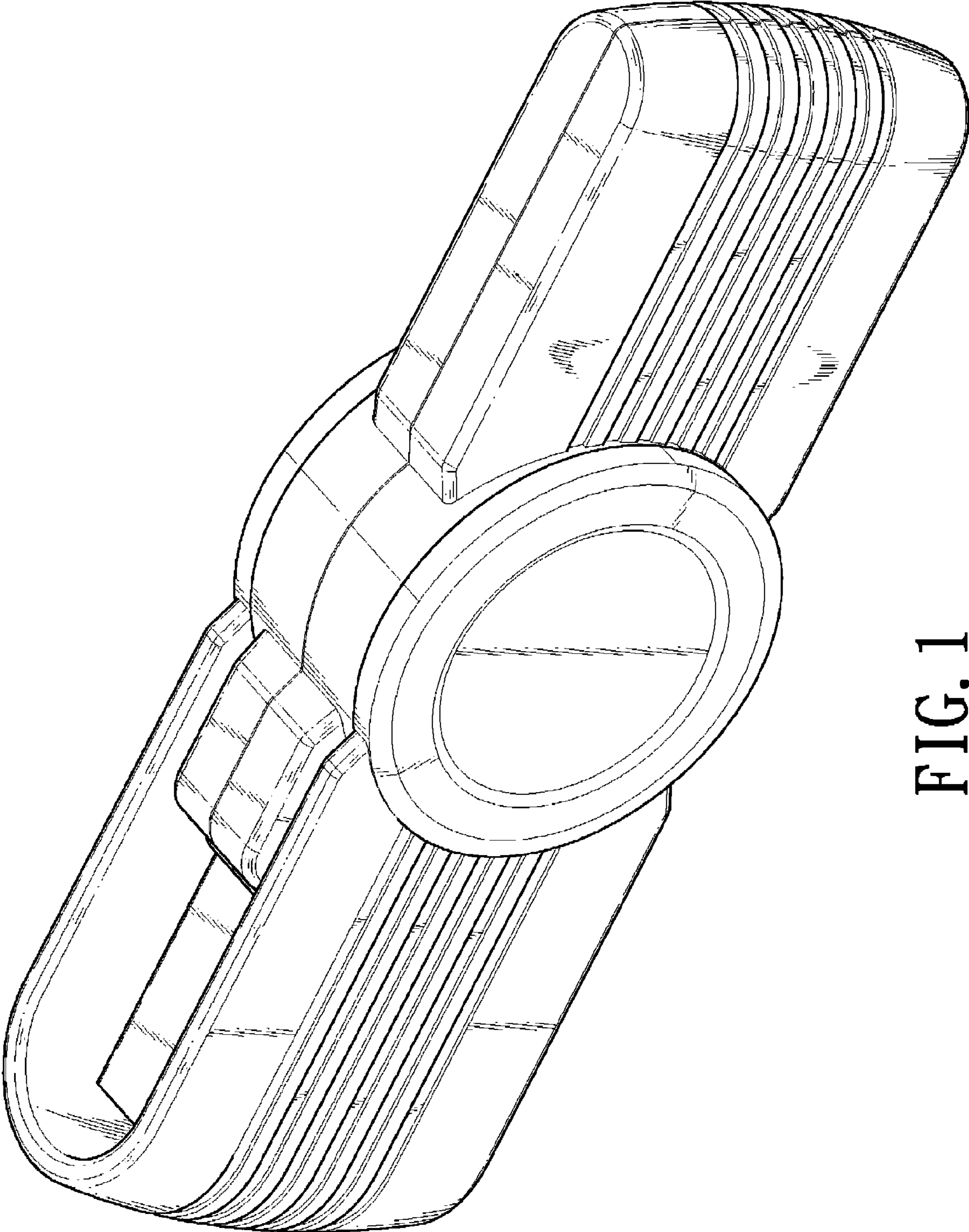


FIG. 1

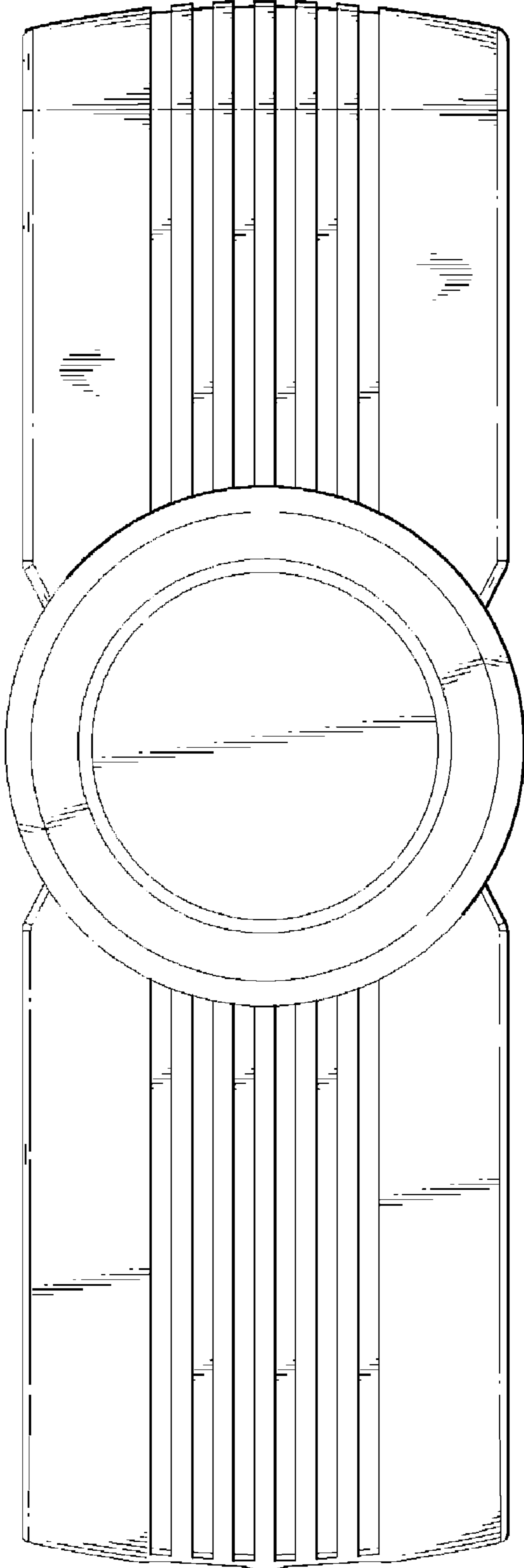


FIG. 2

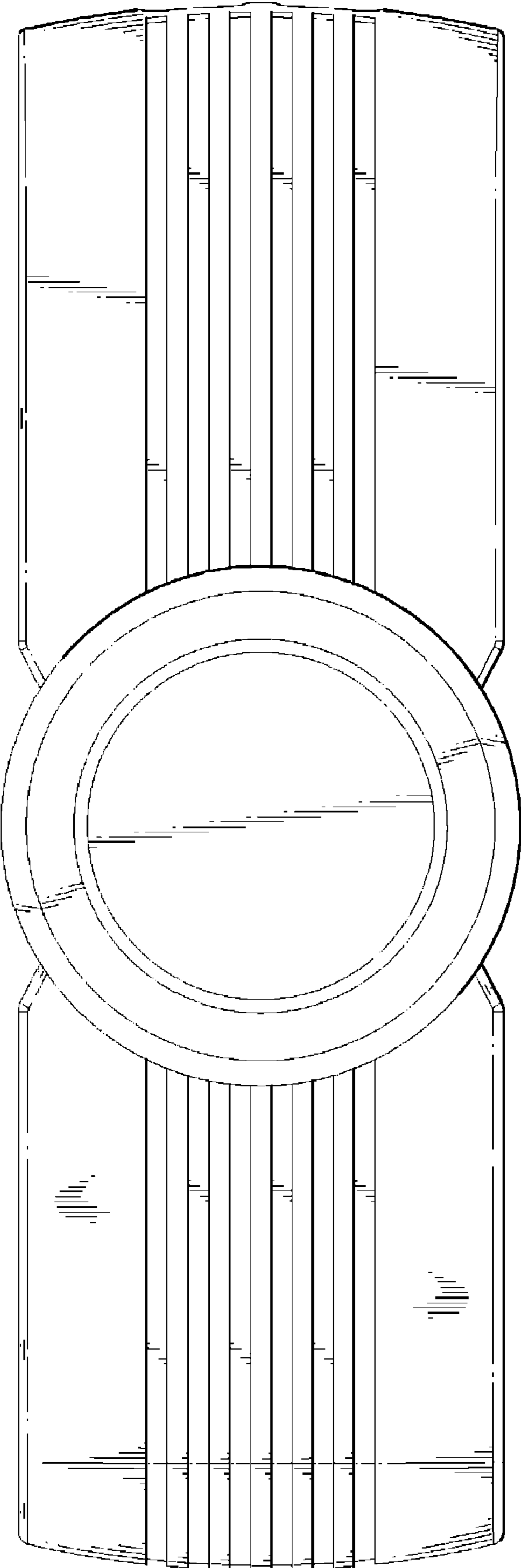


FIG. 3

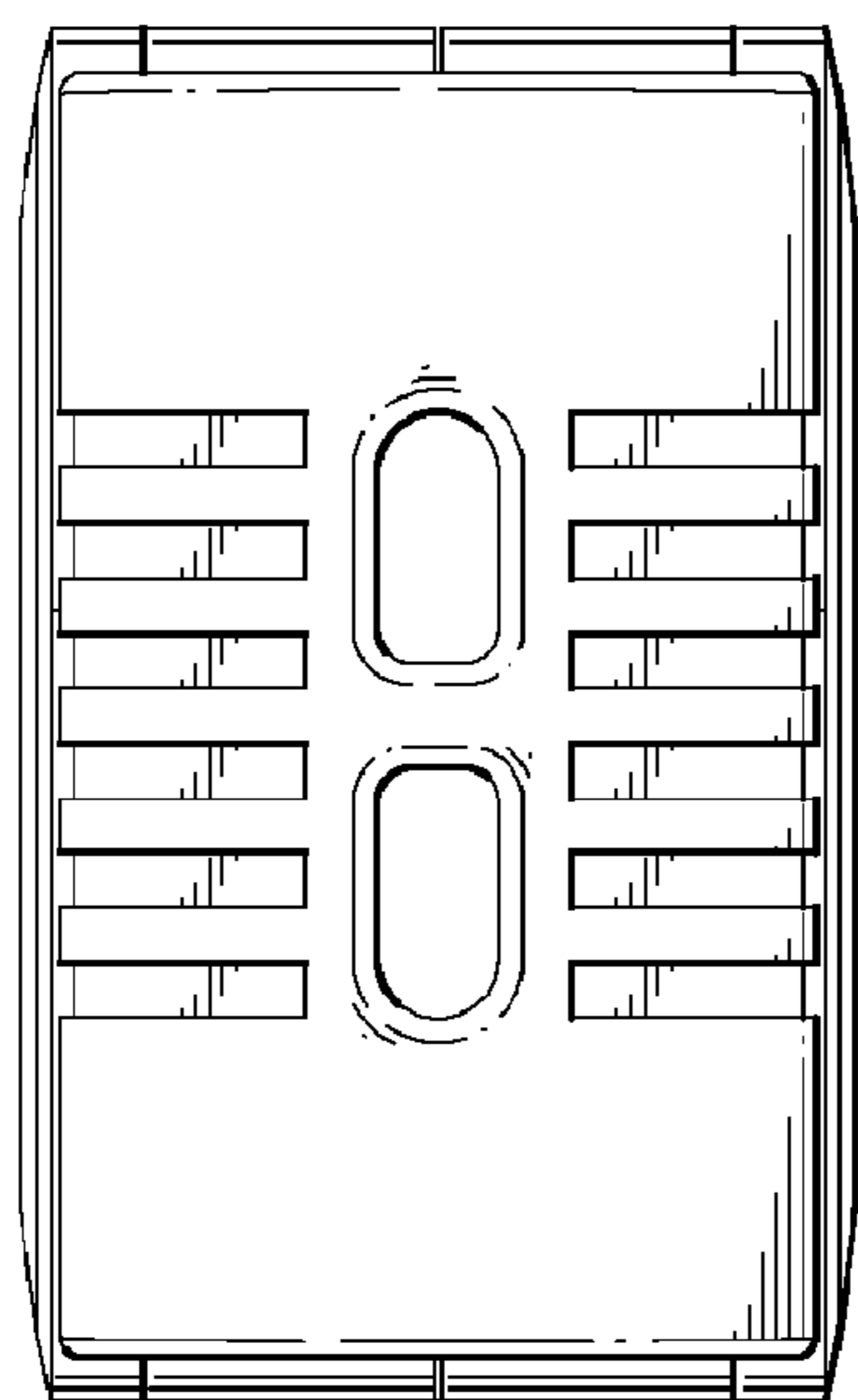


FIG. 4

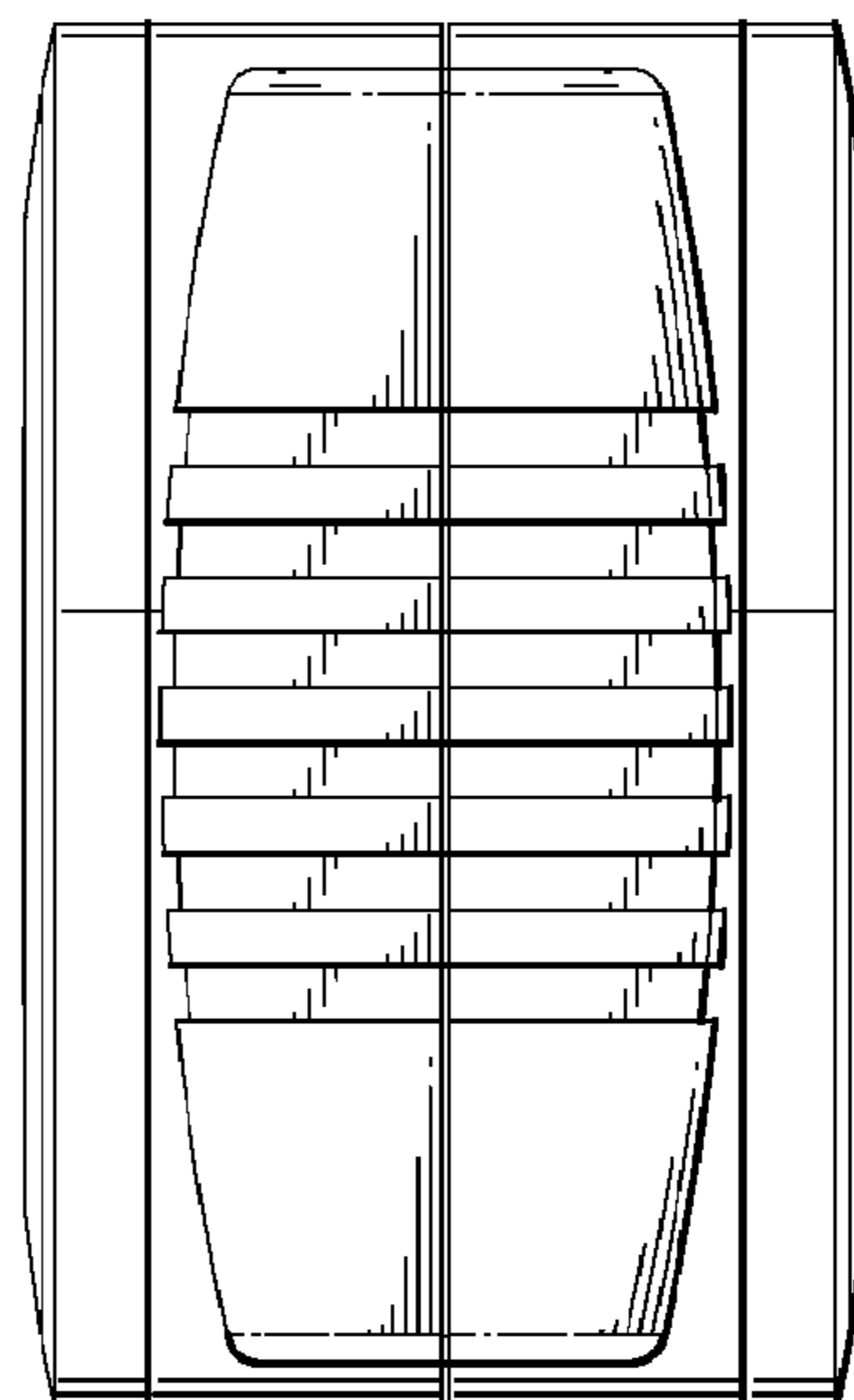


FIG. 5

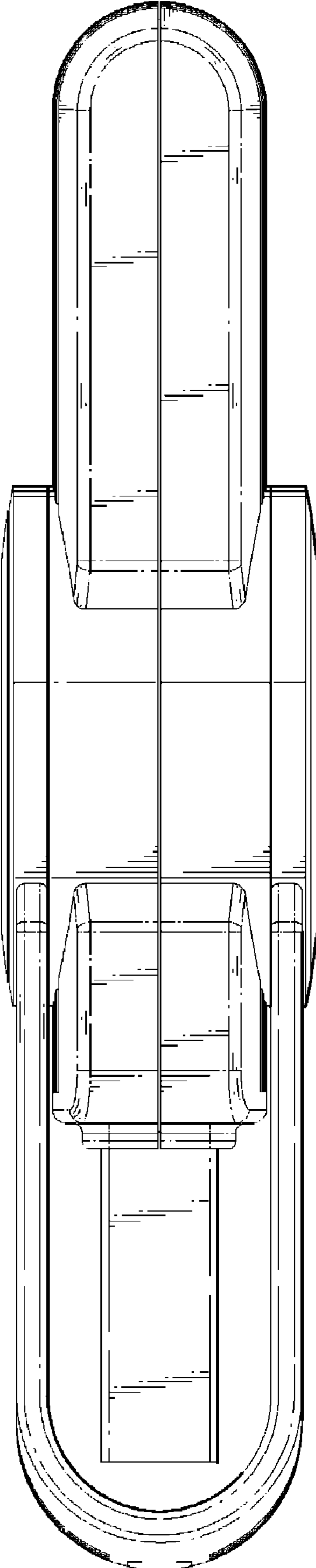


FIG. 6

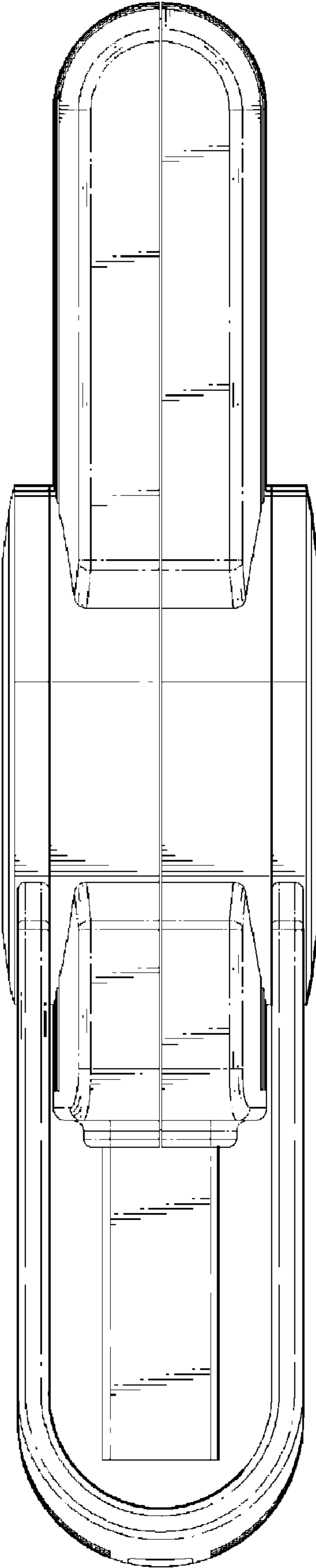


FIG. 7

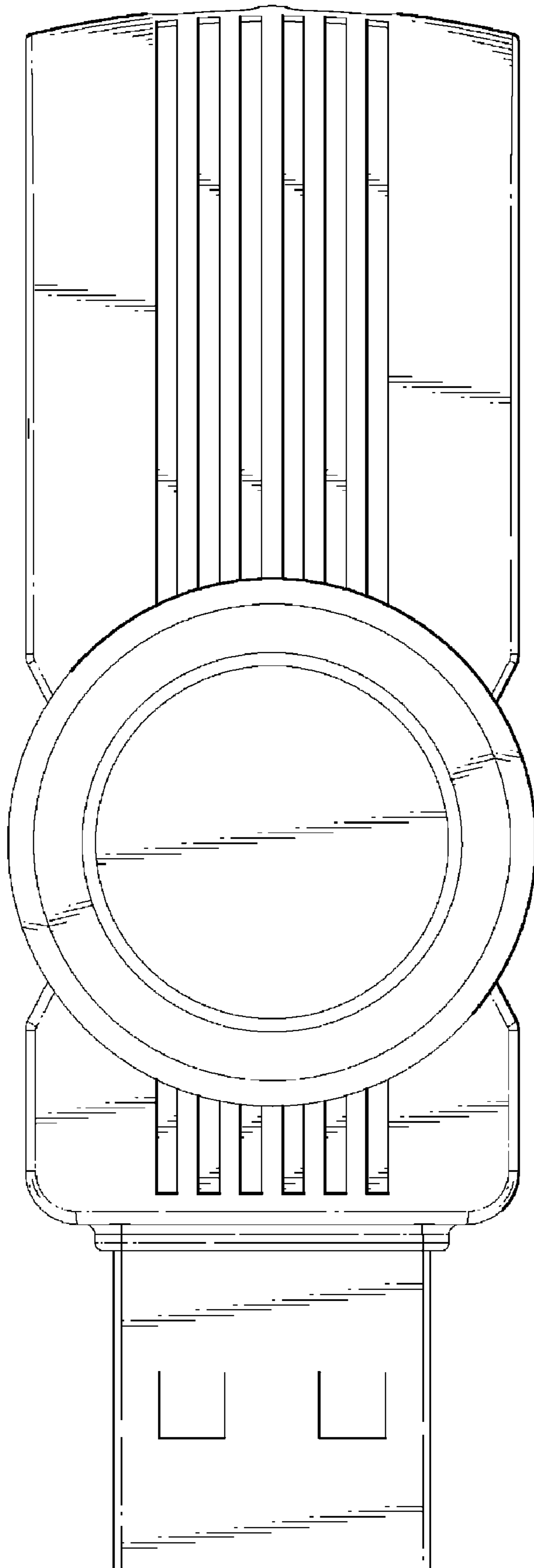


FIG. 8