



US00D620015S

(12) **United States Design Patent**  
**Nan et al.**

(10) **Patent No.:** **US D620,015 S**  
(45) **Date of Patent:** **\*\* Jul. 20, 2010**

(54) **PORTABLE FLASH MEMORY DEVICE**

2010/0075517 A1\* 3/2010 Ni et al. .... 439/131

(75) Inventors: **Nan Nan**, San Jose, CA (US); **Jin Kyu Kim**, San Jose, CA (US)

(73) Assignee: **Super Talent Electronics, Inc.**, San Jose, CA (US)

(\*\*) Term: **14 Years**

(21) Appl. No.: **29/339,219**

(22) Filed: **Jun. 26, 2009**

(51) **LOC (9) Cl.** ..... **14-02**

(52) **U.S. Cl.** ..... **D14/480.6**

(58) **Field of Classification Search** ..... D14/356,  
D14/411, 433, 435.1, 436, 137, 155, 167,  
D14/168, 203.1-203.8, 240, 242, 299, 480.1-480.7,  
D14/484.1; D3/201, 273; D13/107, 108,  
D13/149, 184; 710/300, 301; 439/131, 135-147;  
361/679.31, 679.33, 679.4, 752; 711/100,  
711/115

See application file for complete search history.

(56) **References Cited**

**U.S. PATENT DOCUMENTS**

6,926,544	B2 *	8/2005	Lee	.....	439/147
D520,995	S *	5/2006	Chang	.....	D14/480.6
D556,195	S *	11/2007	Lin	.....	D14/356
D556,751	S *	12/2007	Rambosek et al.	.....	D14/356
D580,434	S *	11/2008	Kim	.....	D14/356
D581,926	S *	12/2008	Kim	.....	D14/356
7,473,112	B2 *	1/2009	Zhu et al.	.....	439/142
D606,078	S *	12/2009	Chen	.....	D14/480.6
2006/0002069	A1 *	1/2006	Chuang	.....	361/683
2007/0054522	A1 *	3/2007	Choi et al.	.....	439/144
2008/0019090	A1 *	1/2008	Zhu et al.	.....	361/684
2008/0026614	A1 *	1/2008	Emerson et al.	.....	439/136
2008/0232060	A1 *	9/2008	Yu et al.	.....	361/684
2008/0276099	A1 *	11/2008	Nguyen et al.	.....	713/186
2008/0278902	A1 *	11/2008	Nguyen et al.	.....	361/684
2008/0288697	A1 *	11/2008	Kim	.....	710/300

**OTHER PUBLICATIONS**

Design Registration No. 300519944.0000 [Korea], filed on Oct. 23, 2008, registered on Feb. 6, 2009.\*

Design Registration Application No. 000846167-0001+0002 [Europe], registered on Dec. 19, 2007.\*

Design Registration No. 300497303.0000 [Korea], filed on Dec. 17, 2007, registered on Jun. 30, 2008.\*

Design Registration No. 300493277.0000 [Korea], filed on Mar. 28, 2008, registered on May 28, 2008.\*

(Continued)

*Primary Examiner*—Cathron C Brooks

*Assistant Examiner*—Karen E Kearney

(74) *Attorney, Agent, or Firm*—Roger H. Chu

(57) **CLAIM**

The ornamental design for a portable flash memory device, as shown and described.

**DESCRIPTION**

FIG. 1 is a perspective view of a portable flash memory device showing our new design;

FIG. 2 is a perspective view showing an open position of the portable flash memory device;

FIG. 3 is a front view thereof;

FIG. 4 is a rear view thereof;

FIG. 5 is a right side view thereof;

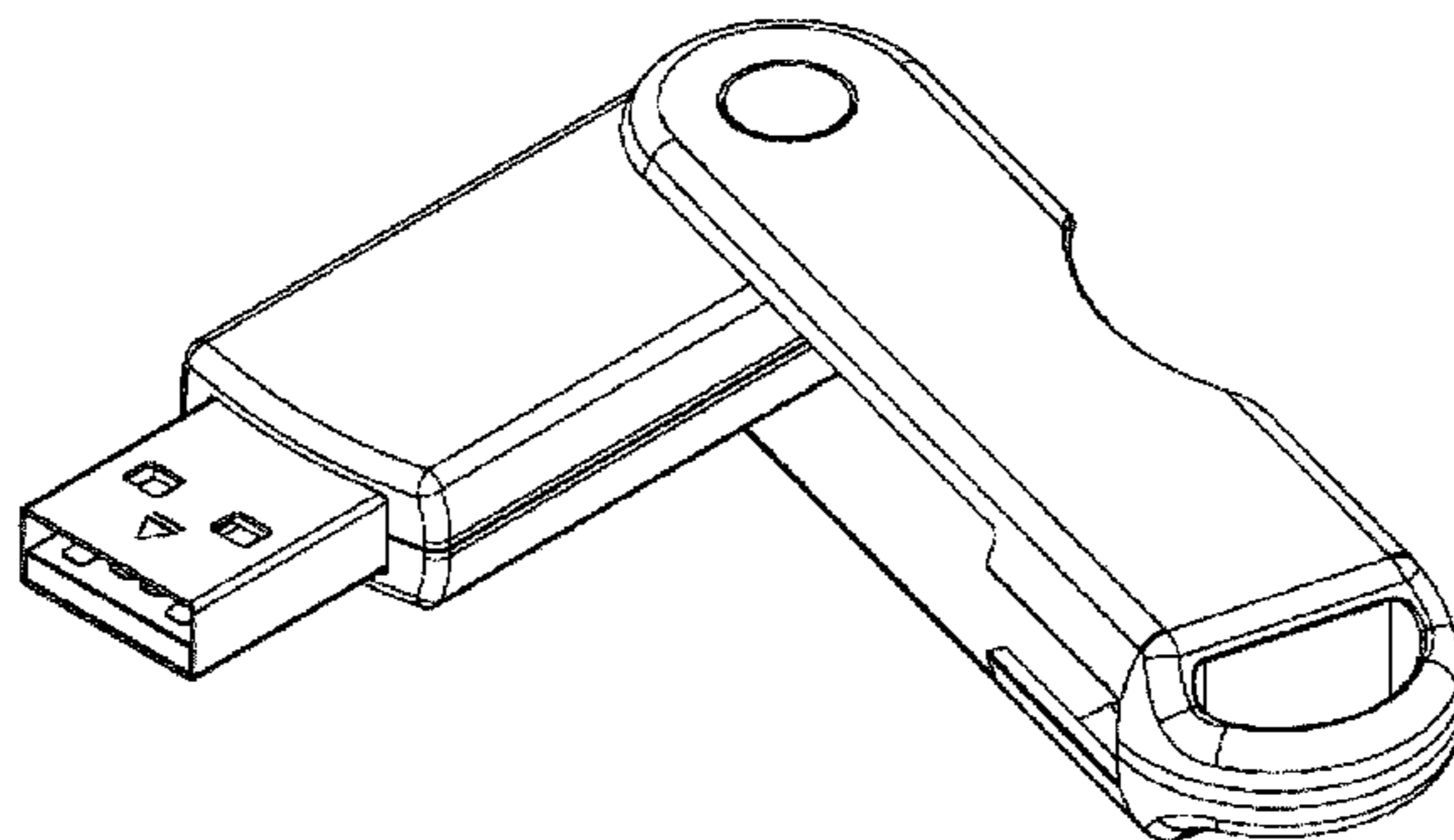
FIG. 6 is a left side view thereof;

FIG. 7 is a top view thereof; and,

FIG. 8 is a bottom view thereof.

It is understood that FIG. 1 and FIGS. 3-8 are shown in a closed position.

**1 Claim, 4 Drawing Sheets**



OTHER PUBLICATIONS

Design Registration No. 4005101 [Great Britain], registered on Oct. 29, 2007.\*

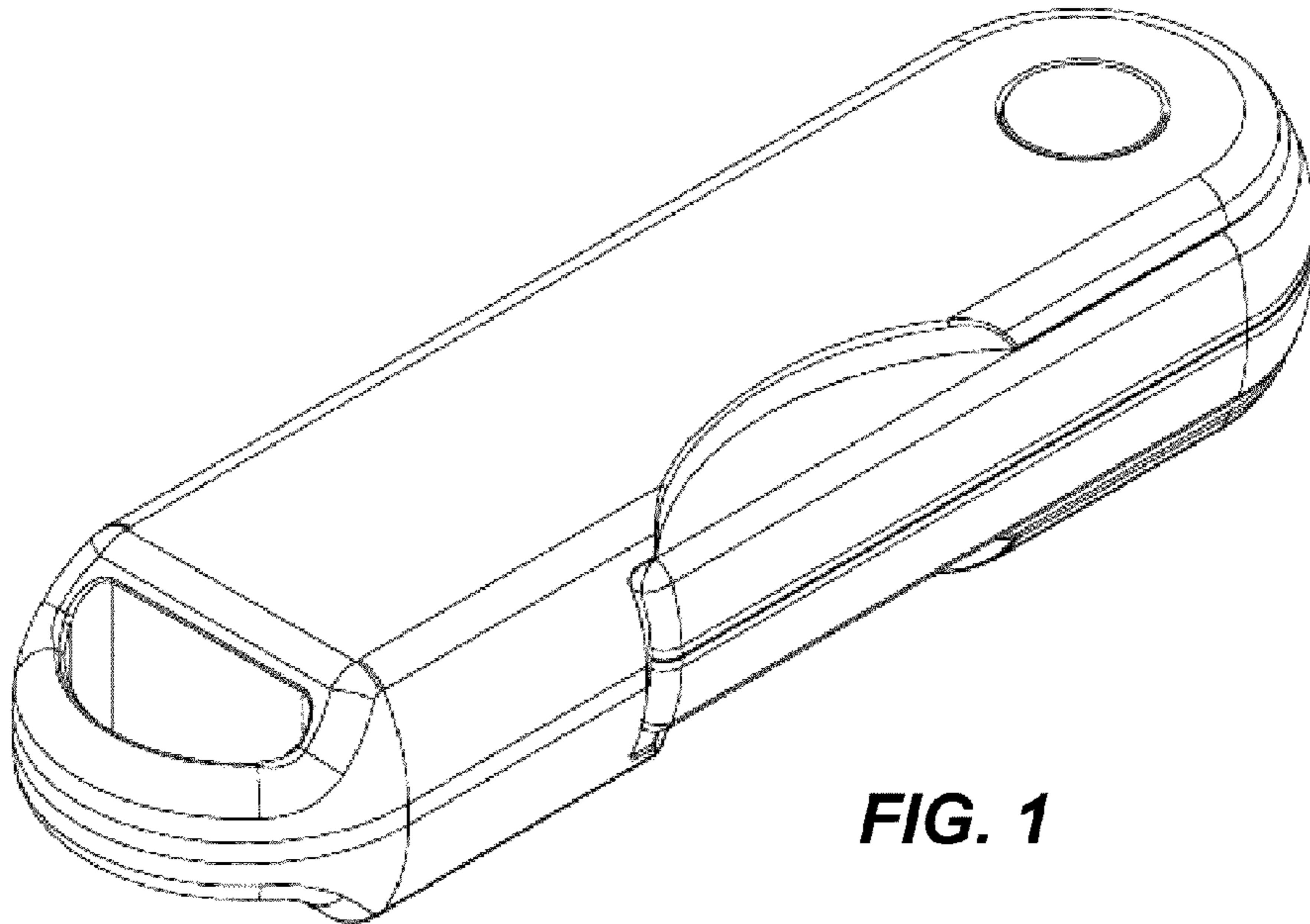
Design Registration No. 300438605.0000 [Korea], filed on Jun. 27, 2006, registered on Jan. 23, 2007.\*

byteStar, Amazon.com, Web Archive [online] last updated Nov. 24, 2005 [retrieved on Dec. 13, 2006]. Retrieved from the Internet

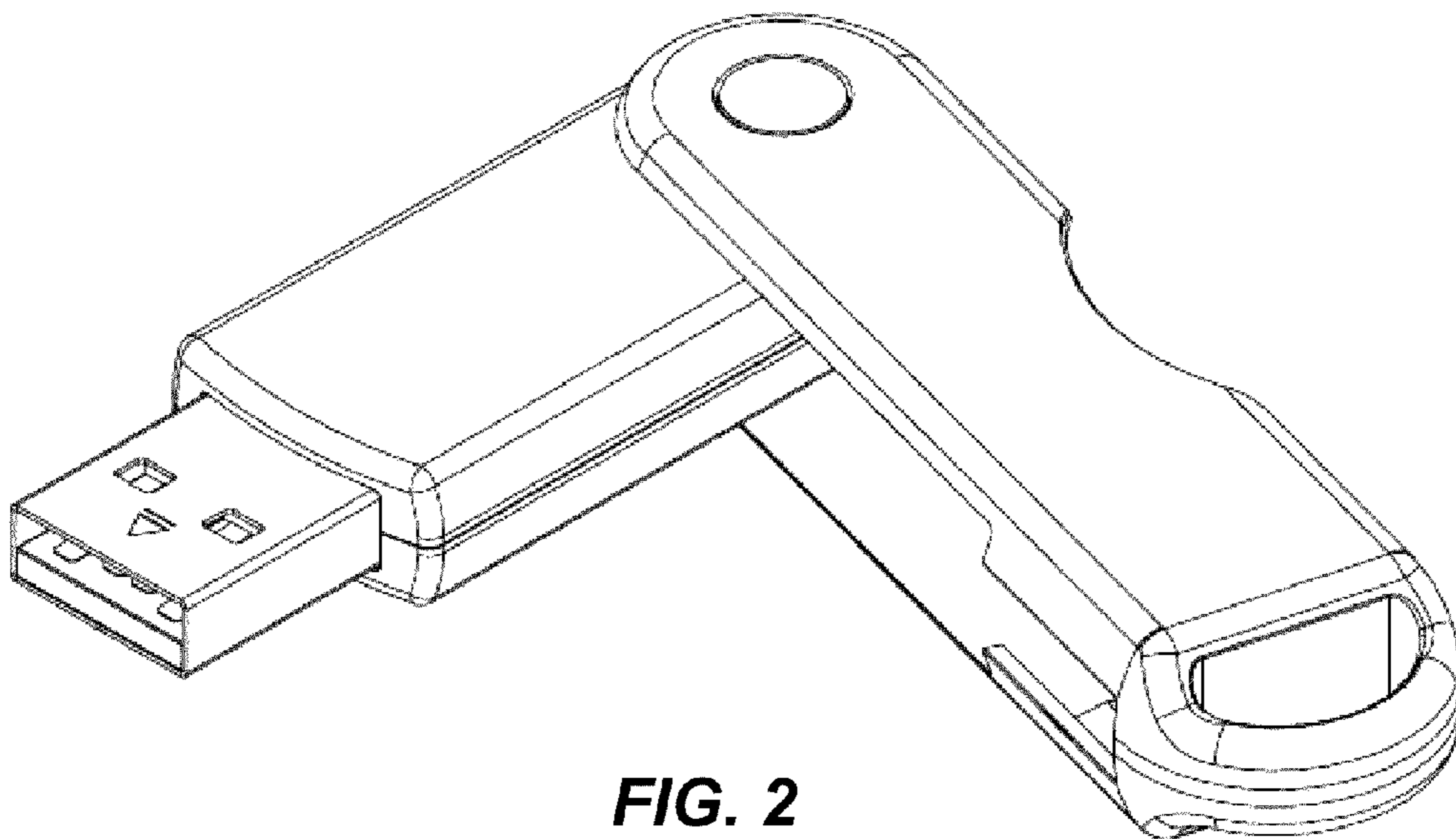
<URL: <http://web.archive.org/web/20051124213100/http://images-eu.amazon.com/images/P/B000A0D8JK.02.LZZZZZZZ.jpg>>.\*

Rotatable Card Reader Manufacturer, [online], [retrieved on Jan. 8, 2007]. Retrieved from the Internet <URL: <http://www.globalsources.com/gsol/1/Memory-card/p/bg/1001397133.htm>>.\*

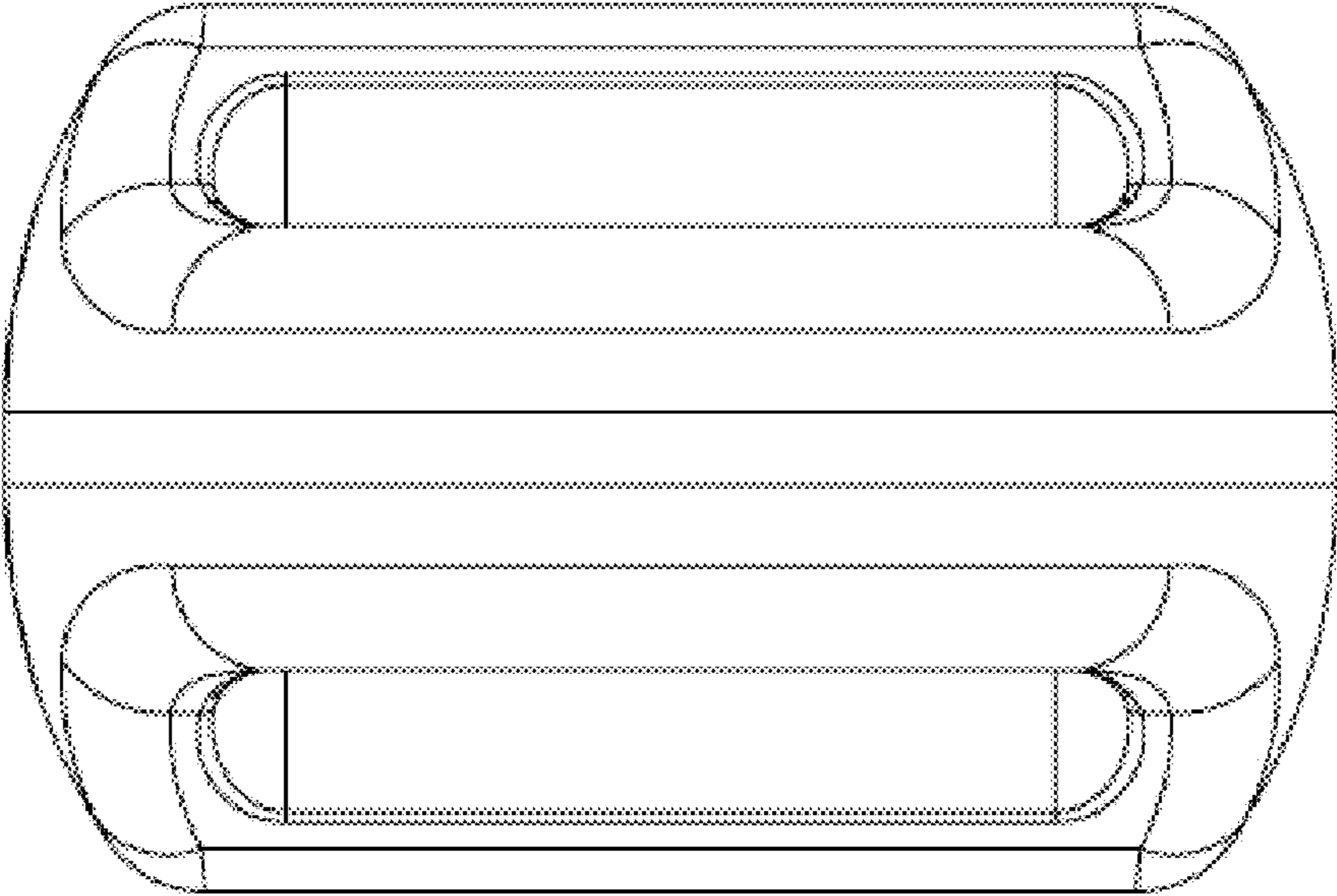
\* cited by examiner



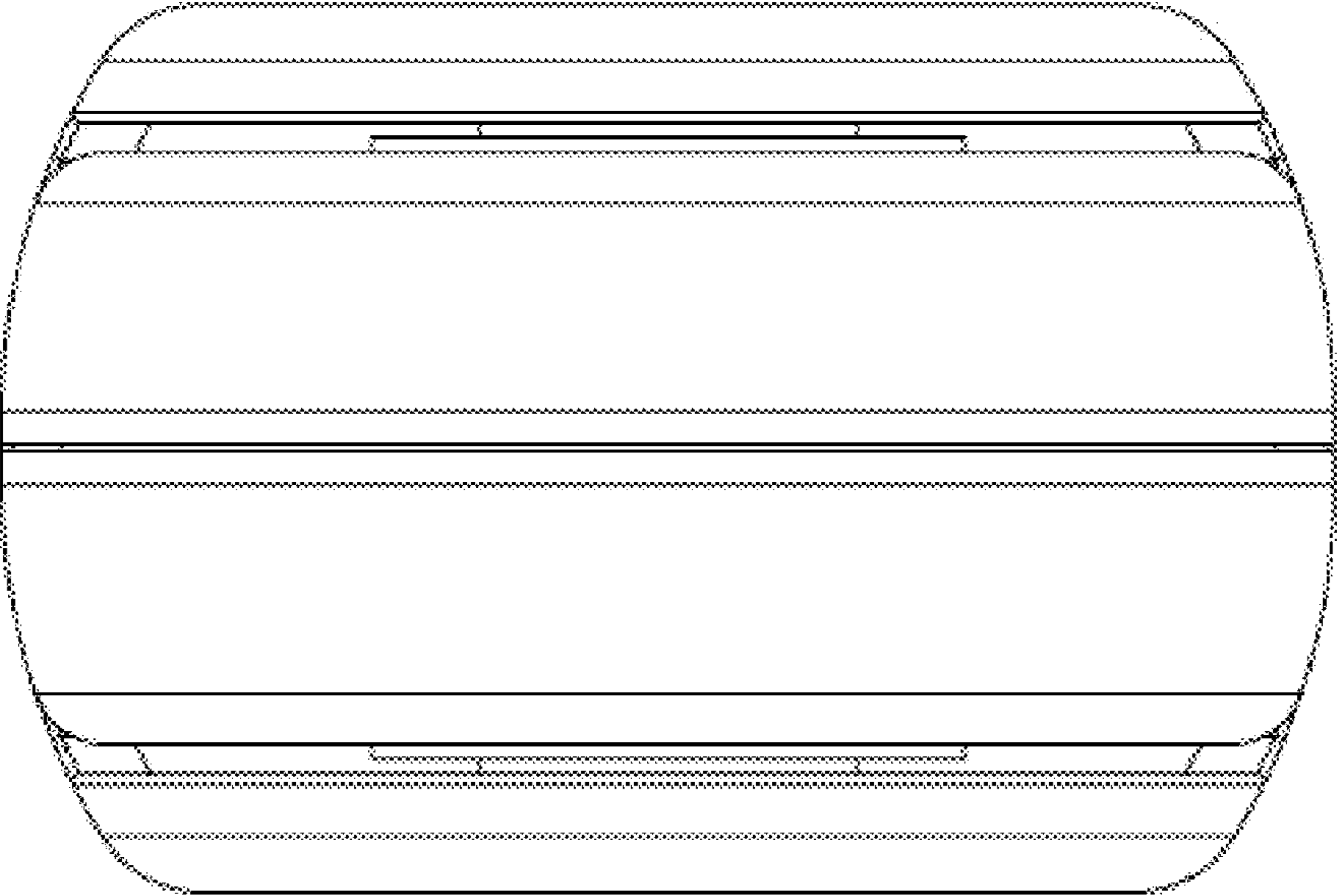
**FIG. 1**



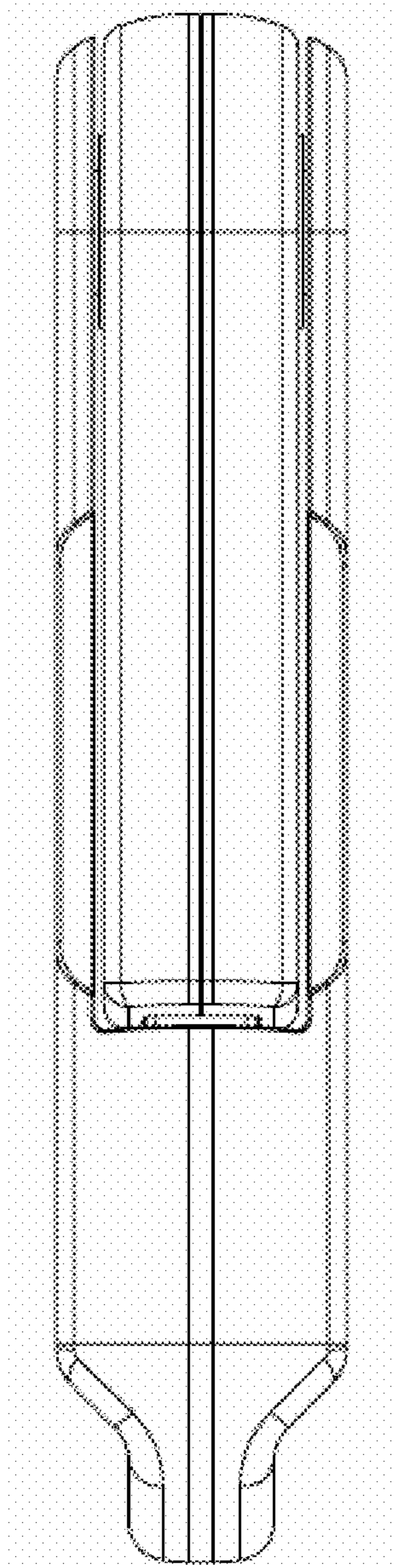
**FIG. 2**



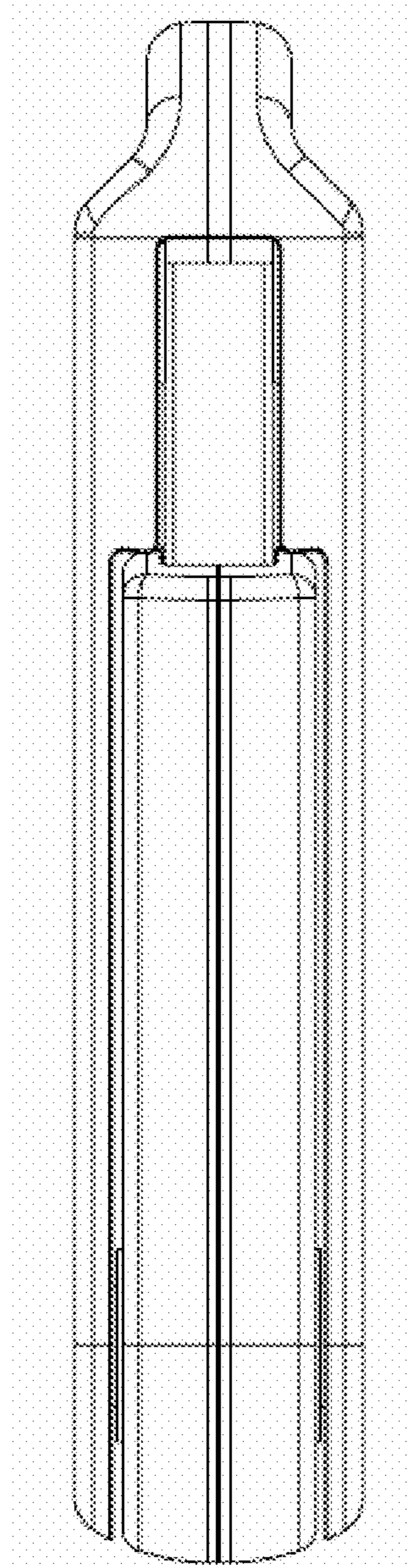
**FIG. 3**



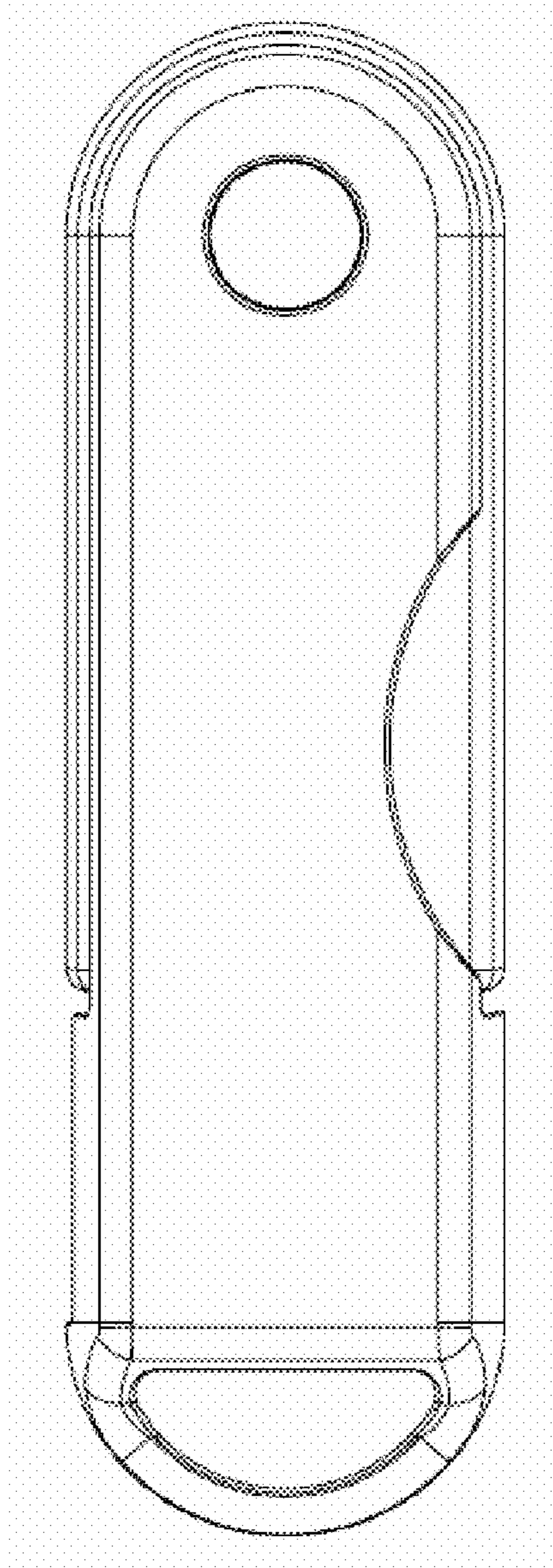
**FIG. 4**



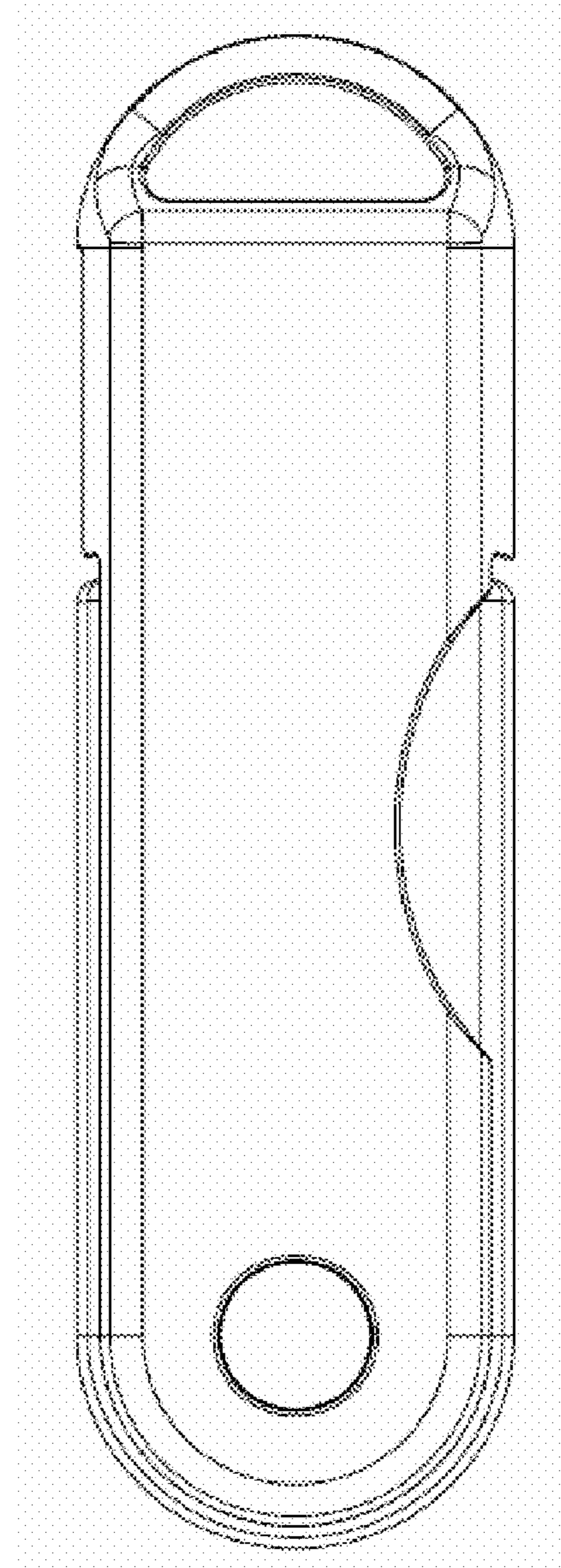
**FIG. 5**



**FIG. 6**



**FIG. 7**



**FIG. 8**