



US00D620012S

(12) **United States Design Patent**
Chen et al.

(10) **Patent No.:** **US D620,012 S**
(45) **Date of Patent:** **** Jul. 20, 2010**

(54) **SUPPORT STAND**

(75) Inventors: **Xue-Ming Chen**, Shenzhen (CN);
Jun-Wu Duan, Shenzhen (CN); **Fan Zhou**, Shenzhen (CN)

(73) Assignee: **Hon Hai Precision Industry Co., Ltd.**,
Tu-Cheng, Taipei Hsien (TW)

(**) Term: **14 Years**

(21) Appl. No.: **29/353,092**

(22) Filed: **Dec. 31, 2009**

(51) **LOC (9) Cl.** **08-07**

(52) **U.S. Cl.** **D14/451**

(58) **Field of Classification Search** D14/447,
D14/451, 452, 432, 439, 448, 457, 203.8,
D14/217, 224, 224.1, 238.1, 239, 251, 252,
D14/253, 371, 372, 373, 374, 375, 376, 377,
D14/378, 379, 381, 382, 434, 126; D6/310,
D6/311, 312, 313, 314, 406.3, 406.4, 406.5,
D6/406.6, 419, 420; D8/383, 373, 380; D12/415;
379/454, 455; 312/223.3; 248/917, 918,
248/919, 920, 921, 922, 923, 924, 447.2,
248/455, 460, 228.6, 276.1, 281.11; 361/679.02,
361/679.04, 679.06, 679.07, 679.09, 679.21,
361/679.26, 679.27, 679.3, 679.55, 679.56
See application file for complete search history.

(56) **References Cited**

U.S. PATENT DOCUMENTS

2,036,010 A * 3/1936 Atkins 379/455
D390,209 S * 2/1998 Dials et al. D14/451
D483,767 S * 12/2003 Green et al. D14/451
D486,832 S * 2/2004 Masuda et al. D14/451

6,918,562 B2 * 7/2005 Lee et al. 248/130
D508,055 S * 8/2005 Lo D14/451
D525,974 S * 8/2006 Yu et al. D14/375
D539,291 S * 3/2007 Li et al. D14/447
D549,232 S * 8/2007 Li et al. D14/447
7,413,159 B2 * 8/2008 Liang et al. 248/676
D588,141 S * 3/2009 Heggland et al. D14/451
7,607,625 B2 * 10/2009 Wang 248/309.1
D606,547 S * 12/2009 Kamata et al. D14/451

* cited by examiner

Primary Examiner—Jennifer Rivard

Assistant Examiner—Angela J Lee

(74) *Attorney, Agent, or Firm*—Clifford O. Chi

(57) **CLAIM**

The ornamental design for a support stand, as shown and described.

DESCRIPTION

FIG. 1 is a perspective view of a support stand showing my design.

FIG. 2 is a front elevational view thereof.

FIG. 3 is a rear elevational view thereof.

FIG. 4 is a left-side elevational view thereof.

FIG. 5 is a right-side elevational view thereof.

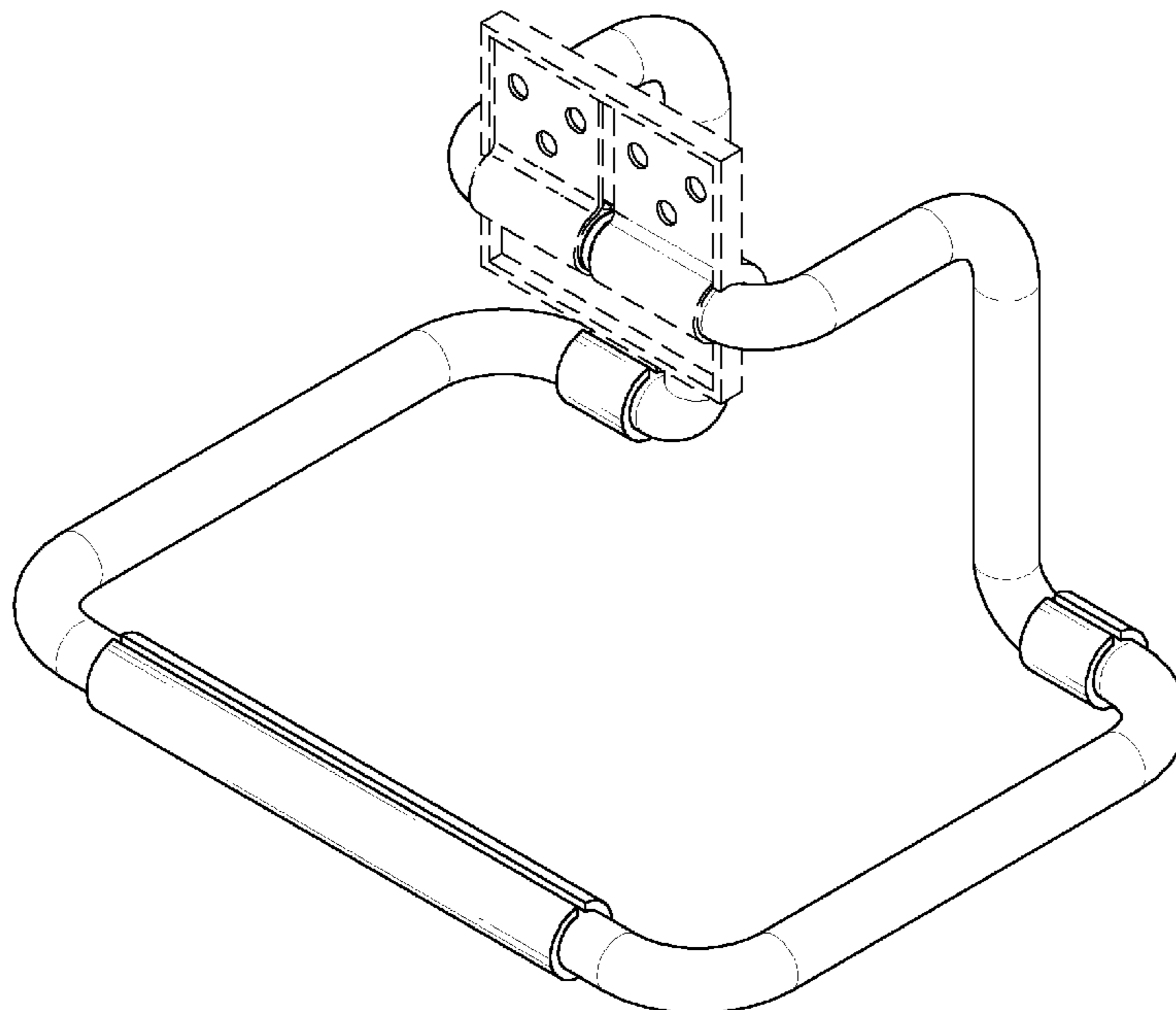
FIG. 6 is a top plan view thereof.

FIG. 7 is a bottom plan view thereof; and,

FIG. 8 is a perspective view of the support stand being applied to a display.

The broken lines in FIGS. 1 through 8 are included for the purposes of illustrating environment only and form no part of the claimed design.

1 Claim, 8 Drawing Sheets



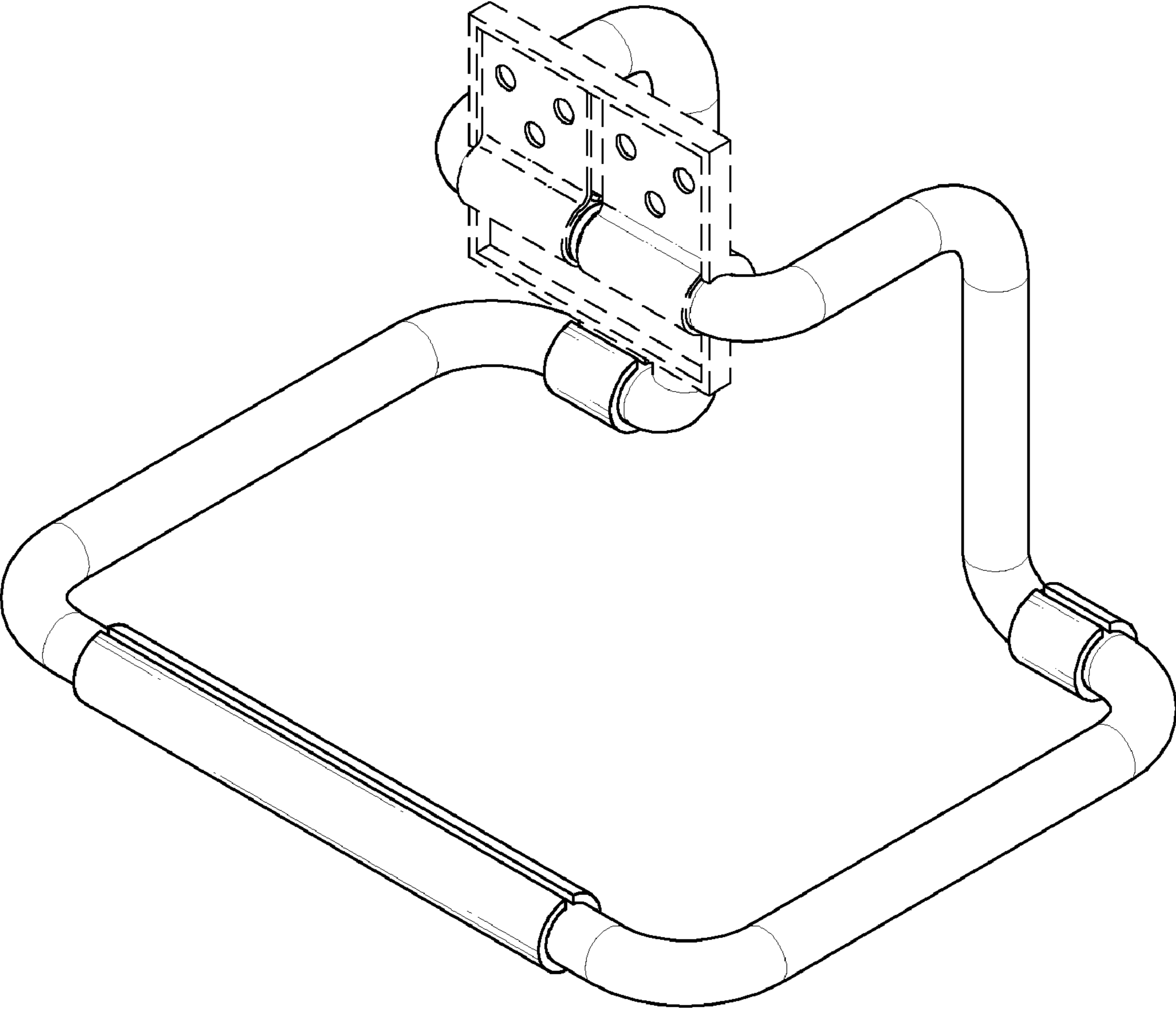


FIG. 1

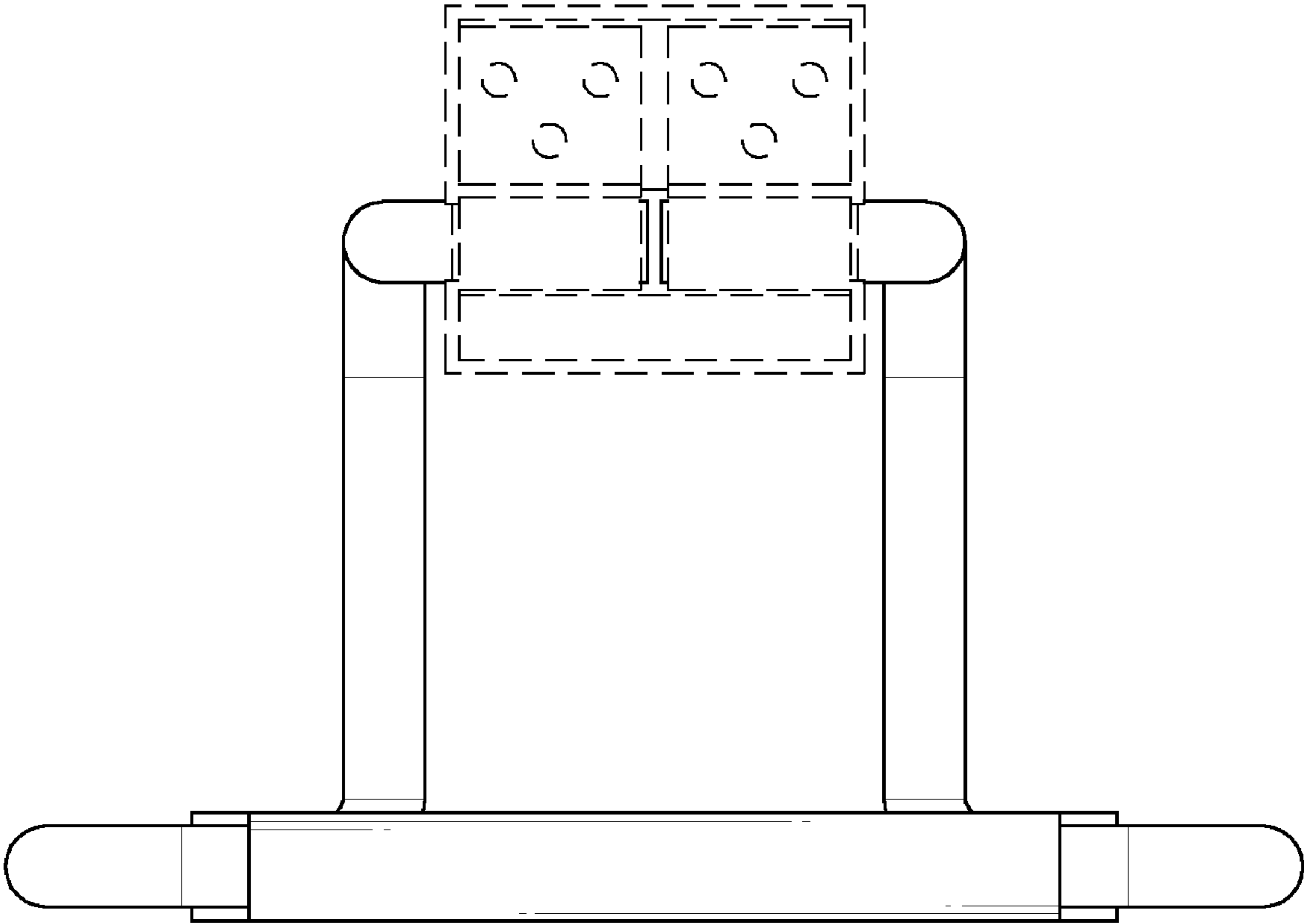


FIG. 2

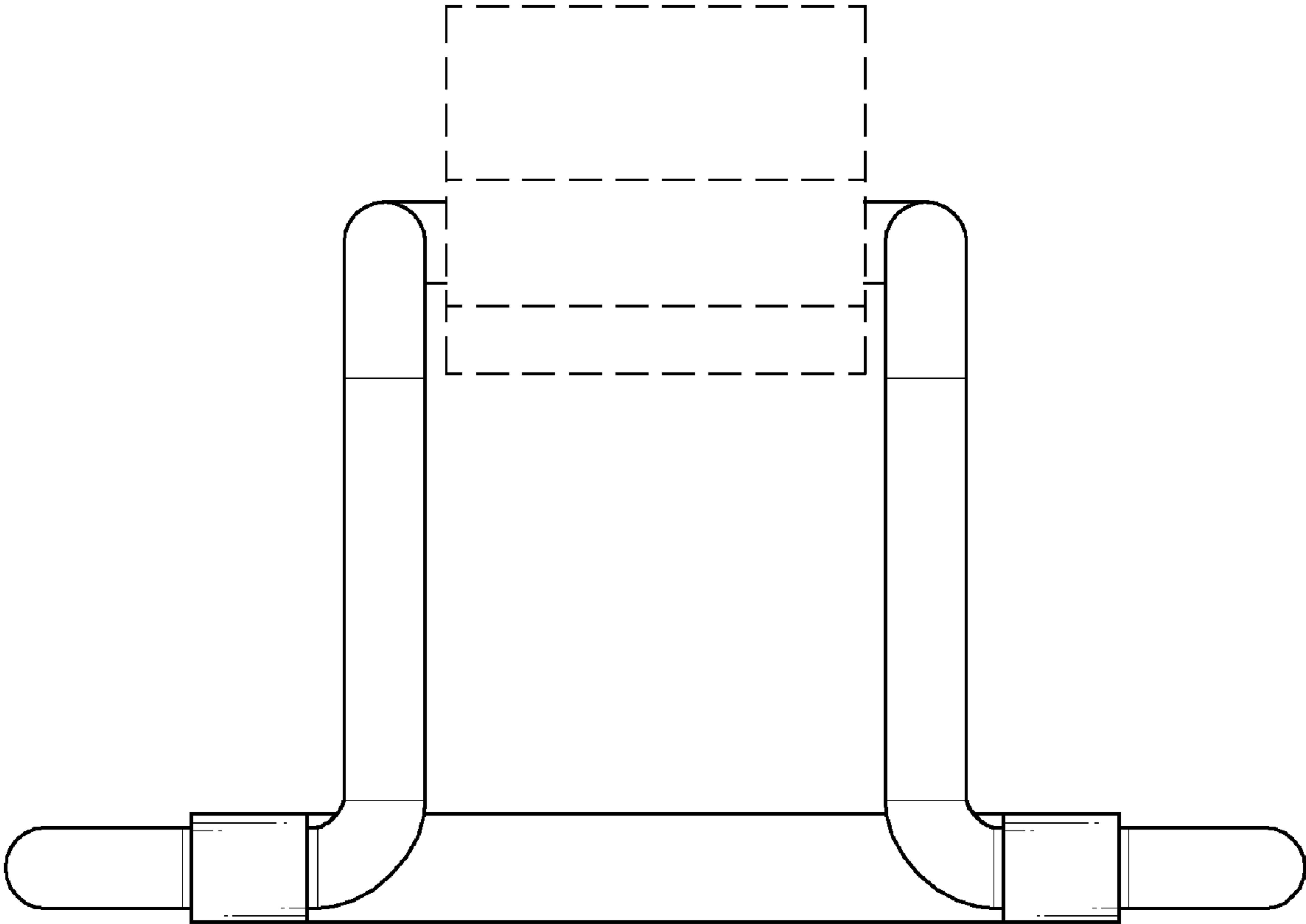


FIG. 3

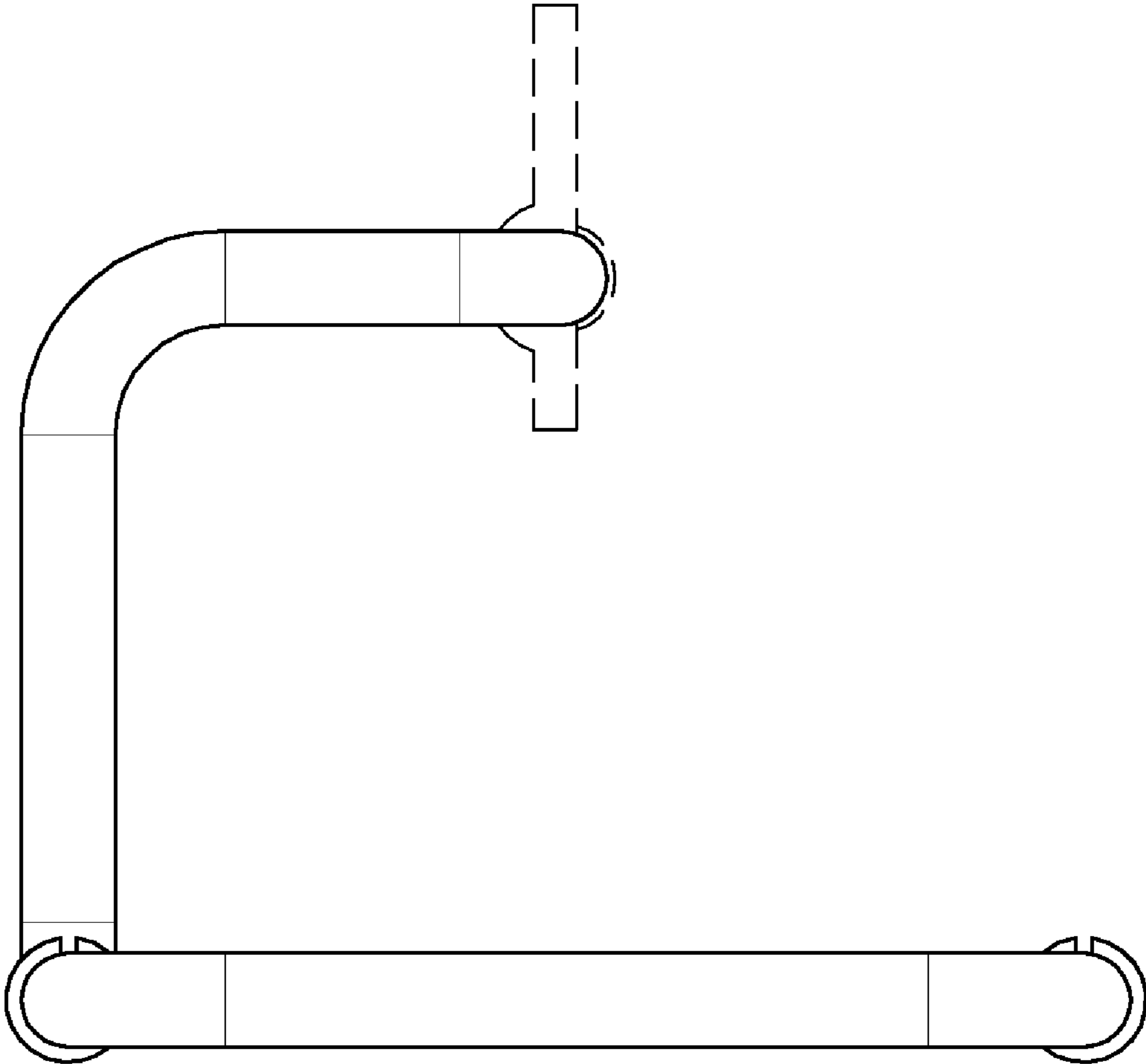


FIG. 4

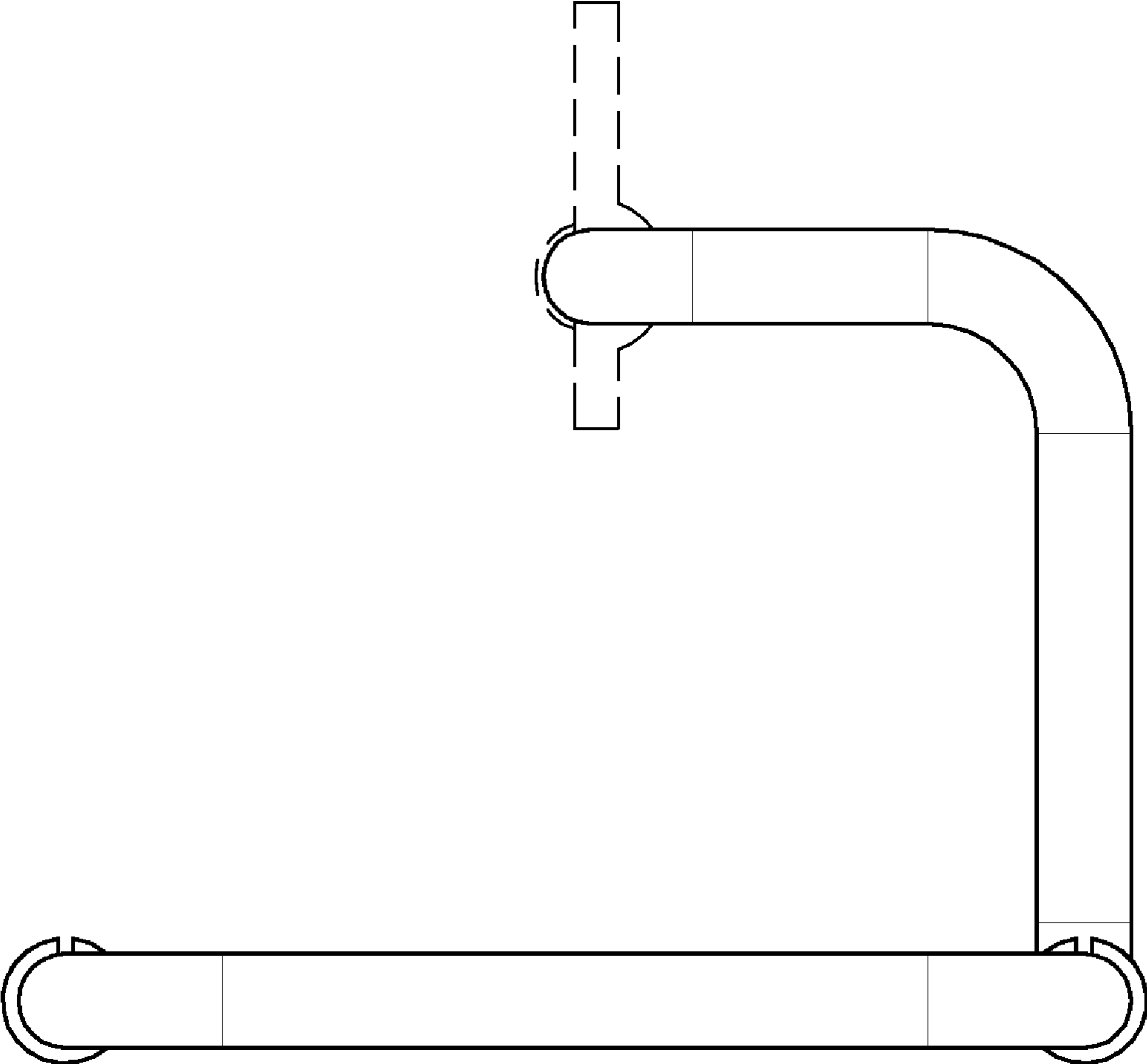


FIG. 5

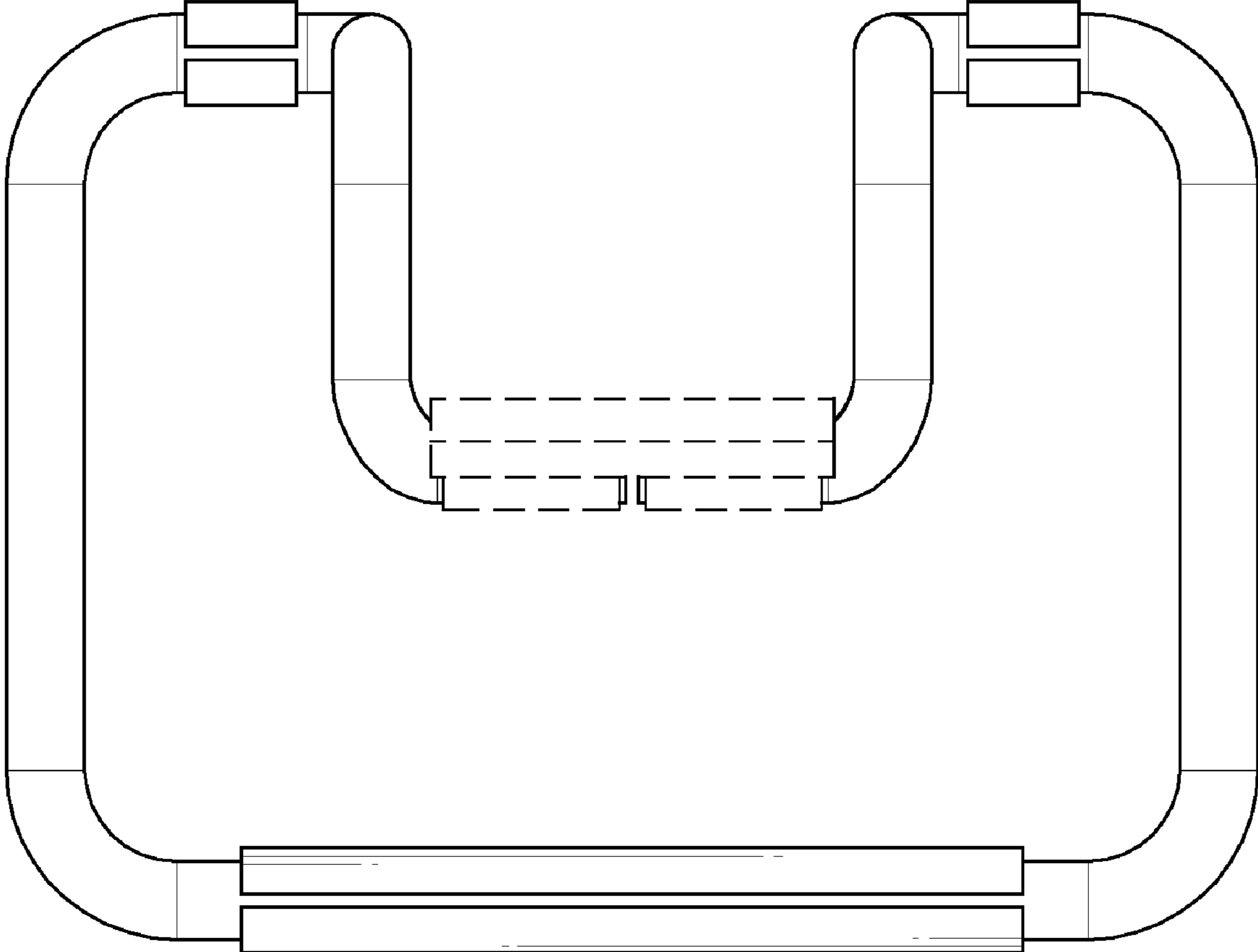


FIG. 6

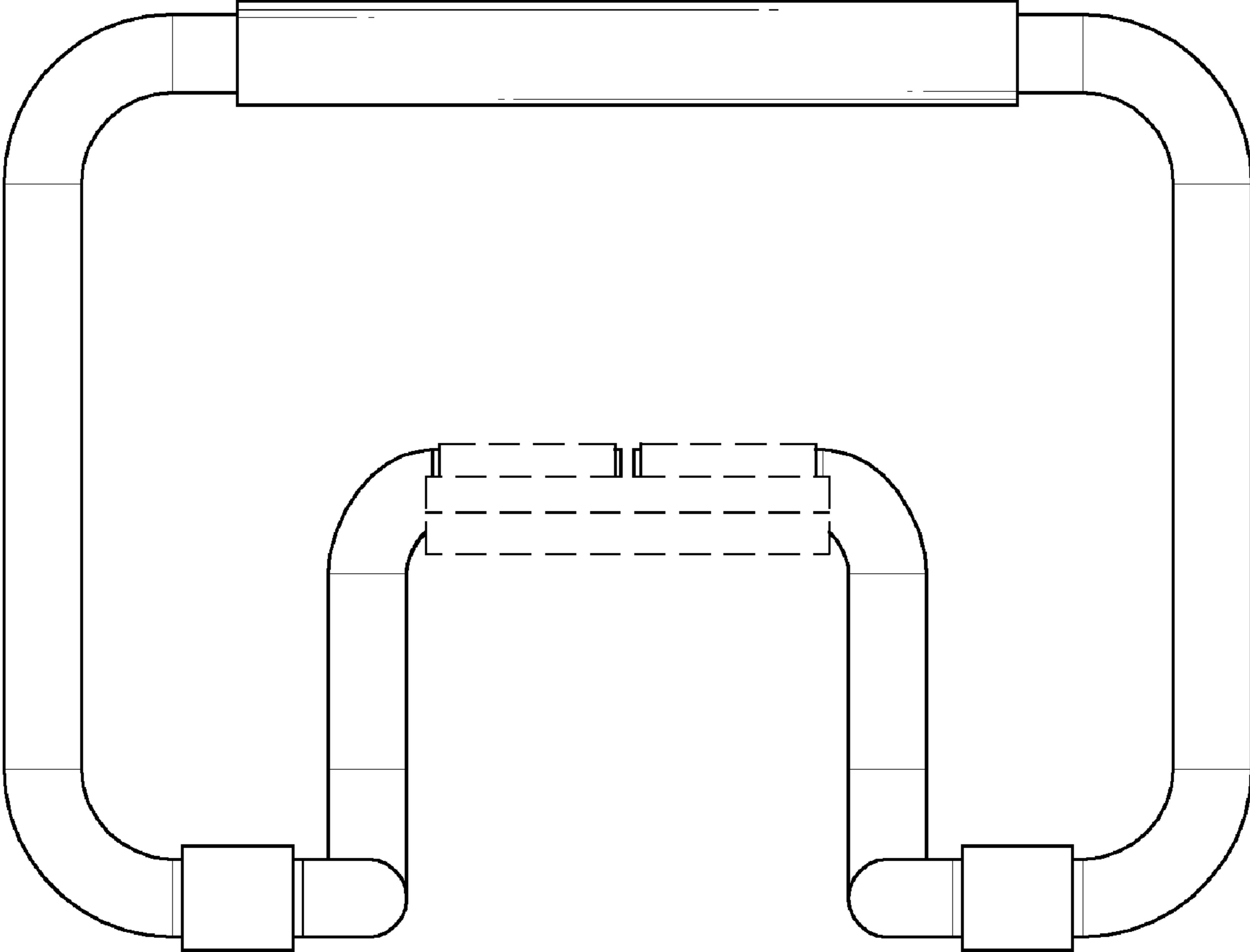


FIG. 7

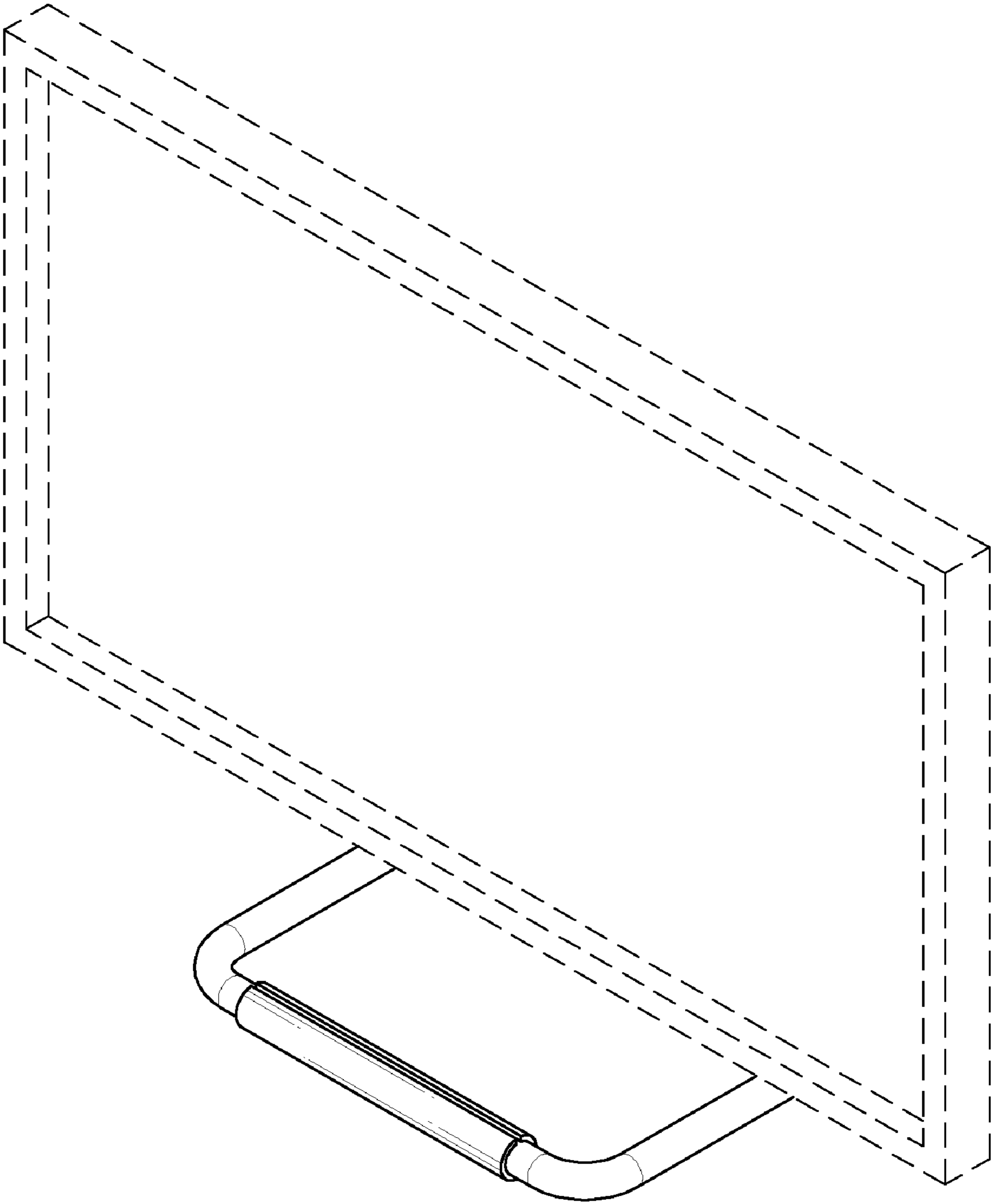


FIG. 8