

US00D620011S

(12) **United States Design Patent**
Wagenhoffer, Jr.

(10) **Patent No.:** **US D620,011 S**
(45) **Date of Patent:** **** Jul. 20, 2010**

(54) **OBJECT DISPLAY HOLDER**

D469,100 S 1/2003 Salem
D476,332 S * 6/2003 Lin D14/374

(76) Inventor: **John Wagenhoffer, Jr.**, 415 Fletcher Dr.,
Smyrna, DE (US) 19977

(Continued)

(**) Term: **14 Years**

FOREIGN PATENT DOCUMENTS

DE 202004008842 U1 11/2004

(21) Appl. No.: **29/340,900**

(Continued)

(22) Filed: **Jul. 28, 2009**

Primary Examiner—Jennifer Rivard

Assistant Examiner—Angela J Lee

(74) *Attorney, Agent, or Firm*—Connolly Bove Lodge & Hutz

LLP

(51) **LOC (9) Cl.** **14-02**

(52) **U.S. Cl.** **D14/450**

(58) **Field of Classification Search** D14/448,
D14/449, 450, 451, 452, 432, 439, 440, 305,
D14/306, 307, 336, 339, 340, 356, 371, 372,
D14/373, 374, 375, 376, 377, 378, 379, 380,
D14/381, 382, 125, 126, 127, 128, 129, 239;
D6/300, 308; D3/218, 271.2; D19/26, 27,
D19/32, 33; 348/794, 832; 361/679.21;
248/917, 918, 919, 920, 921, 922, 923, 924,
248/442.2; 345/32, 609, 738; 349/58; 206/320;
40/765, 771

(57) **CLAIM**

The ornamental design for an object display holder, as shown and described.

See application file for complete search history.

DESCRIPTION

FIG. 1 is a right front perspective view of an object display holder showing the invention, in which the object display holder is attached over a frame for a computer screen, wherein the frame for a computer screen and the computer screen are shown in phantom outline;

(56) **References Cited**

U.S. PATENT DOCUMENTS

- D358,582 S * 5/1995 Funaki D14/336
- 5,664,673 A 9/1997 Perry
- 5,678,792 A 10/1997 Arguin et al.
- D393,838 S * 4/1998 Pandolfi D14/374
- 5,759,644 A * 6/1998 Stanley 428/14
- 5,890,309 A 4/1999 Markarian
- 5,890,603 A 4/1999 Arguin et al.
- 5,988,582 A 11/1999 Olivo
- D453,162 S * 1/2002 Shim et al. D14/450
- 6,412,744 B1 7/2002 Wollam et al.
- 6,430,856 B1 8/2002 Schwartz
- D463,439 S * 9/2002 Olivo D14/448
- 6,443,415 B1 9/2002 Sundblad
- 6,478,282 B1 11/2002 Flemming

FIG. 2 is a right front perspective view of the object display holder of FIG. 1;

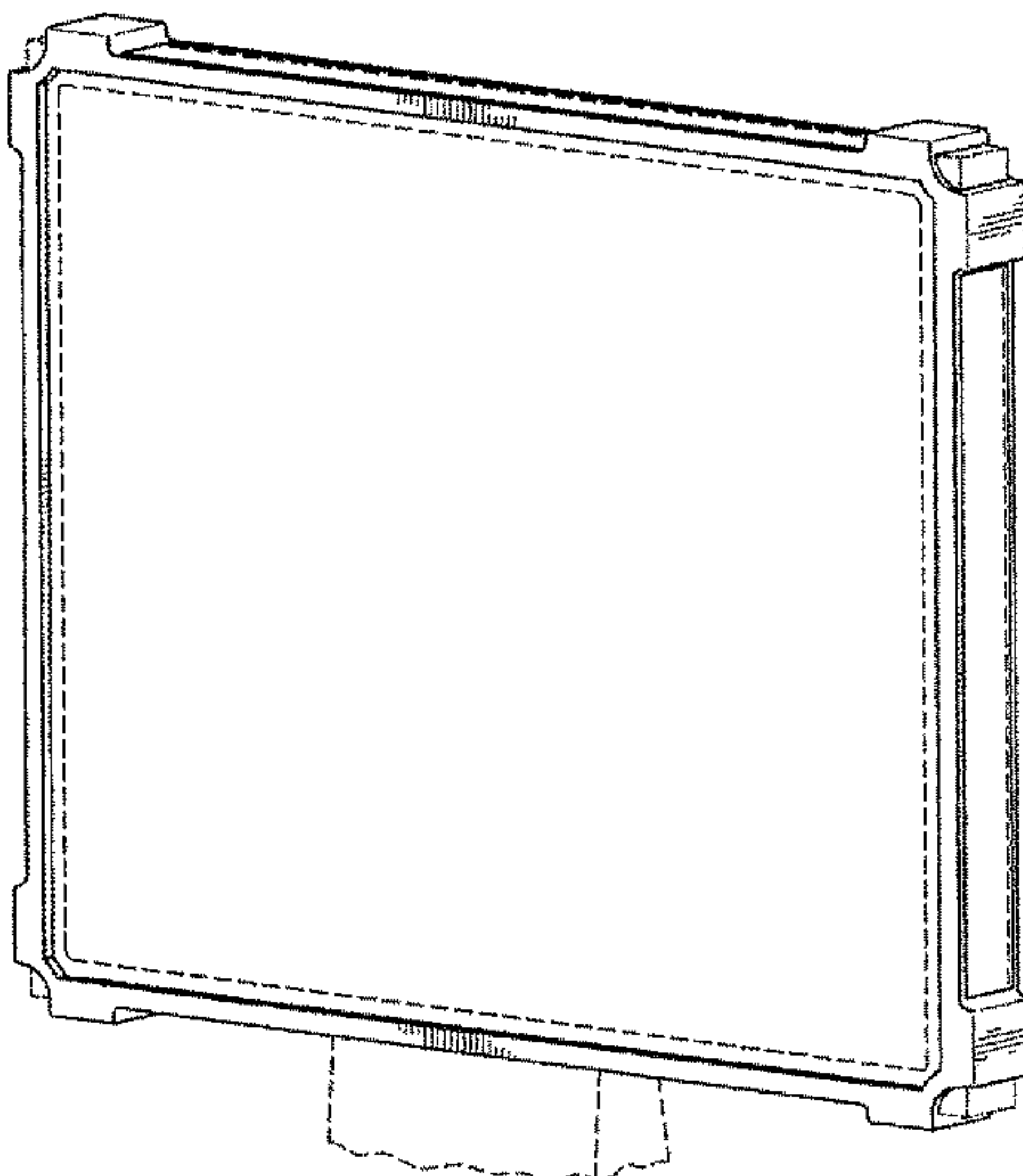
FIG. 3 is a left side elevational view of the object display holder of FIG. 1, wherein the right side elevational view is identical thereto; and

FIG. 4 is a front elevational view of the object display holder of FIG. 1, wherein the rear elevational view is identical thereto; and,

FIG. 5 is a bottom plan view of the object display holder of FIG. 1, wherein the top plan view is identical thereto.

The broken line showing of a frame for a computer screen and computer screen is included for the purpose of illustrating environment and forms no part of the claimed design.

1 Claim, 2 Drawing Sheets



US D620,011 S

Page 2

U.S. PATENT DOCUMENTS

6,817,128 B2 * 11/2004 Korpai 40/725
D508,054 S * 8/2005 Ramsey D14/448
D511,780 S * 11/2005 Korpai D14/450
D533,181 S * 12/2006 Florindo D14/450
D557,897 S * 12/2007 Richardson et al. D3/294
D565,839 S * 4/2008 Allen D3/218

D593,319 S * 6/2009 Richardson et al. D3/218
2004/0227048 A1 11/2004 Lom et al.

FOREIGN PATENT DOCUMENTS

EP 1254615 11/2002
GB 2367940 4/2002

* cited by examiner

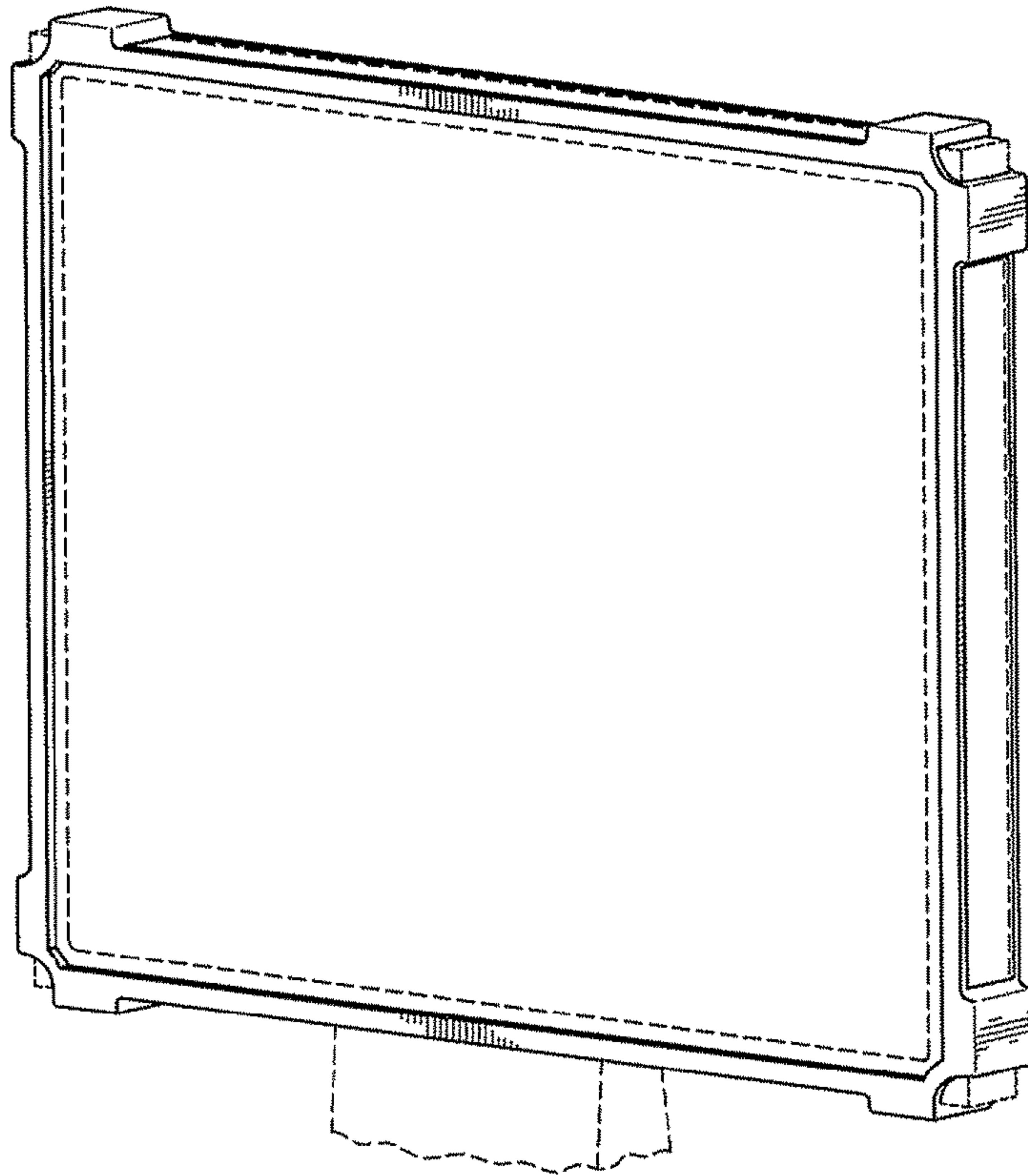


FIG. 1

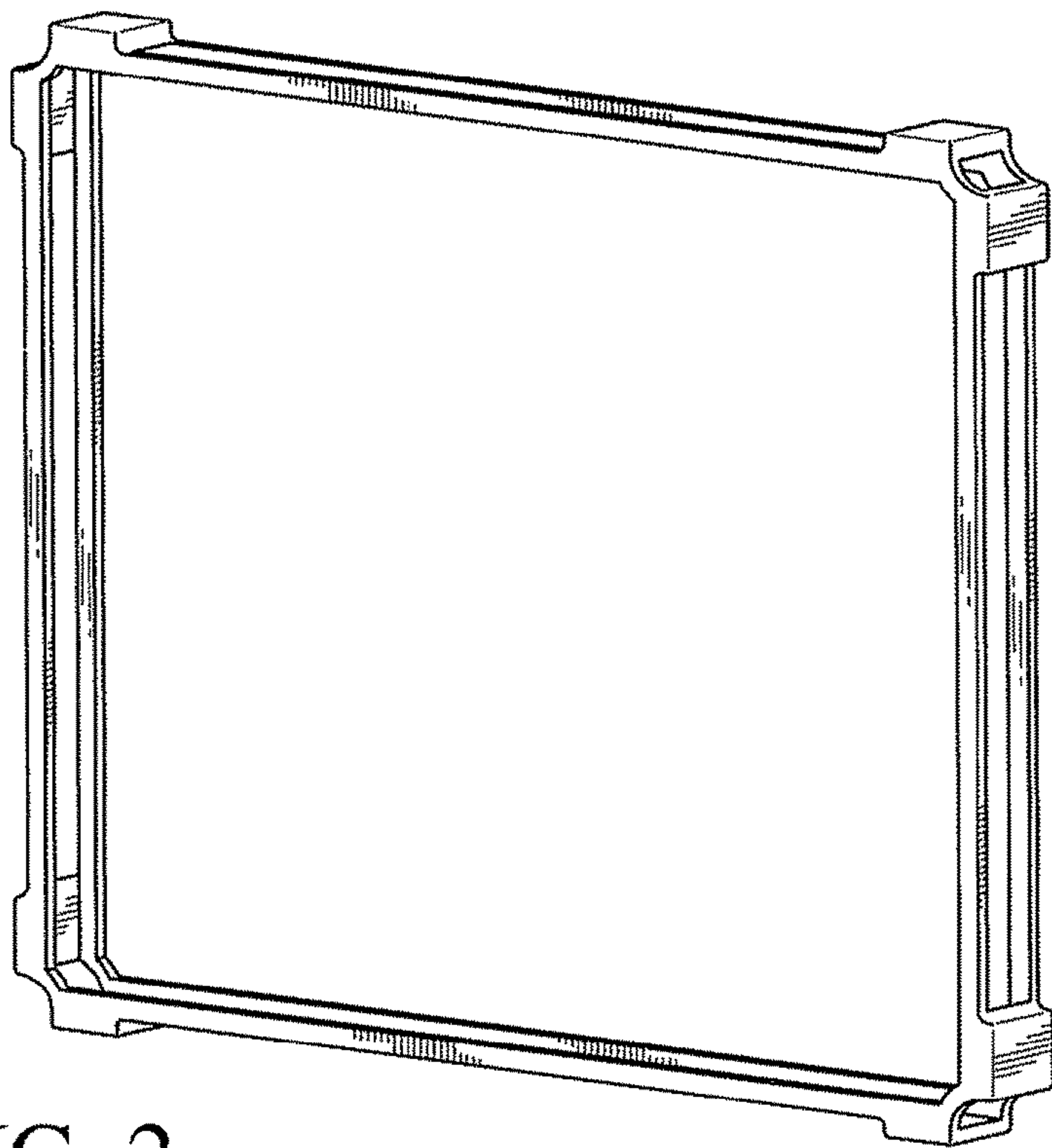


FIG. 2

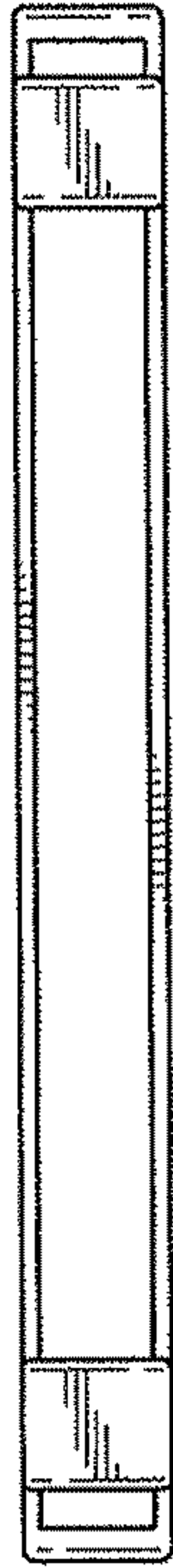


FIG. 3

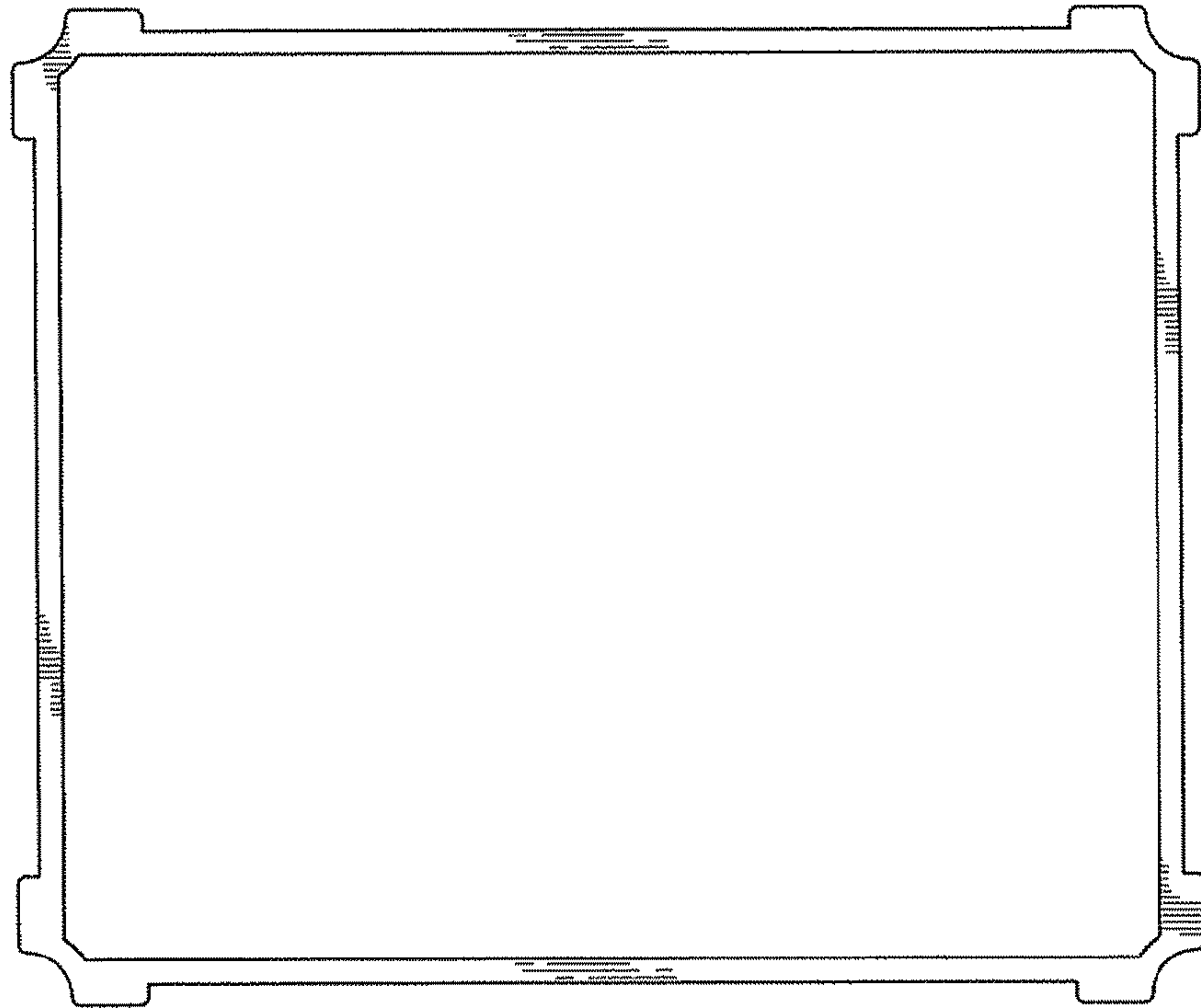


FIG. 4



FIG. 5