



US00D620001S

(12) **United States Design Patent**
Reed et al.

(10) **Patent No.:** **US D620,001 S**
(45) **Date of Patent:** **** Jul. 20, 2010**

(54) **PORTABLE INFORMATION HANDLING SYSTEM**

(75) Inventors: **Jeff Reed**, Austin, TX (US); **Glen Clifton**, Marfa, TX (US)

(73) Assignee: **Dell Products L.P.**, Round Rock, TX (US)

(**) Term: **14 Years**

(21) Appl. No.: **29/327,101**

(22) Filed: **Oct. 30, 2008**

(51) **LOC (9) Cl.** **14-02**

(52) **U.S. Cl.** **D14/315**

(58) **Field of Classification Search** D14/315-328, D14/345; D18/1, 2, 7, 11; 235/145 A, 145 R; 341/22, 23; 345/104, 156, 168, 169, 173, 345/87, 901-905; 361/679.01, 679.15, 679.17, 361/679.27; 400/486, 489

See application file for complete search history.

(56) **References Cited**

U.S. PATENT DOCUMENTS

5,579,032	A *	11/1996	Busch	345/157
6,067,224	A *	5/2000	Nobuchi	361/679.27
D431,821	S *	10/2000	Mizuno	D14/318
6,166,737	A *	12/2000	Lee et al.	715/783
6,351,372	B1 *	2/2002	Kim	361/679.15
D504,683	S *	5/2005	Kim et al.	D14/315
D556,192	S *	11/2007	Jeong et al.	D14/327
D577,012	S *	9/2008	Gralewski et al.	D14/315
D577,013	S *	9/2008	Harris et al.	D14/317

D578,125	S *	10/2008	Iseki	D14/432
D598,442	S *	8/2009	Wang	D14/327
2005/0018396	A1 *	1/2005	Nakajima et al.	361/683
2005/0270277	A1 *	12/2005	Park	345/173

* cited by examiner

Primary Examiner—Freda S Nunn

(74) *Attorney, Agent, or Firm*—Hamilton & Terrile, LLP; Robert W. Holland

(57) **CLAIM**

The ornamental design for a portable information handling system, as shown and described.

DESCRIPTION

FIG. 1 is a perspective view of the portable information handling system, in a closed position, comprising the present invention;

FIG. 2 is a front side view thereof;

FIG. 3 is a right side view thereof;

FIG. 4 is a left side view thereof;

FIG. 5 is a rear view thereof;

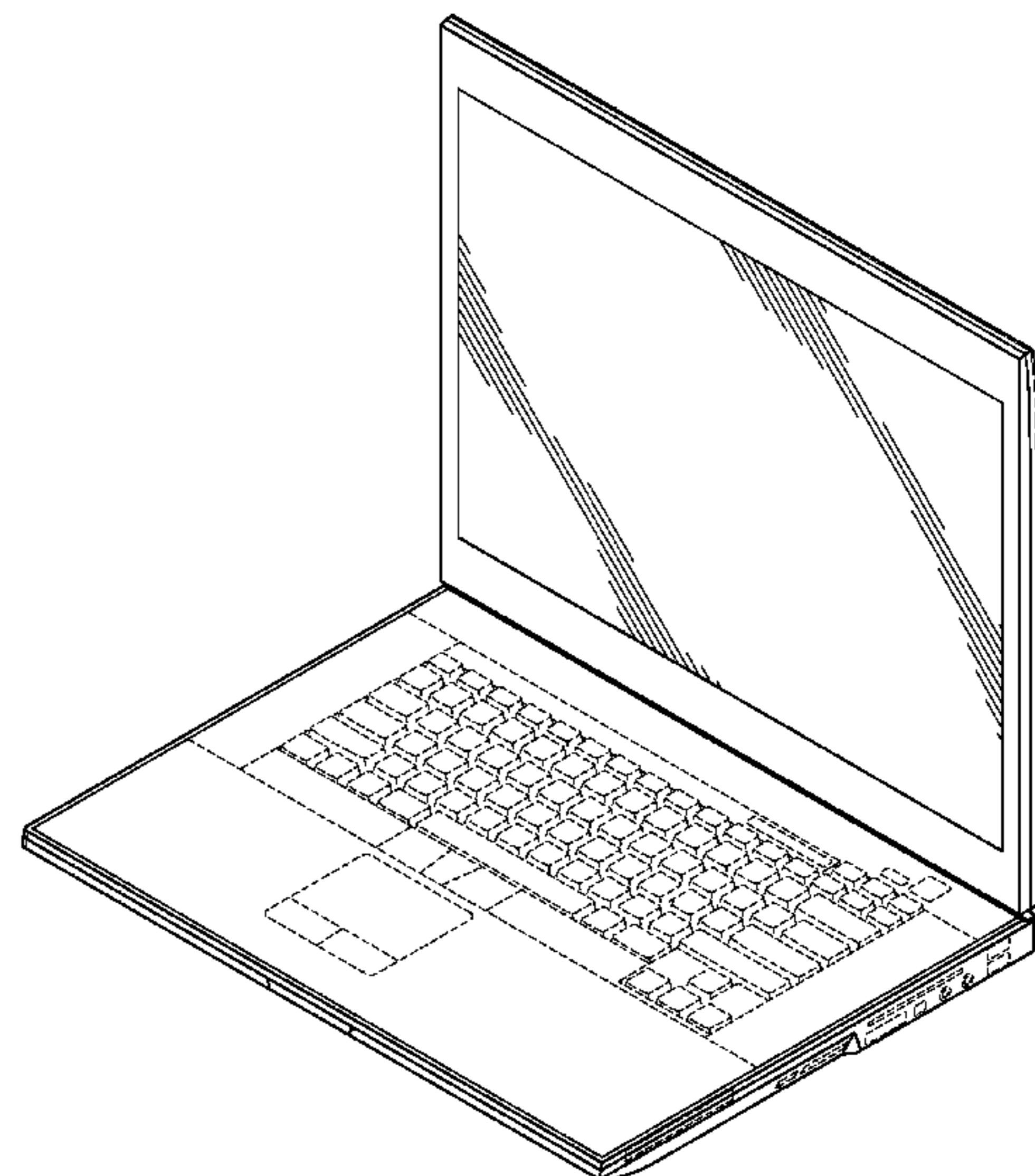
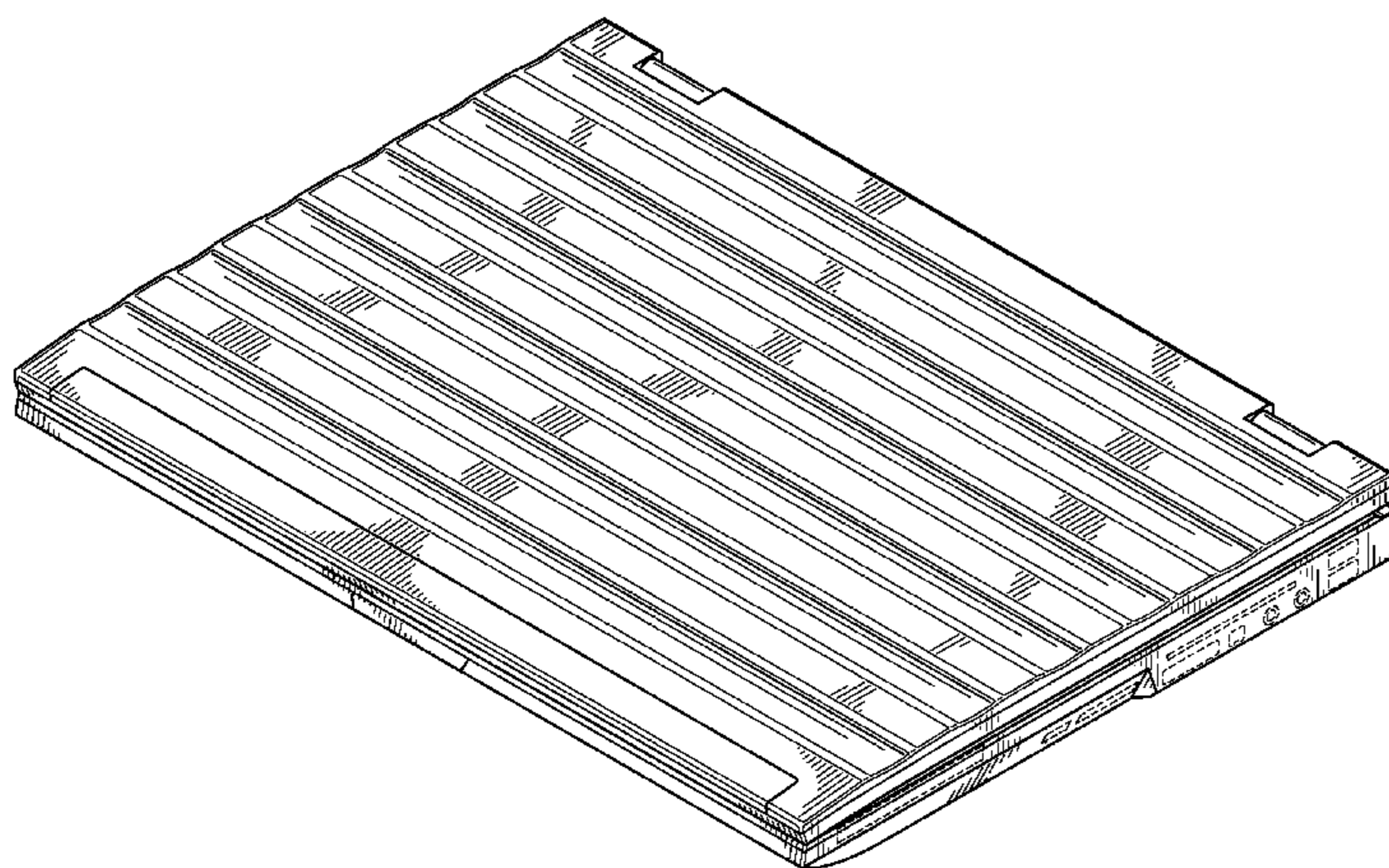
FIG. 6 is a top view thereof;

FIG. 7 is a bottom view thereof; and,

FIG. 8 is a perspective view of the portable information handling system, in an open position.

Broken lines shown in the drawings illustrate portions of the portable information handling system, and form no part of the claimed design.

1 Claim, 5 Drawing Sheets



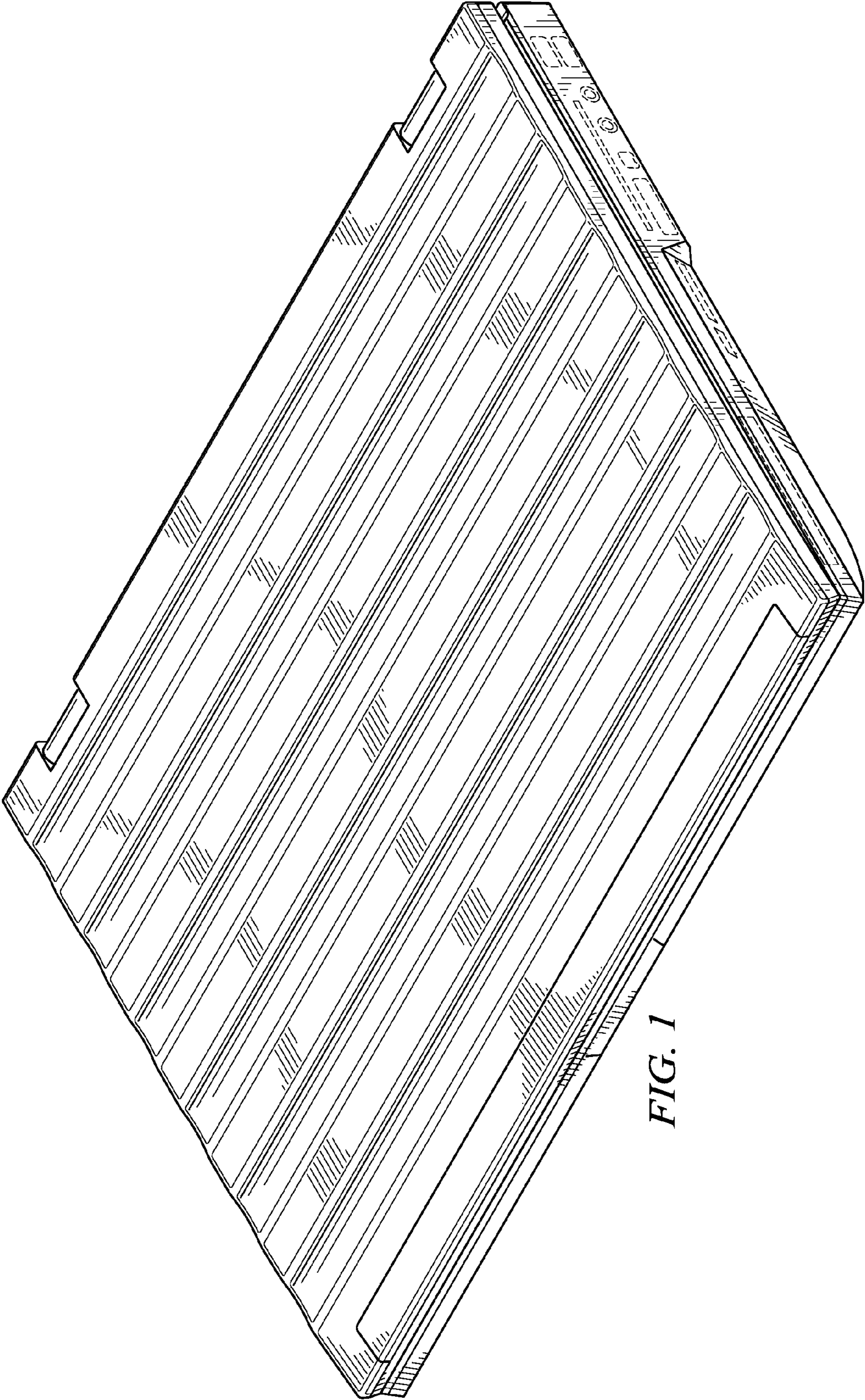


FIG. 1

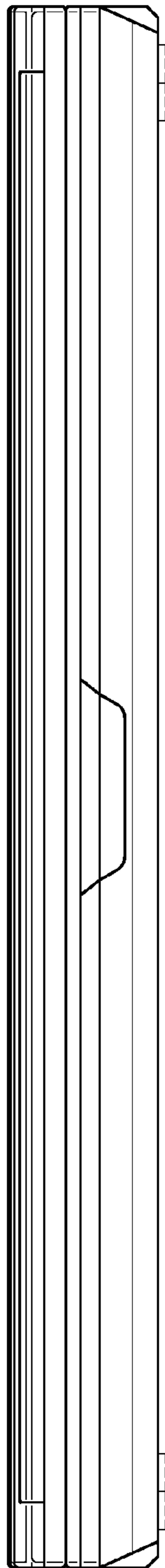


FIG. 2

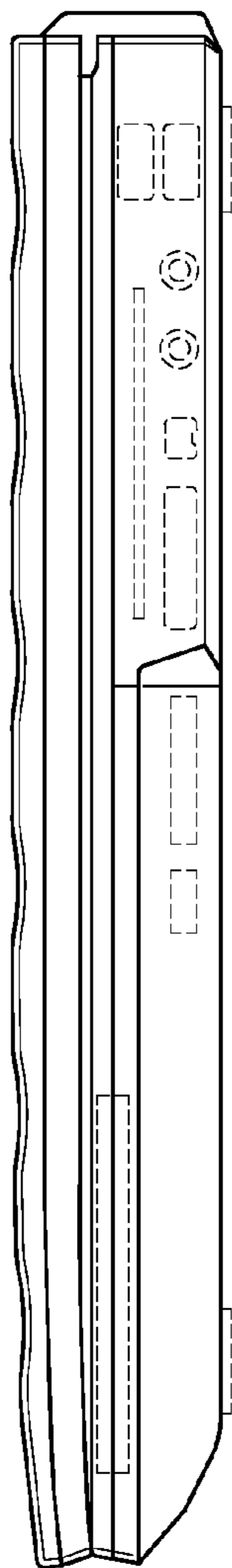


FIG. 3

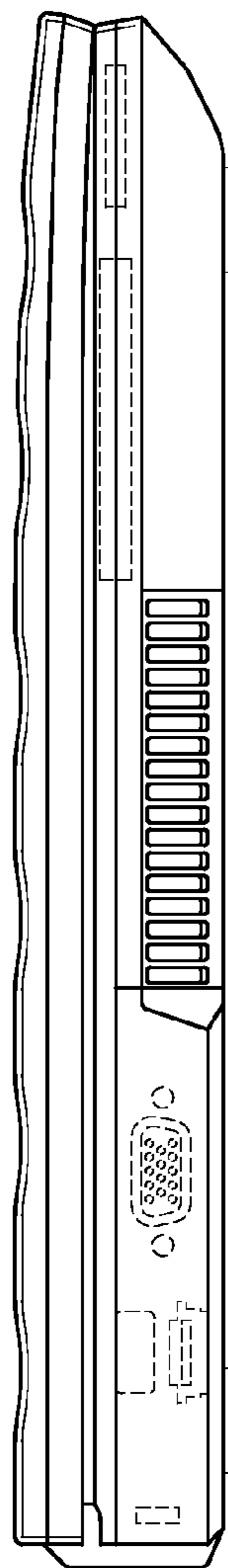


FIG. 4

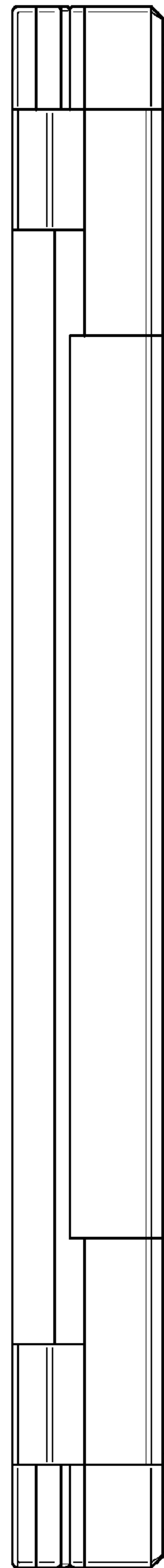


FIG. 5

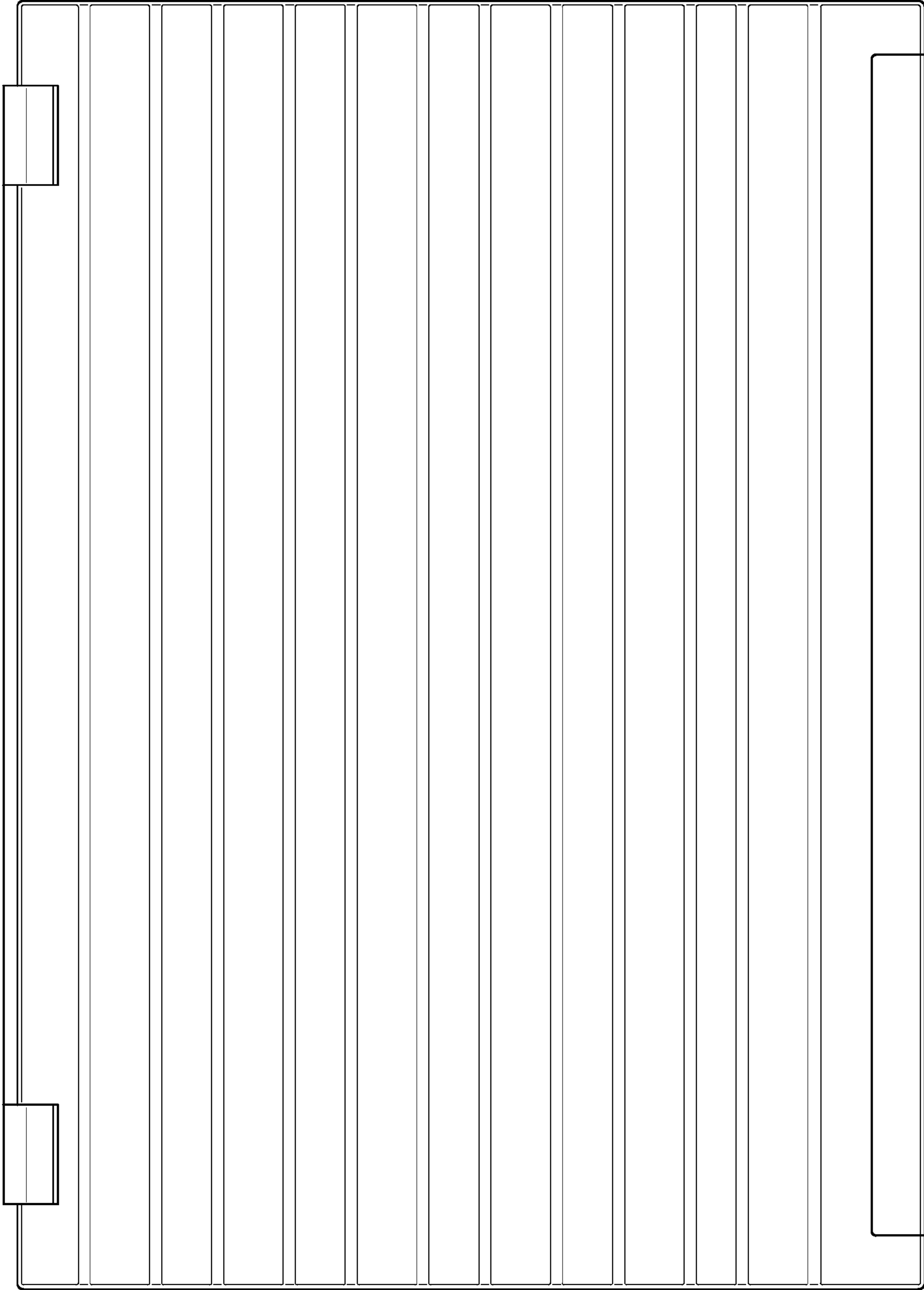


FIG. 6

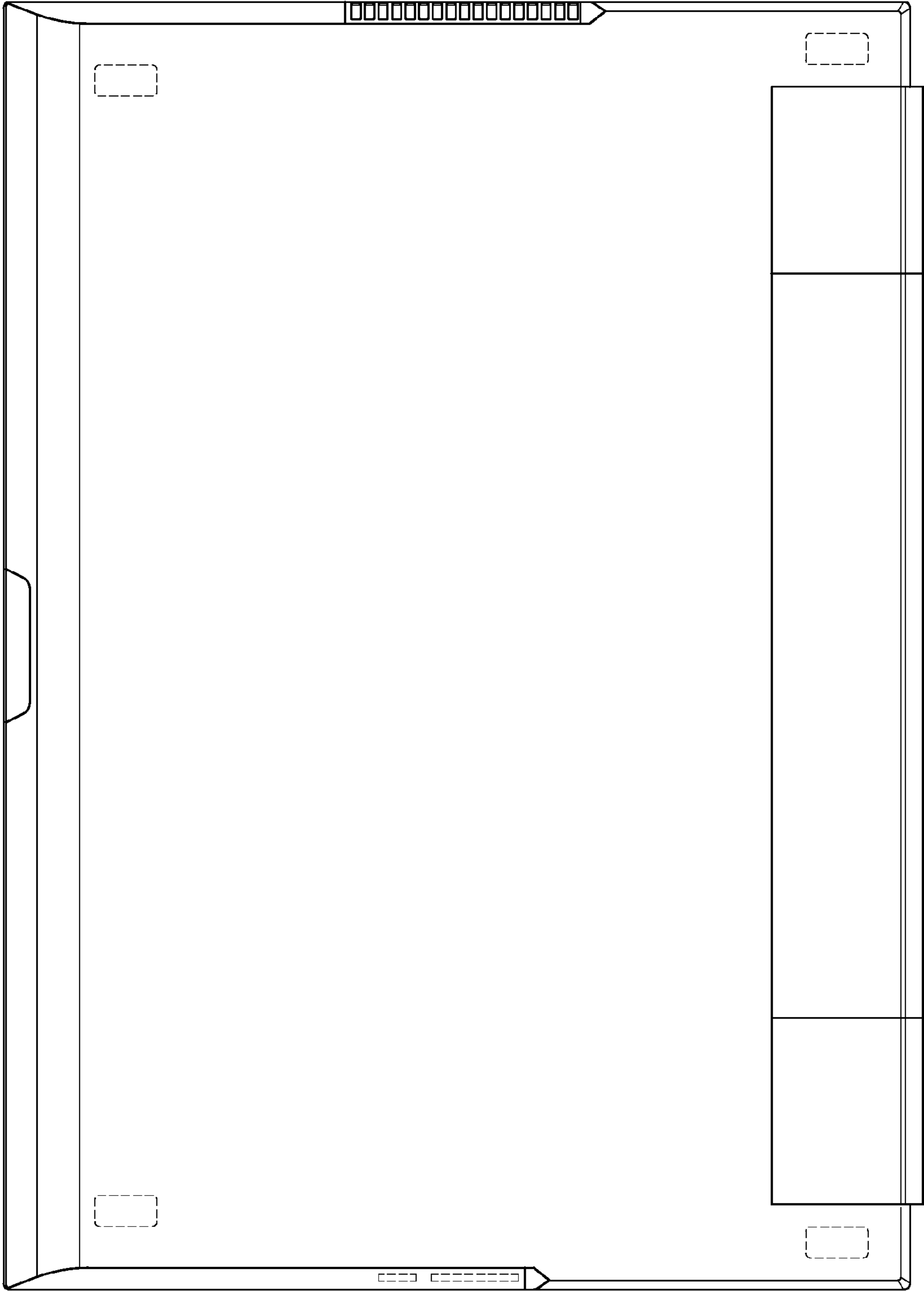


FIG. 7

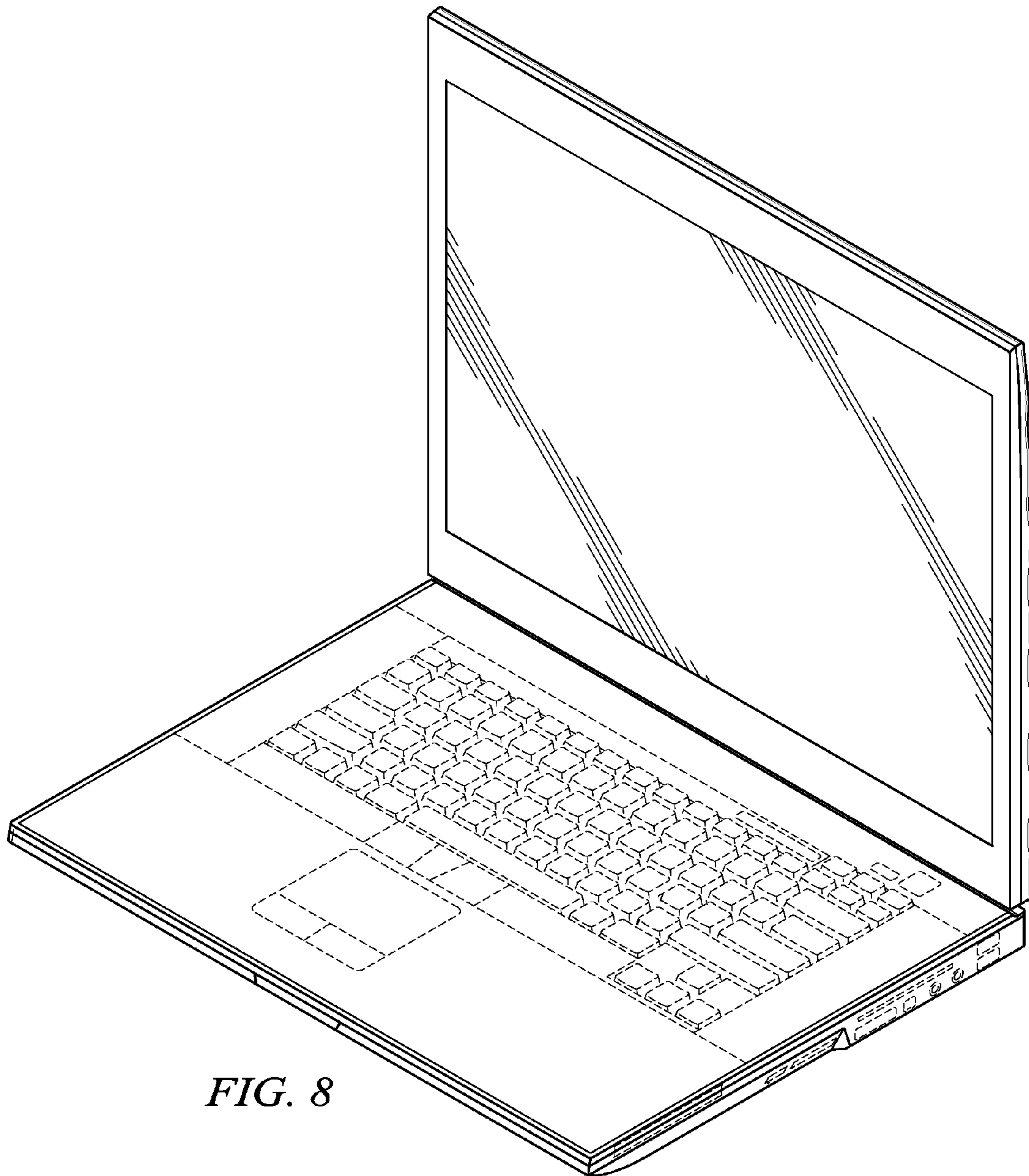


FIG. 8