



US00D619998S

(12) **United States Design Patent**
Birger

(10) **Patent No.:** **US D619,998 S**
(45) **Date of Patent:** **** Jul. 20, 2010**

(54) **HEADSET**

(75) Inventor: **Johan Birger**, Malmö (SE)

(73) Assignee: **GN Netcom A/S** (DK)

(**) Term: **14 Years**

(21) Appl. No.: **29/340,878**

(22) Filed: **Jul. 27, 2009**

(30) **Foreign Application Priority Data**

Jan. 26, 2009 (EM) 001075642-0001

(51) **LOC (9) Cl.** **14-01**

(52) **U.S. Cl.** **D14/223**

(58) **Field of Classification Search** D14/205,
D14/206, 223, 167; 181/129, 130; 381/370,
381/375, 380, 381; 379/430, 433.01, 433.13;
455/90.3, 569.1, 575.5, 575.2

See application file for complete search history.

(56) **References Cited**

U.S. PATENT DOCUMENTS

D517,054 S * 3/2006 Yang D14/223
D529,021 S * 9/2006 Jensen et al. D14/223
D562,310 S * 2/2008 Moon et al. D14/223
D566,105 S * 4/2008 Yang et al. D14/223
D569,842 S * 5/2008 Yang D14/205
D574,366 S * 8/2008 Sade et al. D14/223

D575,277 S * 8/2008 Gaarde et al. D14/223
D586,791 S * 2/2009 Birger et al. D14/223
D590,813 S * 4/2009 Bradford et al. D14/223
D592,190 S * 5/2009 Birger D14/223
D595,698 S * 7/2009 Guccione et al. D14/223
D598,900 S * 8/2009 Wikel et al. D14/223
D600,682 S * 9/2009 Wai D14/223
D604,722 S * 11/2009 Mistry D14/223
D606,521 S * 12/2009 Birger D14/223
D609,695 S * 2/2010 Cigliano et al. D14/205

* cited by examiner

Primary Examiner—Paula Greene

(74) *Attorney, Agent, or Firm*—Altera Law Group, LLC

(57) **CLAIM**

The ornamental design for a headset, as shown and described.

DESCRIPTION

FIG. 1 is a perspective view of a headset.

FIG. 2 is a side view thereof.

FIG. 3 is a top view thereof.

FIG. 4 is a front view thereof.

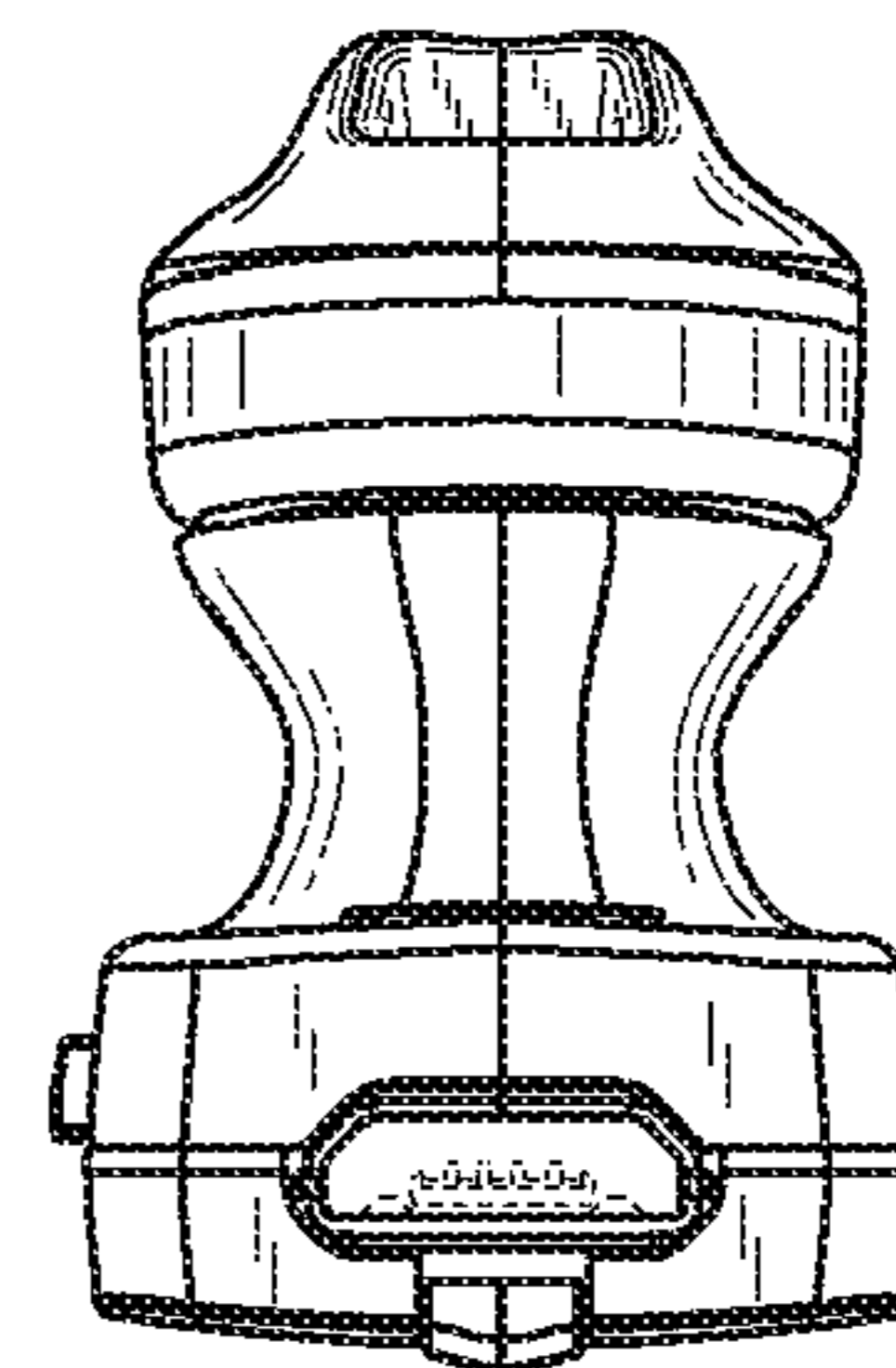
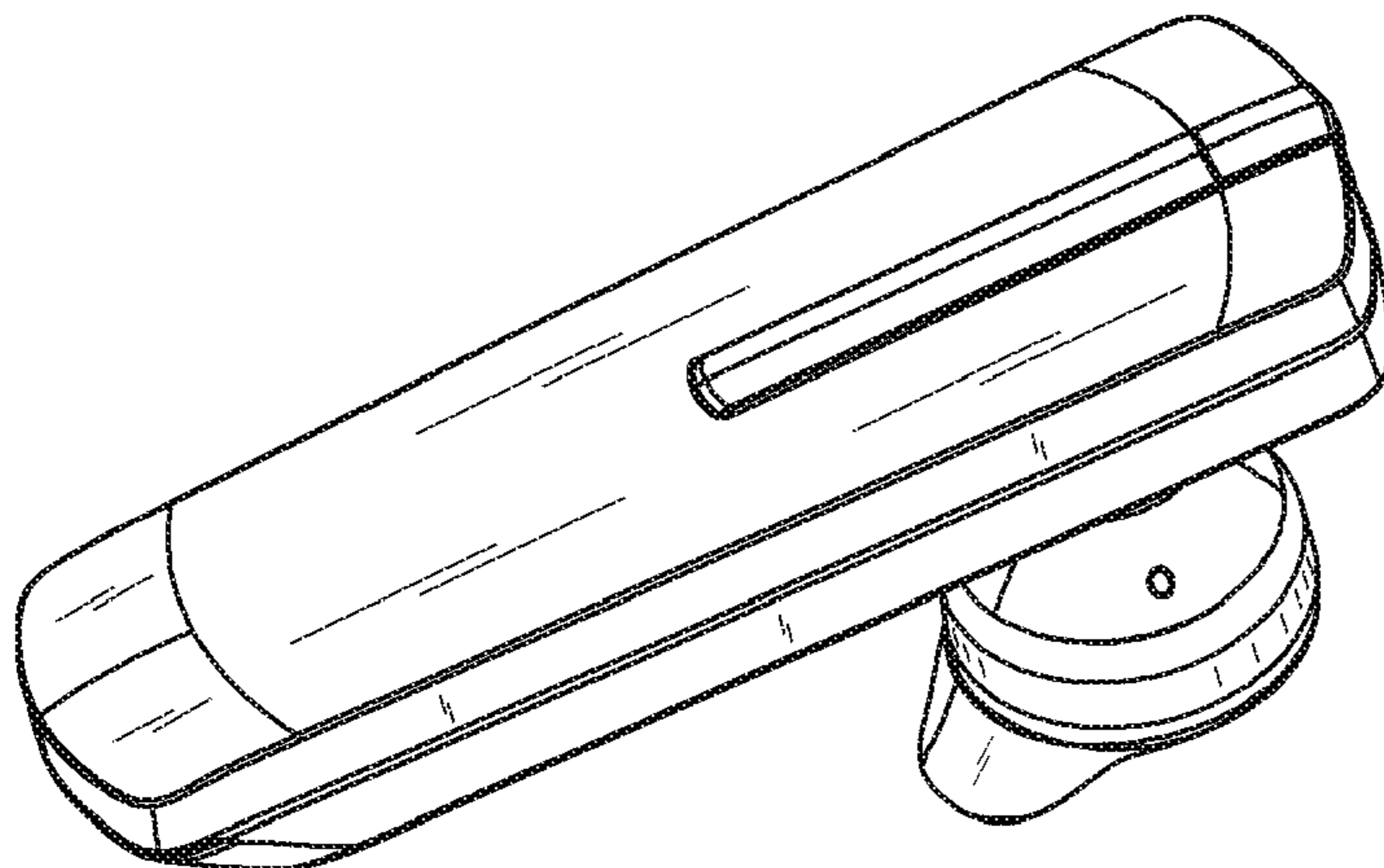
FIG. 5 is a back view thereof.

FIG. 6 is the other side view thereof; and,

FIG. 7 is the bottom view thereof.

The broken lines form no part of the claimed design.

1 Claim, 3 Drawing Sheets



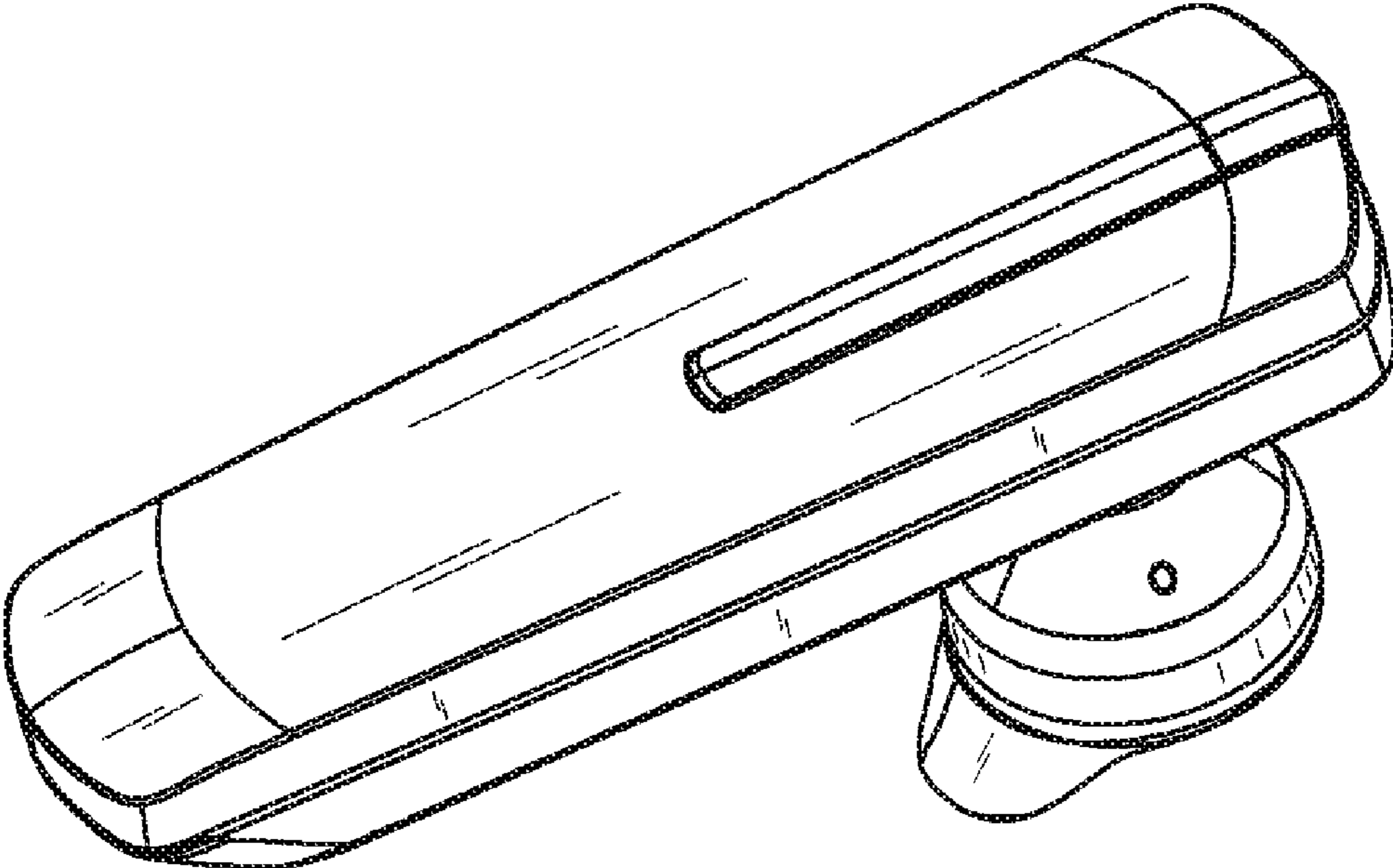


Fig. 1

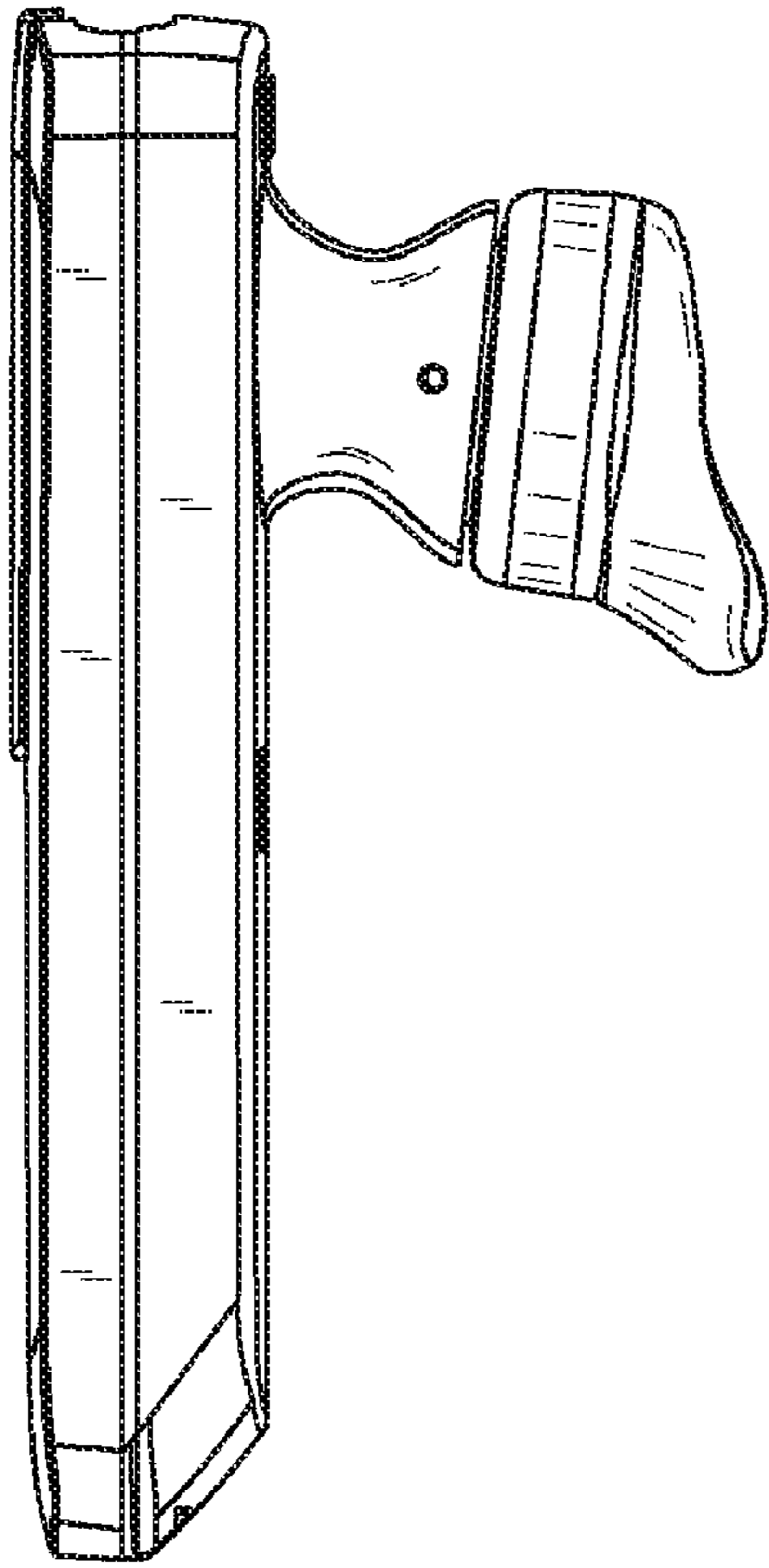


Fig. 2

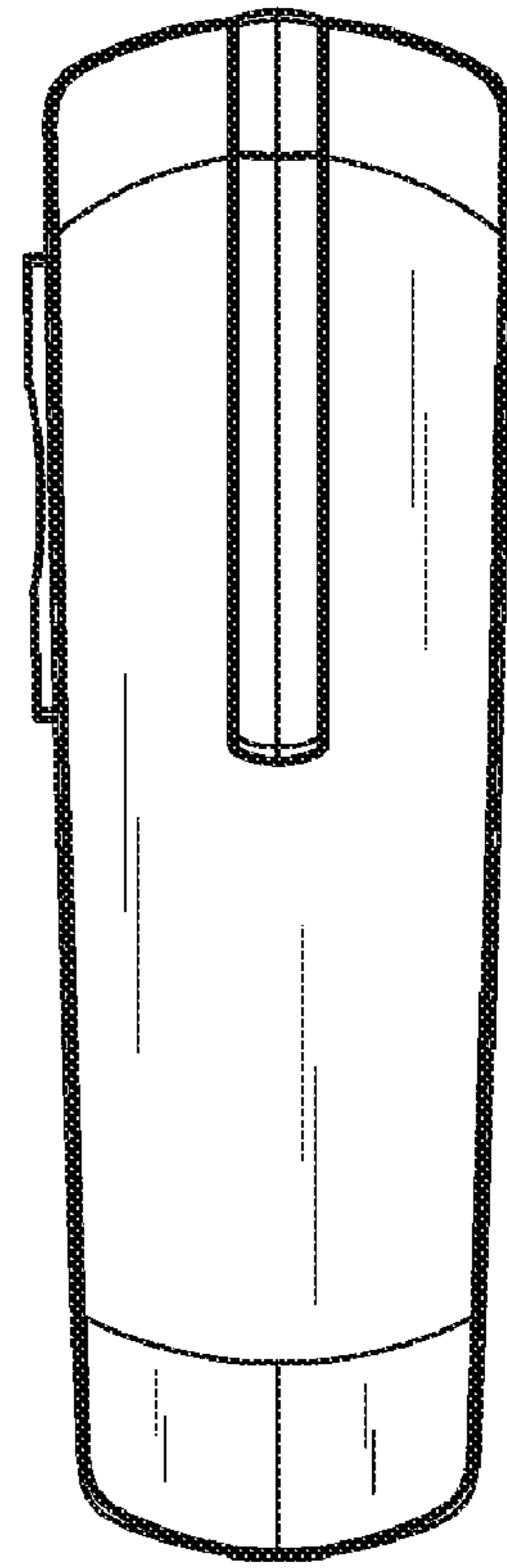


Fig. 3

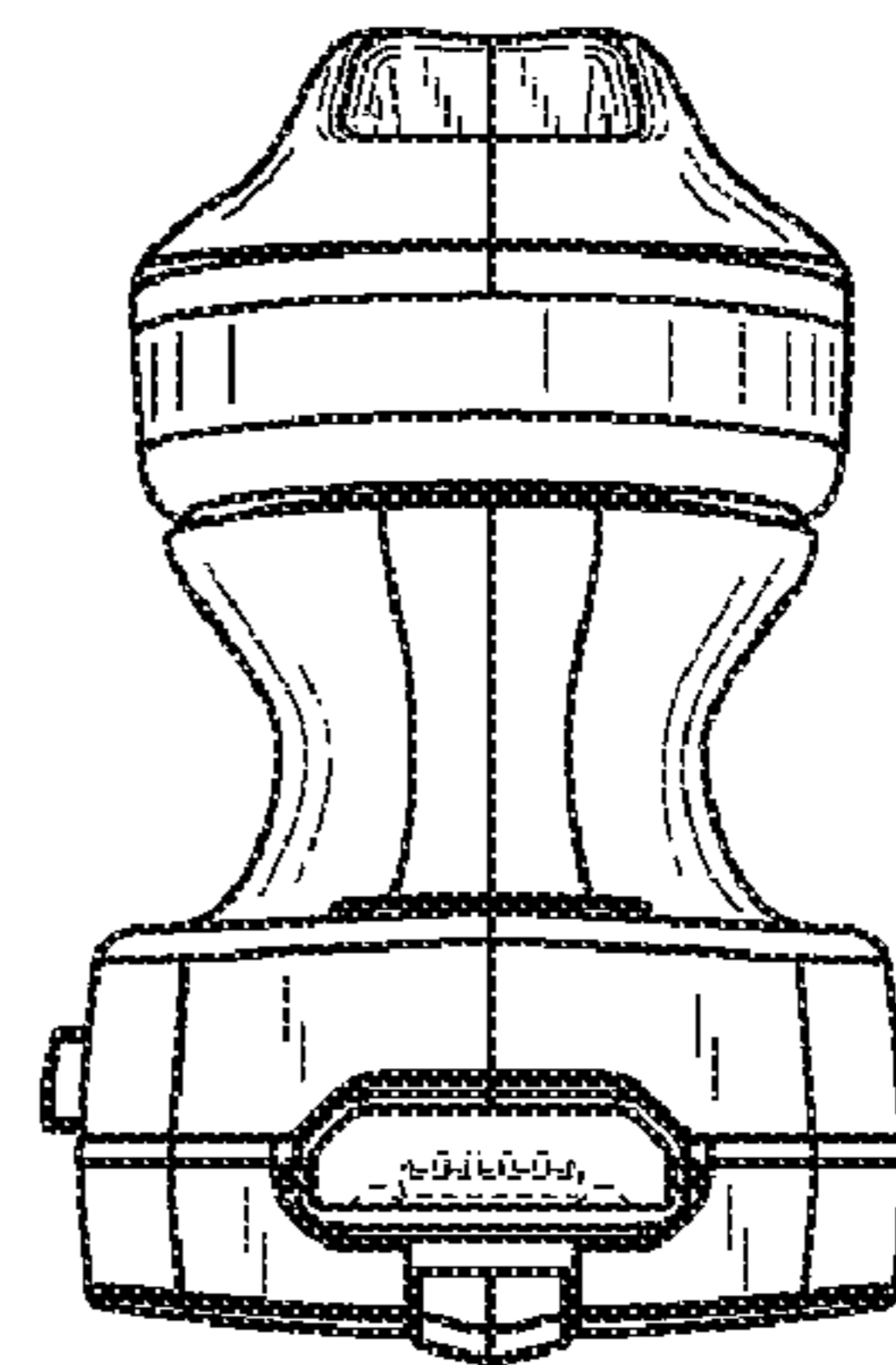


Fig. 4

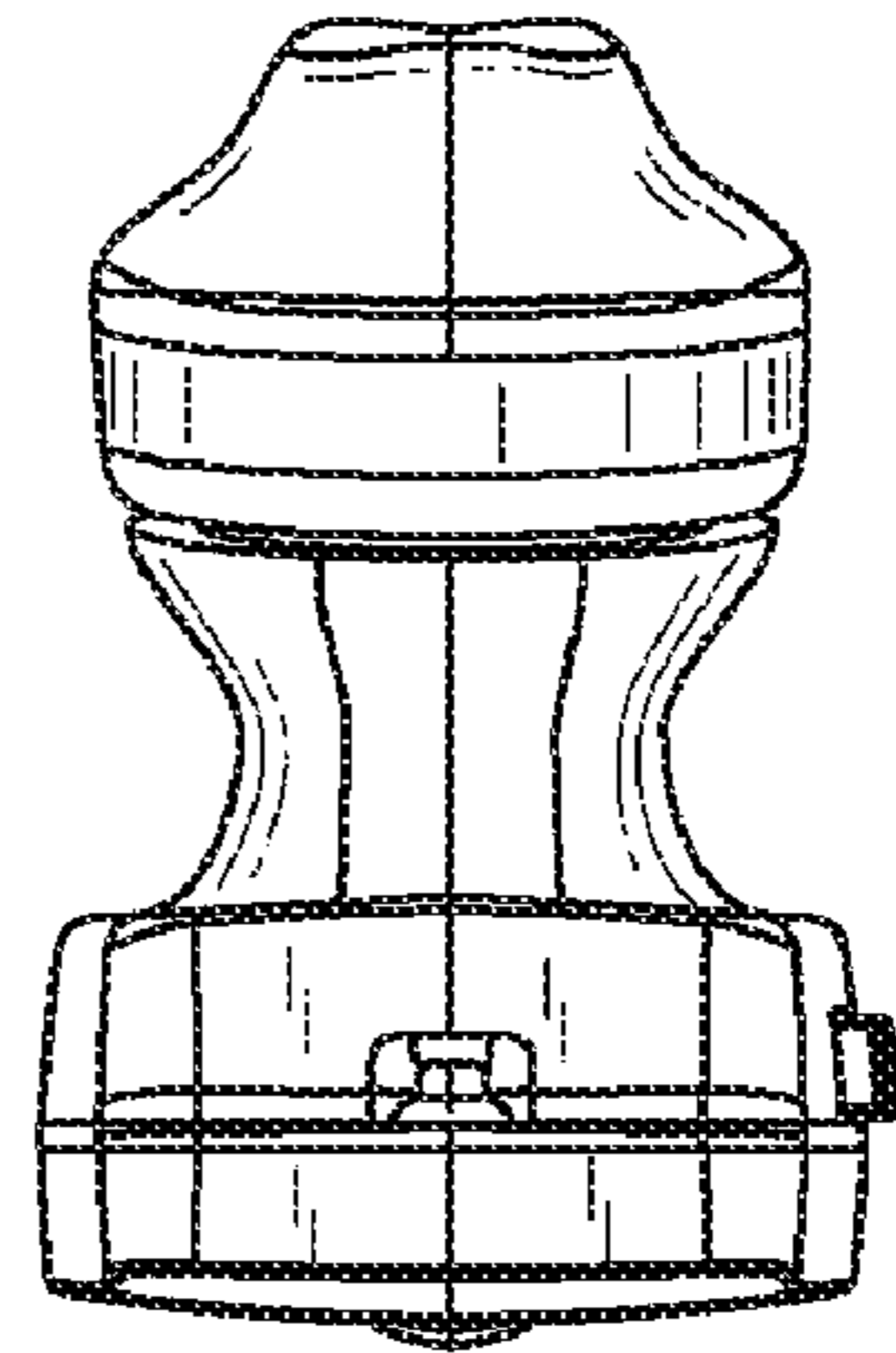


Fig. 5

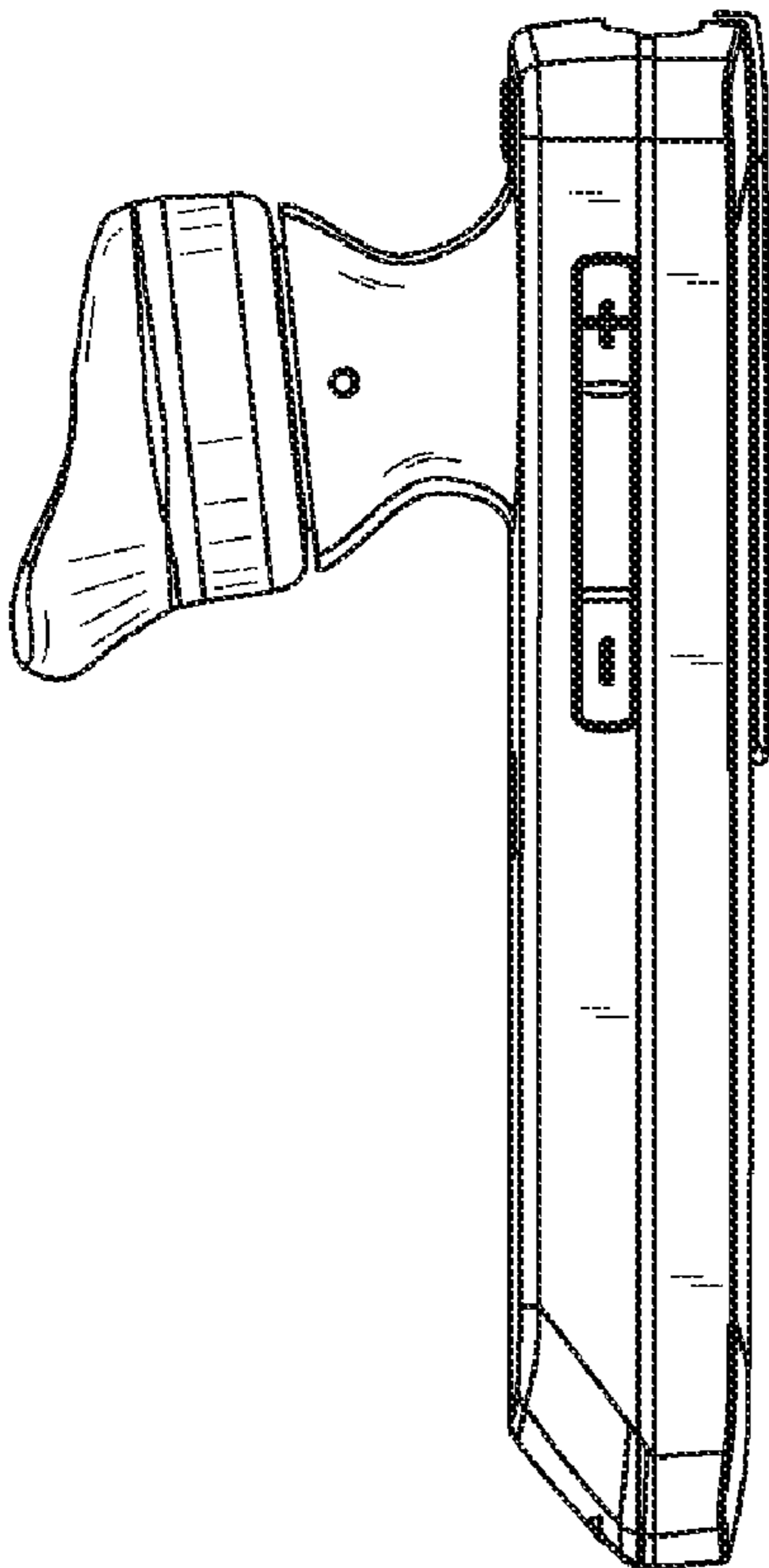


Fig. 6

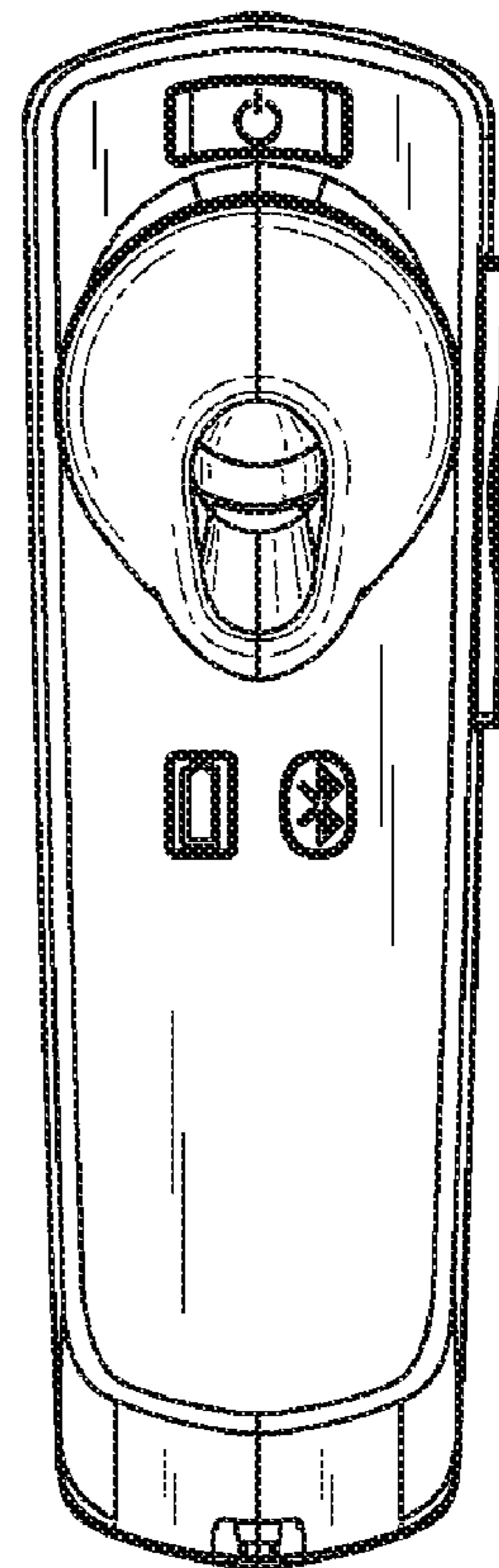


Fig. 7