



US00D61996S

(12) **United States Design Patent**  
**Demskie et al.**

(10) **Patent No.:** **US D619,996 S**  
(45) **Date of Patent:** **\*\* Jul. 20, 2010**

(54) **REMOTE CONTROL DOCKING CRADLE**

(75) Inventors: **John Michael Demskie**, Prior Lake, MN (US); **Bruce William Gaunt**, Albertville, MN (US); **Stefan Reiley Freeman**, Minneapolis, MN (US); **Timothy James Morton**, Austin, TX (US)

(73) Assignee: **Remote Technologies, Inc.**, Shakopee, MN (US)

(\*\*) Term: **14 Years**

(21) Appl. No.: **29/355,581**

(22) Filed: **Feb. 10, 2010**

(51) **LOC (9) Cl.** ..... **14-03**

(52) **U.S. Cl.** ..... **D14/218; D6/449**

(58) **Field of Classification Search** ..... D14/174, D14/137-139, 151, 217, 218, 191-193, 167, D14/299, 168, 247, 455, 456, 239; D13/168, D13/162-164; D21/512-517, 566; D10/104, D10/106; 345/169; 348/114, 734; 455/352-355, 455/151.1-151.4, 128, 347, 90.3; D6/490, D6/466, 471, 495, 449; 248/148, 176.1, 248/371

See application file for complete search history.

(56) **References Cited**

**U.S. PATENT DOCUMENTS**

D323,085 S \* 1/1992 Konkel ..... D6/466  
D363,619 S \* 10/1995 Karnaze ..... D6/449  
D381,212 S \* 7/1997 Pagano ..... D6/300  
D391,098 S \* 2/1998 Northrop ..... D6/466

D432,578 S \* 10/2000 Stravitz ..... D19/91  
D501,617 S \* 2/2005 Katz ..... D6/476  
D516,562 S \* 3/2006 Solomon et al. .... D14/434  
D557,698 S \* 12/2007 Lye ..... D14/447

\* cited by examiner

*Primary Examiner*—T. Chase Nelson  
*Assistant Examiner*—John Windmuller

(74) *Attorney, Agent, or Firm*—Larkin Hoffman Daly & Lindgren Ltd.; Craig J. Lervick

(57) **CLAIM**

The ornamental design for a remote control docking cradle, as shown and described.

**DESCRIPTION**

FIG. 1 is a perspective view of a remote control docking cradle illustrating our new design;

FIG. 2 is a perspective bottom view thereof;

FIG. 3 is a front view thereof;

FIG. 4 is a rear view thereof;

FIG. 5 is a side view thereof;

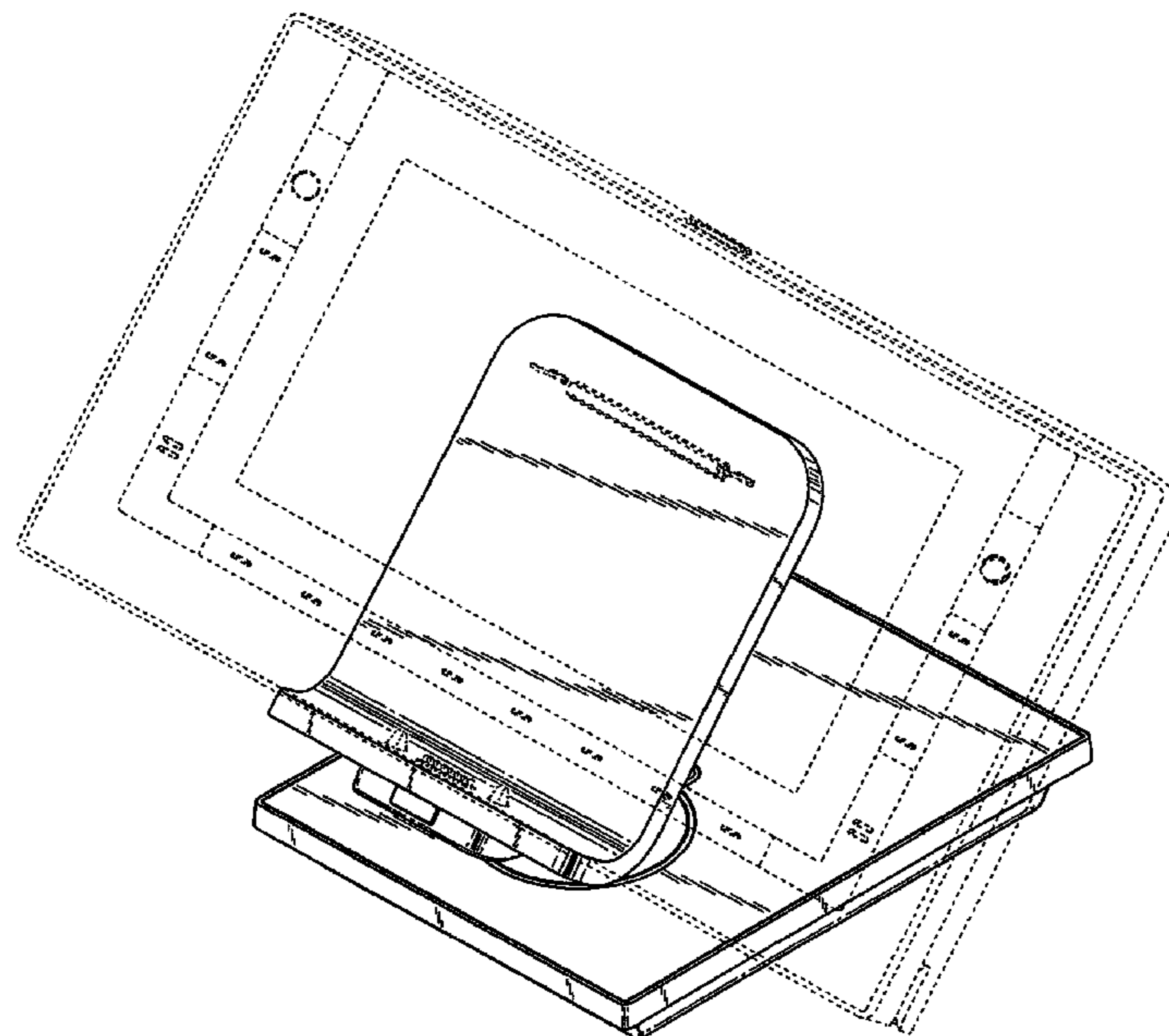
FIG. 6 is a top view thereof;

FIG. 7 is a bottom view thereof; and,

FIG. 8 is a perspective view of the remote control docking cradle having a remote control illustrated in a dashed-line format to show one exemplary use thereof.

It will be understood that the dashed lines presented in the drawings are for illustration purposes only and do not form any portion of the claimed design.

**1 Claim, 8 Drawing Sheets**



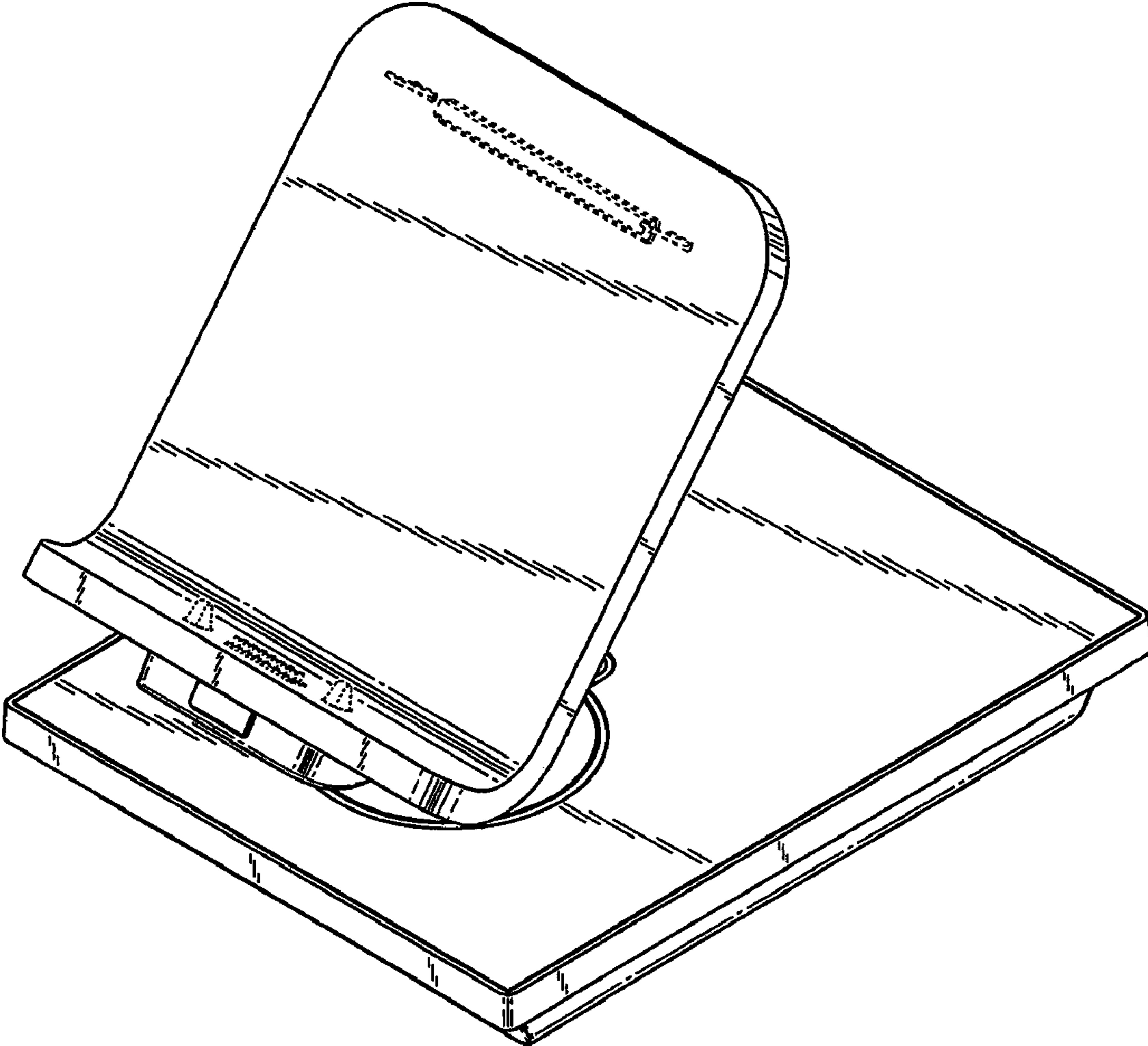
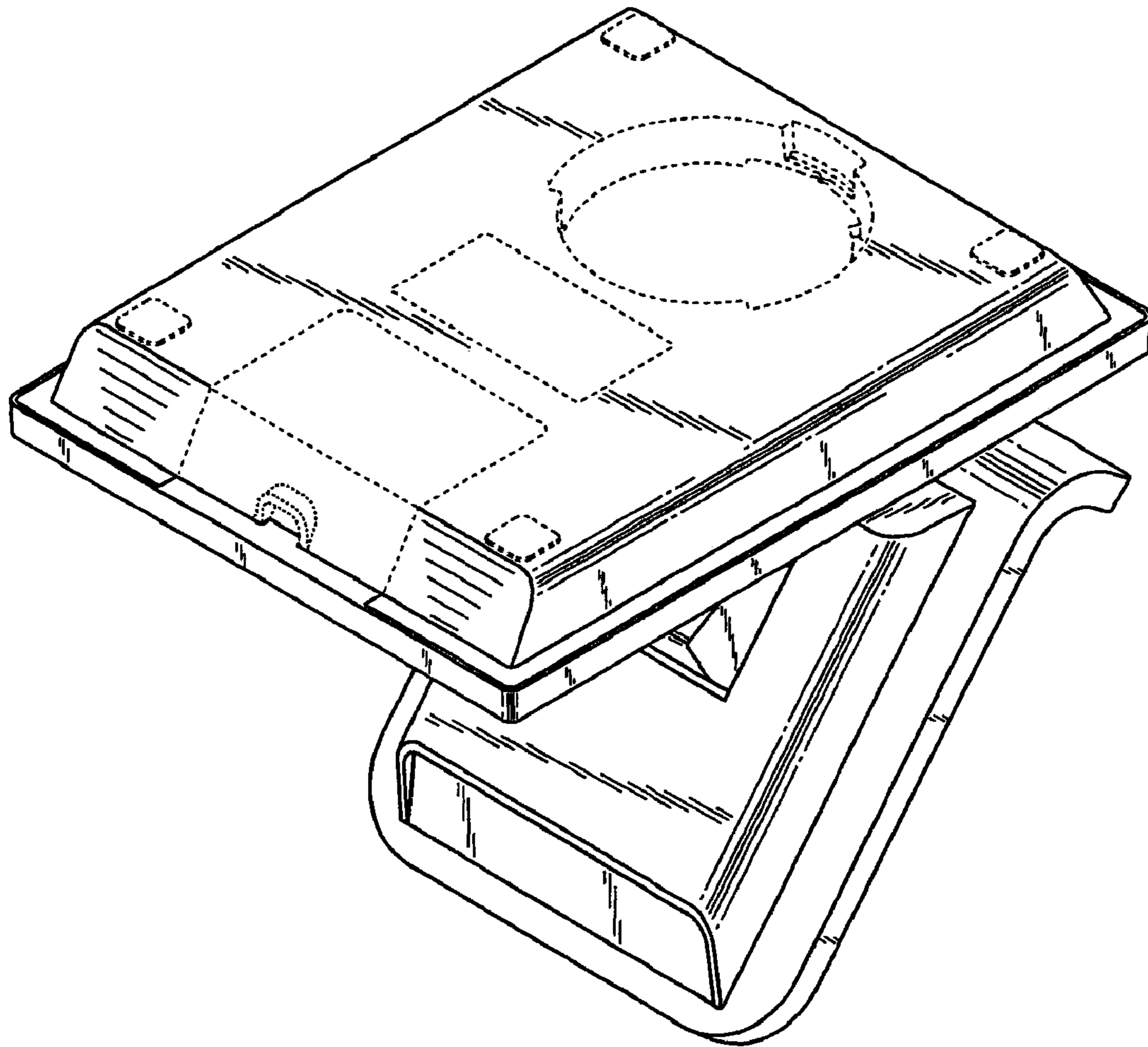
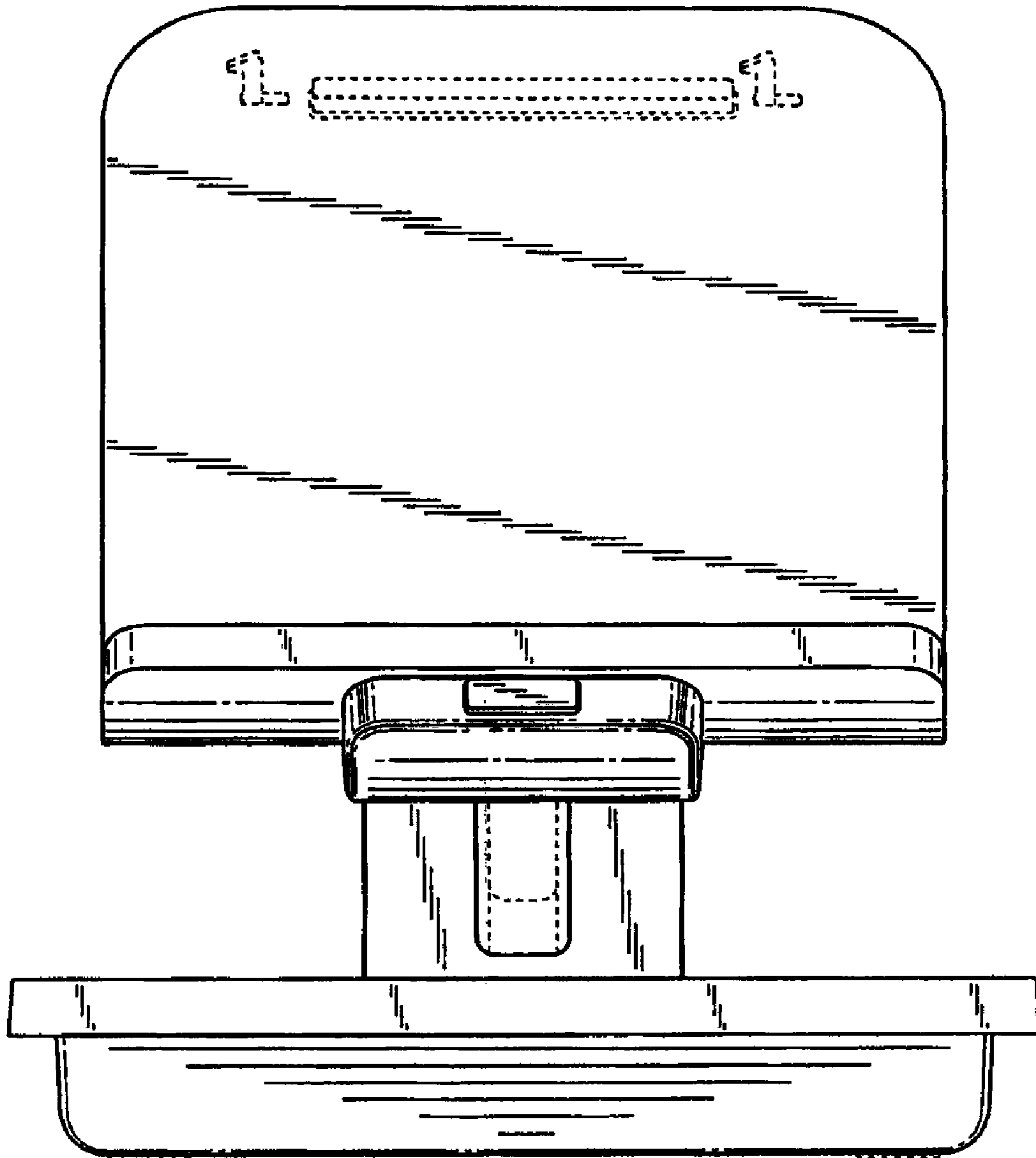


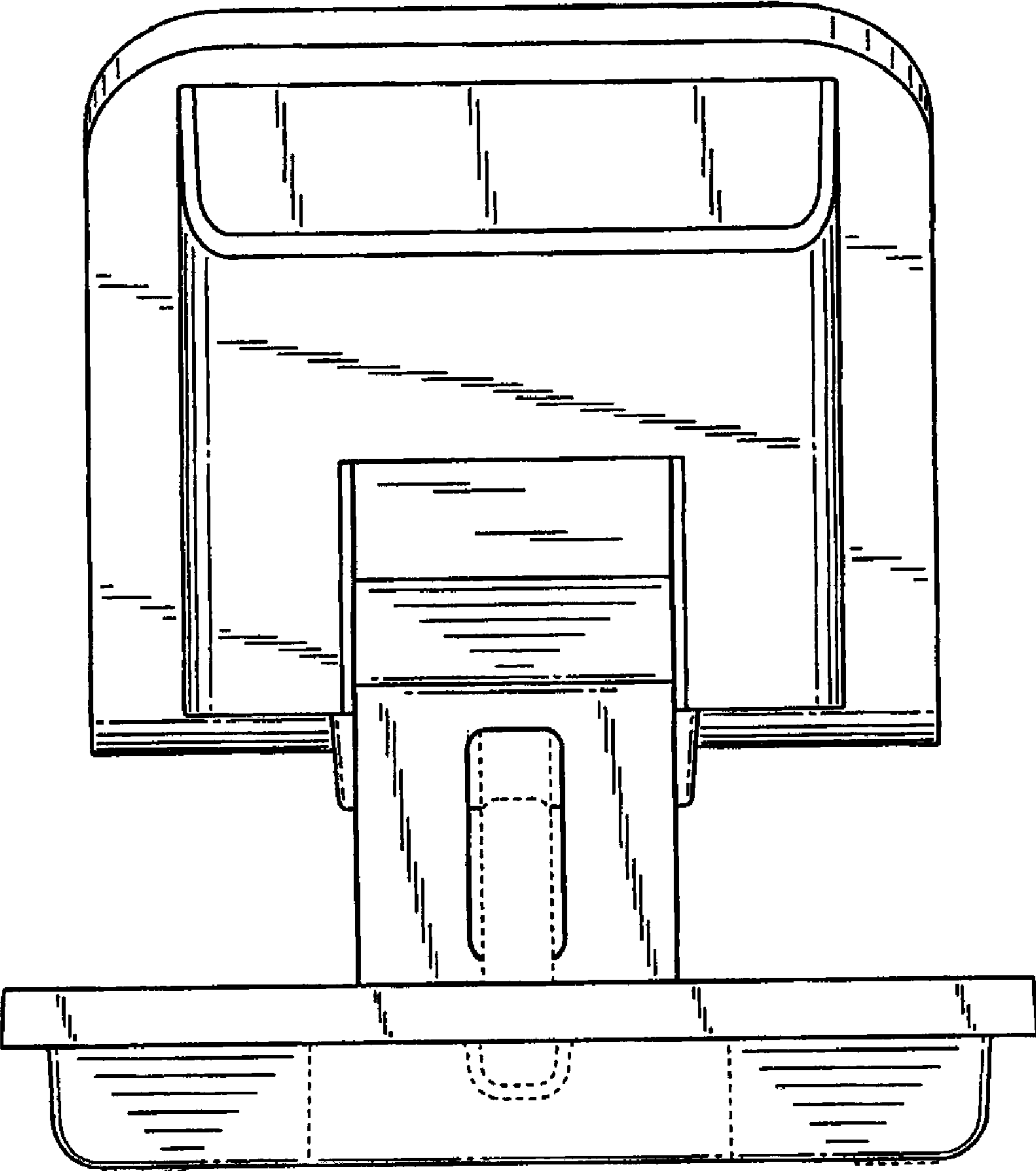
Fig. 1



**Fig. 2**



**Fig. 3**



**Fig. 4**

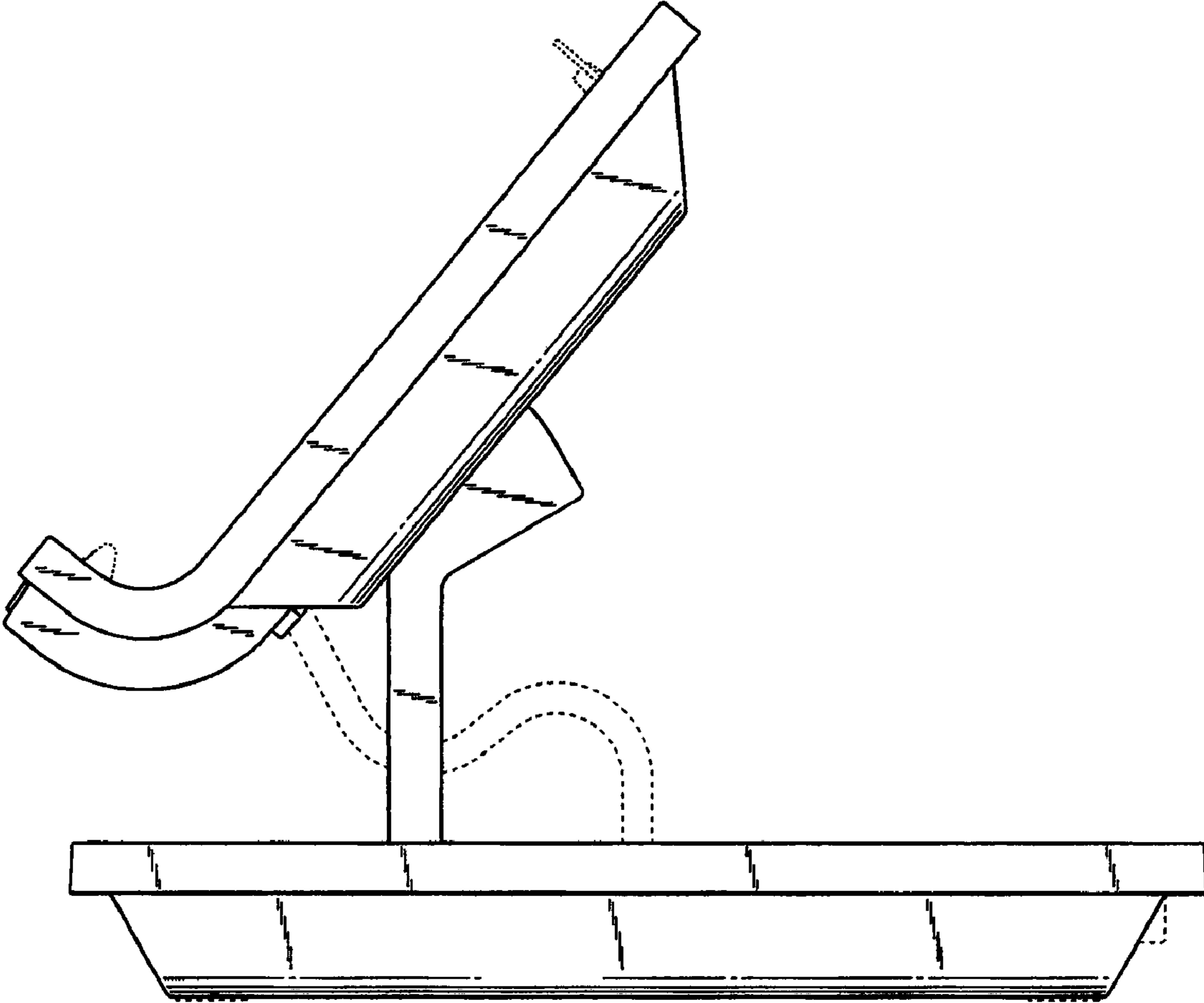


Fig. 5

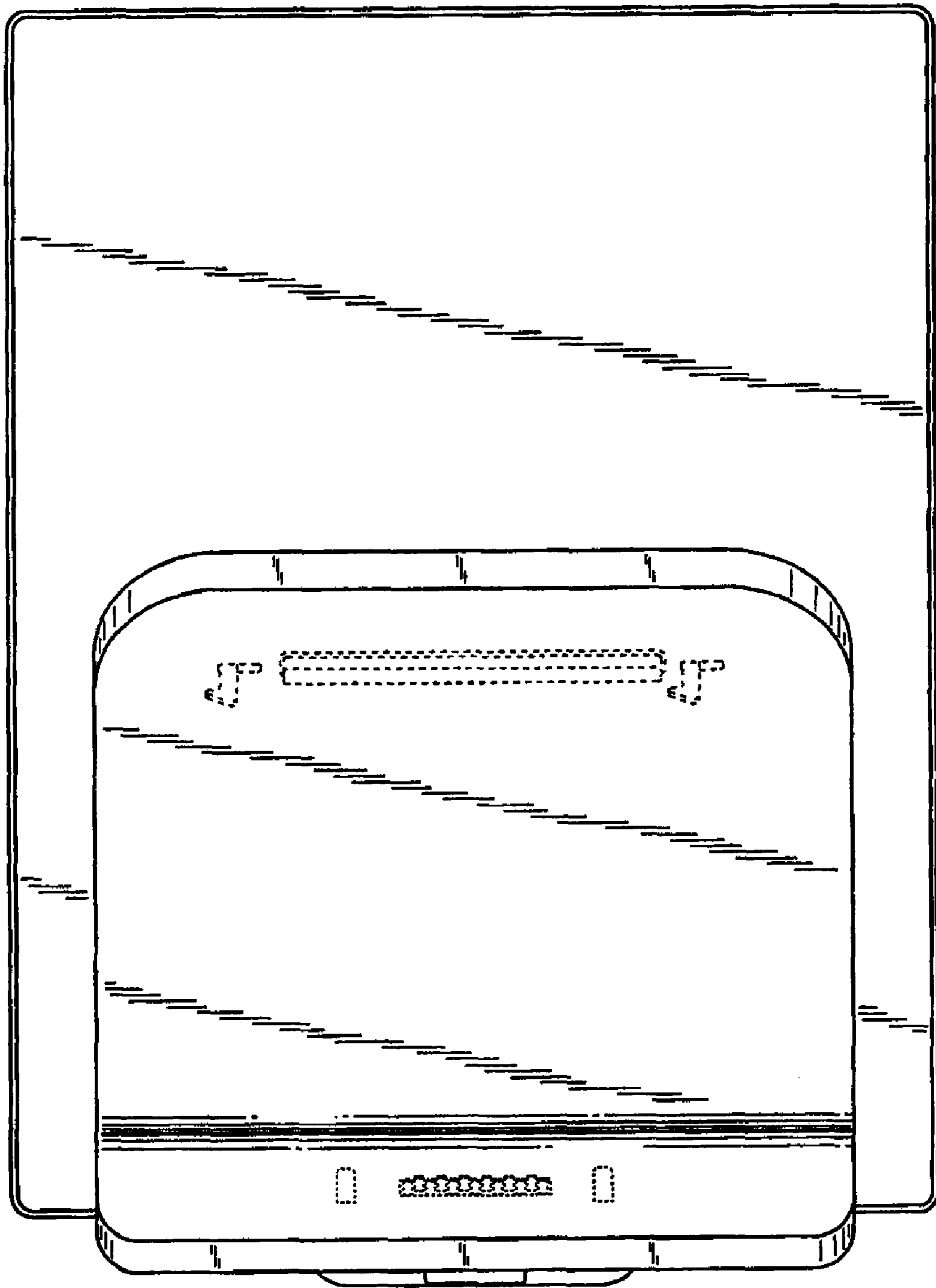
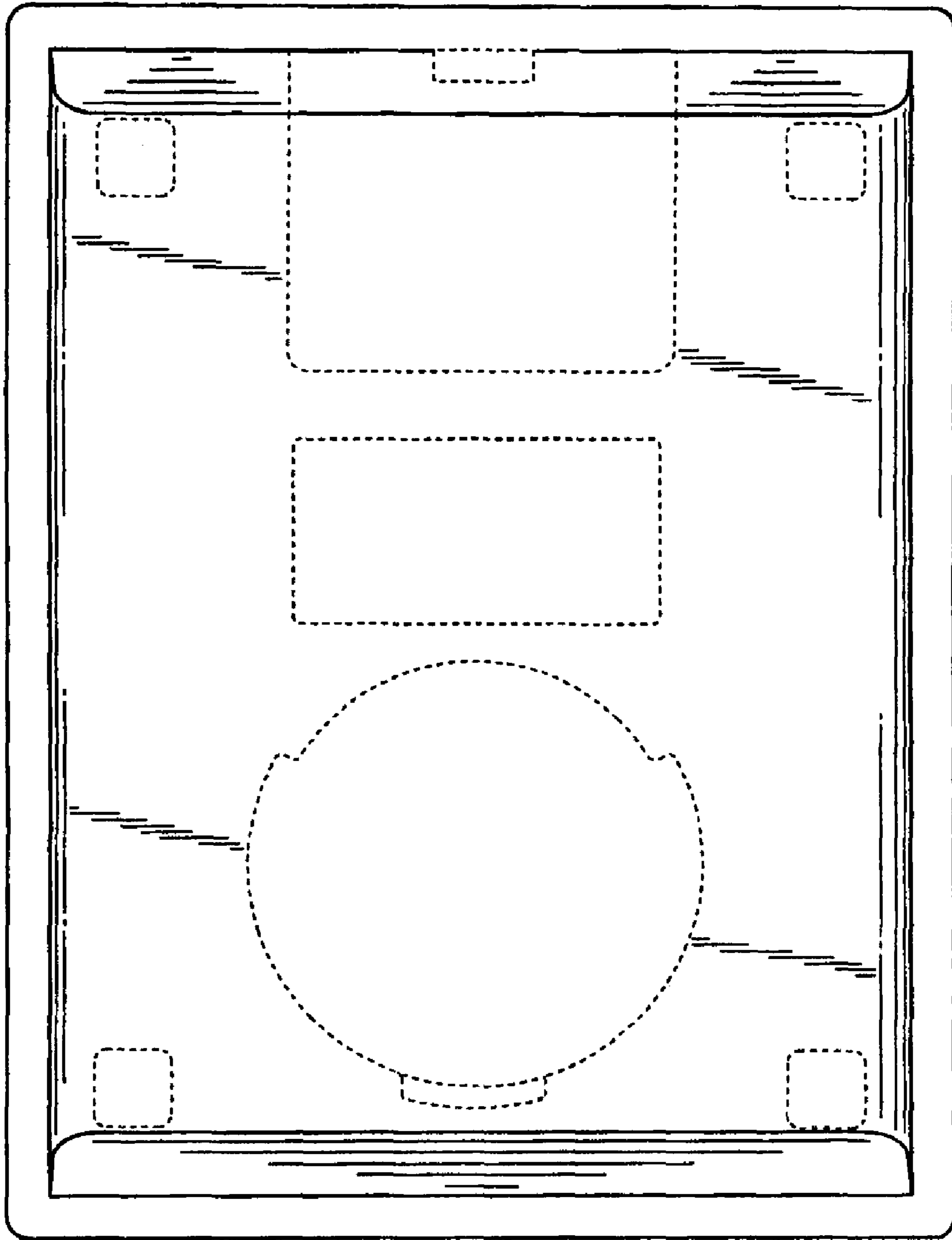


Fig. 6



**Fig. 7**



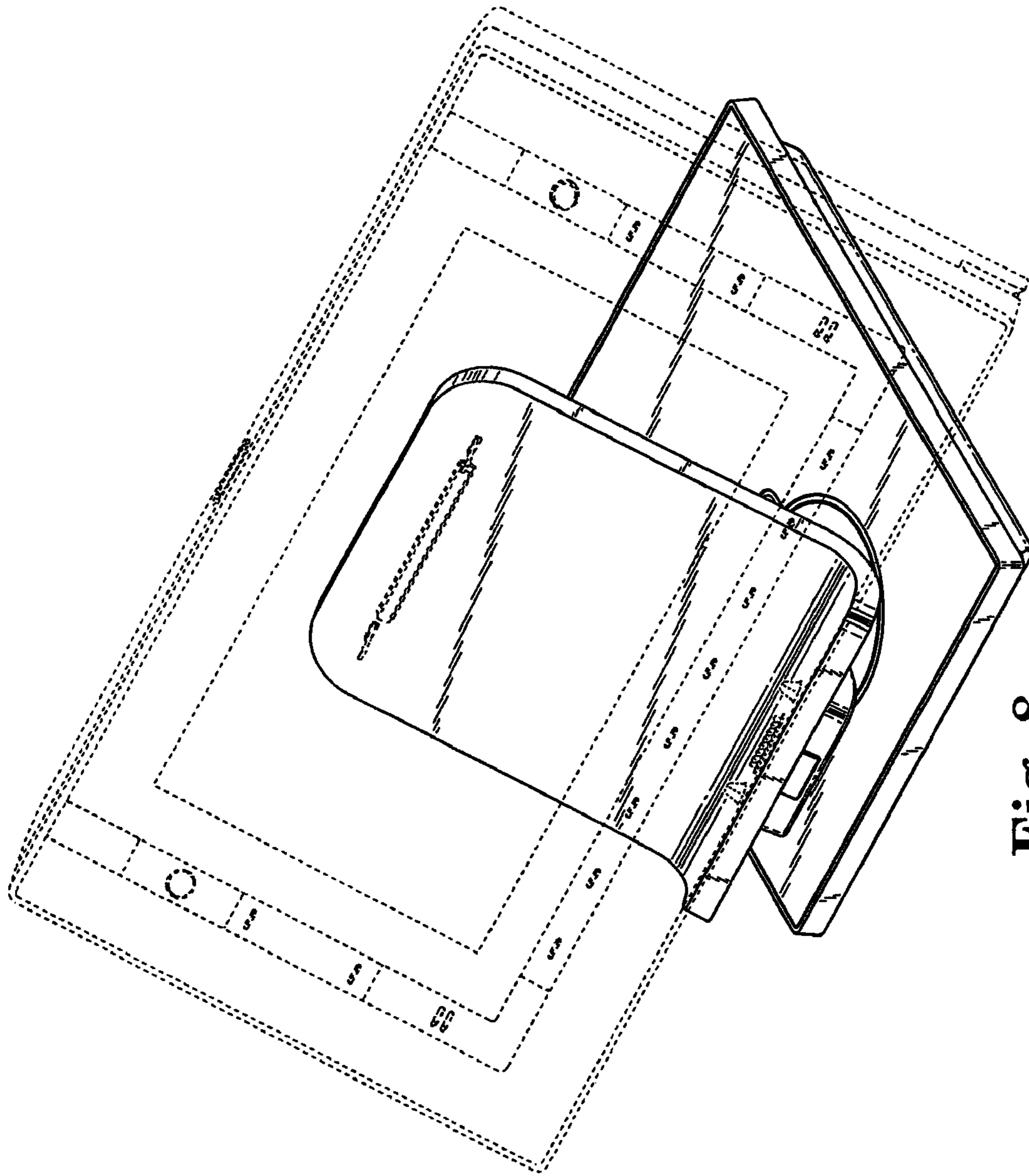


Fig. 8