



US00D619995S

(12) **United States Design Patent**
Jha

(10) **Patent No.:** **US D619,995 S**
(45) **Date of Patent:** **** Jul. 20, 2010**

(54) **MODULAR ENTERTAINMENT SYSTEM SPEAKER**

D440,557 S * 4/2001 Su D14/215
6,236,398 B1 5/2001 Kojima et al.
D477,829 S 7/2003 Hussaini et al.
D477,830 S 7/2003 Hussaini et al.
6,587,739 B1 7/2003 Abrams et al.

(75) Inventor: **Hemant Jha**, Los Angeles, CA (US)

(73) Assignees: **Sony Corporation**, Tokyo (JP); **Sony Electronics Inc.**, Park Ridge, NJ (US)

(Continued)

(**) Term: **14 Years**

FOREIGN PATENT DOCUMENTS

(21) Appl. No.: **29/352,900**

EP 1631118 3/2006

(22) Filed: **Dec. 29, 2009**

(Continued)

Related U.S. Application Data

OTHER PUBLICATIONS

(62) Division of application No. 29/339,541, filed on Jul. 1, 2009, which is a division of application No. 29/250,432, filed on Nov. 14, 2006, now Pat. No. Des. 597,525.

“Smart Architectural Surfaces; Object-Based Media Group”, *MIT Media Laboratory; Fall/Winter 2005-2006*; 2 pps.; <http://web.media.mit.edu>.

(Continued)

(51) **LOC (9) Cl.** **14-01**

(52) **U.S. Cl.** **D14/216**

(58) **Field of Classification Search** D14/496,
D14/498, 204, 207, 209, 209.1, 210–216,
D14/167–168; 181/147–148, 150–153, 157,
181/198–199; 369/75.11, 75.21, 77.11, 77.21;
345/1.2, 2.1; 455/344, 347–351; 381/300–303,
381/306, 322–333, 336, 345, 361–364, 386–388

Primary Examiner—Nanda Bondade

(74) *Attorney, Agent, or Firm*—Fitch, Even, Tabin & Flannery

See application file for complete search history.

(57) **CLAIM**

The ornamental design for a modular entertainment system speaker, substantially as shown and described.

(56) **References Cited**

DESCRIPTION

U.S. PATENT DOCUMENTS

D359,492 S 6/1995 Dyas
D360,637 S 7/1995 Arie
5,444,194 A * 8/1995 Reinke 181/150
D362,442 S * 9/1995 Goldfarb D14/216
5,898,650 A 4/1999 Porsbo et al.
D432,518 S 10/2000 Muto
6,154,201 A 11/2000 Levin et al.

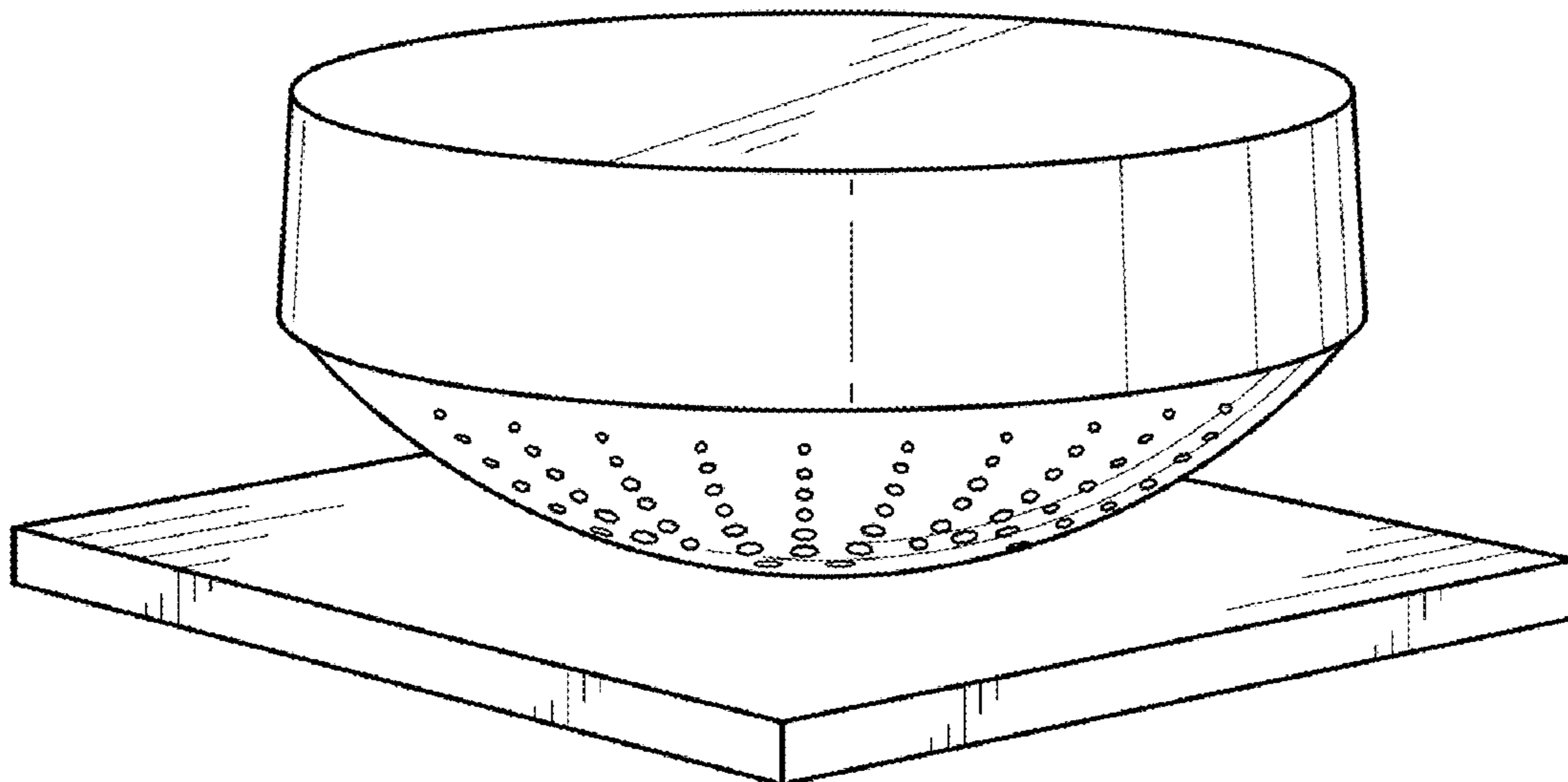
FIG. 1 is a perspective view of a modular entertainment system speaker showing my design;

FIG. 2 is a front elevational view of FIG. 1, the rear, right side, and left side elevational views being mirror images thereof;

FIG. 3 is a top plan view of FIG. 1; and,

FIG. 4 is a bottom plan view of FIG. 1.

1 Claim, 2 Drawing Sheets



US D619,995 S

Page 2

U.S. PATENT DOCUMENTS

6,710,754 B2 3/2004 Hanson et al.
D516,082 S 2/2006 Lewis
7,095,867 B2 8/2006 Schul et al.
D554,619 S * 11/2007 Solland D14/215
D567,224 S * 4/2008 Laituri et al. D14/216
D584,290 S * 1/2009 Lee D14/216
D597,525 S 8/2009 Jha
7,679,524 B2 3/2010 Hofer et al.
2003/0048254 A1 3/2003 Huang
2003/0197740 A1 10/2003 Reponen
2004/0100440 A1 5/2004 Levin et al.
2004/0207607 A1 10/2004 Specks et al.
2005/0168435 A1 8/2005 Reed et al.
2006/0109134 A1 5/2006 Aisa
2006/0184871 A1 8/2006 Waters
2006/0195789 A1 8/2006 Rogers et al.
2007/0216665 A1 9/2007 Jha et al.
2007/0229215 A1 10/2007 Jha

FOREIGN PATENT DOCUMENTS

JP 2002367491 12/2002

JP 2005292767 6/2005

OTHER PUBLICATIONS

“User’s Manual for the Automated Denture Furnace for Metal Ceramics”, <http://www.tokmet.com/software/D500M%20Manual.pdf>; Dentamatic 550/Chameleon-M; 7 pps.
“iDrive system in the new 7er”, www.7-forum.com; 734.com; 11 pps.
“Robert Bosch GmbH”, Blaupunkt; <http://www.bosch-presse.de>; Aug. 2004; 3 pps.
Rivituso, Monica “Sirius Unveils its Latest Products”, SmartMoney.com; Aug. 26, 2005; 2 pps/.
“iPod User’s Guide”, <http://www.apple.com/support/manuals/ipod>; 2004 Apple Computer, Inc.; 64 pps.
Non Final Office Action from 11/559639 mailed Mar. 17, 2009.
“BeoCenter 2 User Guide;”, *Bang & Olufsen website*; <http://www.bang-olufsen.com/beocenter2>; downloaded Aug. 13, 2009; 44 pages.
Notice of Allowance from 29/339541 mailed Oct. 5, 2009.
Final Office Action from 11/559639 mailed Oct. 14, 2009.
Supplemental Notice of Allowability from 29/339541 mailed Feb. 4, 2010.
Non-Final Office Action from U.S. Appl. No. 11/554,886 mailed Apr. 1, 2010.
Non-Final Office Action from U.S. Appl. No. 11/559,639 mailed Apr. 12, 2010.

* cited by examiner

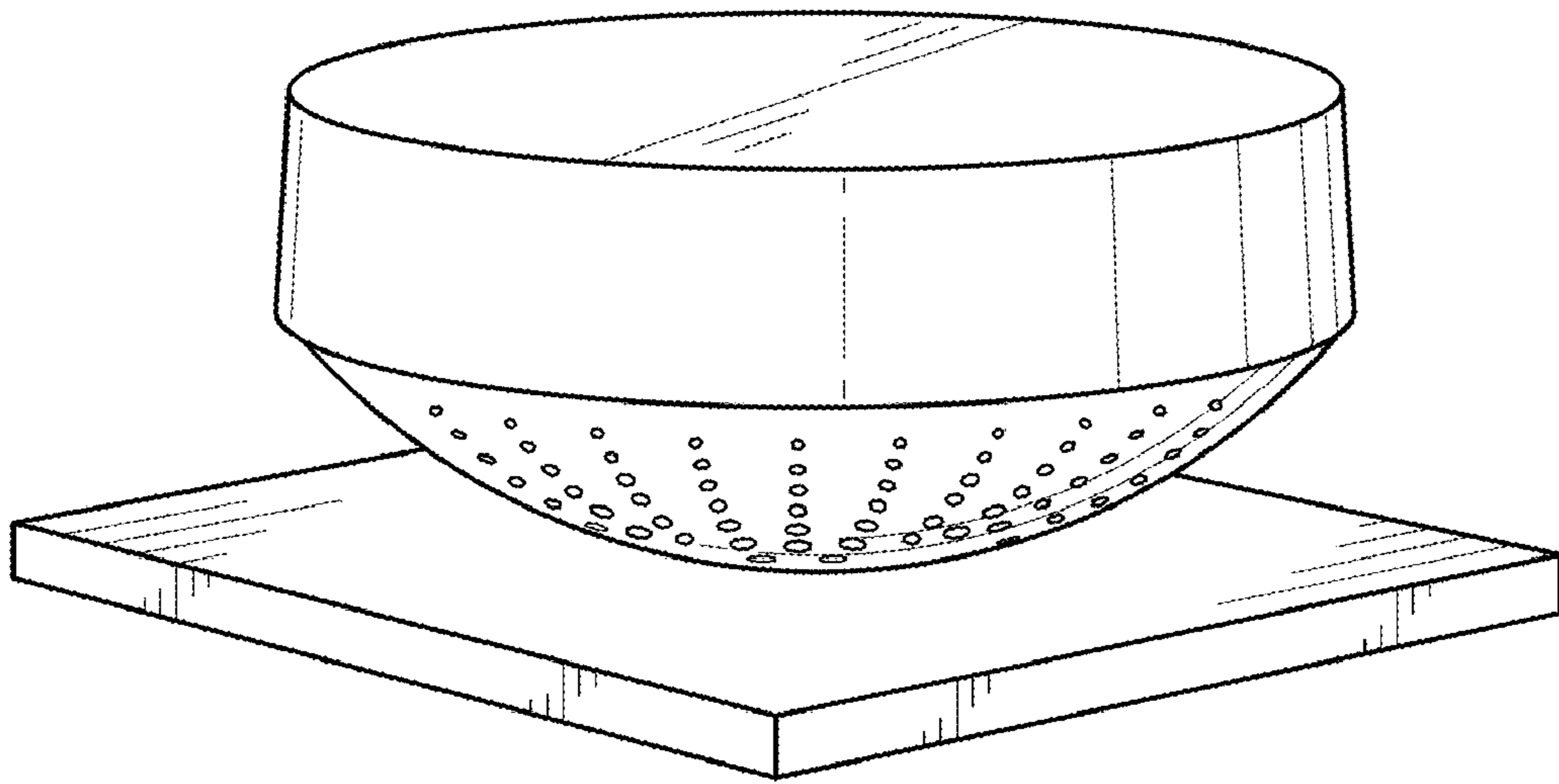


FIG. 1

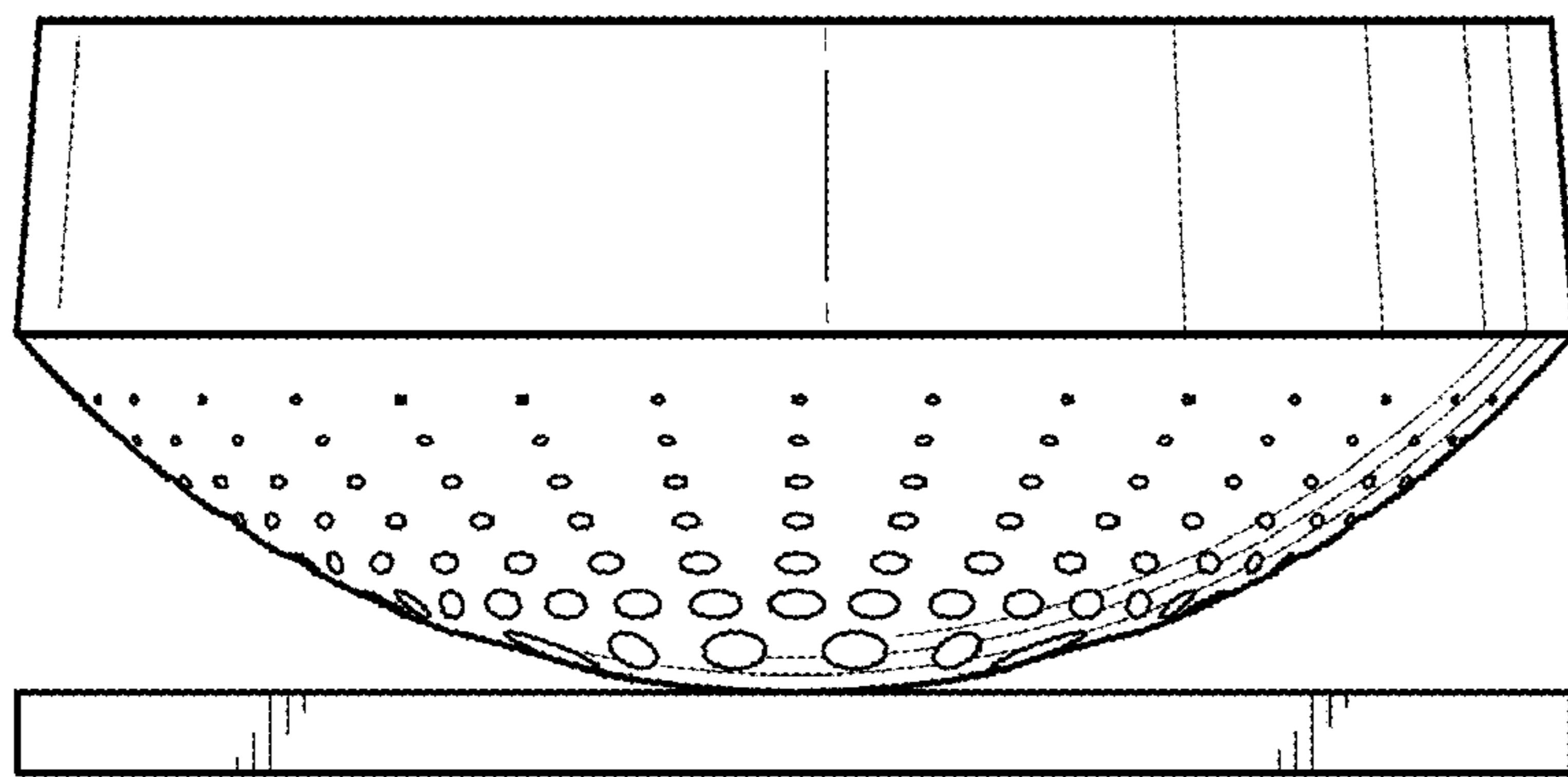


FIG. 2

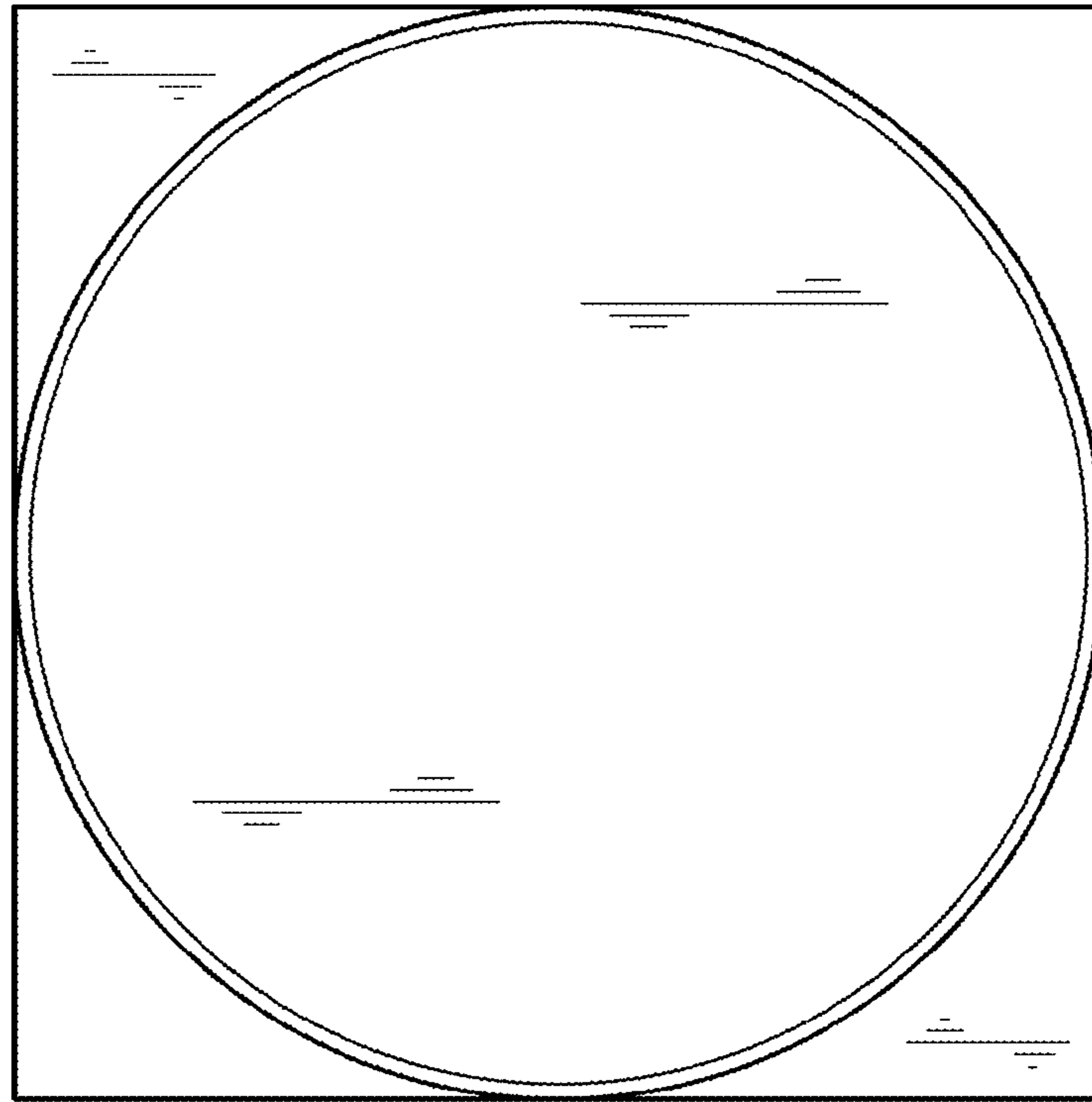


FIG. 3

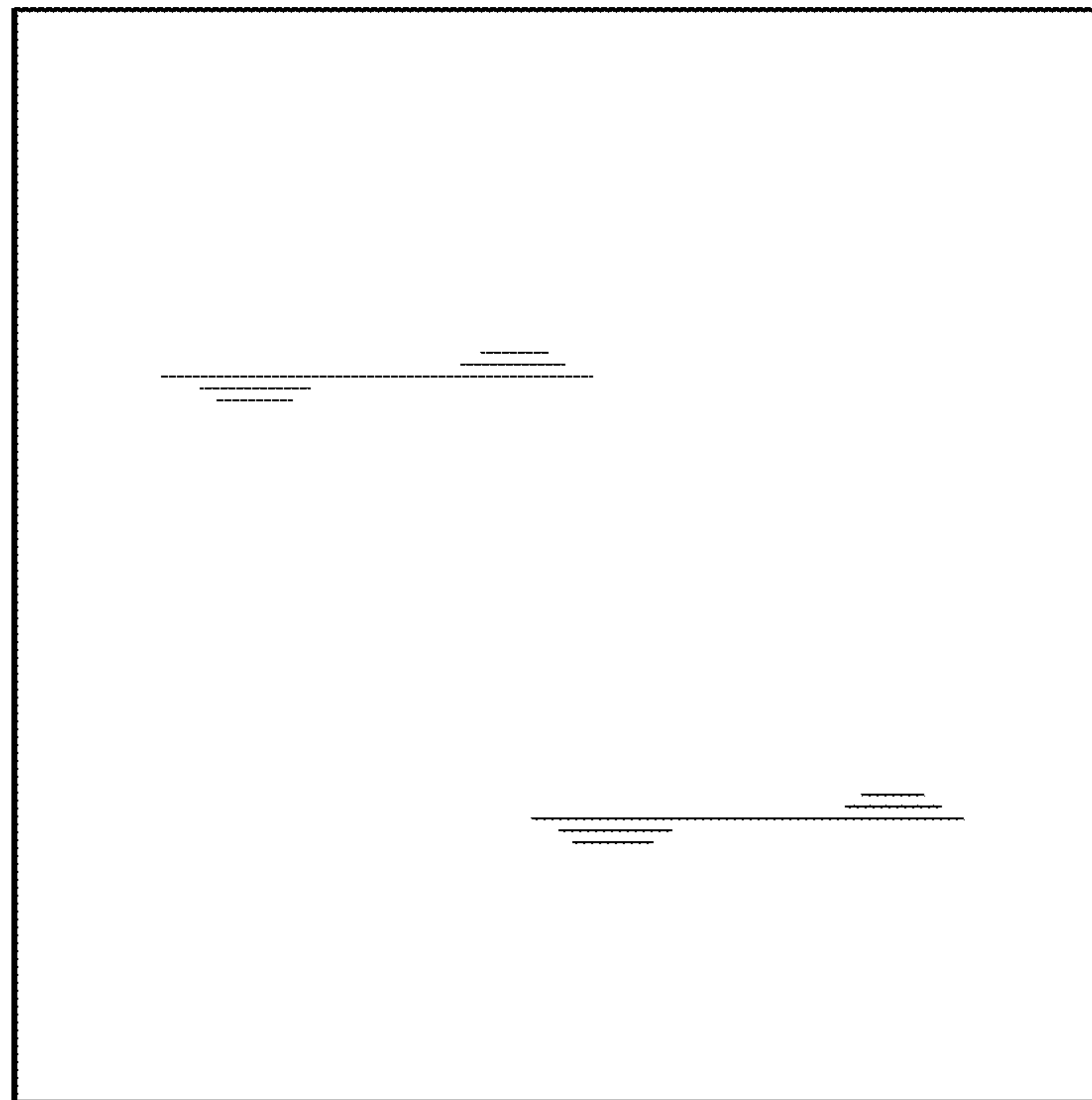


FIG. 4