



US00D61993S

(12) **United States Design Patent**
Song

(10) **Patent No.:** **US D619,993 S**

(45) **Date of Patent:** **** Jul. 20, 2010**

(54) **COMBINED DISC PLAYER AND RADIO**

D567,818 S * 4/2008 Zhang D14/496
D597,520 S 8/2009 Shiono et al.

(75) Inventor: **Xiaofeng Song**, Shanghai (CN)

FOREIGN PATENT DOCUMENTS

(73) Assignee: **Sony Corporation**, Tokyo (JP)

CN 3396196 S 10/2004

CN 3484198 S 11/2005

(**) Term: **14 Years**

* cited by examiner

(21) Appl. No.: **29/347,046**

Primary Examiner—Nanda Bondade

(22) Filed: **Sep. 4, 2009**

(74) *Attorney, Agent, or Firm*—Rader, Fishman & Grauer PLLC

(51) **LOC (9) Cl.** **14-01**

(57) **CLAIM**

(52) **U.S. Cl.** **D14/168**

(58) **Field of Classification Search** D14/496,
D14/498–511, 162, 168, 171, 188, 197–198;
360/99.02, 99.07; 369/75.11, 75.21, 77.11,
369/77.21; 720/601, 612, 619, 649, 655;
455/344, 347–351

The ornamental design for a combined disc player and radio, as shown and described.

See application file for complete search history.

DESCRIPTION

(56) **References Cited**

FIG. 1 is a perspective view of a combined disc player and radio showing my new design;

FIG. 2 is a front elevational view thereof;

FIG. 3 is a rear elevational view thereof;

FIG. 4 is a left side elevational view thereof;

FIG. 5 is a right side elevational view thereof;

FIG. 6 is a top plan view thereof; and,

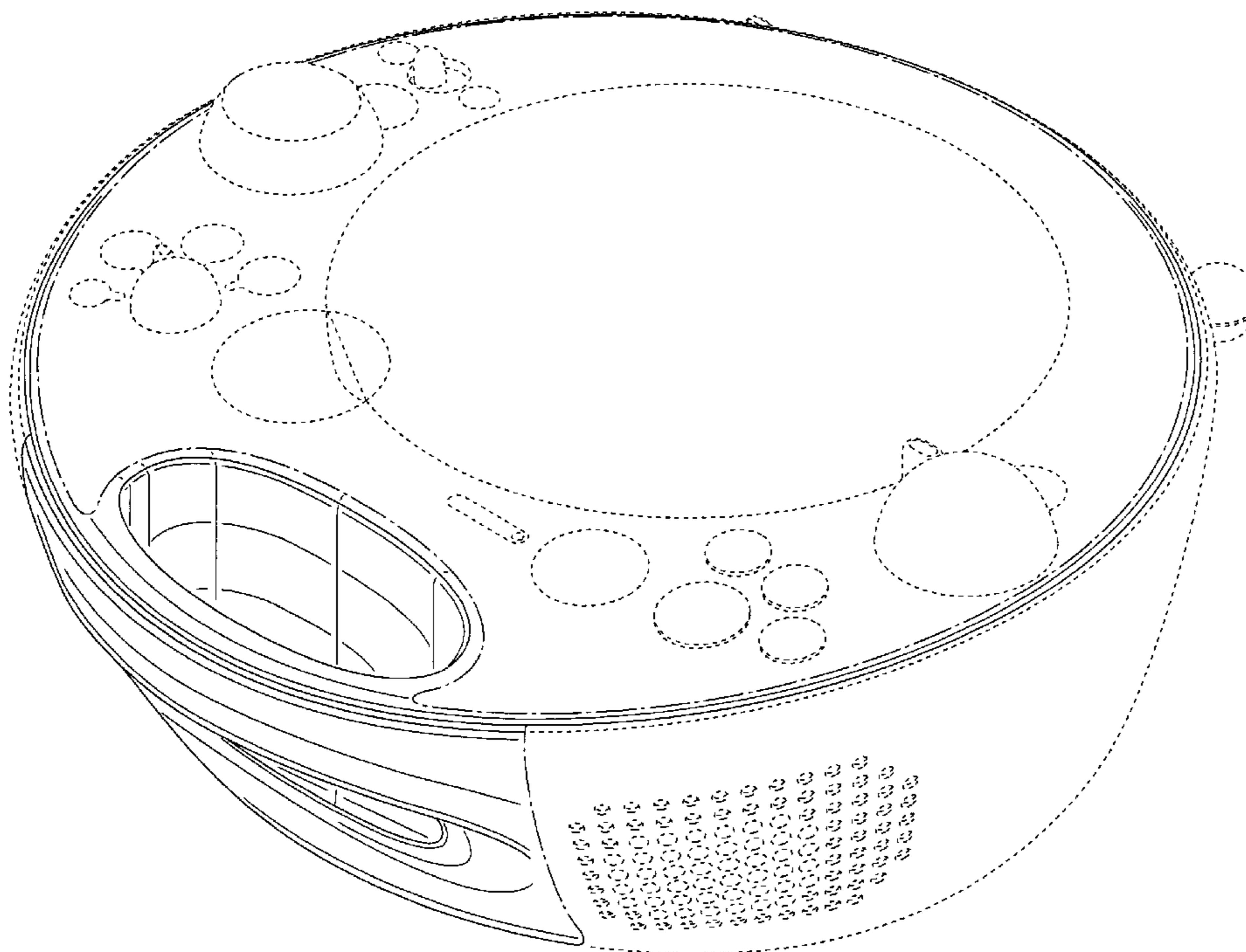
FIG. 7 is a bottom plan view thereof.

The portions that are shown in even broken lines are for illustrative purposes only and form no part of the claimed design. The dot-dash broken lines shown in drawings define, but are not included in, the boundaries of the claimed design.

U.S. PATENT DOCUMENTS

D468,717 S *	1/2003	Cuvelier	D14/168
D482,018 S	11/2003	Christianson		
D485,251 S *	1/2004	Lee	D14/509
D491,913 S *	6/2004	Chan	D14/168
D496,649 S	9/2004	Murakami		
D501,843 S	2/2005	Oas		
D516,538 S	3/2006	Hibi		
D519,976 S *	5/2006	Lee	D14/509
D521,975 S	5/2006	Yokoyama		
D526,992 S	8/2006	Sakai		
D565,536 S	4/2008	Obata		

1 Claim, 7 Drawing Sheets



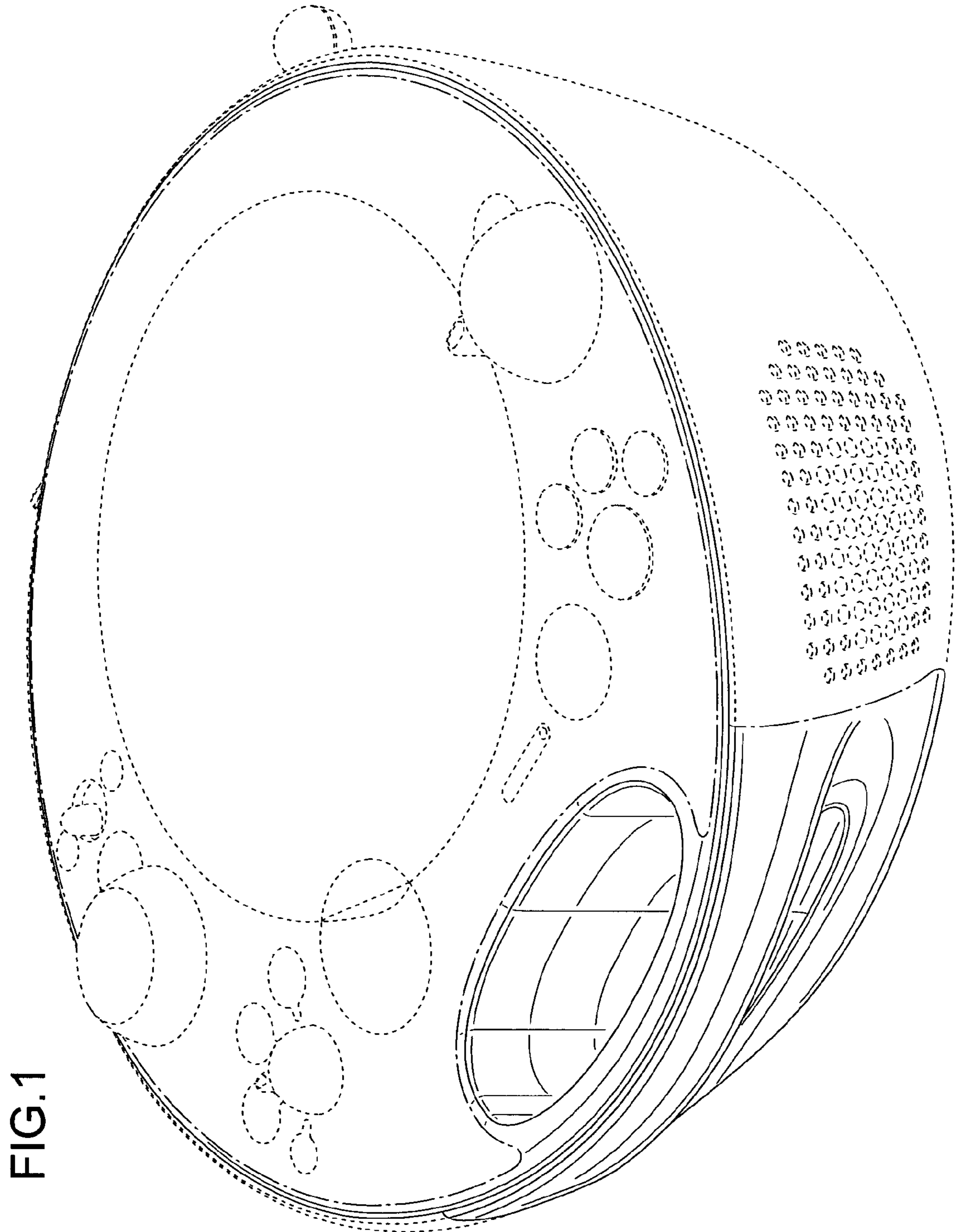


FIG. 1

FIG.2

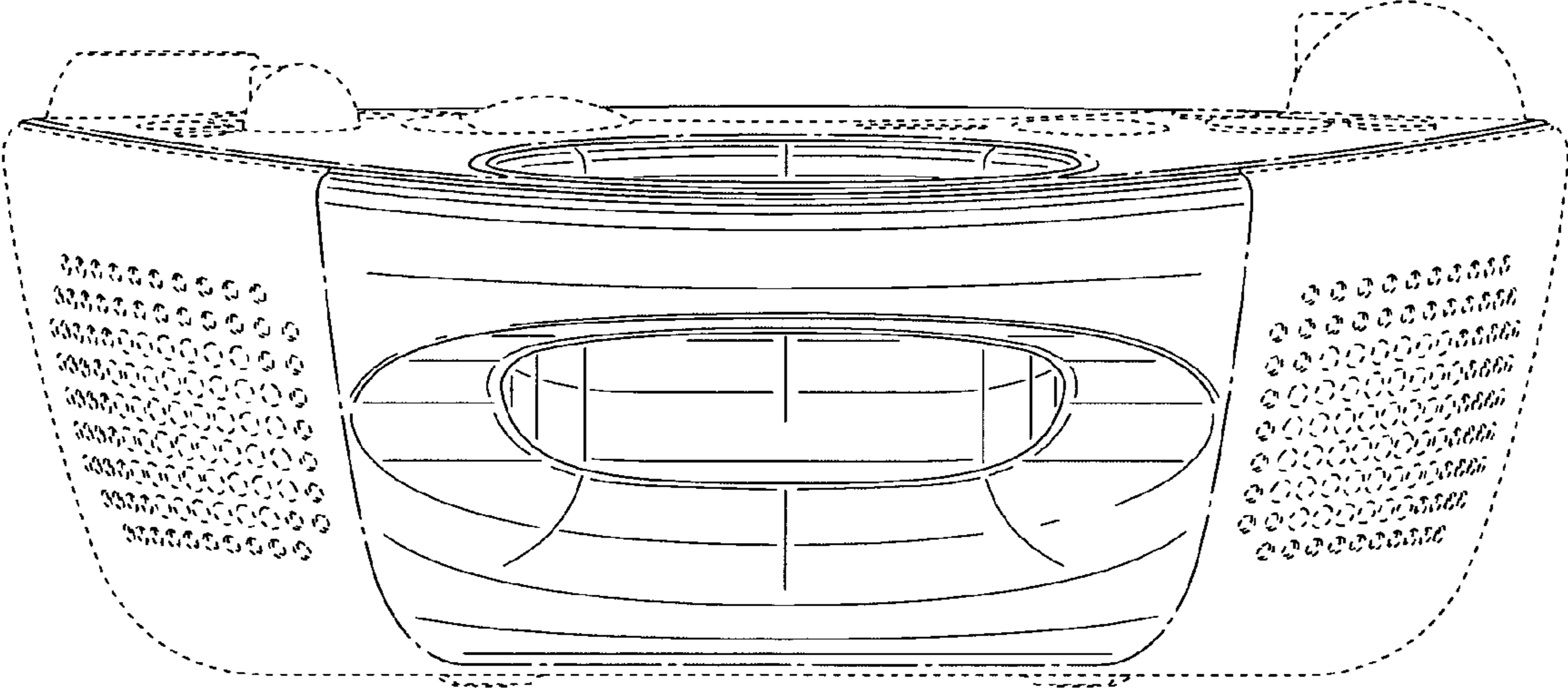


FIG.3

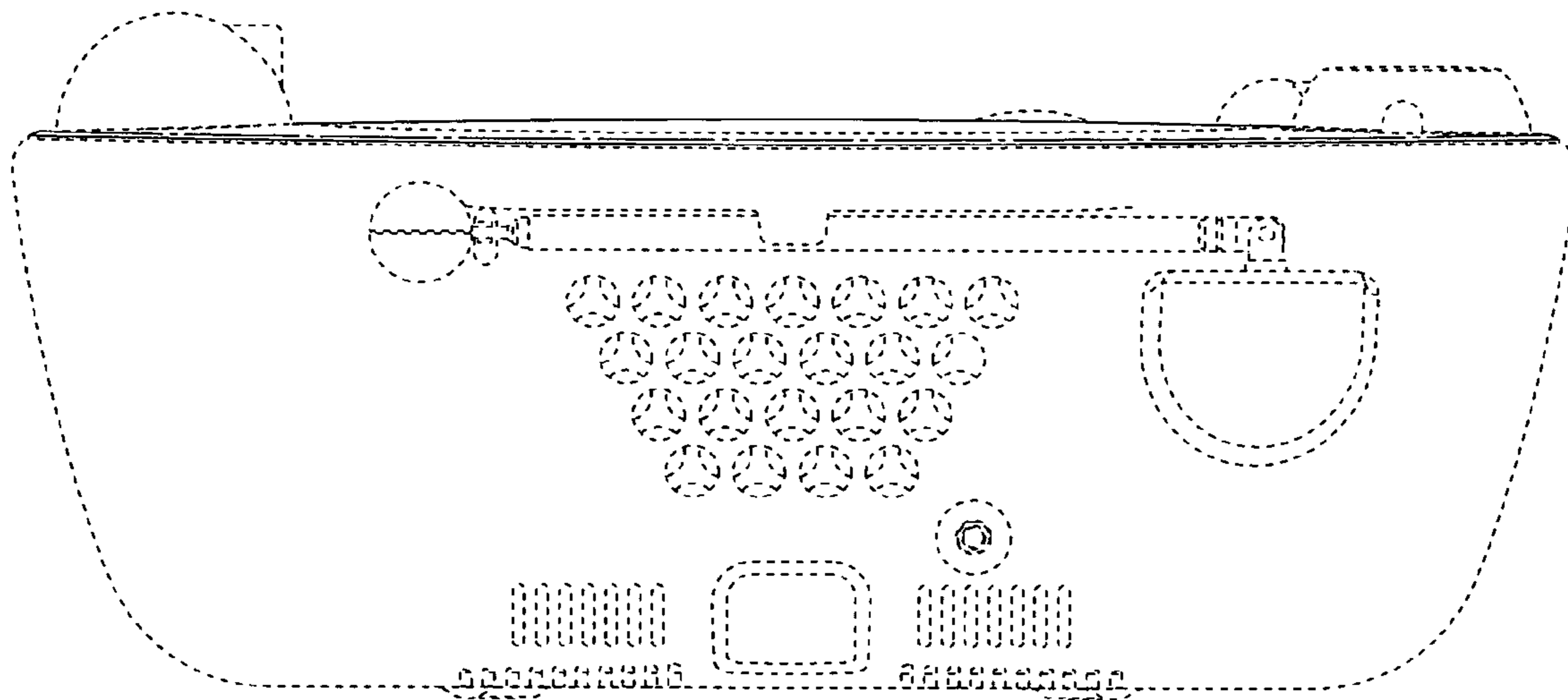


FIG.4

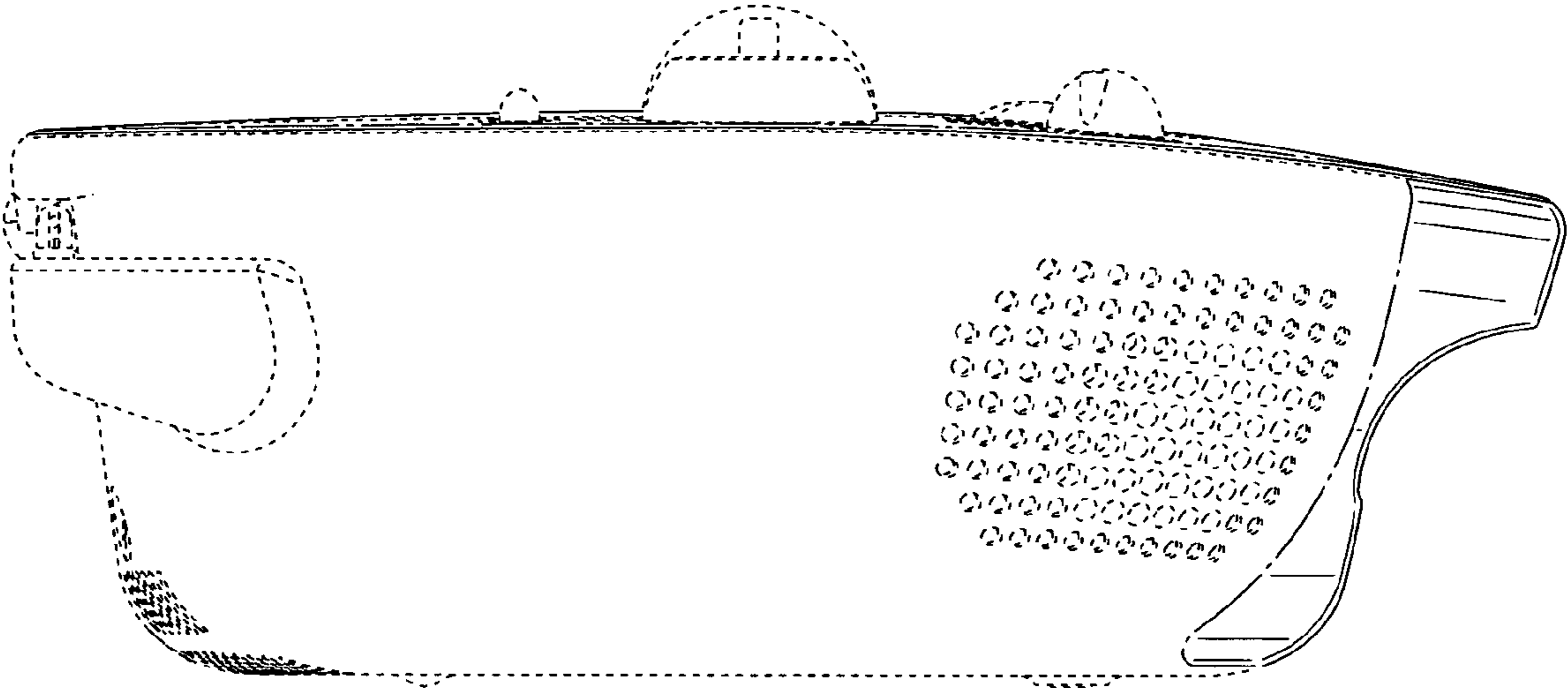


FIG.5

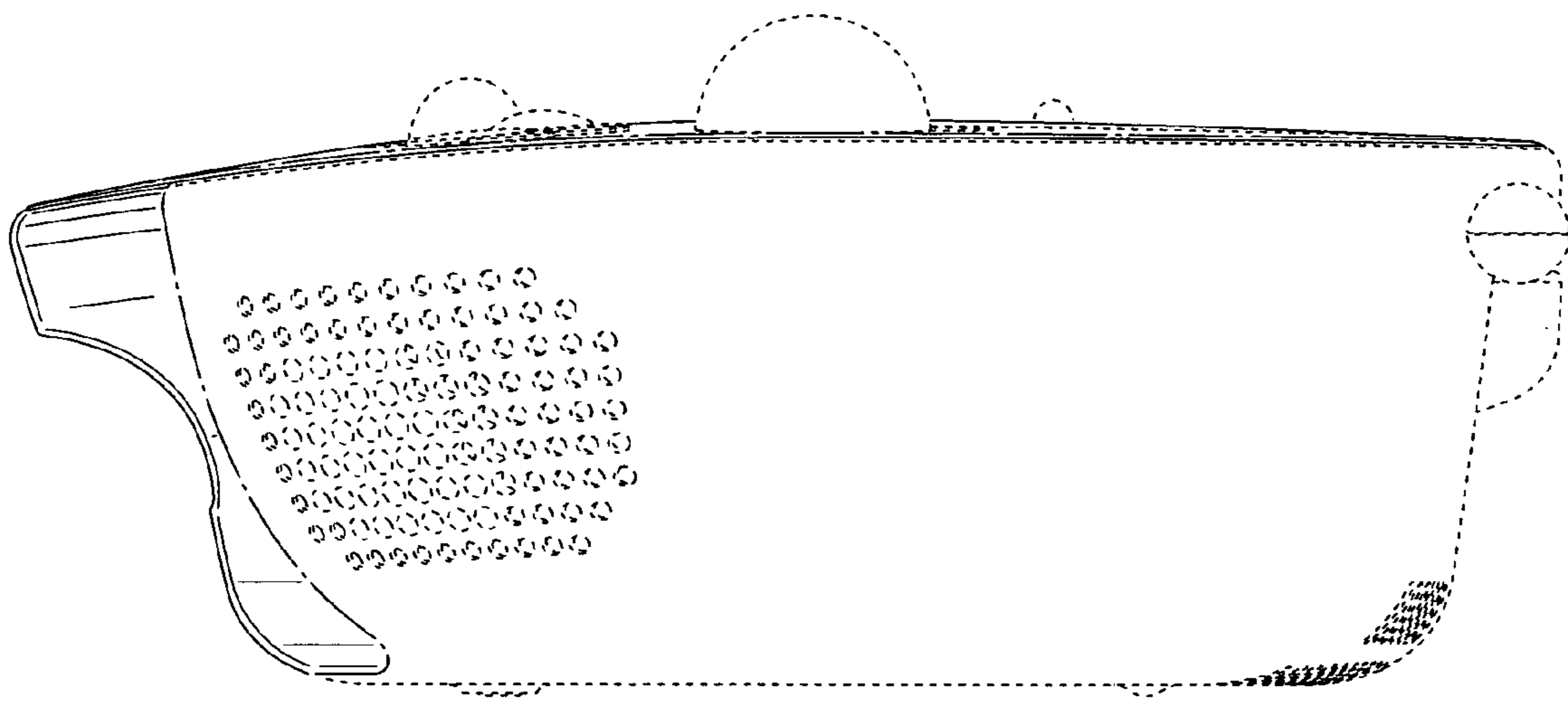


FIG.6

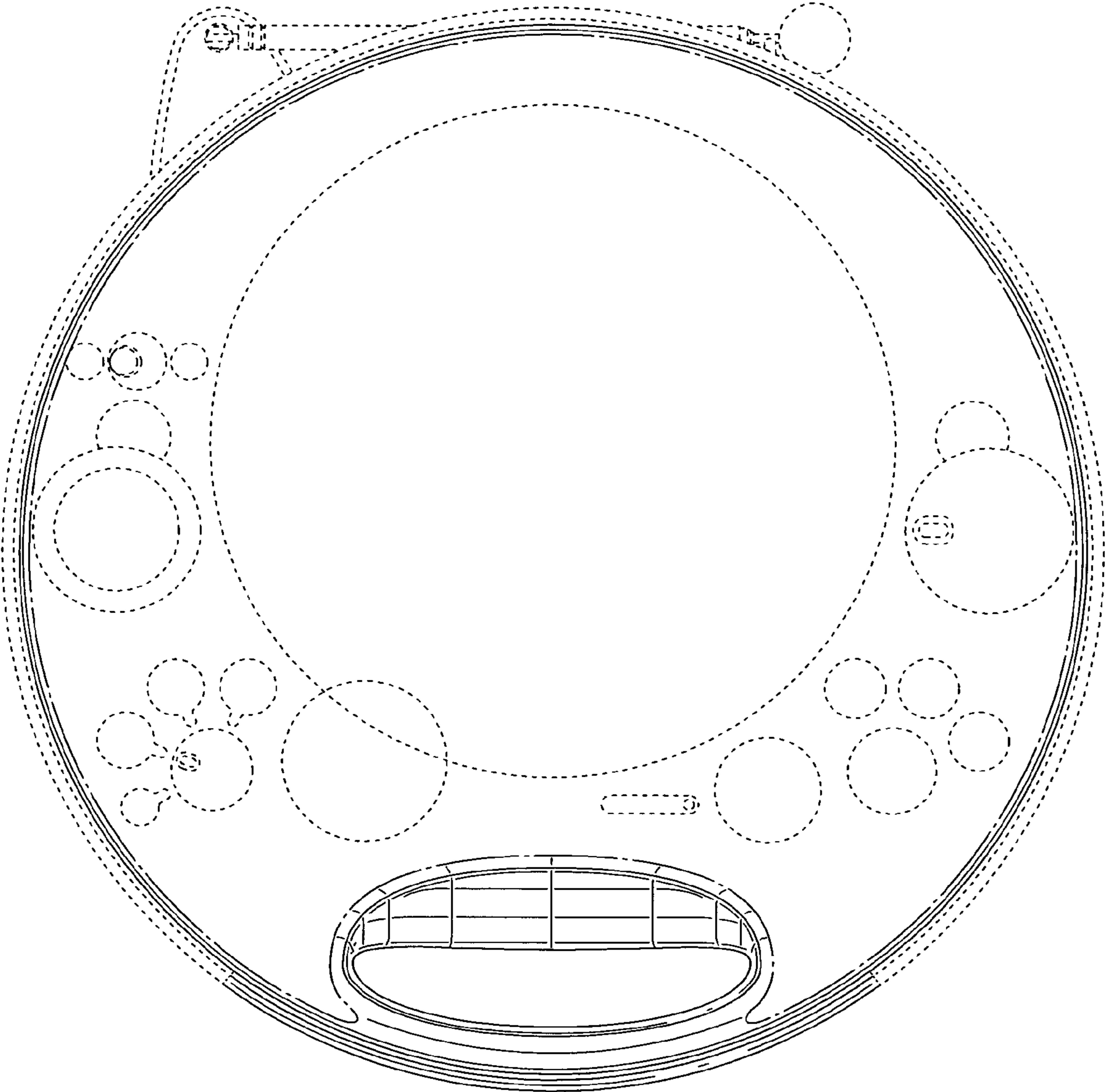


FIG.7

