



US00D619992S

(12) **United States Design Patent**
Wayman

(10) **Patent No.:** **US D619,992 S**
(45) **Date of Patent:** **** Jul. 20, 2010**

(54) **CHASSIS FOR ELECTRONIC CIRCUITRY**

7,450,382 B1 * 11/2008 Fischer et al. 361/695
7,457,123 B1 * 11/2008 Wayman 361/704
D587,359 S * 2/2009 Diaz et al. D23/318

(75) Inventor: **Michael J. Wayman**, Waconia, MN
(US)

(Continued)

(73) Assignee: **ADC Telecommunications, Inc.**, Eden
Prairie, MN (US)

FOREIGN PATENT DOCUMENTS

WO DM/050677 * 1/2000

(**) Term: **14 Years**

OTHER PUBLICATIONS

(21) Appl. No.: **29/278,368**

American Products Modular Equipment Enclosure: <URL:http://
www.amprod.us/telecom/modular-equipment-enclosure.htm>,
retrieved from internet Nov. 5, 2009.*

(22) Filed: **Mar. 27, 2007**

(51) **LOC (9) Cl.** **14-03**

(52) **U.S. Cl.** **D14/140.5**

(58) **Field of Classification Search** D14/140-140.6,
D14/142, 155, 240-243, 308-313, 358; D13/133,
D13/152, 184; 174/50, 52.1, 58; 220/3.8,
220/4.02; 312/223.1, 223.2; 340/870.02;
361/300, 600-601, 688, 704, 724, 796, 679.01,
361/722; D3/269

Primary Examiner—Robert M Spear
Assistant Examiner—Carla Jobe Wright
(74) *Attorney, Agent, or Firm*—Fogg & Powers LLC

See application file for complete search history.

(57) **CLAIM**

I claim the ornamental design for a chassis for electronic
circuitry, as shown and described.

(56) **References Cited**

DESCRIPTION

U.S. PATENT DOCUMENTS

D230,406 S * 2/1974 Hampton D13/152
D272,738 S * 2/1984 Best D14/308
D278,897 S * 5/1985 Prager et al. D14/313
D287,360 S * 12/1986 Lehmann D13/184
D338,469 S * 8/1993 Alden et al. D14/140.3
D342,485 S * 12/1993 Dean et al. D14/311
D390,235 S * 2/1998 Tucker et al. D14/240
D402,663 S * 12/1998 Fechner D14/140.6
D416,002 S * 11/1999 Tucker et al. D14/311
D441,729 S * 5/2001 Fujikura et al. D14/140.2
6,359,217 B1 * 3/2002 Thompson et al. 174/50
D462,675 S * 9/2002 Kusz et al. D14/140.6
D470,132 S * 2/2003 Smith D14/140.2
D490,805 S * 6/2004 Lee D14/312
D543,161 S * 5/2007 Stepputat D13/184

FIG. 1 is a front perspective view of a chassis for electronic
circuitry incorporating an ornamental design according to the
present invention.

FIG. 2 is a back view of the chassis of FIG. 1.

FIG. 3 is a right view of the chassis of FIG. 1.

FIG. 4 is a front view of the chassis of FIG. 1.

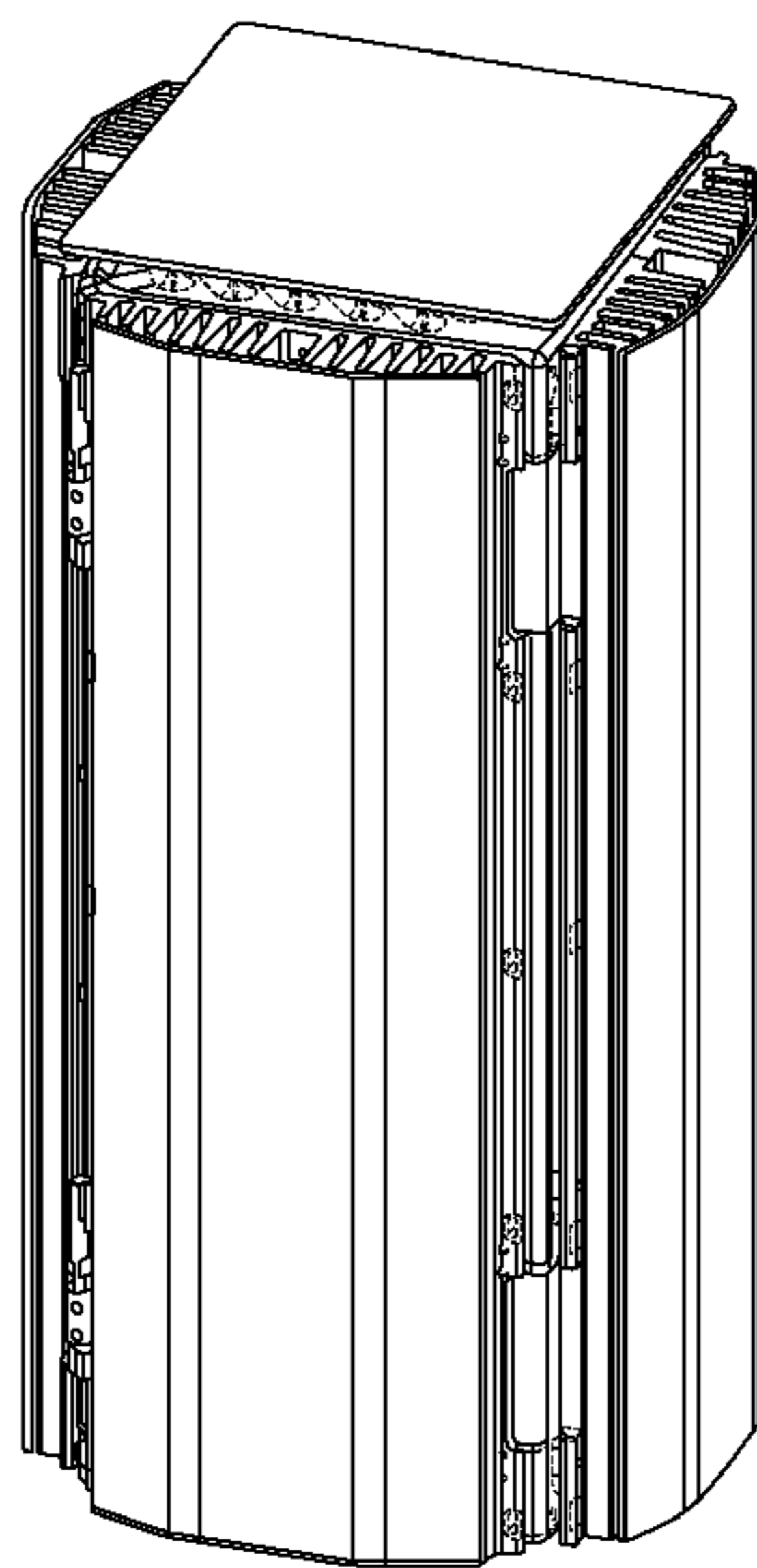
FIG. 5 is a top view of the chassis of FIG. 1.

FIG. 6 is a bottom view of the chassis of FIG. 1; and,

FIG. 7 is a left side view of the chassis of FIG. 1.

In the drawing, the broken lines depict unclaimed environ-
ment.

1 Claim, 7 Drawing Sheets



US D619,992 S

Page 2

U.S. PATENT DOCUMENTS					
		2008/0239632	A1*	10/2008	Wayman 361/600
		2009/0145622	A1*	6/2009	Weber et al. 174/50
7,518,863	B2*	4/2009	Wayman et al.	361/690
7,608,779	B2*	10/2009	Adducci et al.	174/50

* cited by examiner

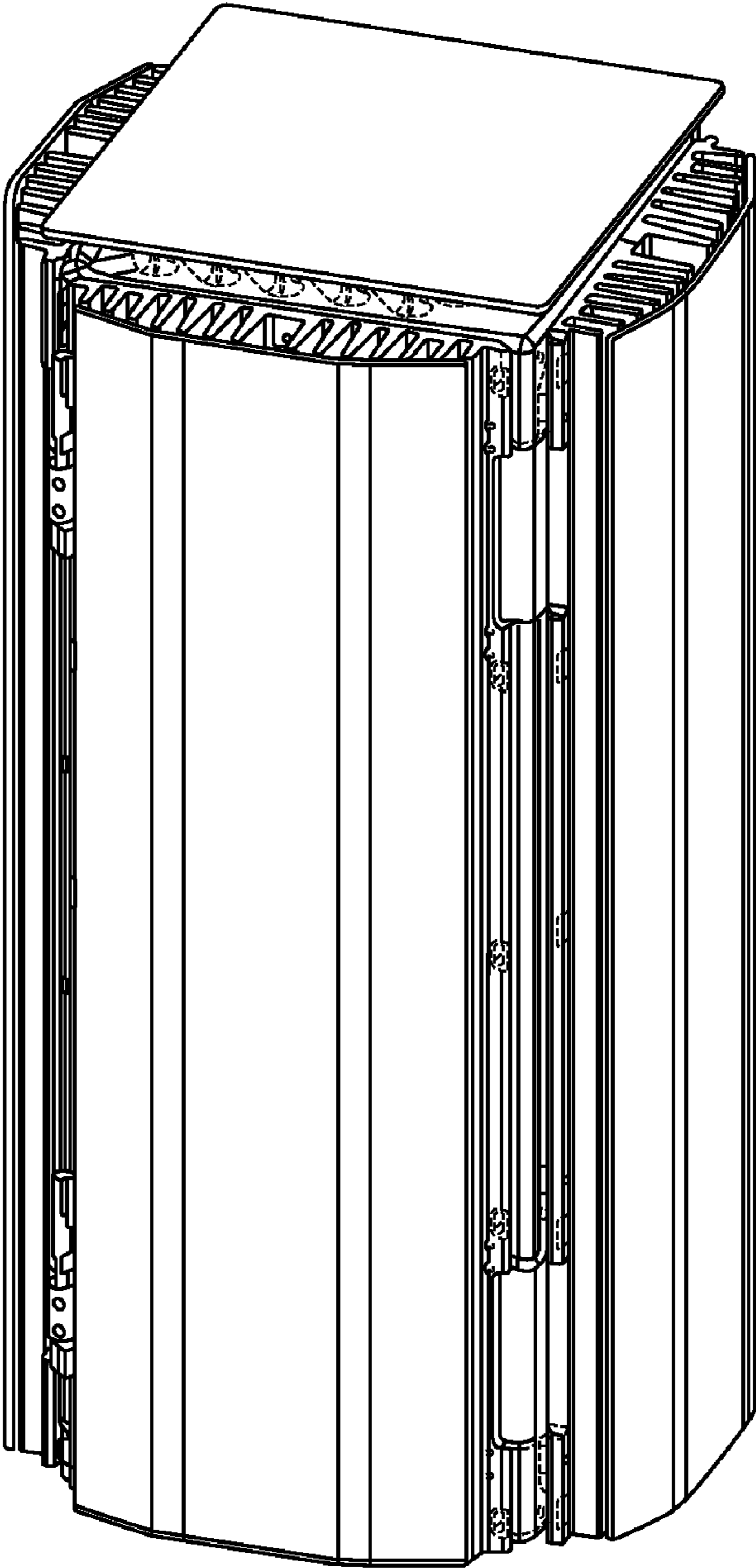


FIG. 1

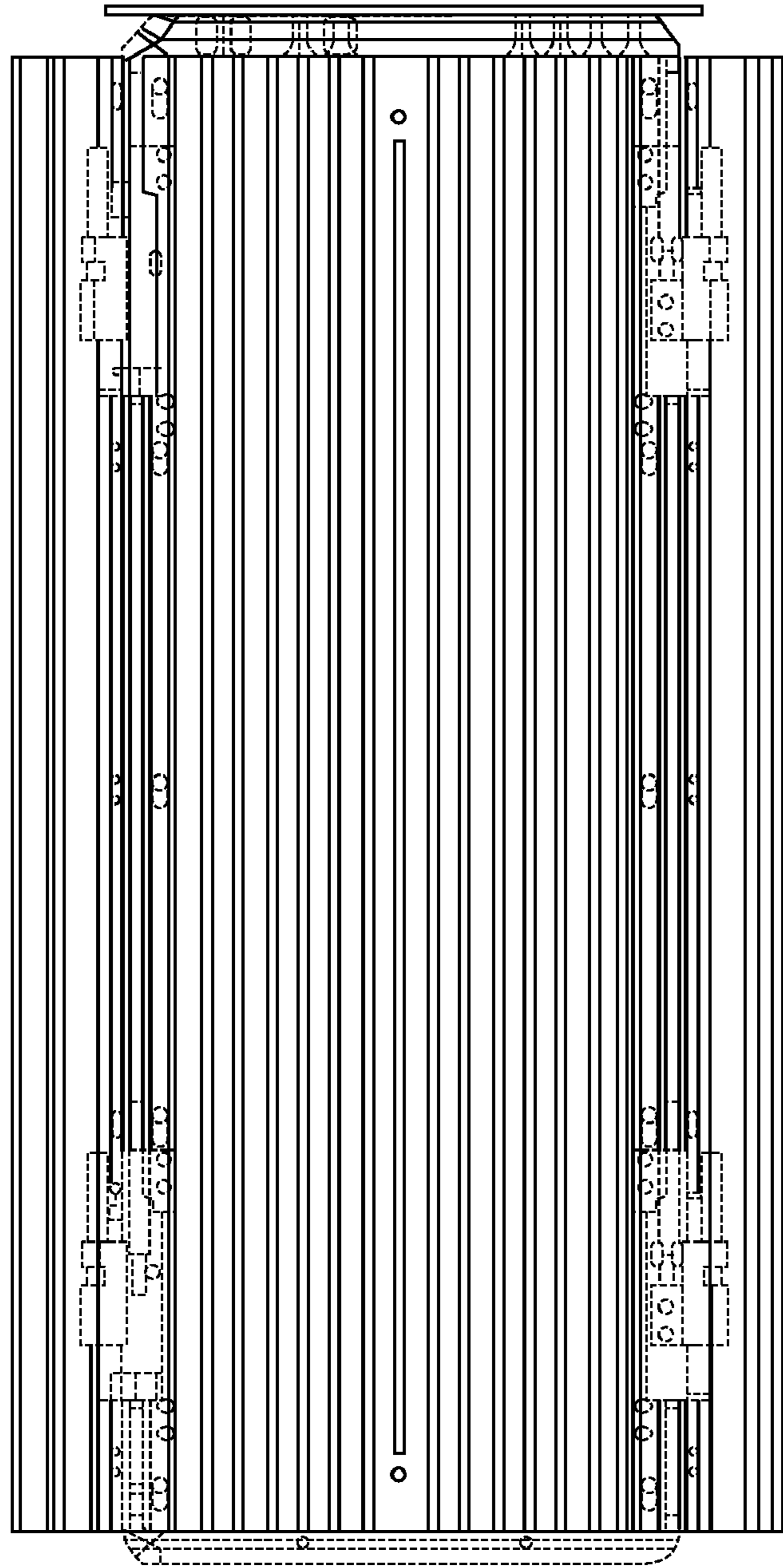


FIG. 2

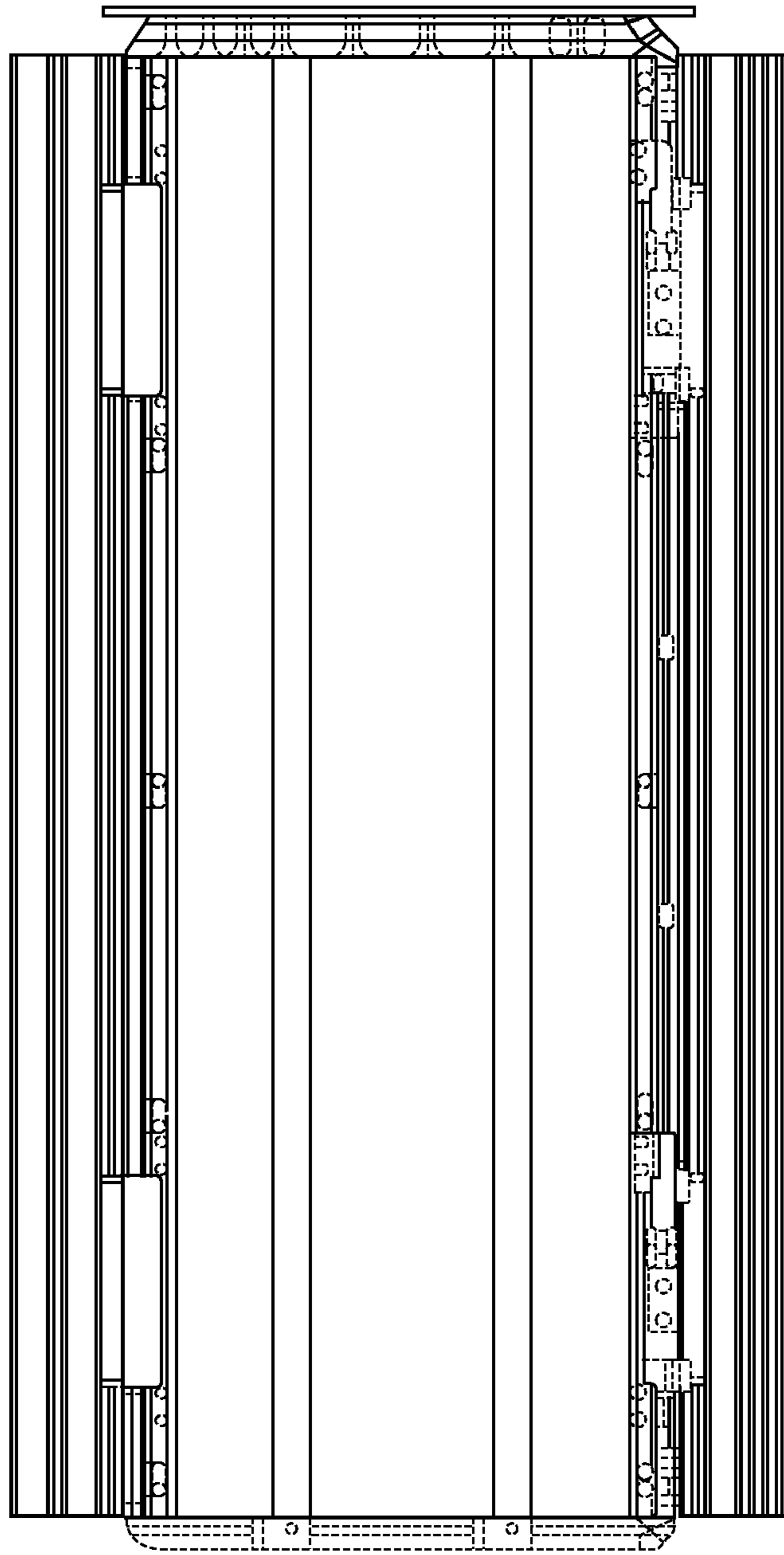


FIG. 3

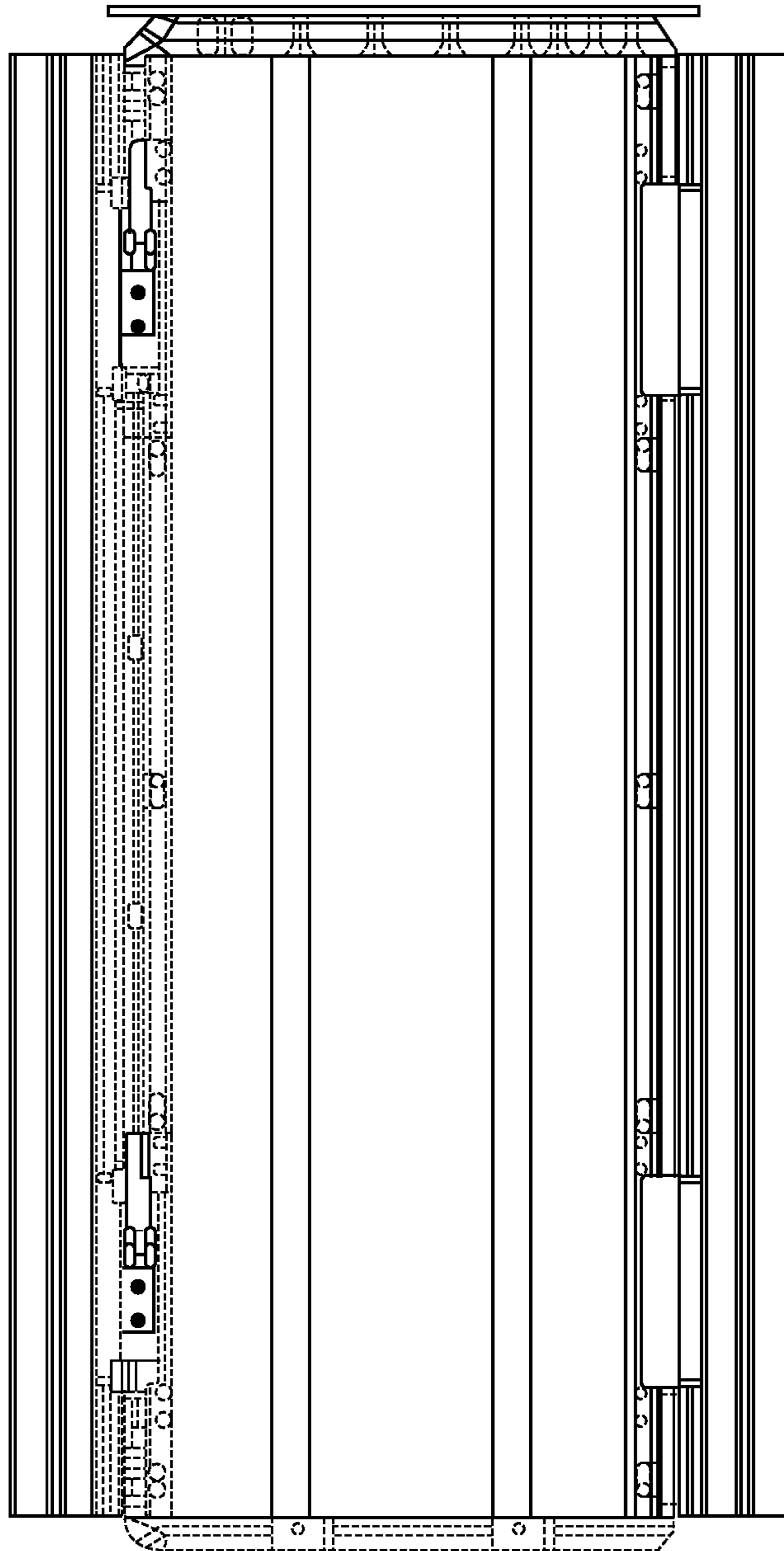


FIG. 4

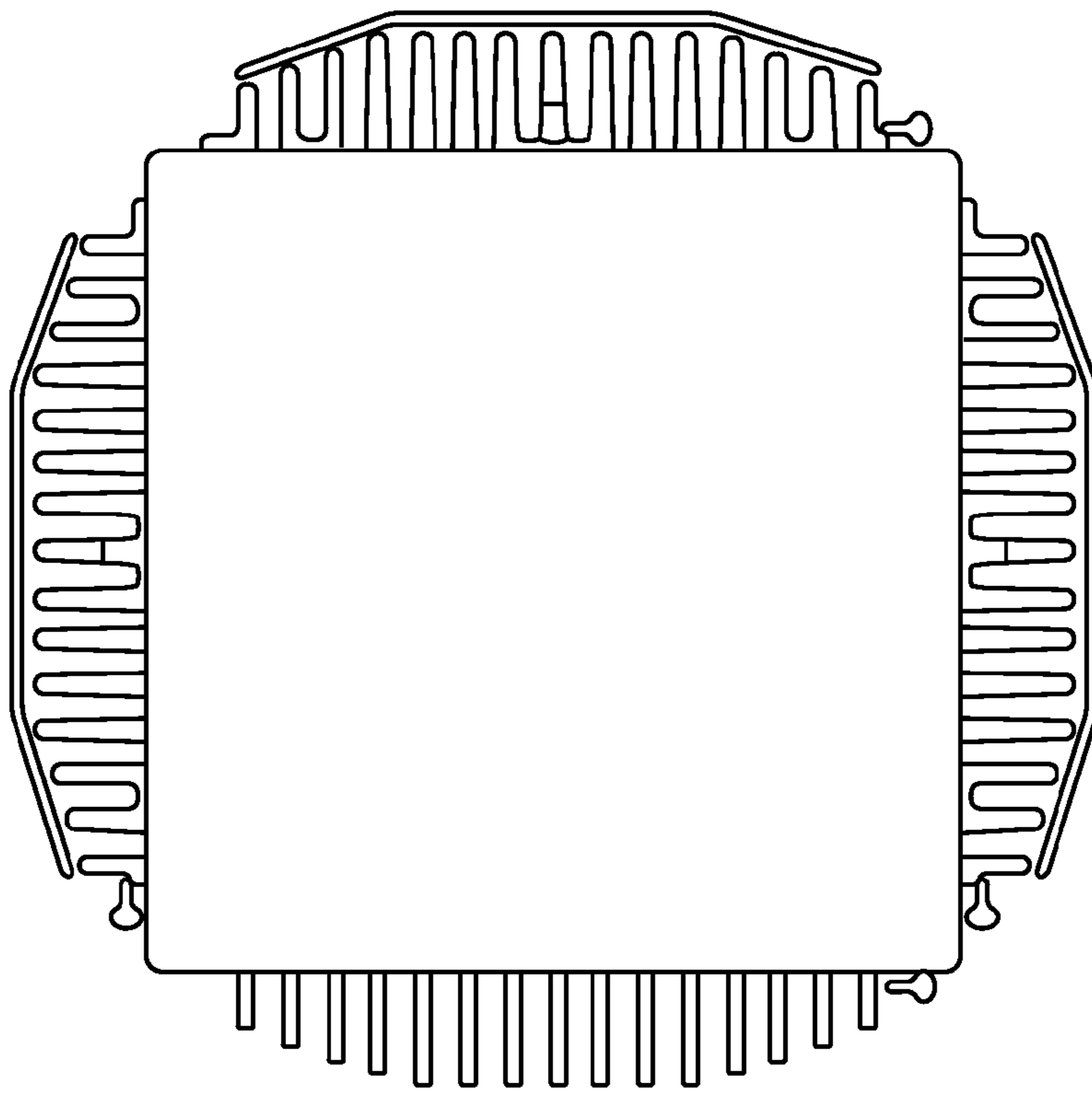


FIG. 5

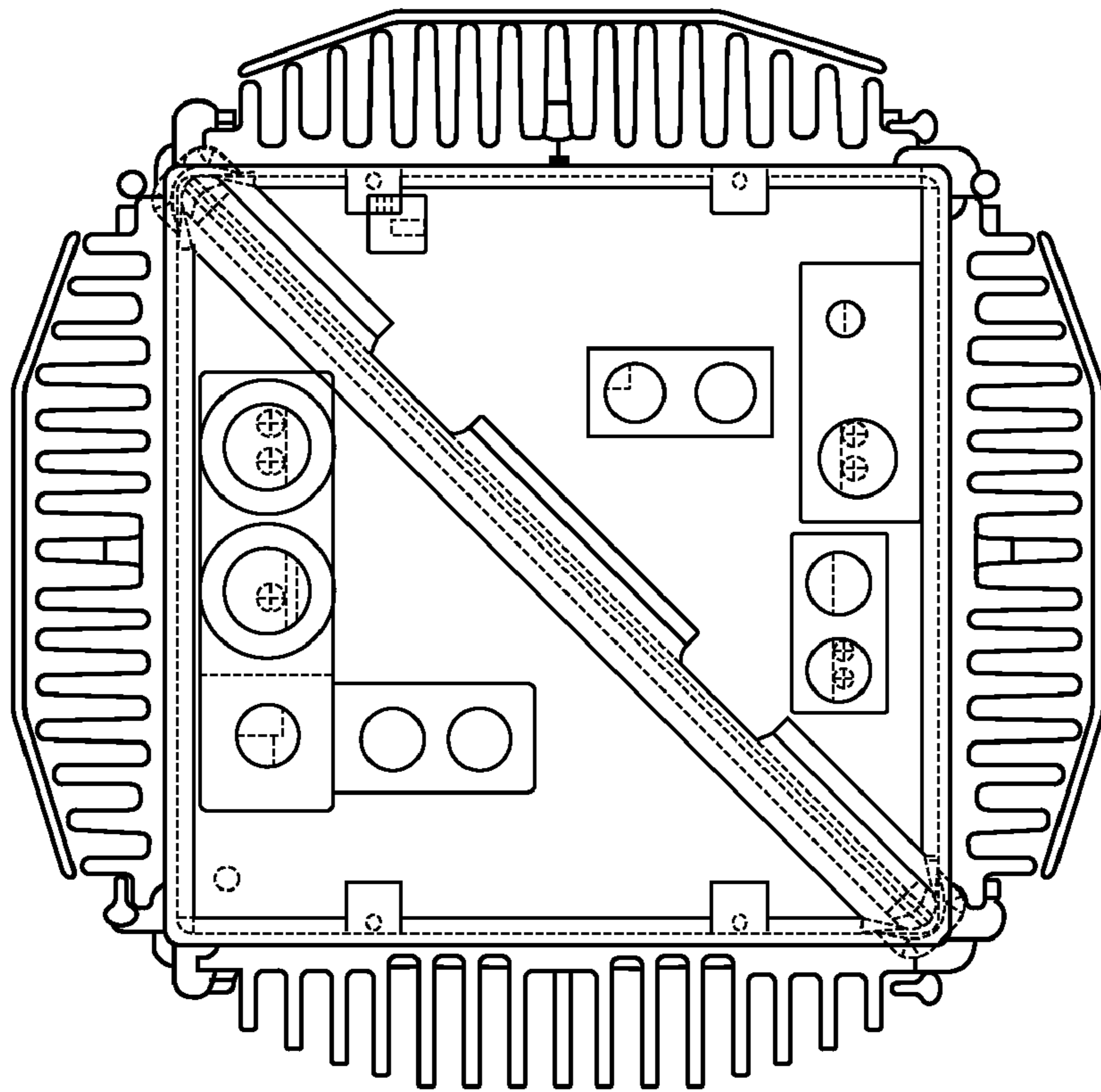


FIG. 6

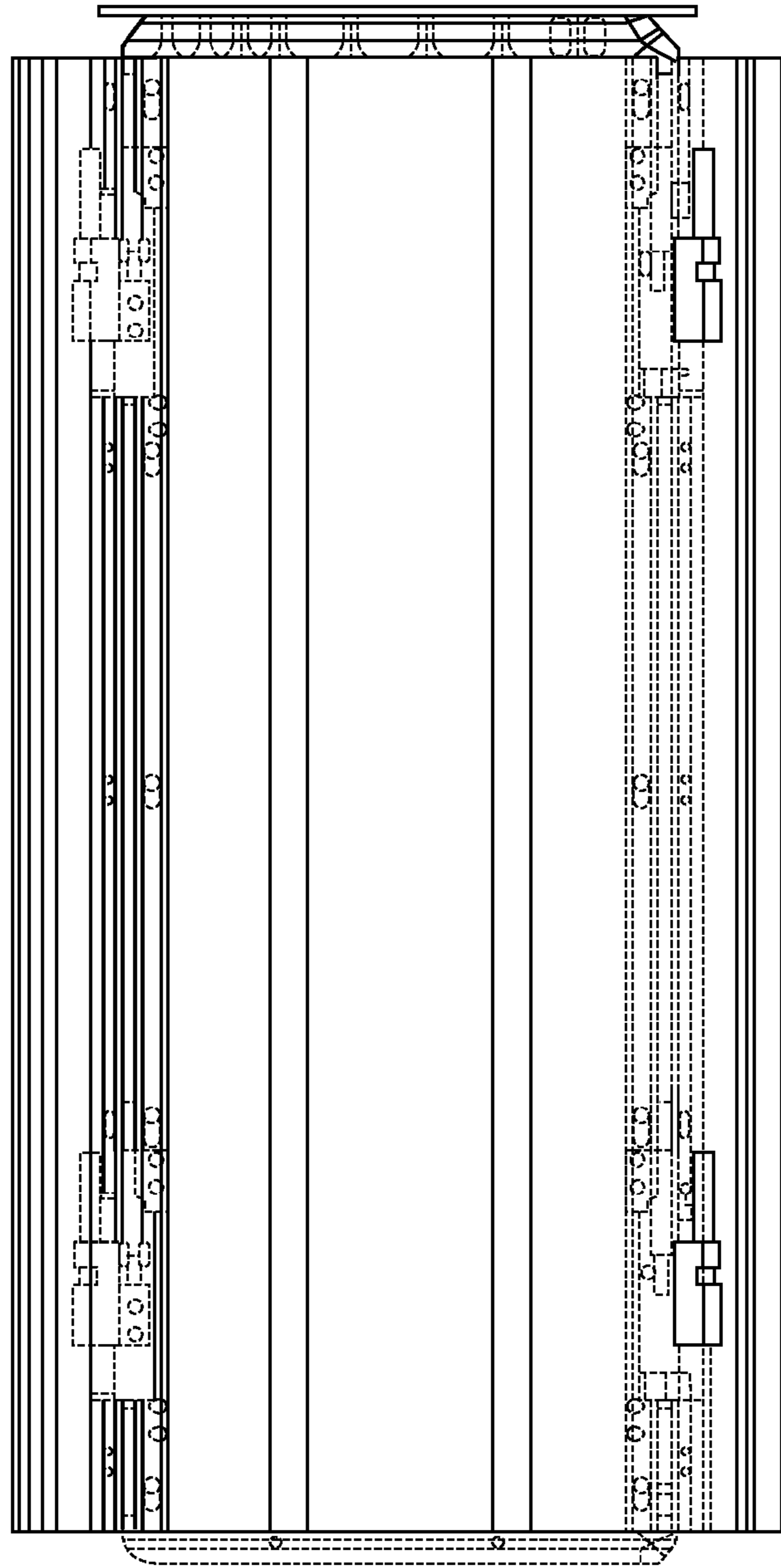


FIG. 7