



US00D619984S

(12) **United States Design Patent**
Han et al.

(10) **Patent No.:** **US D619,984 S**
(45) **Date of Patent:** **** Jul. 20, 2010**

(54) **MOBILE PHONE**

(75) Inventors: **Woo-Seung Han**, Seoul (KR);
Young-Keun Lee, Seoul (KR);
Chang-Hwan Hwang, Goyang-si (KR)

(73) Assignee: **Samsung Electronics Co., Ltd**,
Suwon-Si (KR)

(**) Term: **14 Years**

(21) Appl. No.: **29/342,483**

(22) Filed: **Aug. 26, 2009**

(30) **Foreign Application Priority Data**

May 21, 2009 (KR) 30-2009-0021835

(51) **LOC (9) Cl.** **14-03**

(52) **U.S. Cl.** **D14/138 AD**

(58) **Field of Classification Search** D14/138 R,
D14/138 AD, 138 AC, 138 C, 138 G, 191,
D14/203.1–203.8, 496, 138 AA, 138 AB,
D14/247–248, 137, 147, 218, 341–347; D10/65,
D10/78, 104; D13/168; D18/7; 455/566,
455/575.1, 575.3

See application file for complete search history.

(56) **References Cited**

U.S. PATENT DOCUMENTS

D464,961 S * 10/2002 Sogabe D14/346
D526,301 S * 8/2006 Shin D14/138 AD
D526,302 S * 8/2006 Kim D14/138 AD
D528,526 S * 9/2006 Shin D14/138 AD
D529,045 S * 9/2006 Shin D14/203.7
D543,174 S * 5/2007 Kim D14/138 AD
D543,176 S * 5/2007 Hyun et al. D14/138 G
D548,213 S * 8/2007 Lee et al. D14/138 AC

D548,713 S * 8/2007 Lee et al. D14/138 AD
D552,580 S * 10/2007 Mun D14/138 AD
D555,134 S * 11/2007 Sung et al. D14/138 AC
D556,165 S * 11/2007 Kim et al. D14/138 G
D558,720 S * 1/2008 Lee et al. D14/138 AD

(Continued)

OTHER PUBLICATIONS

HTC P3600i, announced Aug. 2007, [online], [retrieved on Dec. 13, 2007]. Retrieved from Internet ,<URL: <http://www.gsmarena.com>>.*

(Continued)

Primary Examiner—Jeffrey D Asch
Assistant Examiner—Bridget L Eland
(74) *Attorney, Agent, or Firm*—Staas & Halsey LLP

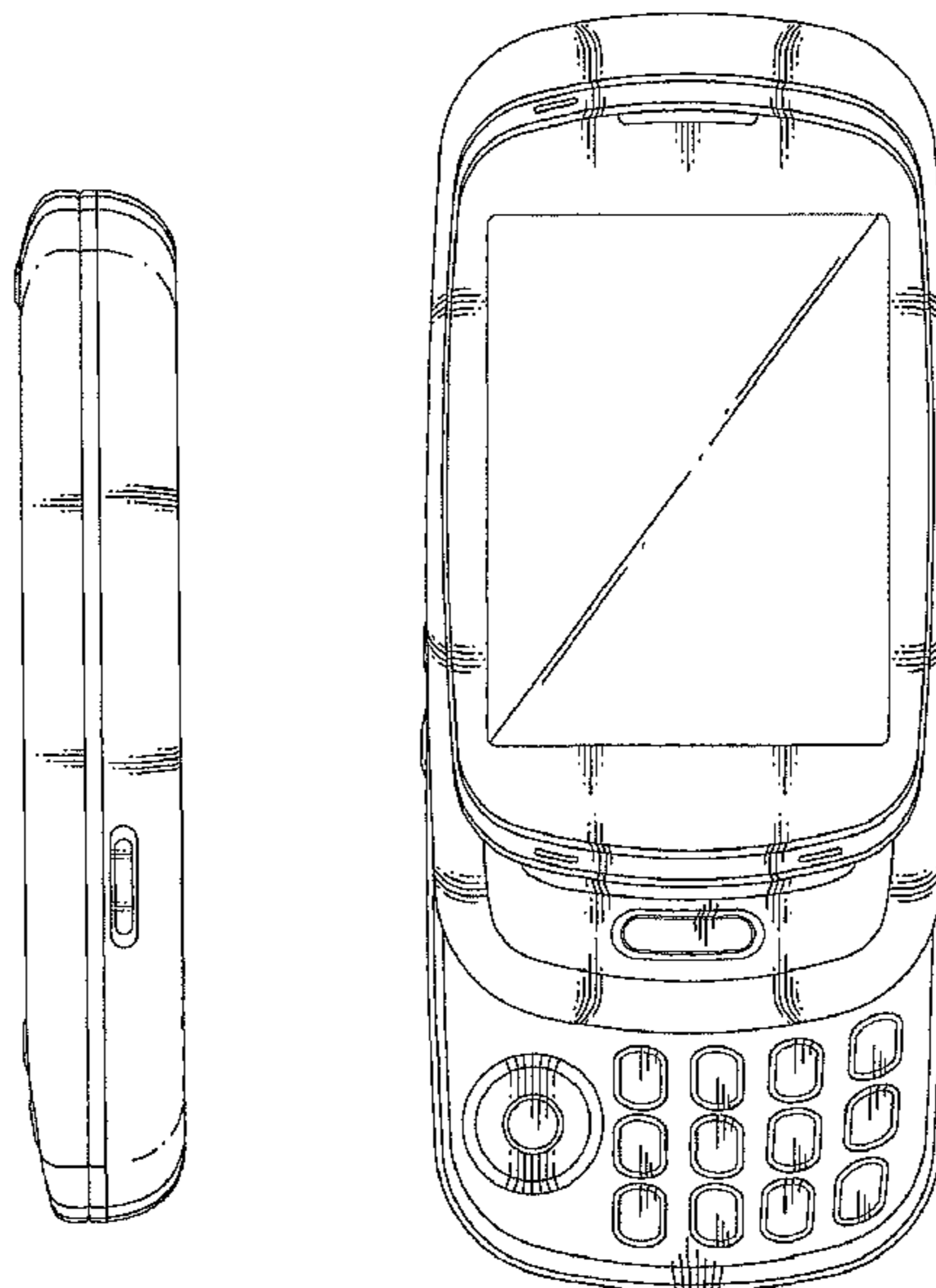
(57) **CLAIM**

The ornamental design for a mobile phone, as shown and described.

DESCRIPTION

FIG. 1 is a front perspective view of a mobile phone;
FIG. 2 is a front view of the mobile phone of FIG. 1;
FIG. 3 is a rear view of the mobile phone of FIG. 1;
FIG. 4 is a left-side view of the mobile phone of FIG. 1;
FIG. 5 is a right-side view of the mobile phone of FIG. 1;
FIG. 6 is a top plan view of the mobile phone of FIG. 1; and
FIG. 7 is a bottom plan view of the mobile phone of FIG. 1;
FIG. 8 is a front open view of the mobile phone of FIG. 1; and,
FIG. 9 is another front open view of the mobile phone of FIG. 1.

1 Claim, 6 Drawing Sheets



U.S. PATENT DOCUMENTS

D565,533 S * 4/2008 Kim et al. D14/138 AD
D580,396 S * 11/2008 Kang D14/138 G
D580,929 S * 11/2008 Kao et al. D14/346
D592,167 S * 5/2009 Park et al. D14/138 AD
D594,358 S * 6/2009 Lammers-Meis et al. D10/65
D601,993 S * 10/2009 Yun et al. D14/138 AD
2003/0125094 A1 * 7/2003 Hyun et al. 455/566
2003/0234768 A1 * 12/2003 Rekimoto et al. 345/169
2004/0259592 A1 * 12/2004 Taneya et al. 455/556.1
2007/0265031 A1 * 11/2007 Koizumi et al. 455/556.1
2008/0076480 A1 * 3/2008 Jeong et al. 455/566
2008/0119236 A1 * 5/2008 Chen et al. 455/566
2008/0132288 A1 * 6/2008 Misawa 455/566

OTHER PUBLICATIONS

LG GT505, announced Jun. 2009, [online], [retrieved on Jun. 12, 2009]. Retrieved from Internet ,<URL: <http://www.gsmarena.com>>.*

O2 XDA IIs, announced 4th quarter 2004, [online], [retrieved on Feb. 20, 2007]. Retrieved from Internet ,<URL: <http://www.gsmarena.com>>.*

Samsung T749 Highlight, announced Jun. 2009, [online], [retrieved on Jul. 20, 2009]. Retrieved from Internet ,<URL: <http://www.gsmarena.com>>.*

Samsung B7620 Giorgio Armani, announced Oct. 2009, [online], [retrieved on Oct. 28, 2009]. Retrieved from Internet ,<URL: <http://www.gsmarena.com>>.*

Samsung S7550 Blue Earth, announced Sep. 2009, [online], [retrieved on Sep. 14, 2009]. Retrieved from Internet ,<URL: <http://www.gsmarena.com>>.*

Samsung A887 Solsitce, announced Jul. 2009, [online], [retrieved on Aug. 6, 2009]. Retrieved from Internet ,<URL: <http://www.gsmarena.com>>.*

* cited by examiner

FIG. 1

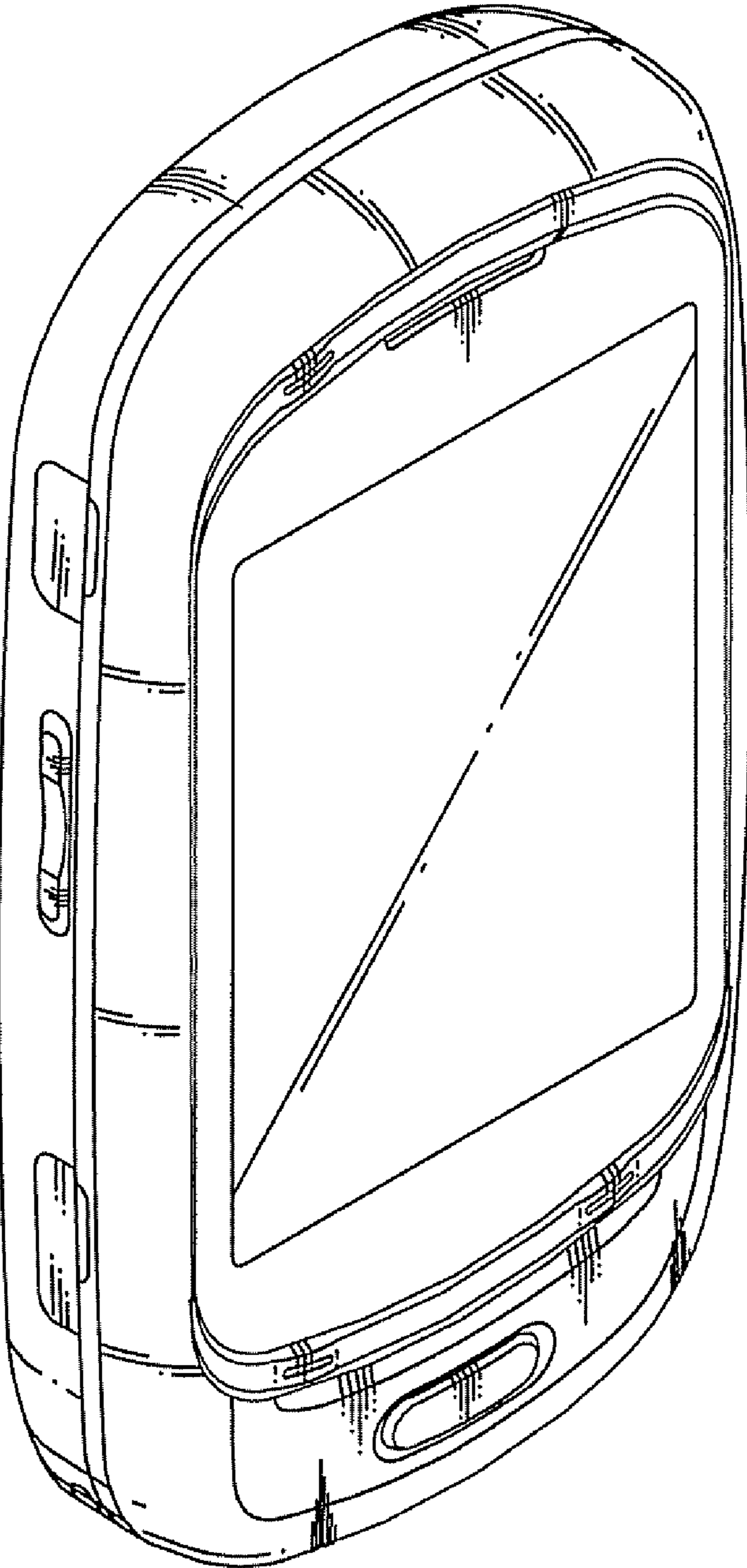


FIG.2

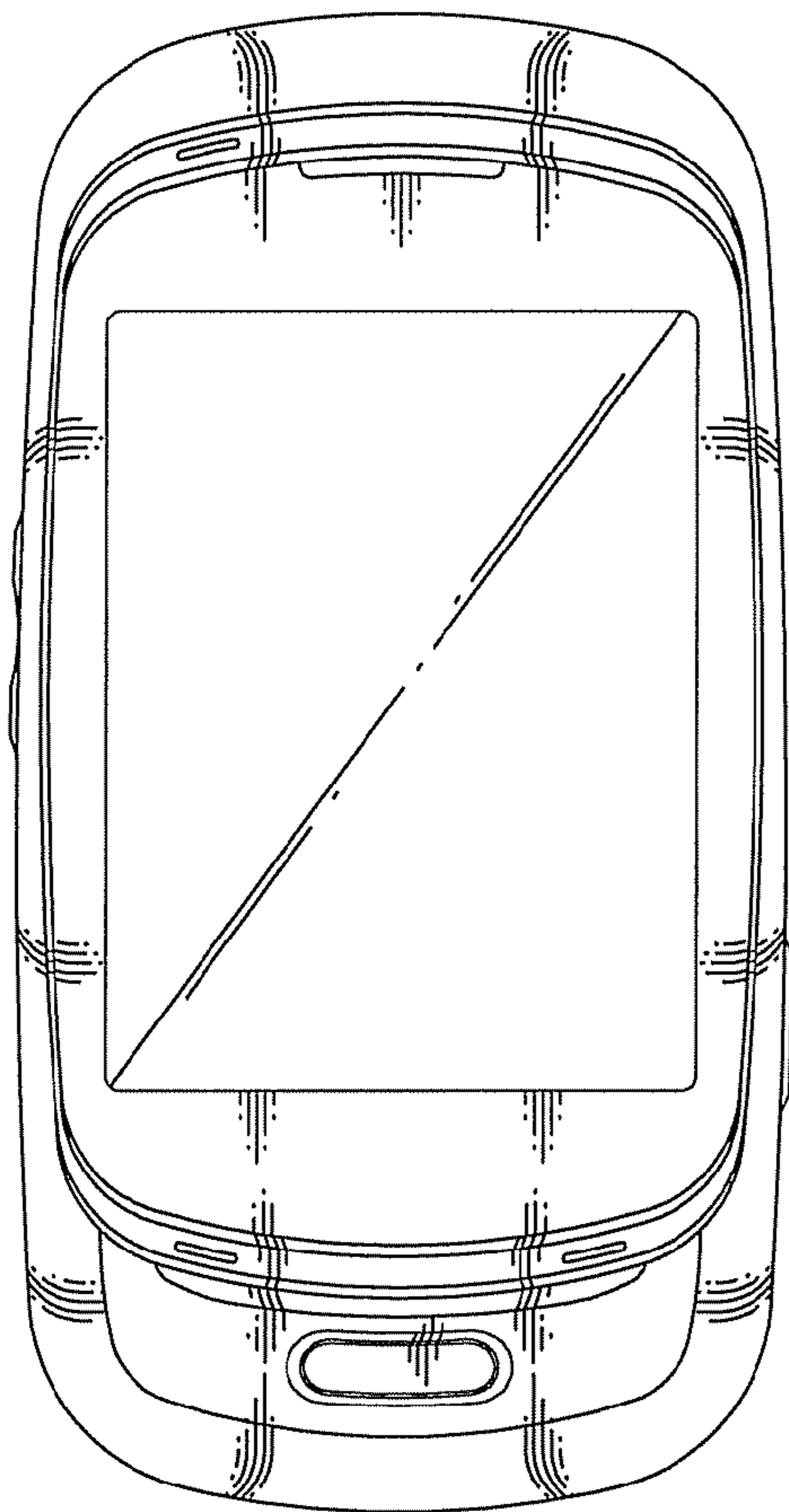


FIG.3

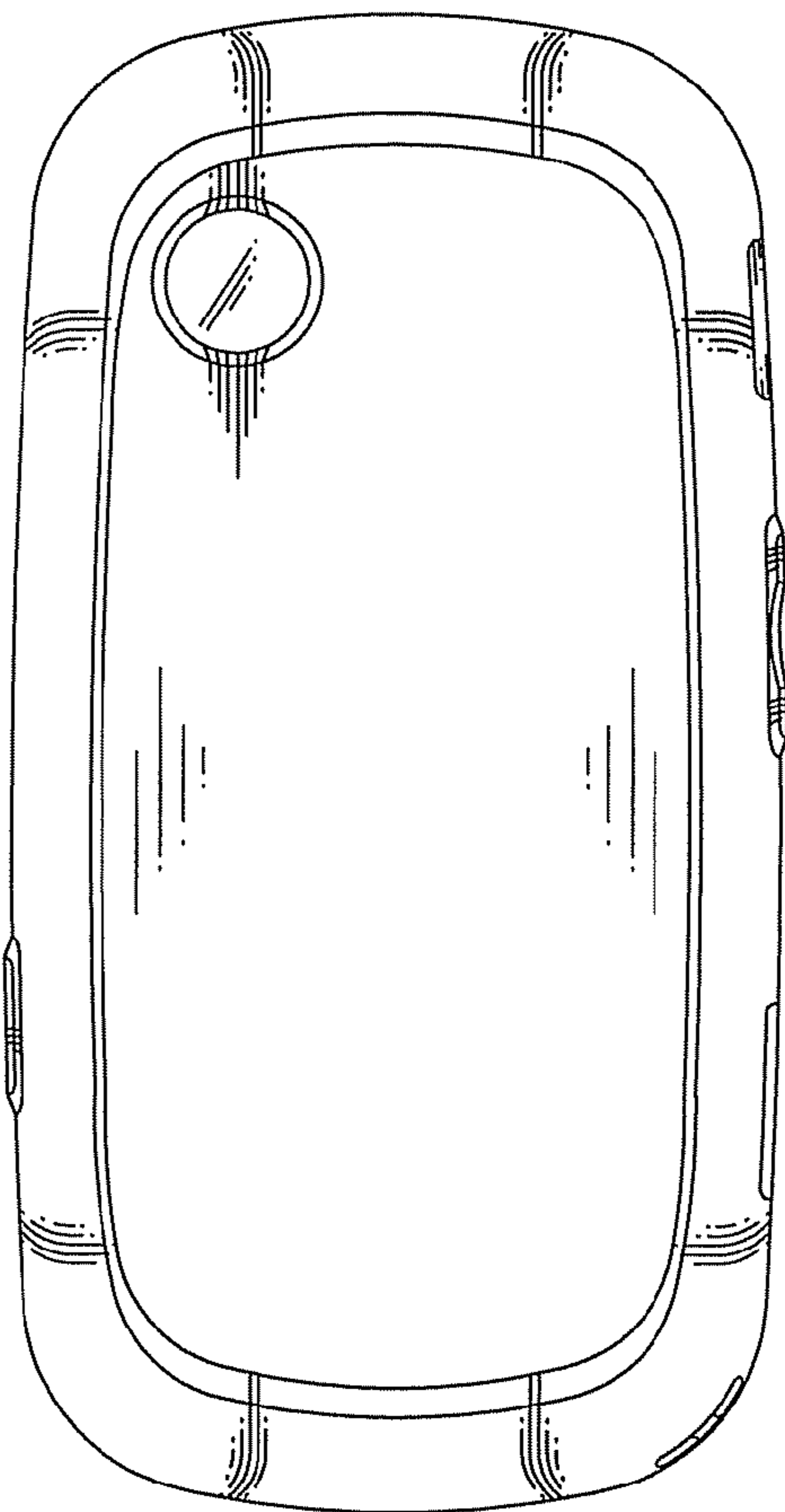


FIG.4

FIG.5

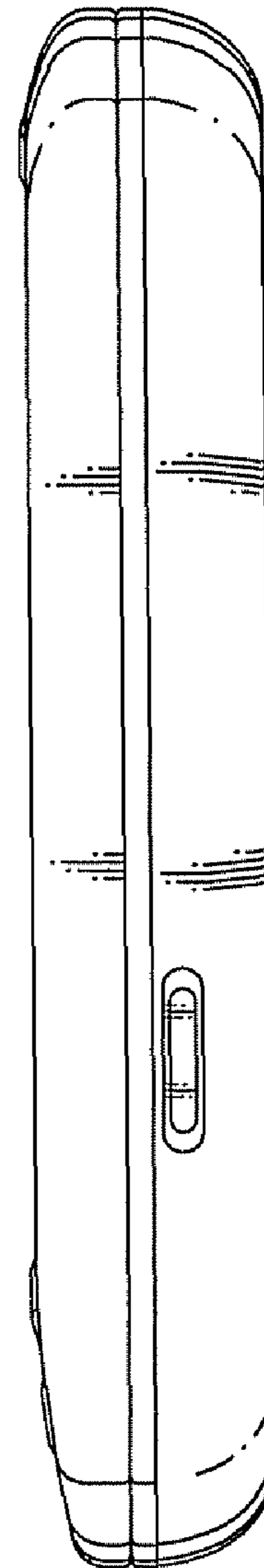
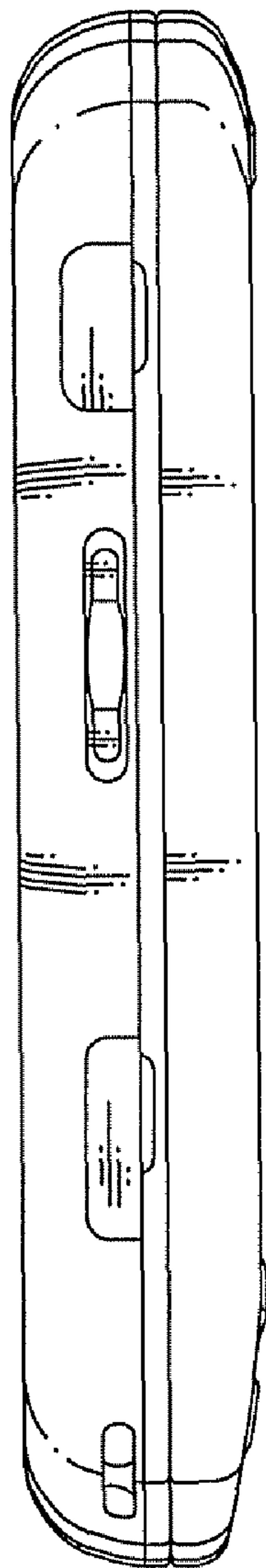


FIG.6

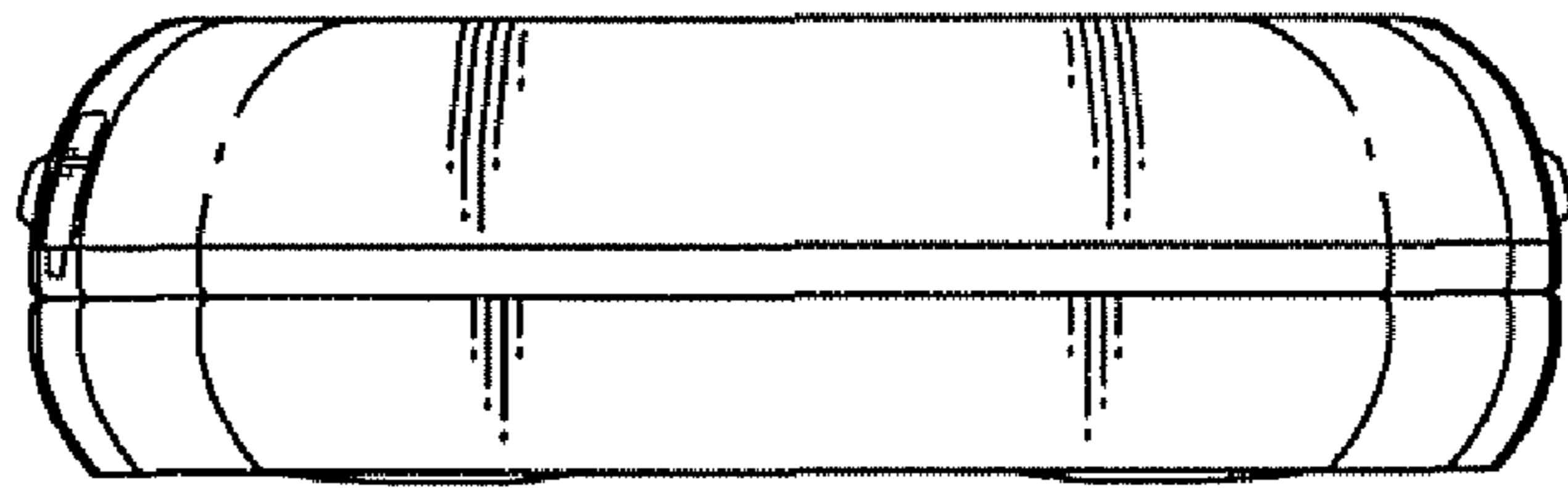


FIG.7

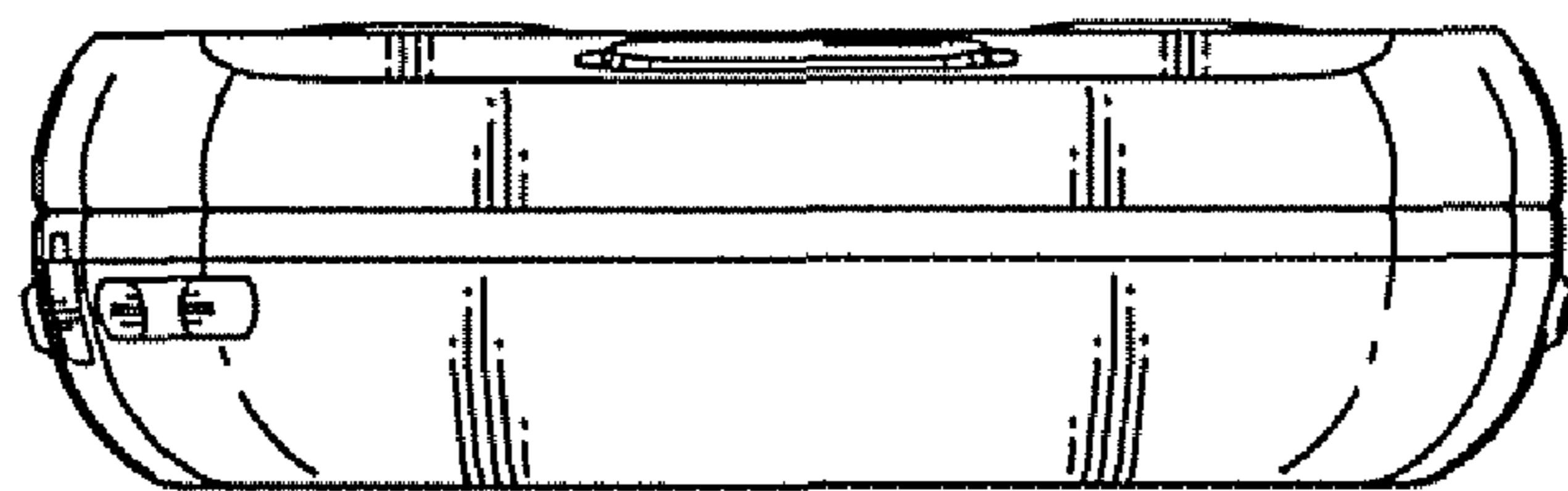


FIG. 8

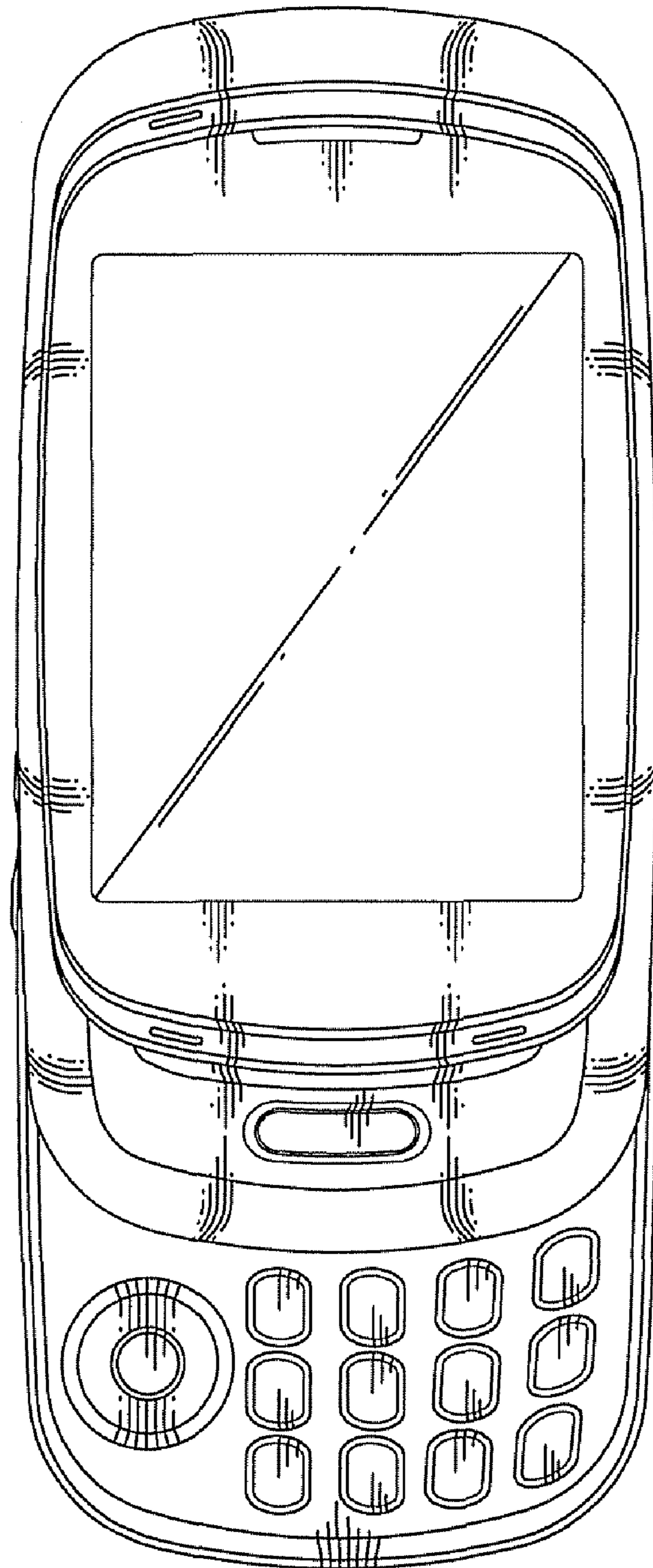


FIG. 9

