



US00D619972S

(12) **United States Design Patent**
Felegy, Jr. et al.

(10) **Patent No.:** **US D619,972 S**
(45) **Date of Patent:** **** Jul. 20, 2010**

(54) **TABLETOP REMOTE LOAD CONTROL DEVICE**

D559,198 S 1/2008 Blair et al.
D592,606 S 5/2009 Felegy, Jr. et al.
D592,607 S 5/2009 Felegy, Jr. et al.
D592,608 S 5/2009 Felegy, Jr. et al.
D592,609 S 5/2009 Felegy, Jr. et al.
D592,611 S 5/2009 Altonen et al.

(75) Inventors: **Edward M. Felegy, Jr.**, Macungie, PA (US); **David William Petrillo**, Bethlehem, PA (US); **Gregory M. Snyder**, Germansville, PA (US); **Gregory Altonen**, Easton, PA (US); **Elliot G. Jacoby**, Glenside, PA (US); **Noel Mayo**, Philadelphia, PA (US)

(Continued)

OTHER PUBLICATIONS

(73) Assignee: **Lutron Electronics Co., Inc.**, Coopersburg, PA (US)

U.S. Appl. No. 29/352,417, filed Dec. 21, 2009, Felegy, Jr. et al.

(Continued)

(**) Term: **14 Years**

Primary Examiner—Selina Sikder

(21) Appl. No.: **29/352,424**

(74) *Attorney, Agent, or Firm*—Mark E. Rose; Philip N. Smith; Bridget L. McDonough

(22) Filed: **Dec. 21, 2009**

(57) **CLAIM**

(51) **LOC (9) Cl.** **14-03**

We claim the ornamental design for a tabletop remote load control device, as shown and described.

(52) **U.S. Cl.** **D13/168**

(58) **Field of Classification Search** D13/168;
D10/104, 106; D14/218, 247; 340/825.22,
340/825.24, 825.25, 825.31, 825.36, 825.69,
340/825.72; 341/76; 455/352

DESCRIPTION

See application file for complete search history.

FIG. 1 is a perspective view of a tabletop remote load control device according to a first embodiment of our new design.

FIG. 2 is a front view thereof.

FIG. 3 is a left side view thereof.

FIG. 4 is a right side view thereof.

FIG. 5 is a top view thereof.

FIG. 6 is a bottom view thereof.

FIG. 7 is a perspective view of a tabletop remote load control device according to a second embodiment of our new design.

FIG. 8 is a front view thereof; and,

FIG. 9 is a bottom view thereof, the left side, right side, and top views, respectively, of the second embodiment being identical to the left side, right side, and top views of the first embodiment.

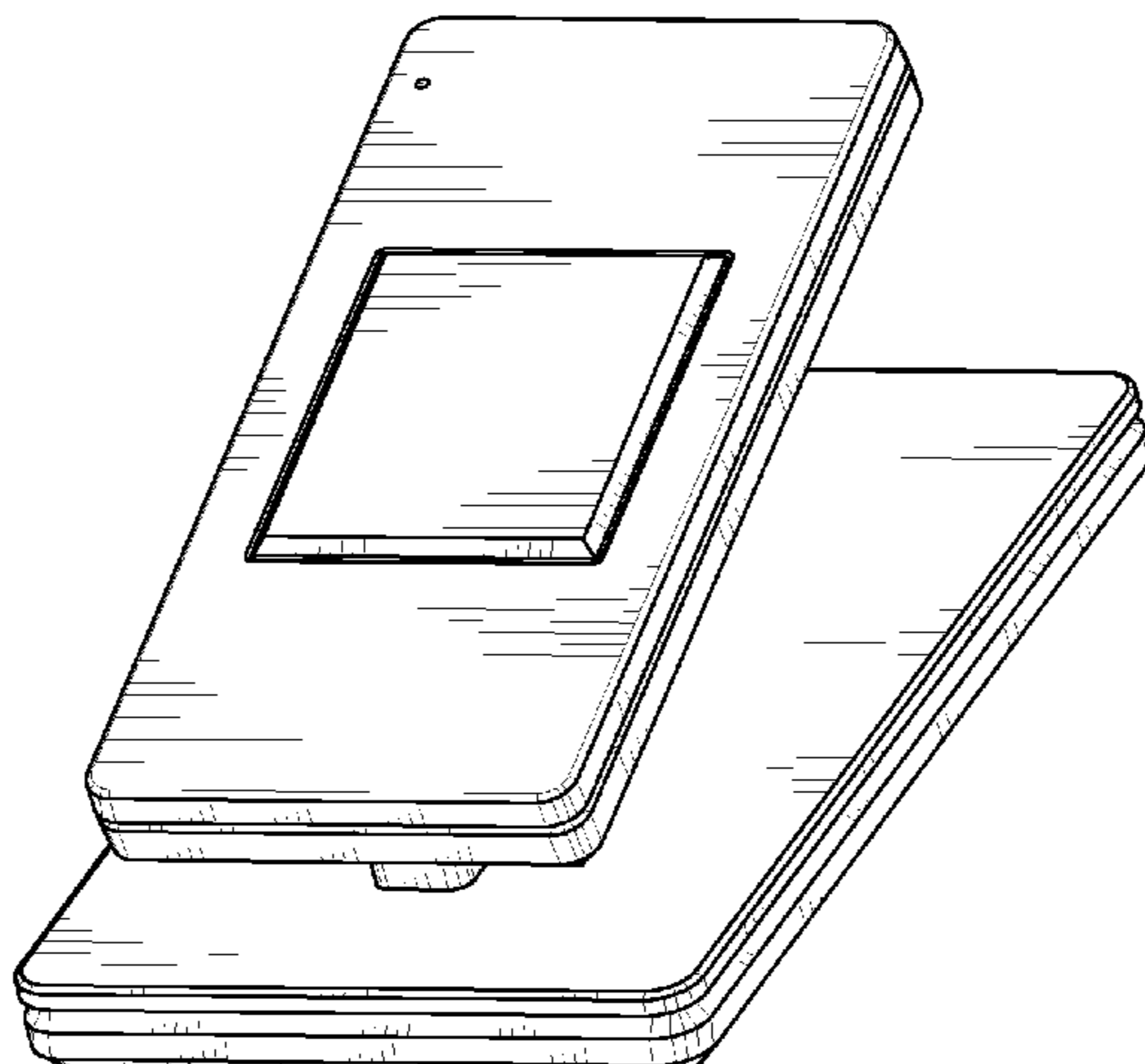
The rear views form no part of the design and are omitted.

(56) **References Cited**

U.S. PATENT DOCUMENTS

D313,973 S	1/1991	Walker
D353,798 S	12/1994	Bryde et al.
D391,878 S	3/1998	Alleyne
D391,924 S	3/1998	Mayo et al.
D397,996 S	9/1998	Smith
D437,585 S	2/2001	Mayo et al.
D439,220 S	3/2001	Mayo et al.
D450,043 S	11/2001	Mosebrook
D464,635 S	10/2002	Oyama, Jr. et al.
D526,969 S	8/2006	Spira
D541,755 S	5/2007	Spira
D546,280 S	7/2007	Marchetto et al.
D553,123 S	10/2007	Solland
D554,107 S	10/2007	Calco et al.
D557,259 S	12/2007	Hirsch

1 Claim, 7 Drawing Sheets



U.S. PATENT DOCUMENTS

D596,143 S 7/2009 Felegy, Jr. et al.
D604,702 S 11/2009 Felegy, Jr. et al.
D606,030 S 12/2009 Felegy, Jr. et al.
D614,146 S 4/2010 Felegy, Jr. et al.
D614,147 S * 4/2010 Snyder et al. D13/168
D614,589 S 4/2010 Altonen et al.
D615,046 S * 5/2010 Felegy et al. D13/168
2008/0218099 A1* 9/2008 Newman 315/268

OTHER PUBLICATIONS

U.S. Appl. No. 29/352,419, filed Dec. 21, 2009, Felegy, Jr. et al.
Lutron Electronics Co., Inc., see Touch 1-Button Wallstation Specification Submittal Sheet, Jul. 2005, 5 pages.

Lutron Electronics Co., Inc., Switching Systems Technical Guide, Aug. 2004, pp. front cover, 23, rear cover.

Vantage Controls Inc., Vantage Online Binder, 2004, pp. 1, 3-4, 7, 33-34, 113.

Lutron Electronics Co., Inc., RadioRA Visor Control Transmitter Specification Submittal Sheet, Jan. 2002, 2 pages.

Lutron Electronics Co., Inc., RadioRA Visor Control Transmitter Installation Instruction Sheet, Nov. 2001, 2 pages.

Lutron Electronics Co., Inc., Aurora Wireless Lighting Control Brochure, Nov. 2006, 2 pages.

Lutron Electronics Co., Inc., Maestro Wireless Remote Lighting Control Brochure, Sep. 2007, 2 pages.

* cited by examiner

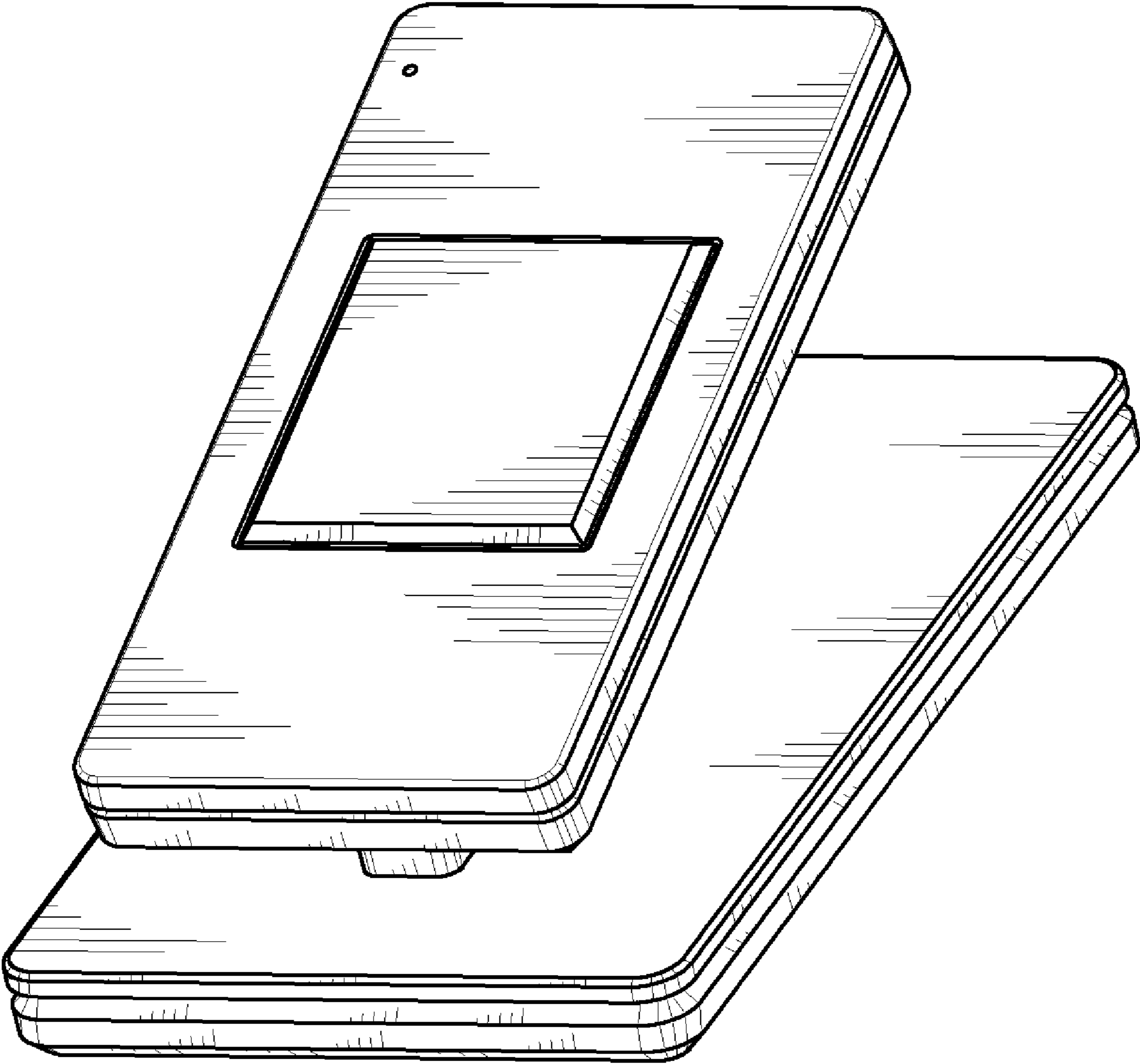


Fig. 1

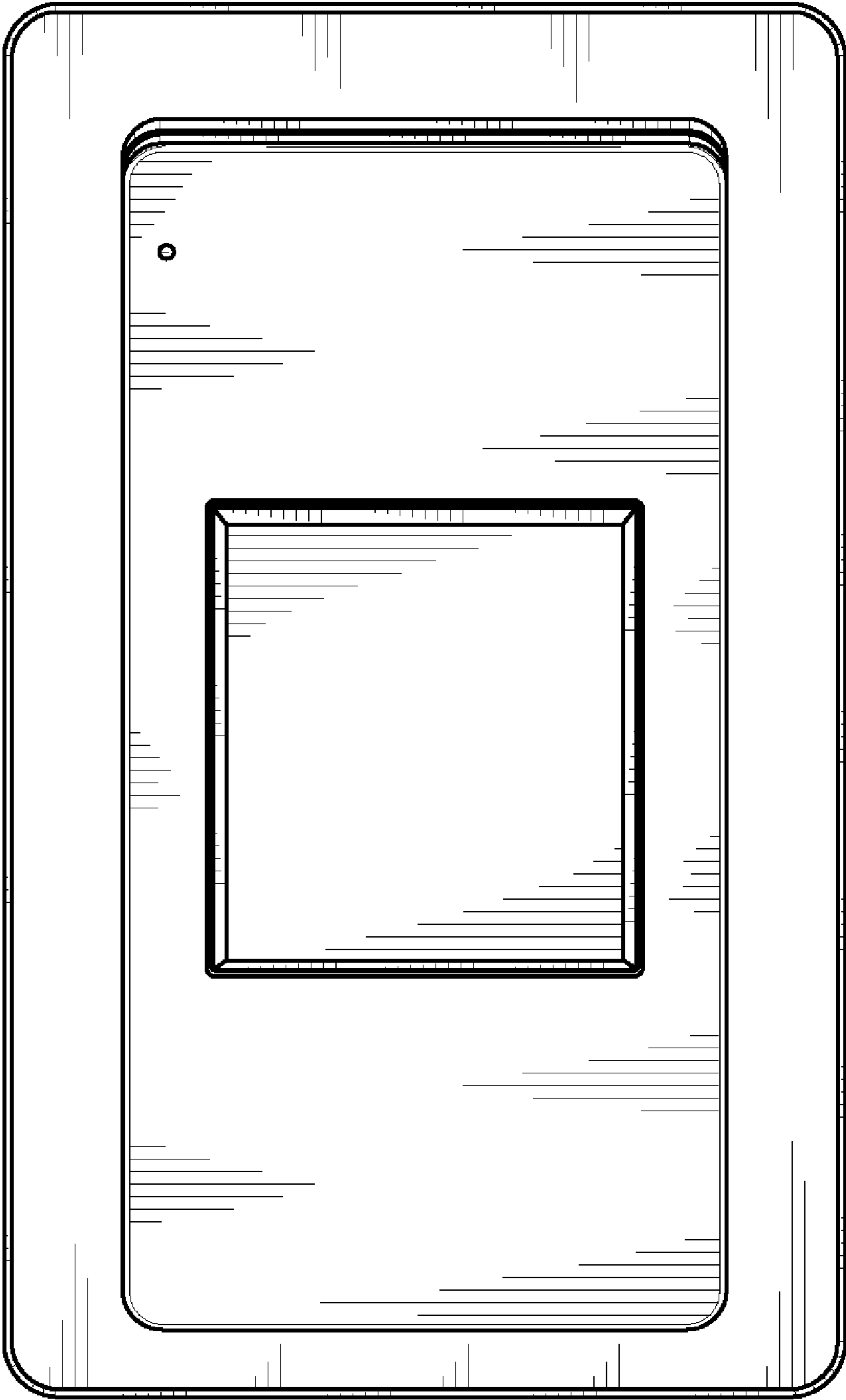


Fig. 2

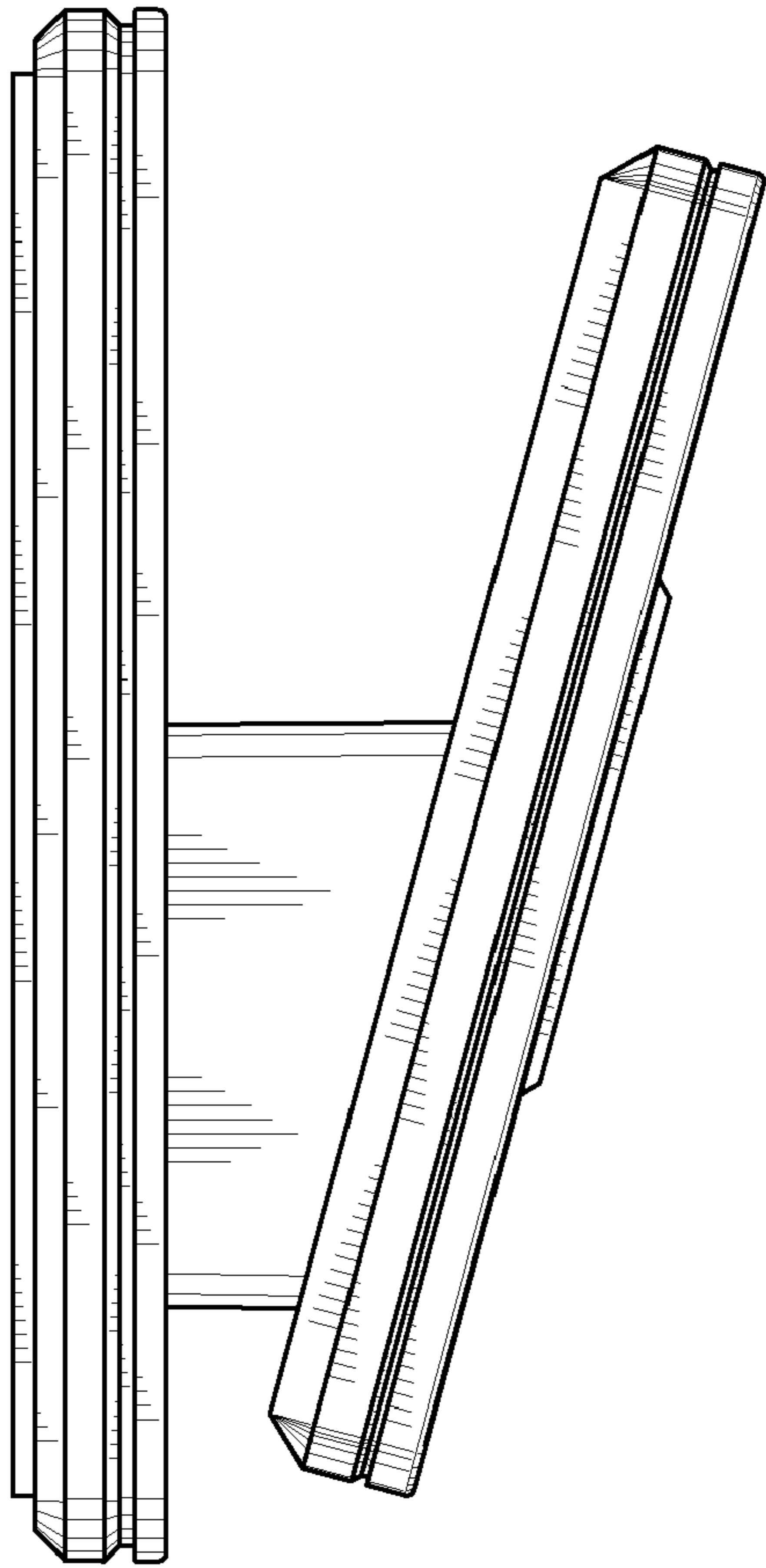


Fig. 3

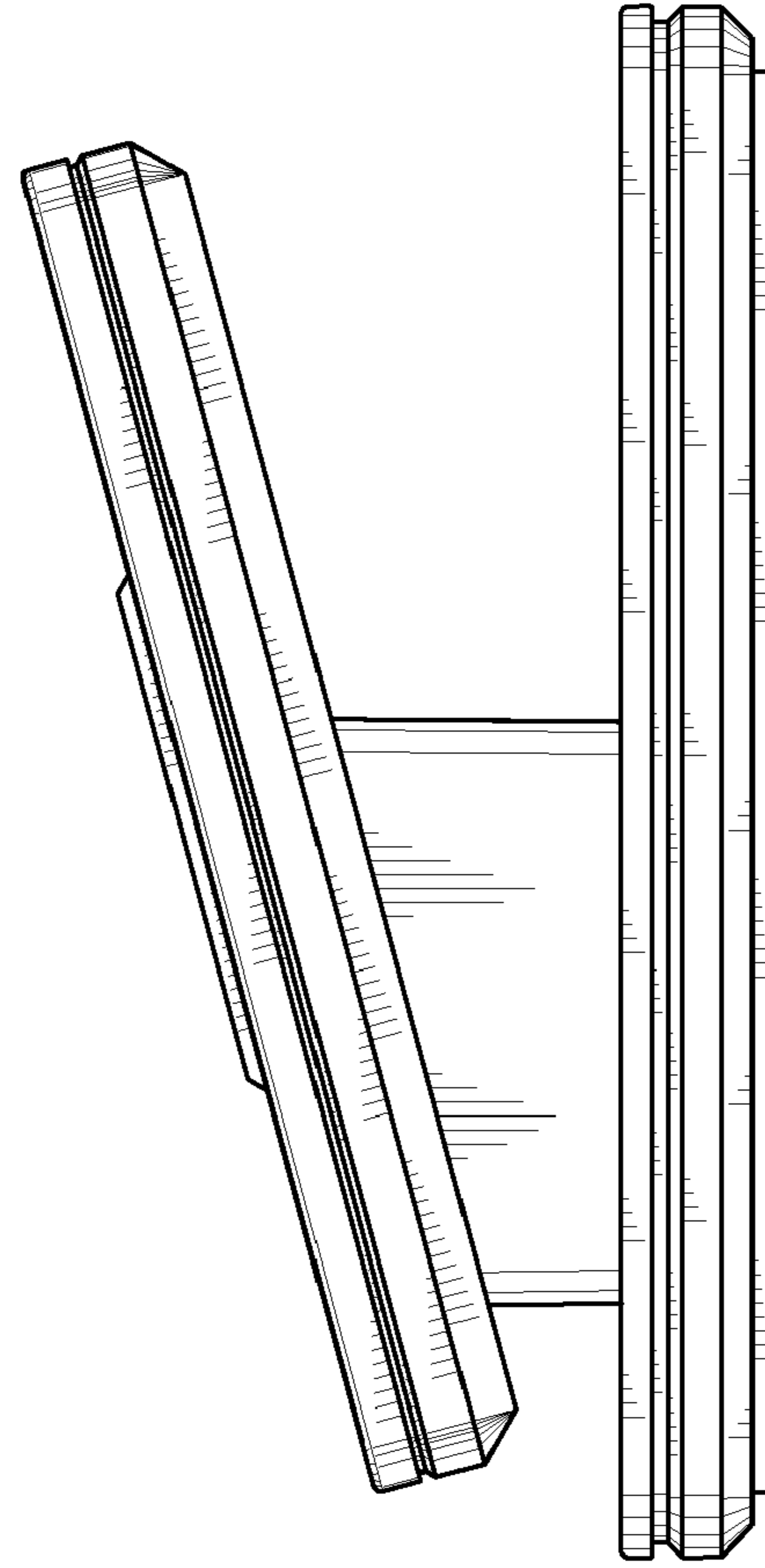


Fig. 4

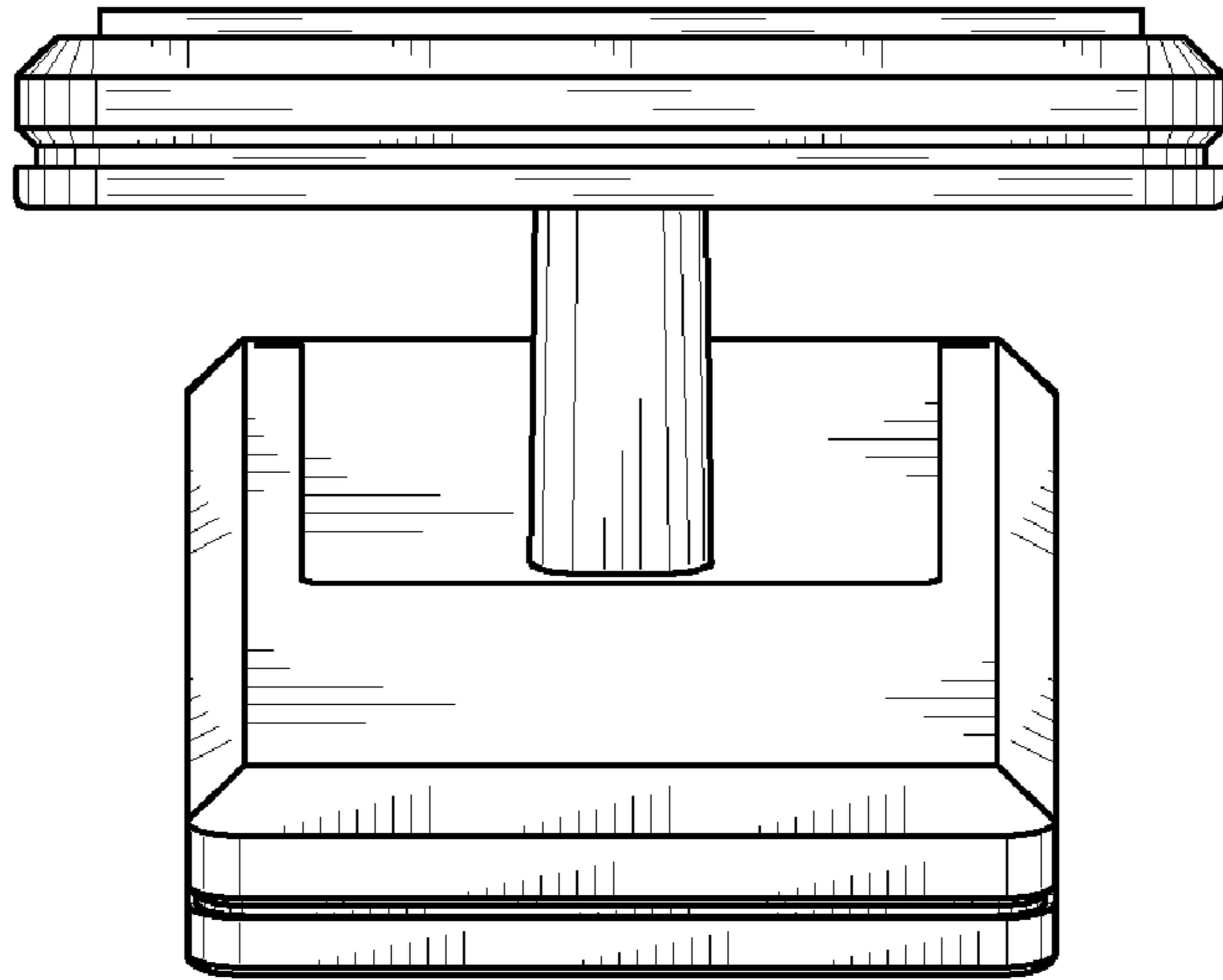


Fig. 5

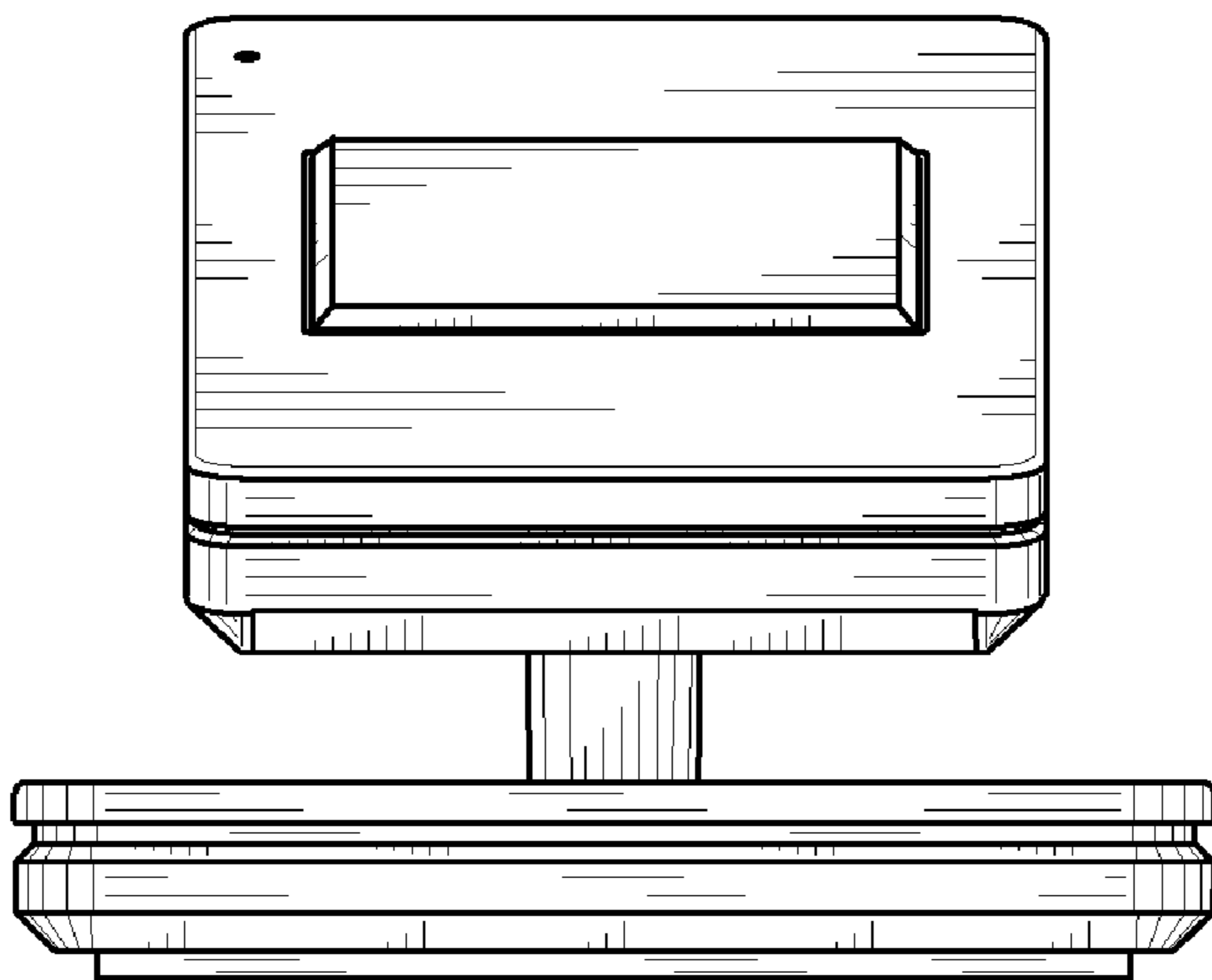


Fig. 6

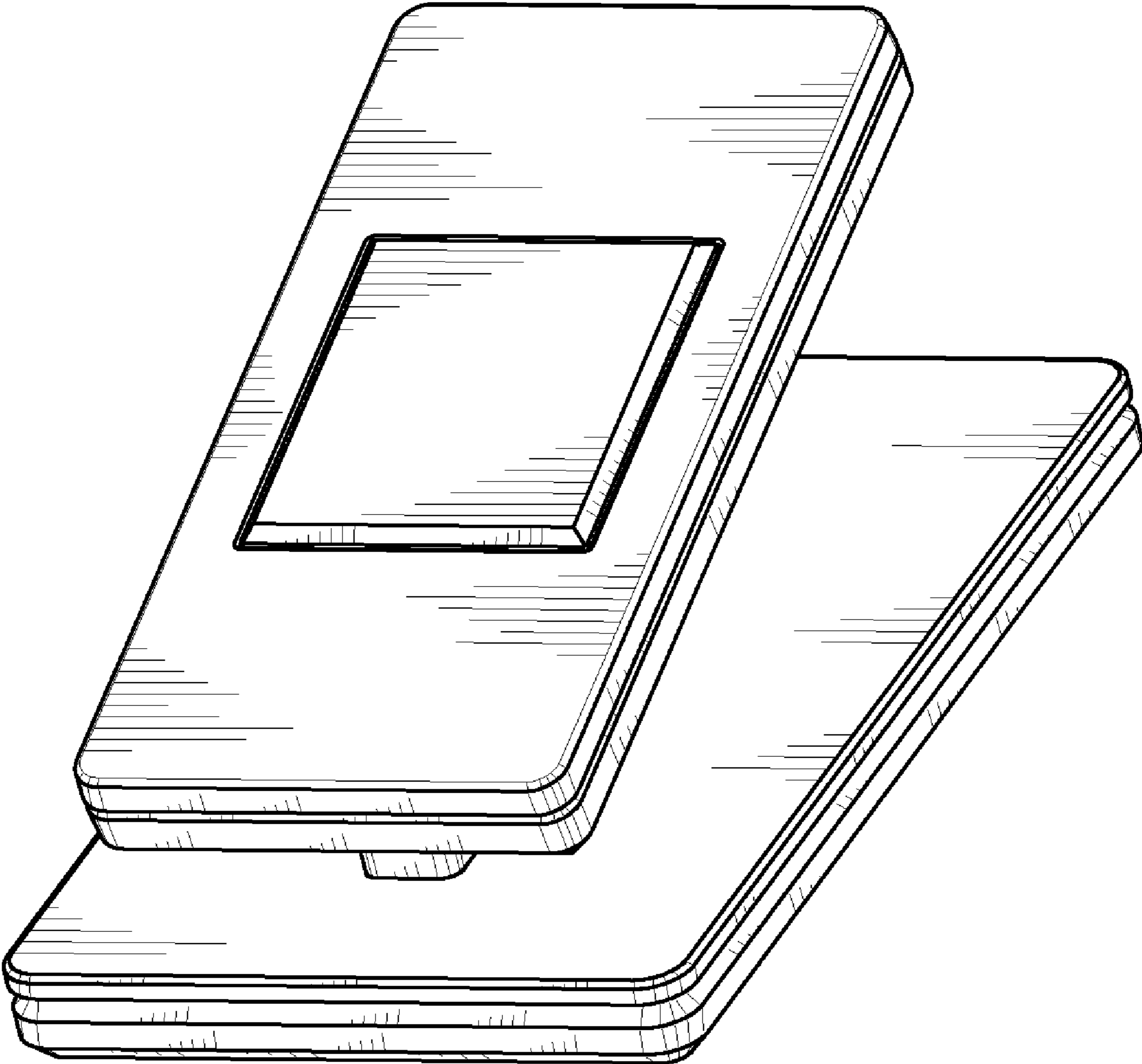


Fig. 7

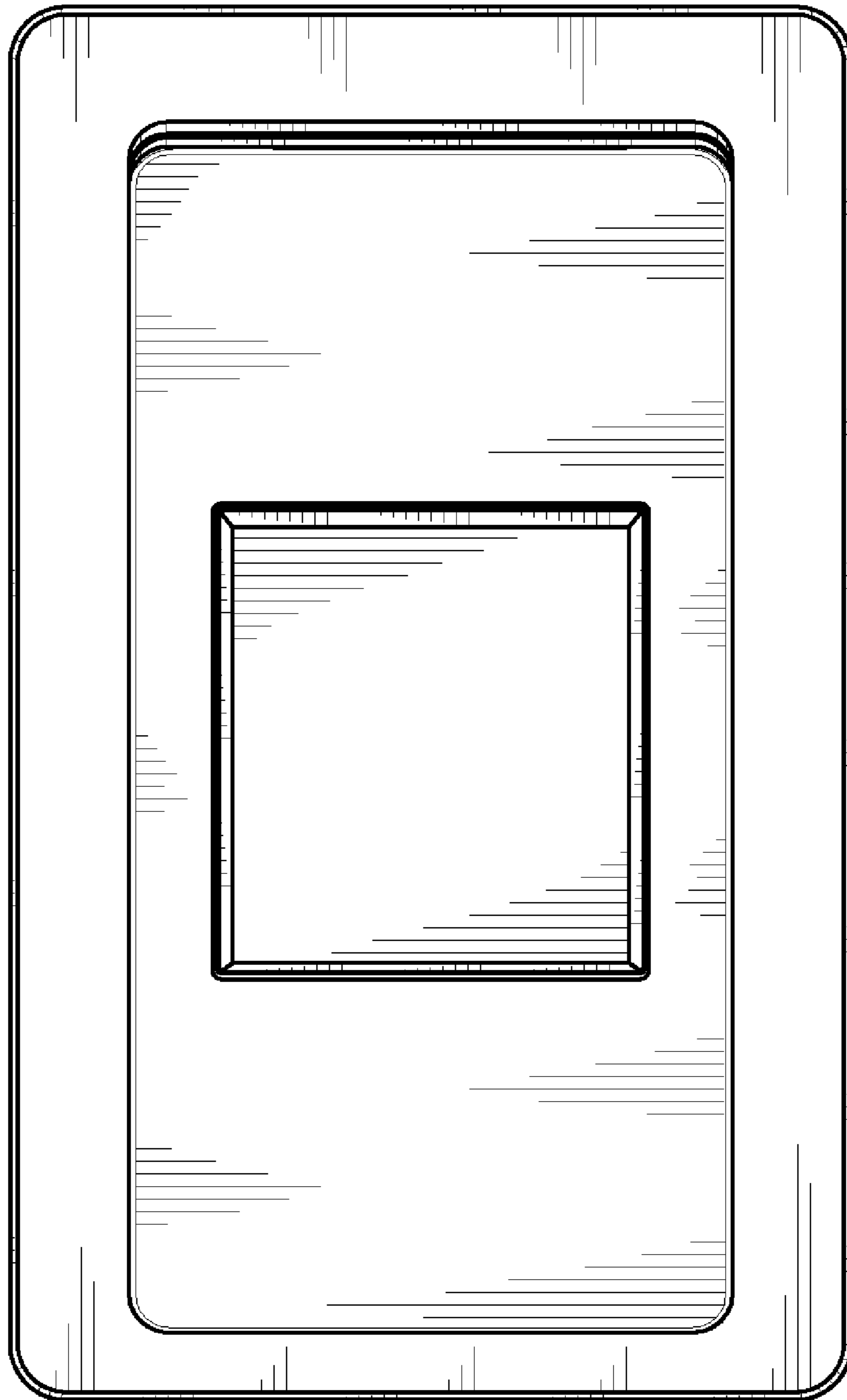


Fig. 8

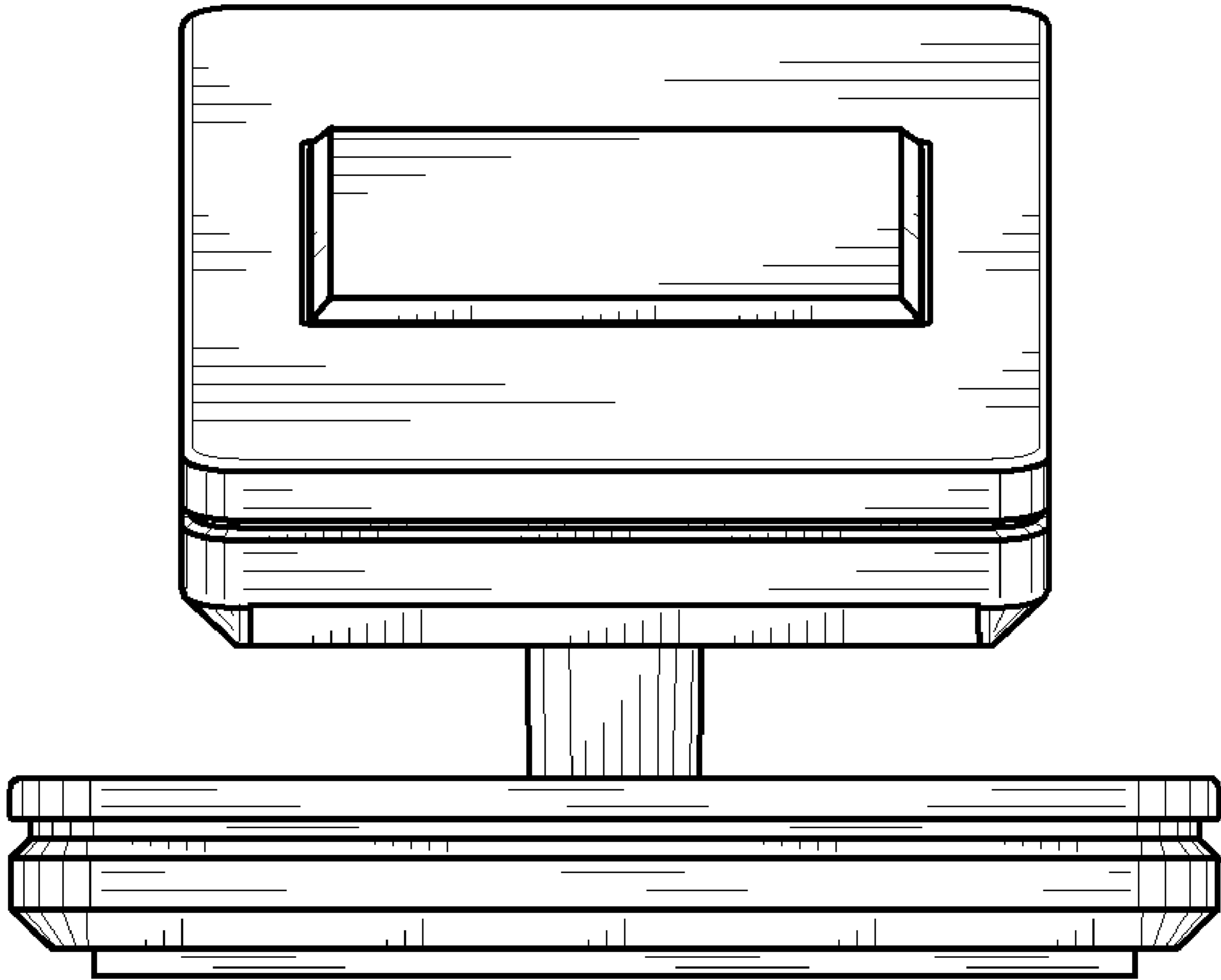


Fig. 9