



US00D619967S

(12) **United States Design Patent**
Smith

(10) **Patent No.:** **US D619,967 S**
(45) **Date of Patent:** **** Jul. 20, 2010**

(54) **ELECTRICAL CONNECTOR**

(75) Inventor: **Lawrence J. Smith**, Stamford, CT (US)

(73) Assignee: **Bridgeport Fittings, Inc.**, Stratford, CT (US)

(**) Term: **14 Years**

(21) Appl. No.: **29/348,039**

(22) Filed: **Nov. 19, 2009**

(51) **LOC (9) Cl.** **13-03**

(52) **U.S. Cl.** **D13/149**

(58) **Field of Classification Search** D13/133,
D13/149, 151, 154, 184, 199; 439/92, 142,
439/320, 535, 557; D8/330, 331, 382, 383,
D8/394, 395; 248/49, 74.1, 62, 63; 174/65 R,
174/65 G, 68.1, 68.3, 69, 71 R, 72 C
See application file for complete search history.

(56) **References Cited**

U.S. PATENT DOCUMENTS

D339,792 S *	9/1993	Nardi et al.	D13/149
D339,793 S *	9/1993	Nardi et al.	D13/149
D404,362 S *	1/1999	Auray et al.	D13/152
D600,649 S *	9/2009	Smith	D13/149
D600,650 S *	9/2009	Smith	D13/149
D601,094 S *	9/2009	Smith	D13/149

* cited by examiner

Primary Examiner—Daniel D Bui

Assistant Examiner—Thomas J Johannes

(74) *Attorney, Agent, or Firm*—Melvin I. Stoltz

(57) **CLAIM**

The ornamental design for an electrical connector, as shown and described.

DESCRIPTION

FIG. 1 is a perspective view of the electrical connector of my design;

FIG. 2 is a front elevational view thereof;

FIG. 3 is a side elevational view thereof, looking from the left side of FIG. 2, the opposite side being a mirror image thereof;

FIG. 4 is a rear elevational view thereof;

FIG. 5 is a top plan view thereof;

FIG. 6 is a bottom plan view thereof; and,

FIG. 7 is an exploded perspective view of the electrical connector of my design shown with the cover removed therefrom.

The broken line portion of the figure drawings is included to show unclaimed subject matter only and forms no part of the claimed design; the broken line arrows employed in FIG. 7 show how parts of the design are assembled.

1 Claim, 3 Drawing Sheets

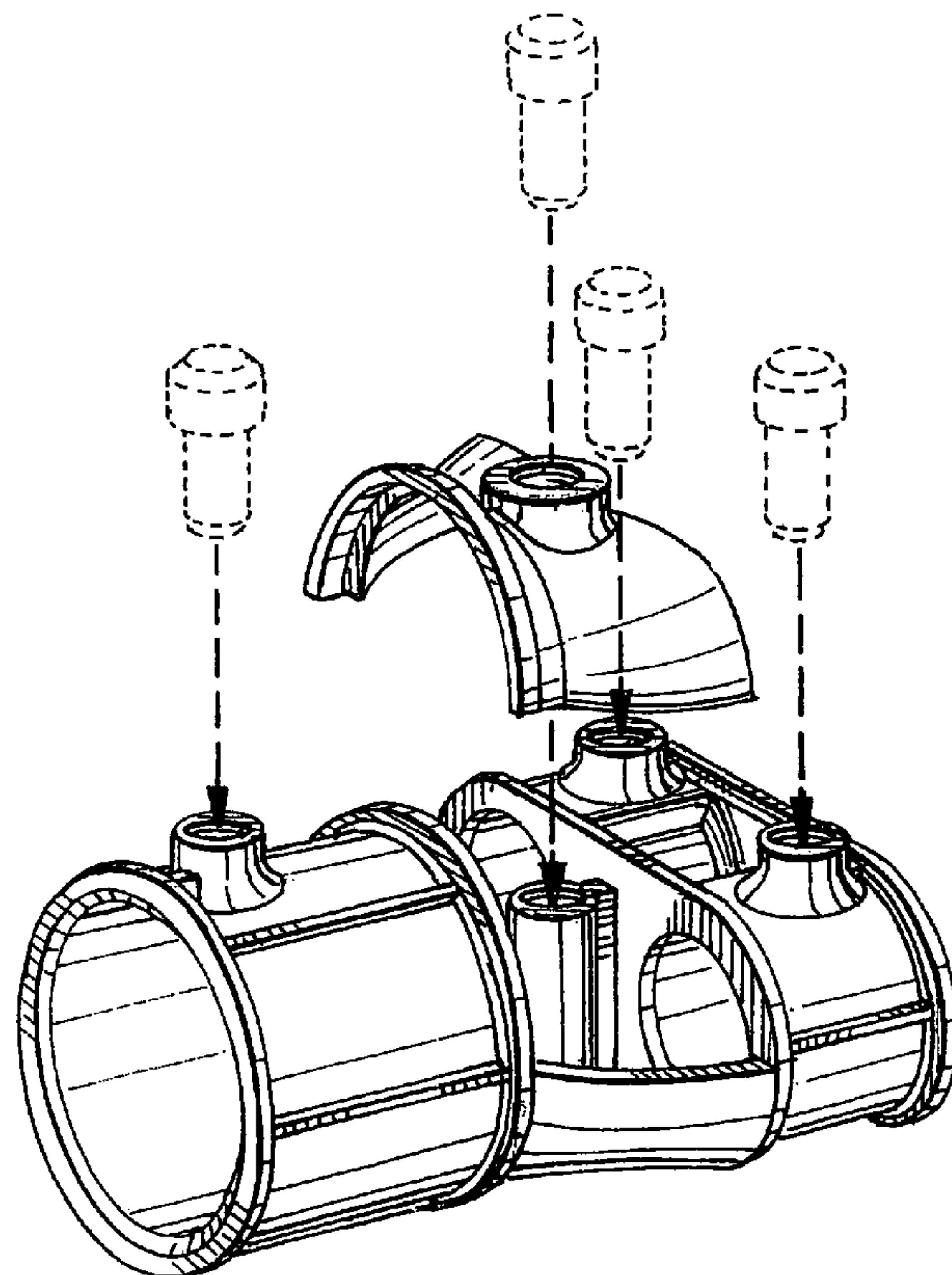
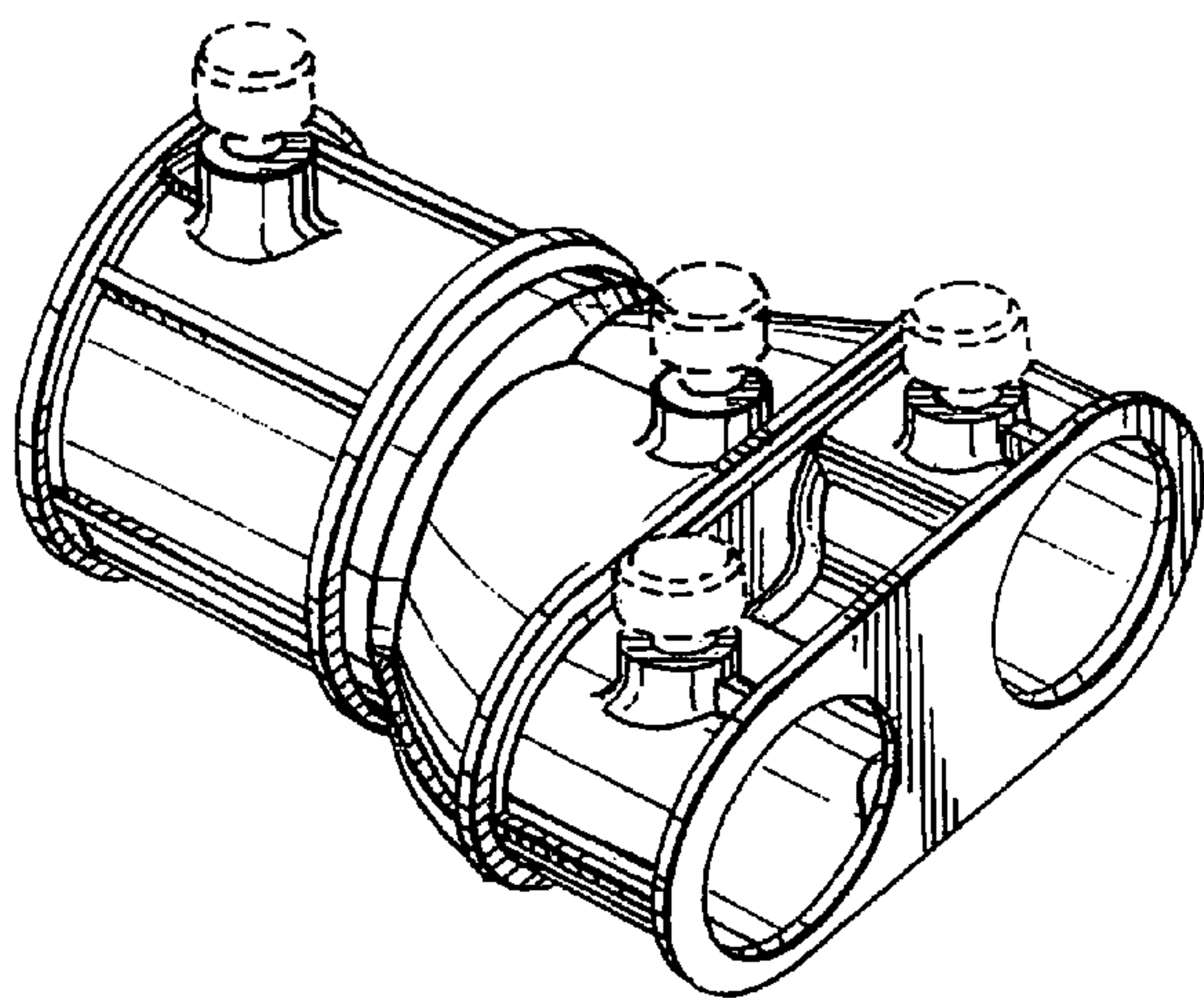


FIG. 1

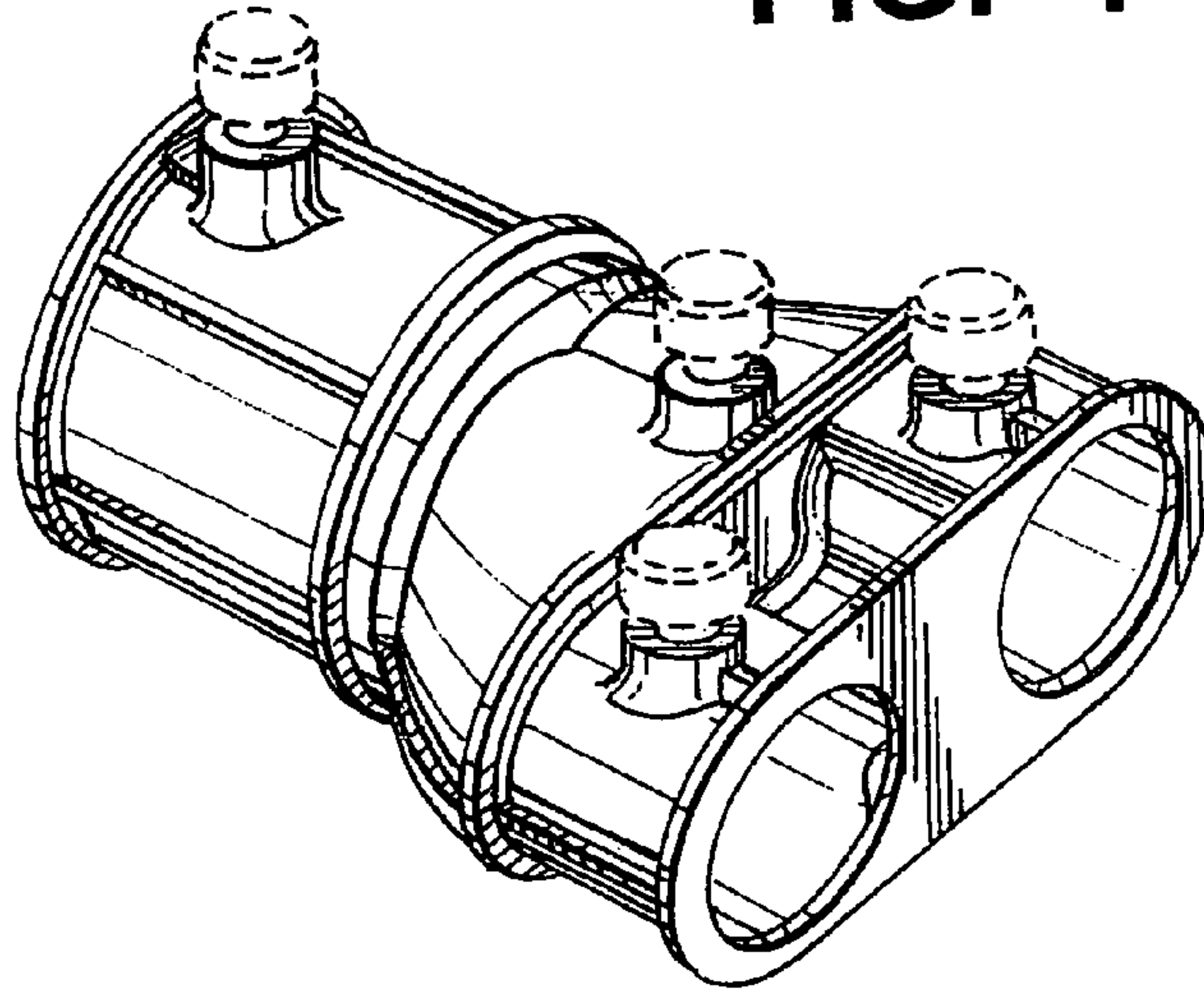


FIG. 2

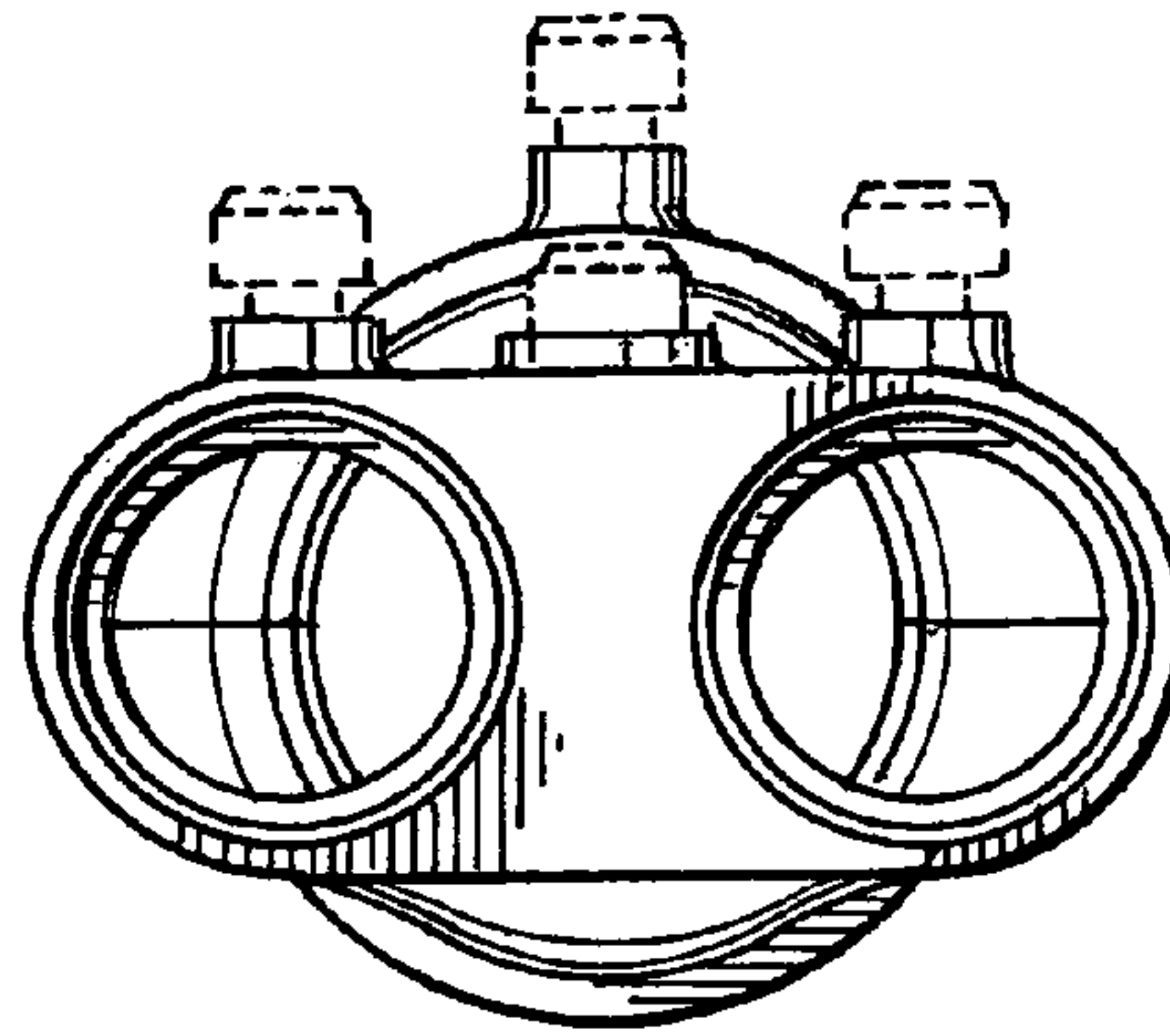
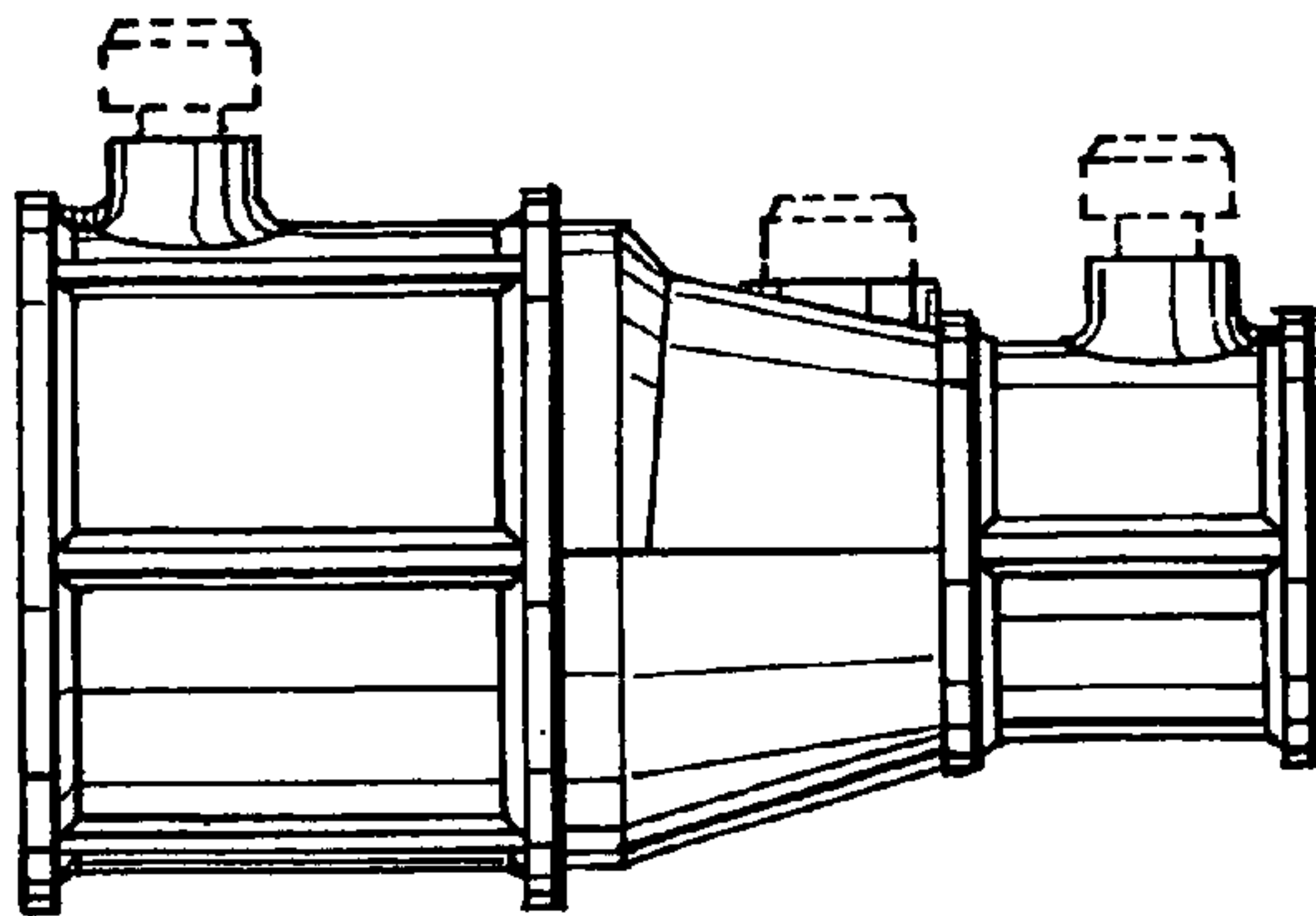


FIG. 3



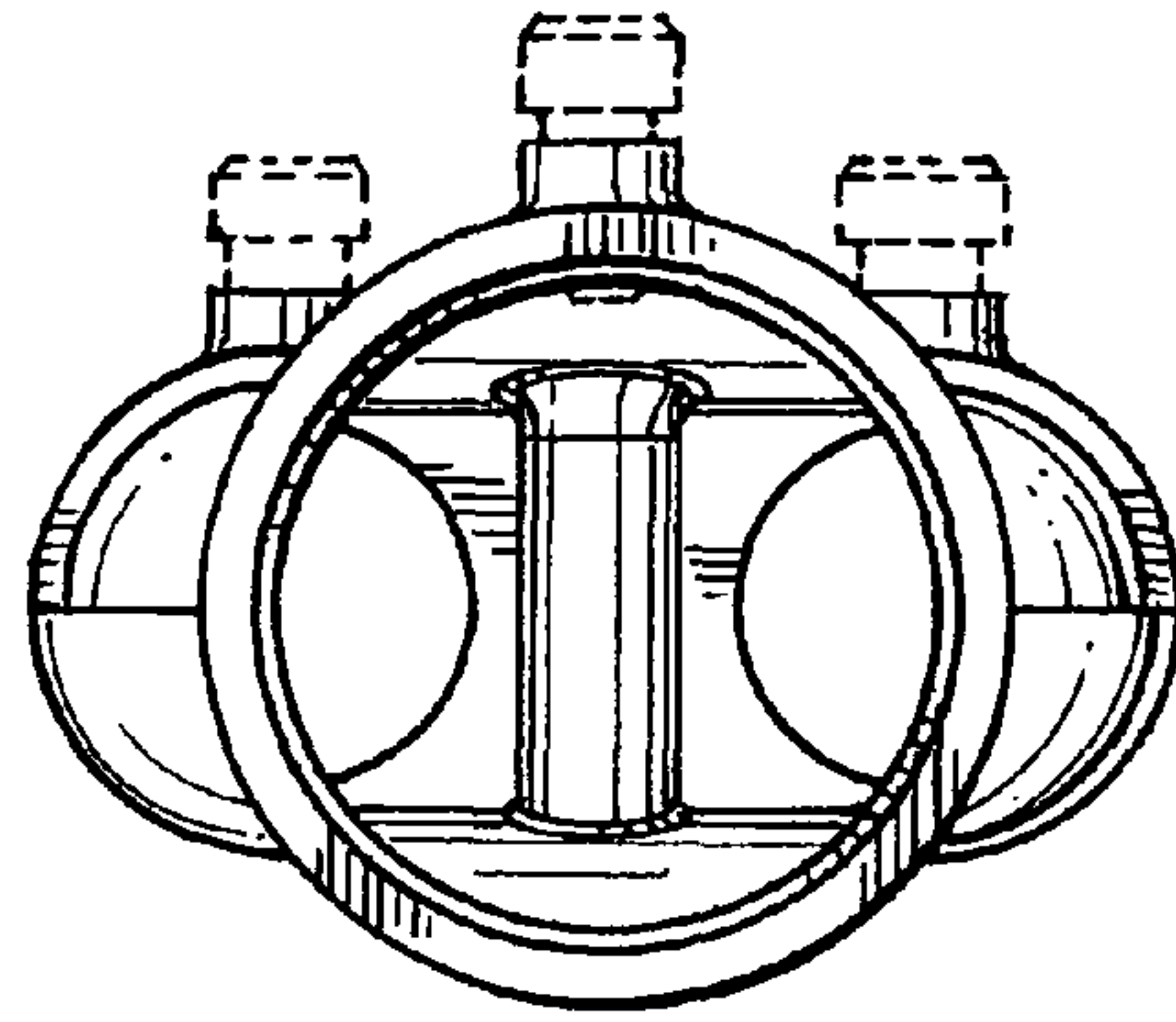


FIG. 4

FIG. 5

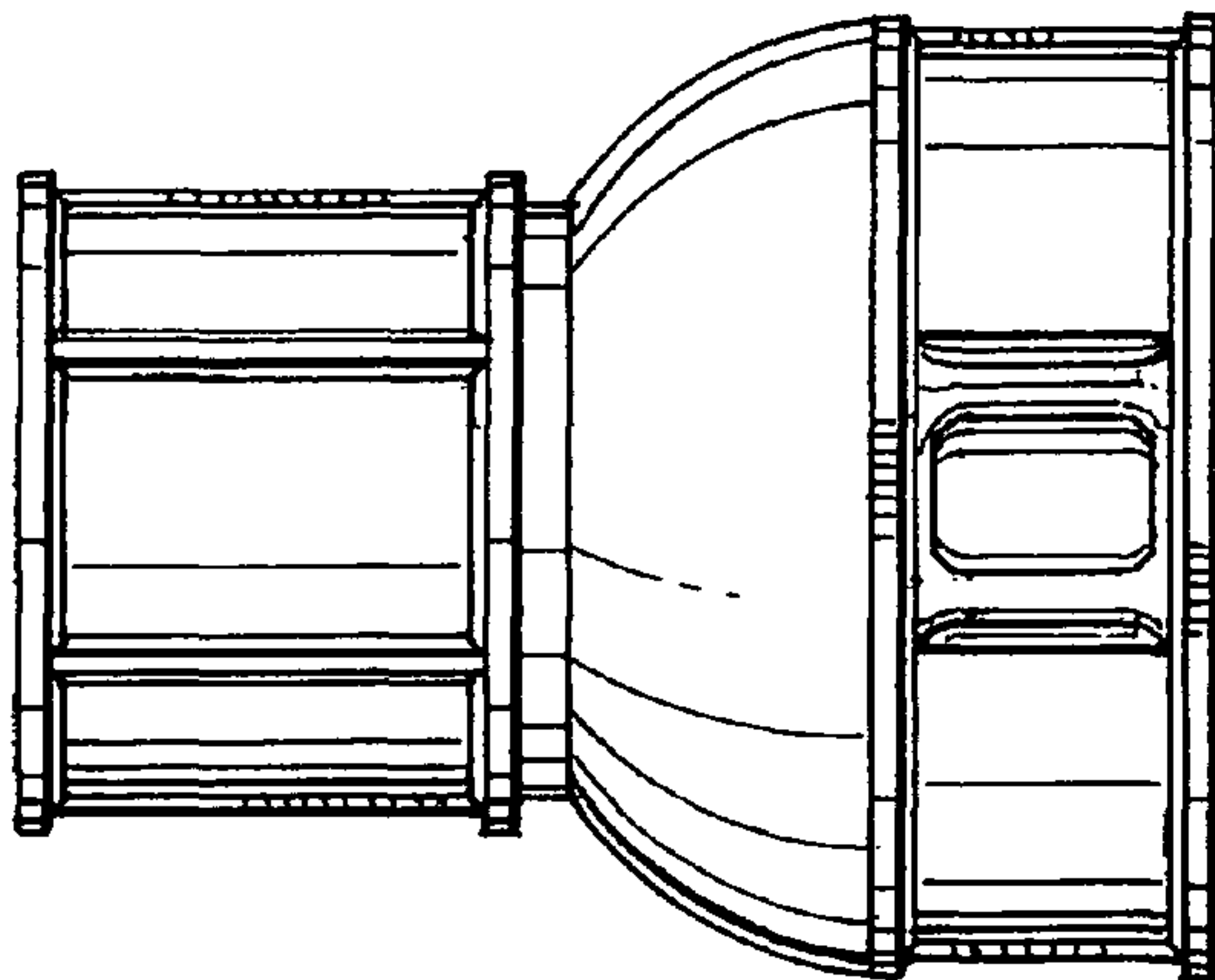
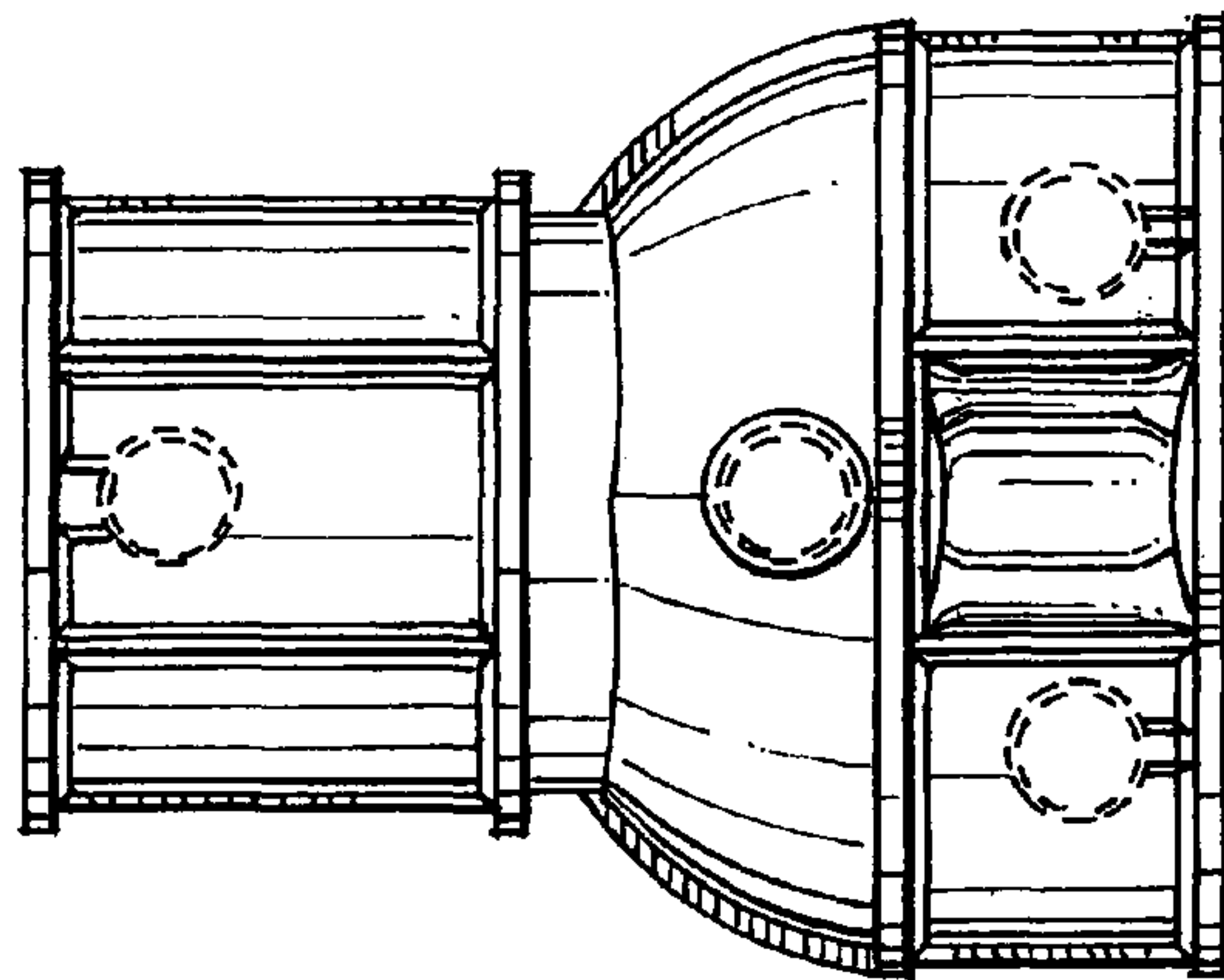


FIG. 6

FIG. 7

