



US00D619966S

(12) **United States Design Patent**
Suetake et al.

(10) **Patent No.:** **US D619,966 S**
(45) **Date of Patent:** **** Jul. 20, 2010**

(54) **CONTROLLER EXPANDER**

(74) *Attorney, Agent, or Firm*—Nixon & Vanderhye, P.C.

(75) Inventors: **Fumiyoshi Suetake**, Kyoto (JP);
Noboru Wakitani, Kyoto (JP); **Masato Ibuki**, Kyoto (JP); **Junji Takamoto**, Kyoto (JP)

(57) **CLAIM**

The ornamental design for a controller expander, as shown and described.

(73) Assignee: **Nintendo Co., Ltd.**, Kyoto (JP)

DESCRIPTION

(**) Term: **14 Years**

(21) Appl. No.: **29/353,208**

(22) Filed: **Jan. 5, 2010**

Related U.S. Application Data

(62) Division of application No. 29/330,359, filed on Jan. 6, 2009.

(30) **Foreign Application Priority Data**

Jul. 11, 2008 (JP) 2008-017969
Jul. 11, 2008 (JP) 2008-017992
Oct. 1, 2008 (JP) 2008-025255

FIG. 1 is a front, top and left perspective view of a first embodiment of a controller expander of our new design;
FIG. 2 is a rear, bottom and right perspective view thereof;
FIG. 3 is a front view thereof;
FIG. 4 is a rear view thereof;
FIG. 5 is a top plan view thereof;
FIG. 6 is a bottom plan thereof;
FIG. 7 is a right side view thereof, a left side view thereof being a mirror image;
FIG. 8 is a front view thereof, attached to a controller;
FIG. 9 is a right side view thereof, attached to a controller.
FIG. 10 is a front, top and left perspective view of a second embodiment of a controller expander of our new design;
FIG. 11 is a rear, bottom and right perspective view thereof;
FIG. 12 is a front view thereof;
FIG. 13 is a rear view thereof;
FIG. 14 is a top plan view thereof;
FIG. 15 is a bottom plan thereof;
FIG. 16 is a right side view thereof, a left side view thereof being a mirror image;
FIG. 17 is a front view thereof, attached to a controller; and,
FIG. 18 is a right side view thereof, attached to a controller.
The broken line showing on the drawing disclosure is for illustrative purposes only and forms no part of the claimed design.

(51) **LOC (9) Cl.** **13-03**
(52) **U.S. Cl.** **D13/147; D13/133**
(58) **Field of Classification Search** D13/133,
D13/146–147, 154, 184; 439/278, 282, 290–293,
439/328, 352, 483, 592–593, 607.08, 660,
439/680

See application file for complete search history.

(56) **References Cited**

U.S. PATENT DOCUMENTS

5,876,248 A * 3/1999 Bruner et al. 439/607.08

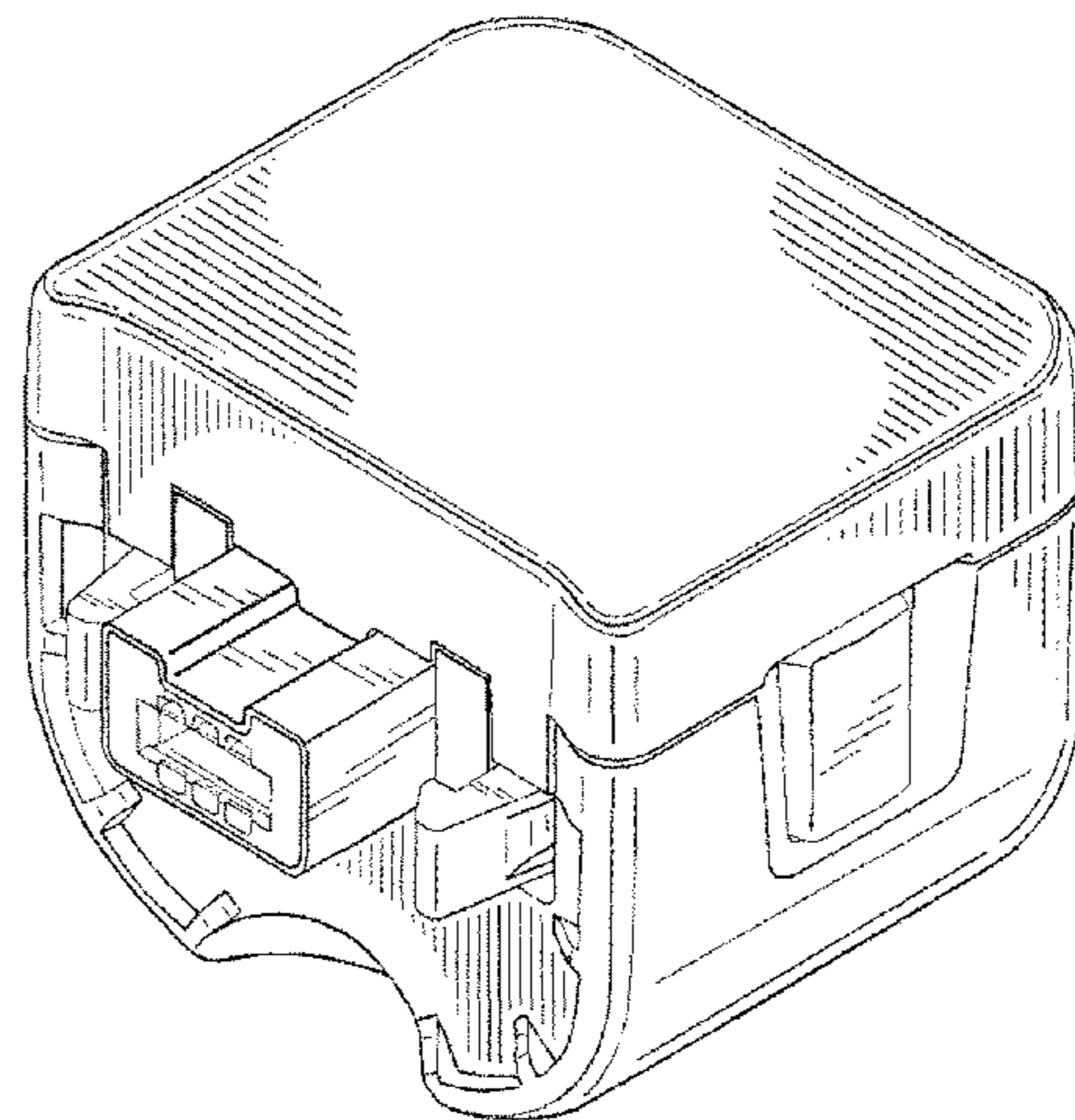
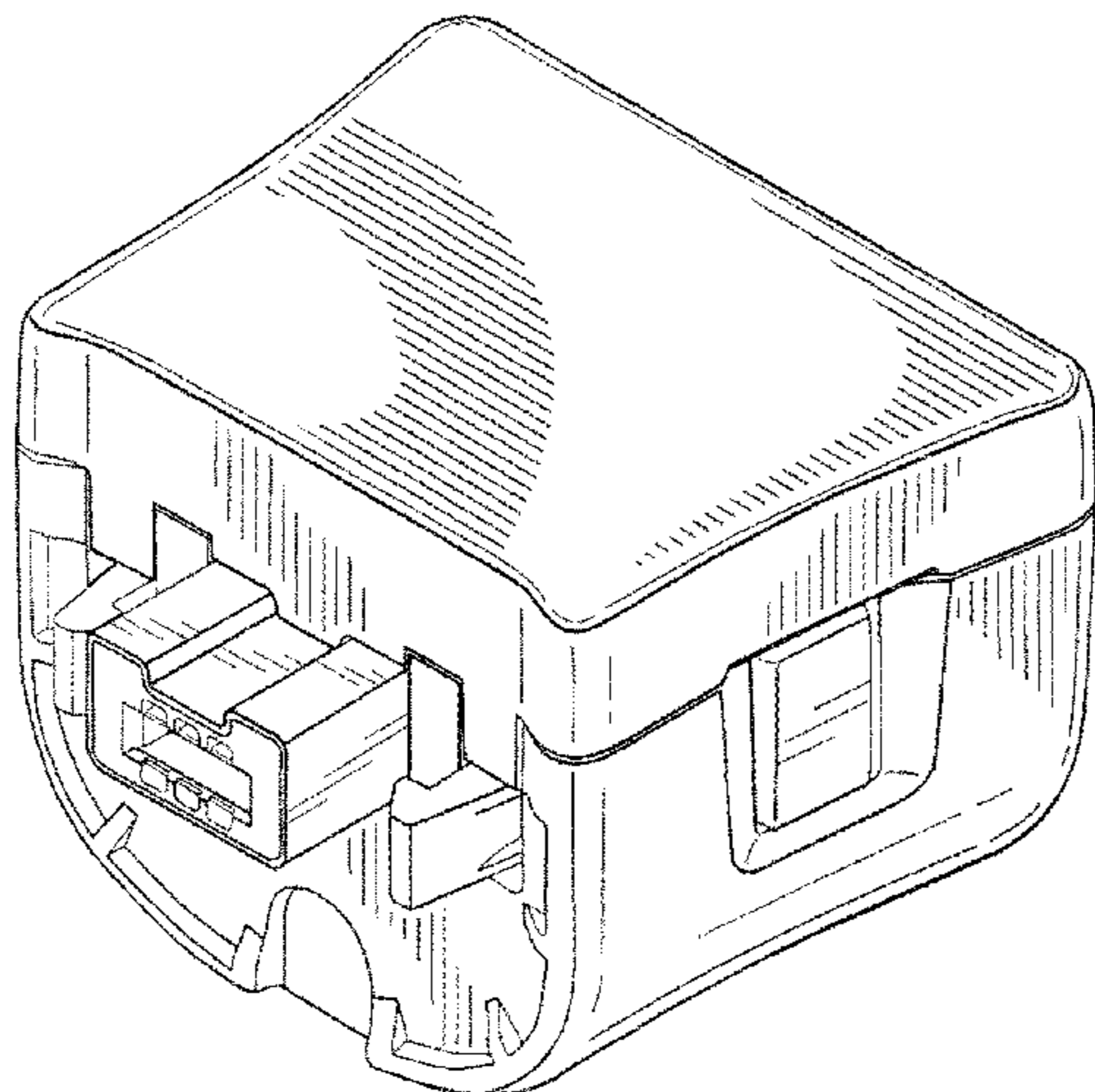
(Continued)

OTHER PUBLICATIONS

U.S. Appl. No. 29/330,359 (Suetake et al.), filed Jan. 6, 2009.

Primary Examiner—Nanda Bondade

1 Claim, 10 Drawing Sheets



US D619,966 S

Page 2

U.S. PATENT DOCUMENTS

D481,683 S	*	11/2003	Lai	D13/147	D559,178 S	1/2008	Ashida et al.
D558,677 S		1/2008	Ashida et al.		D568,821 S	5/2008	Ashida et al.
D558,682 S		1/2008	Ashida et al.		D568,823 S	5/2008	Ashida et al.

* cited by examiner

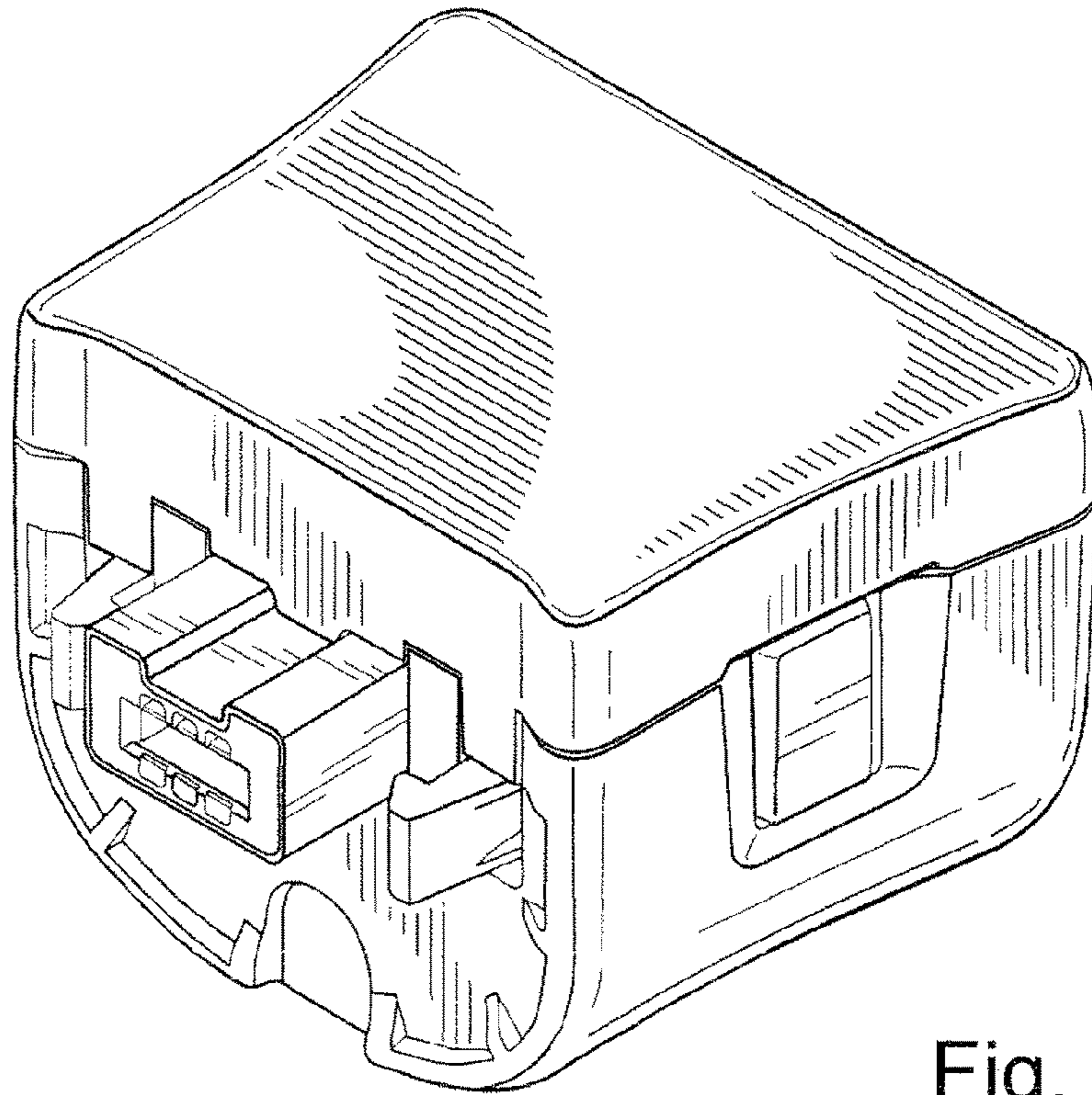


Fig. 1

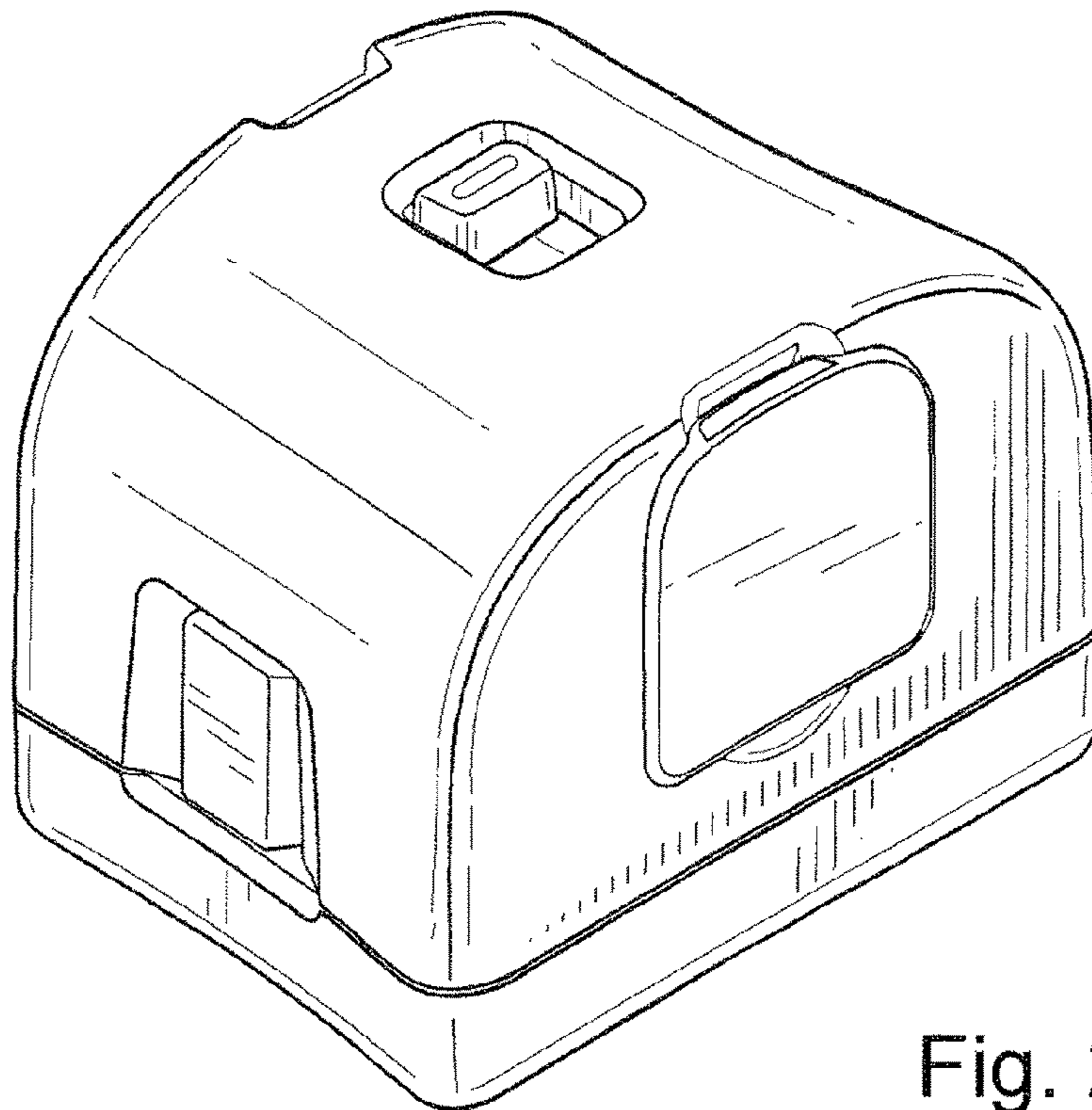


Fig. 2

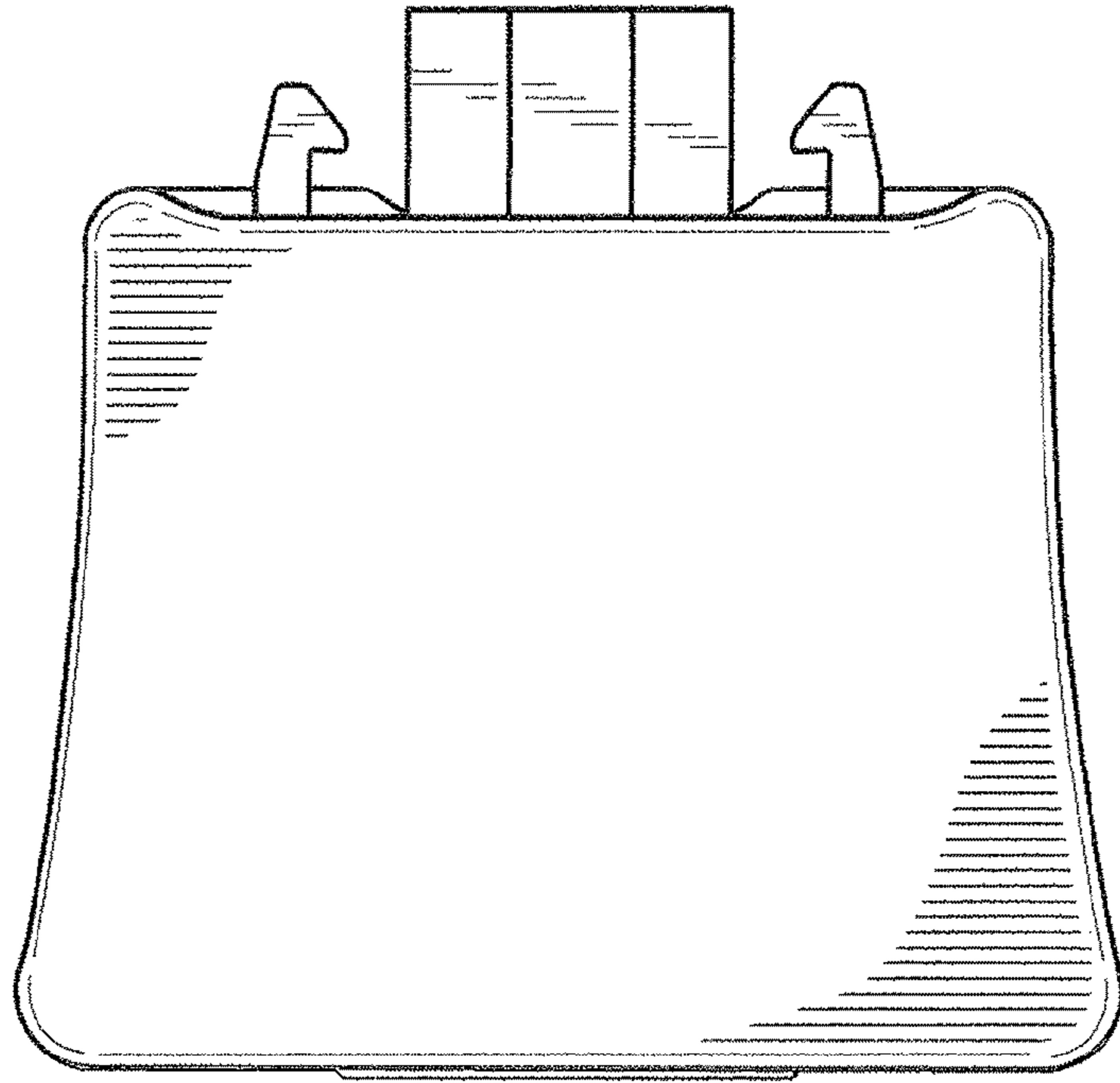


Fig. 3

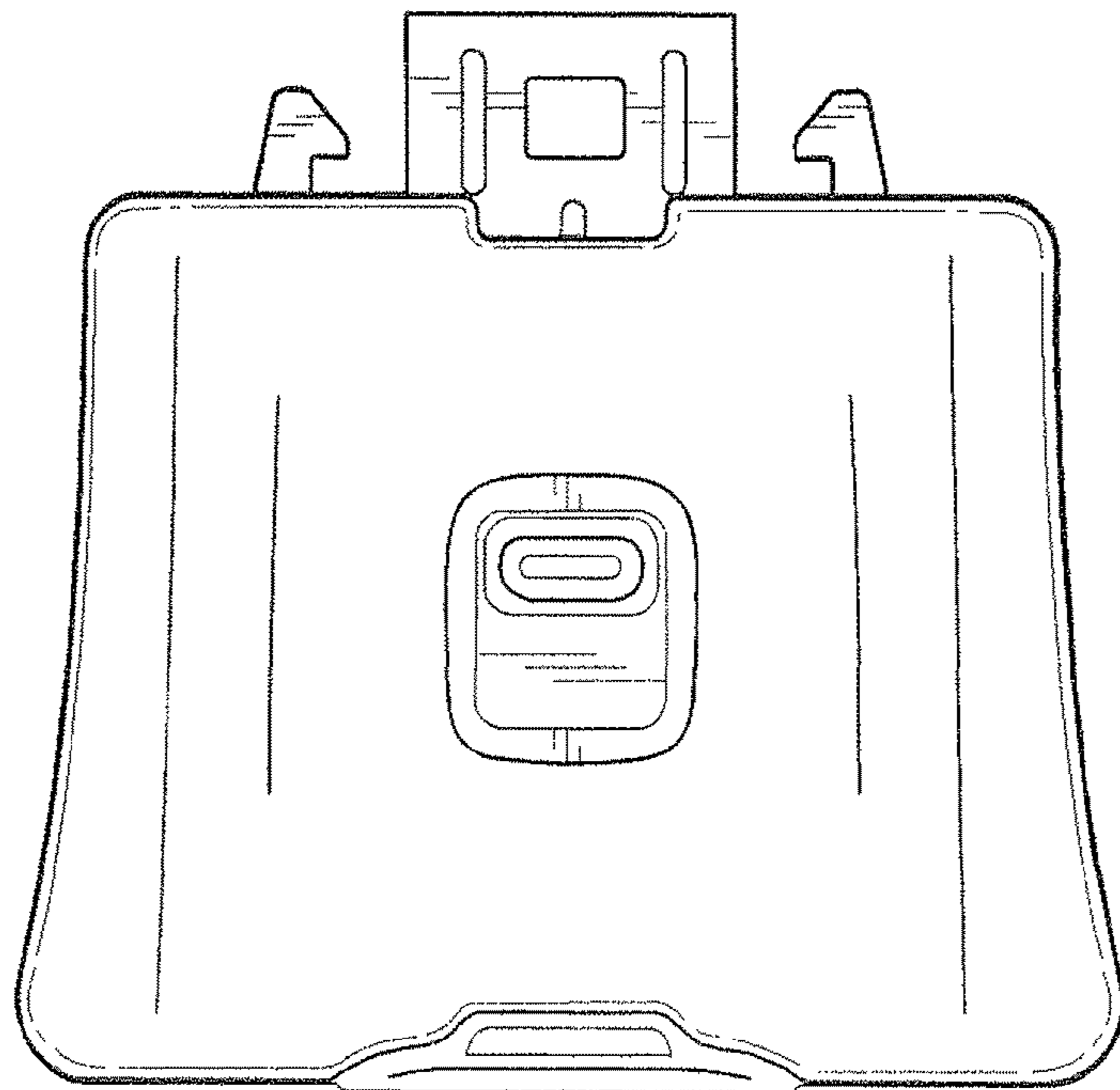


Fig. 4

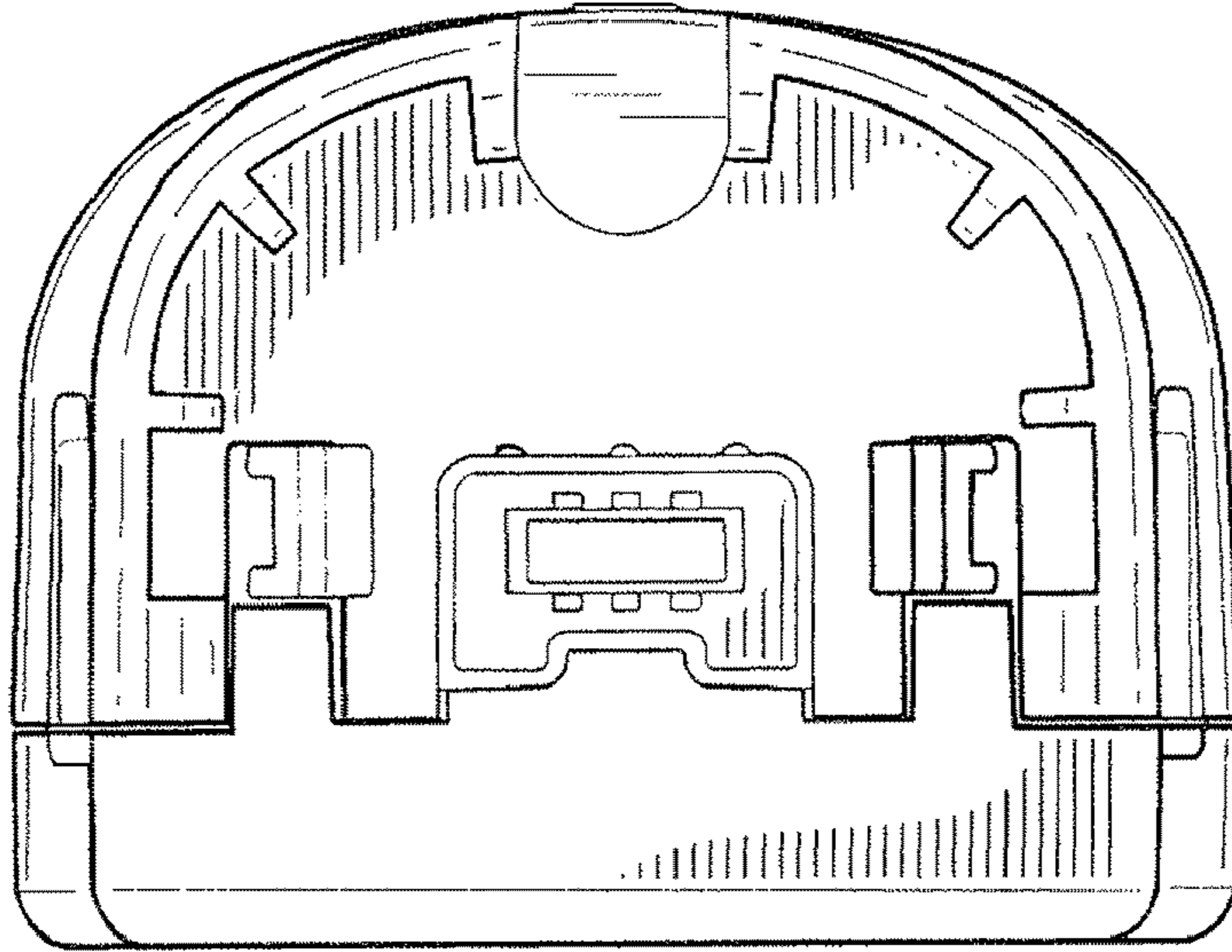


Fig. 5

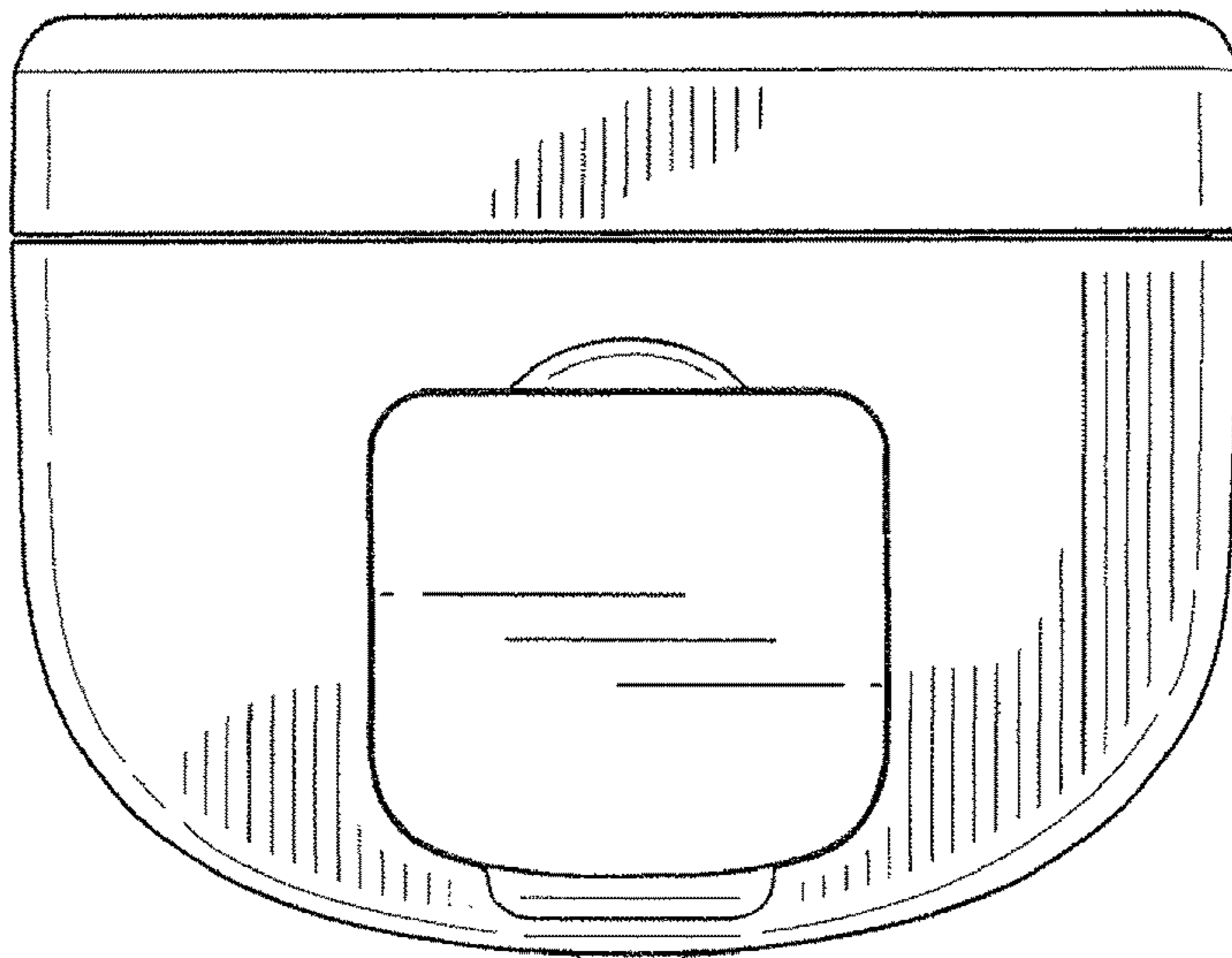


Fig. 6

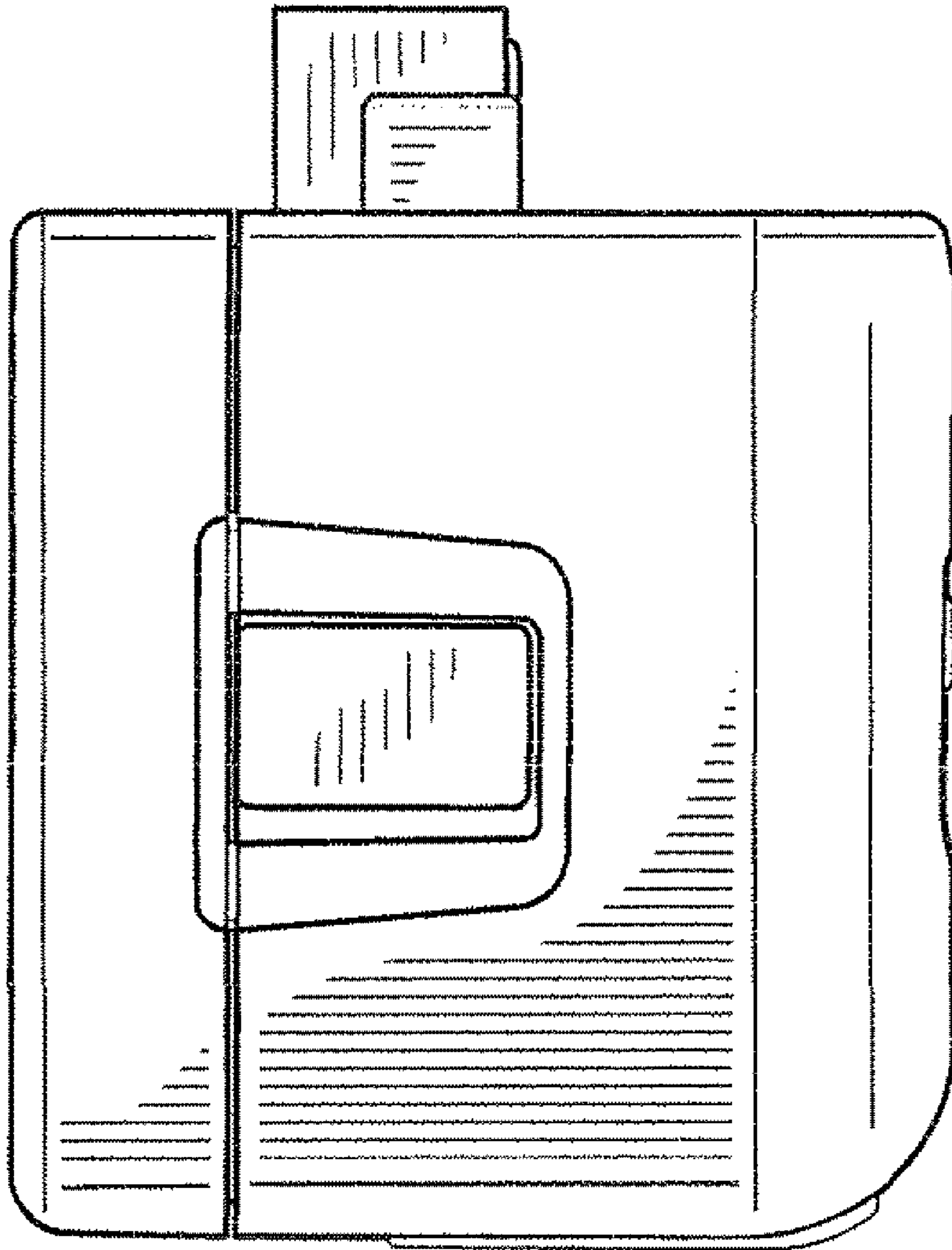


Fig. 7

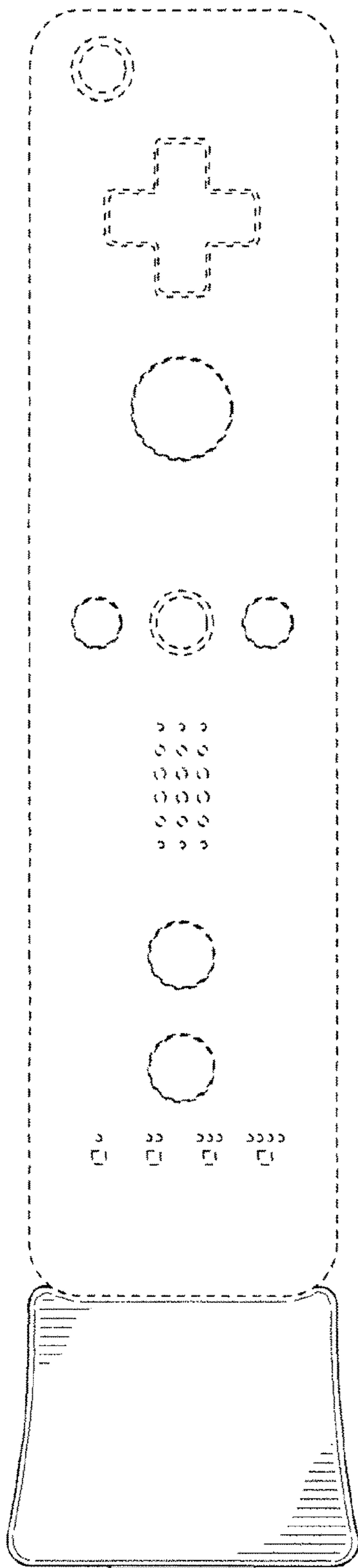


Fig. 8

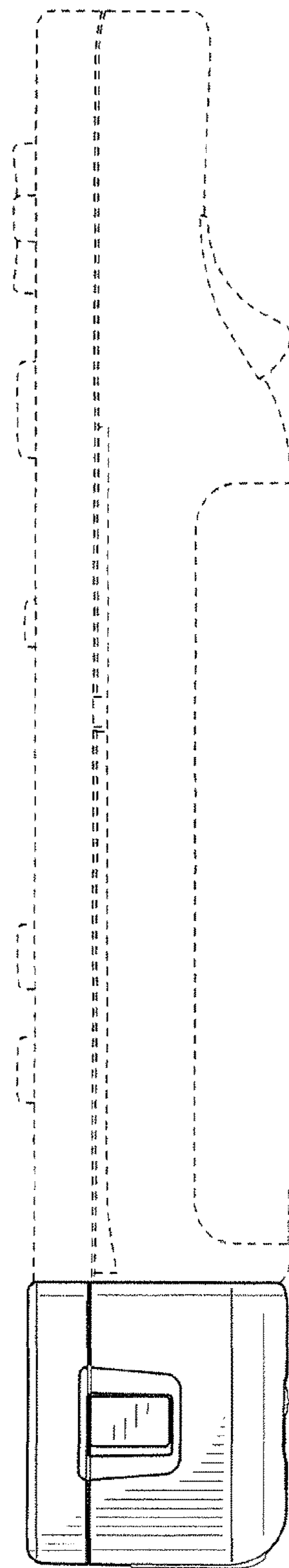


Fig. 9

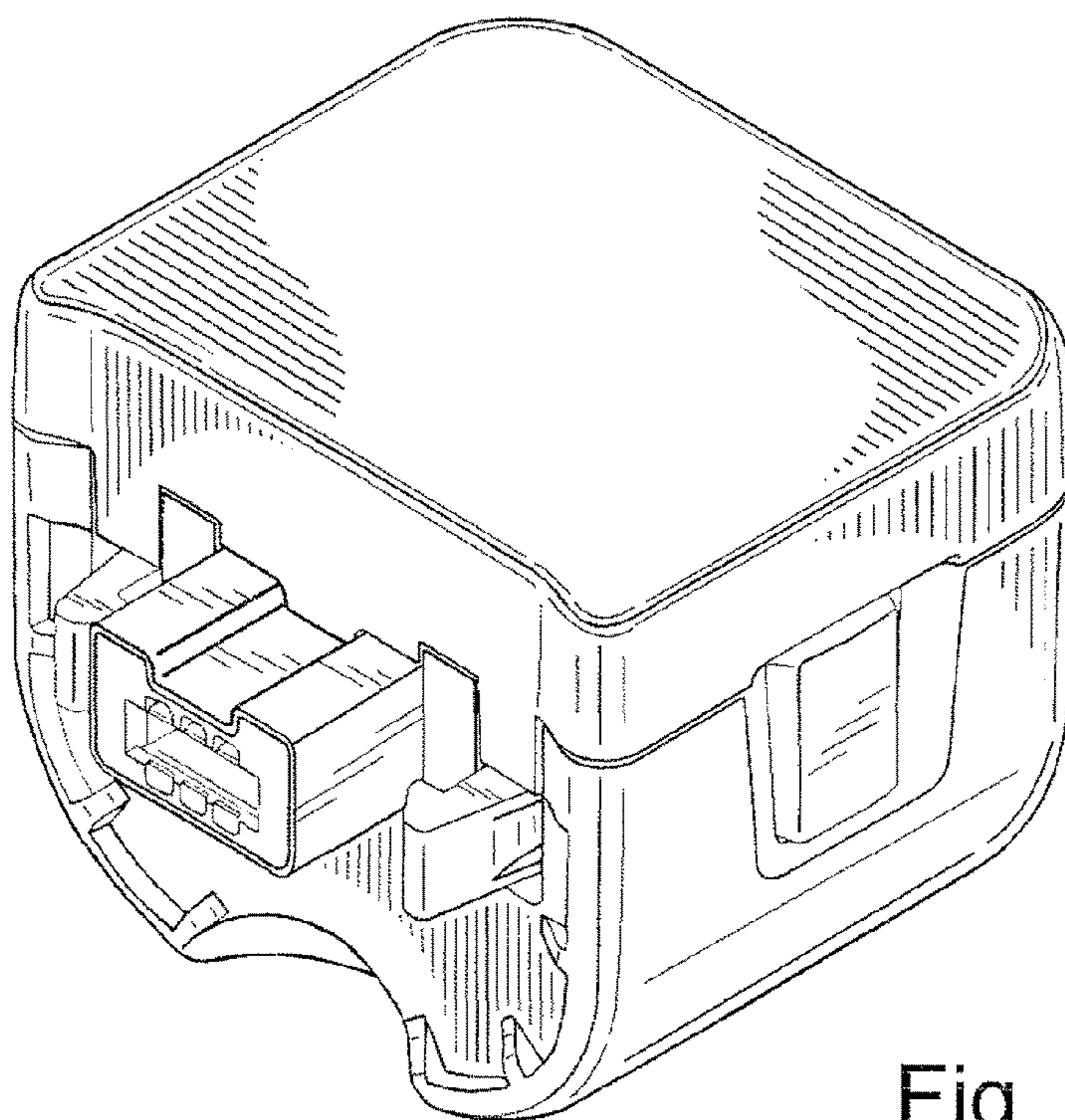


Fig. 10

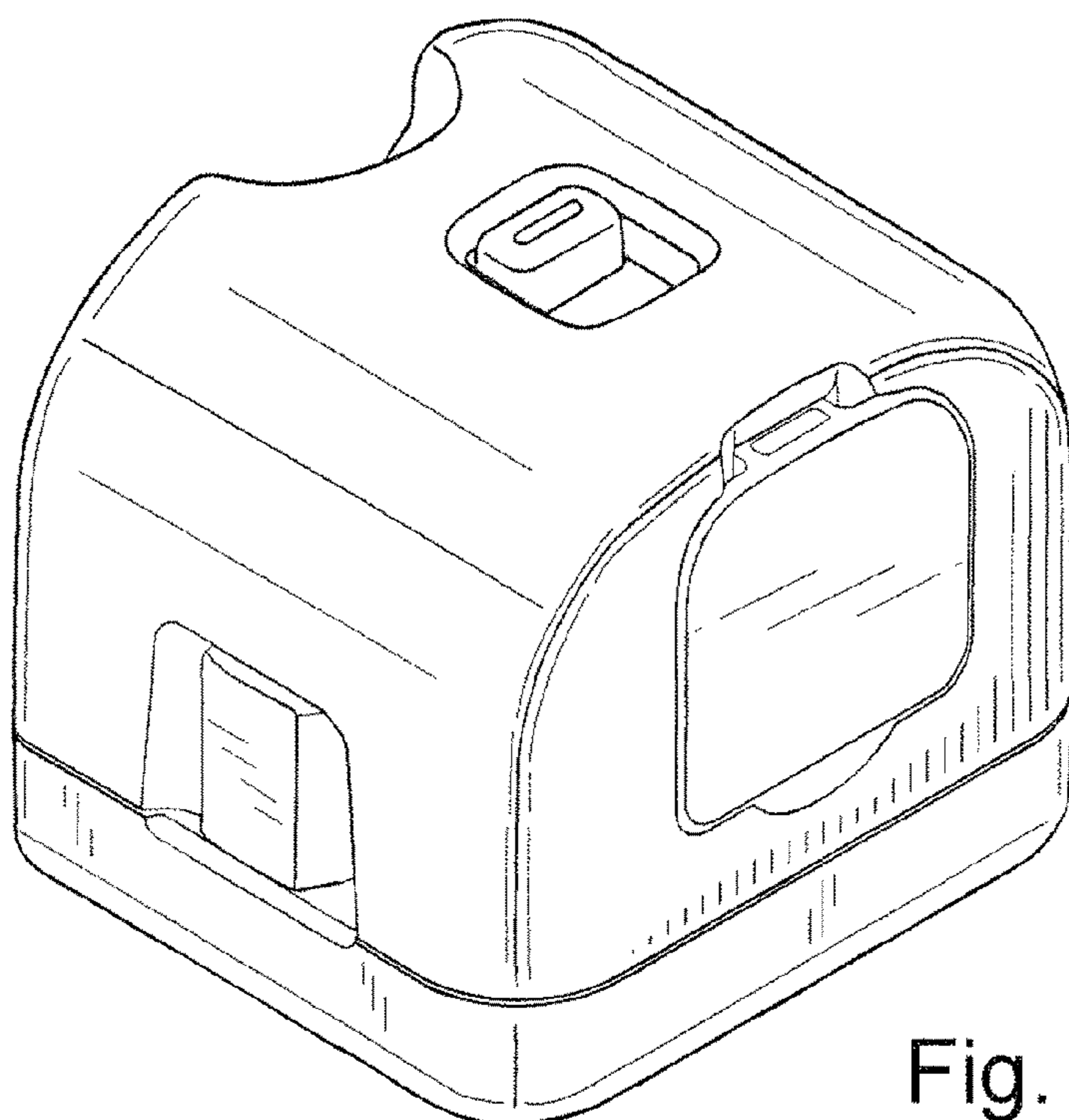


Fig. 11

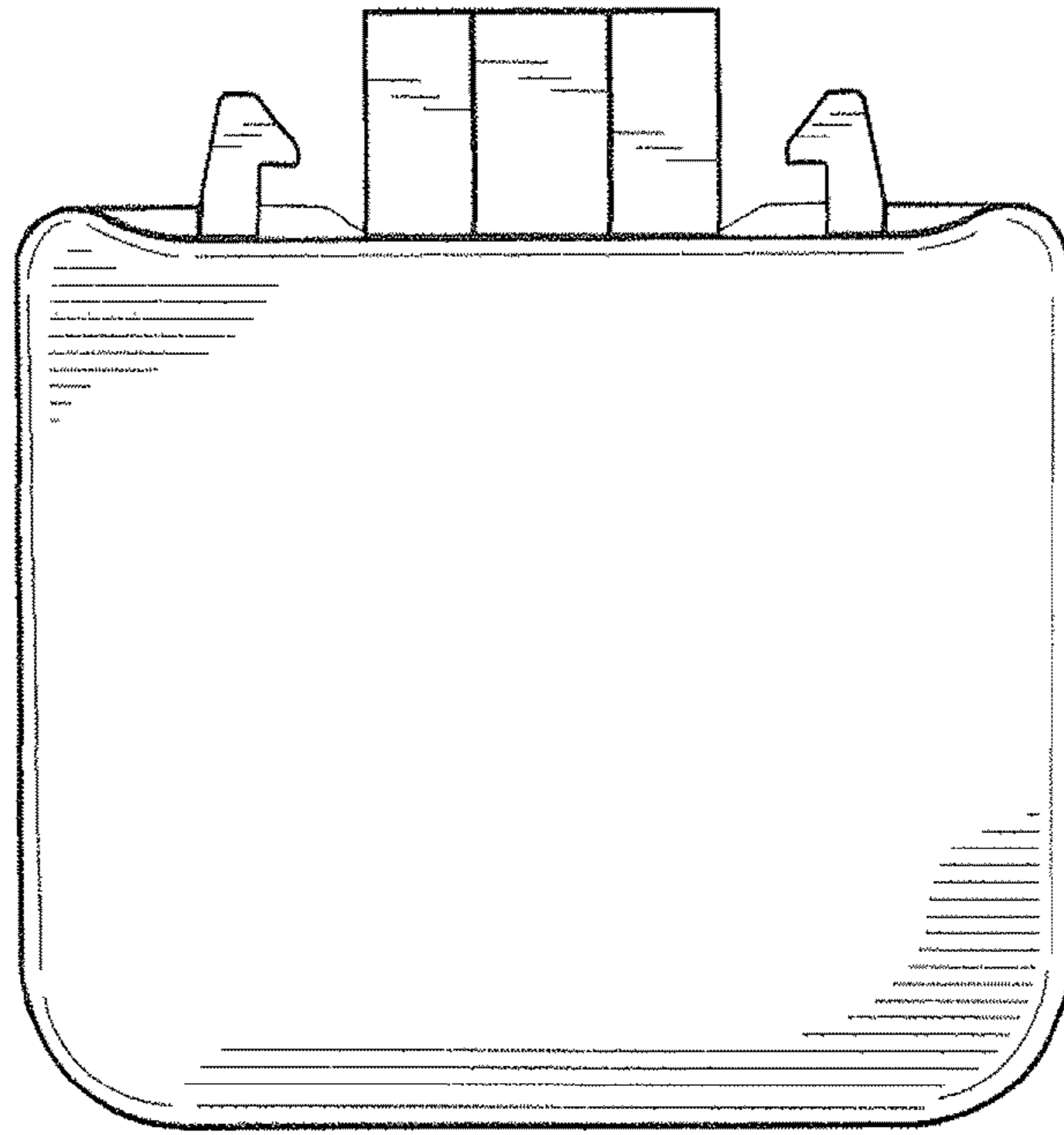


Fig. 12

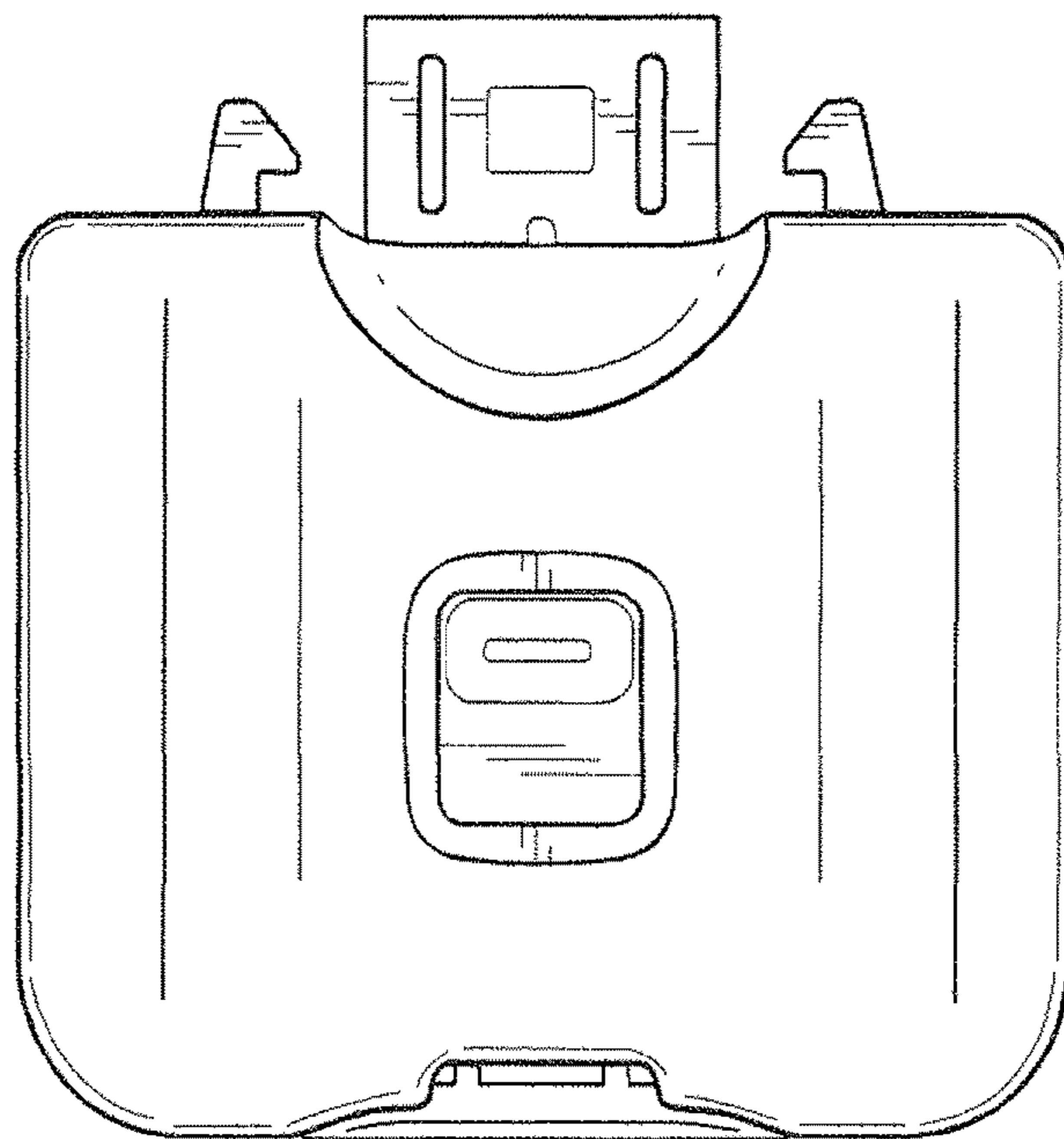


Fig. 13

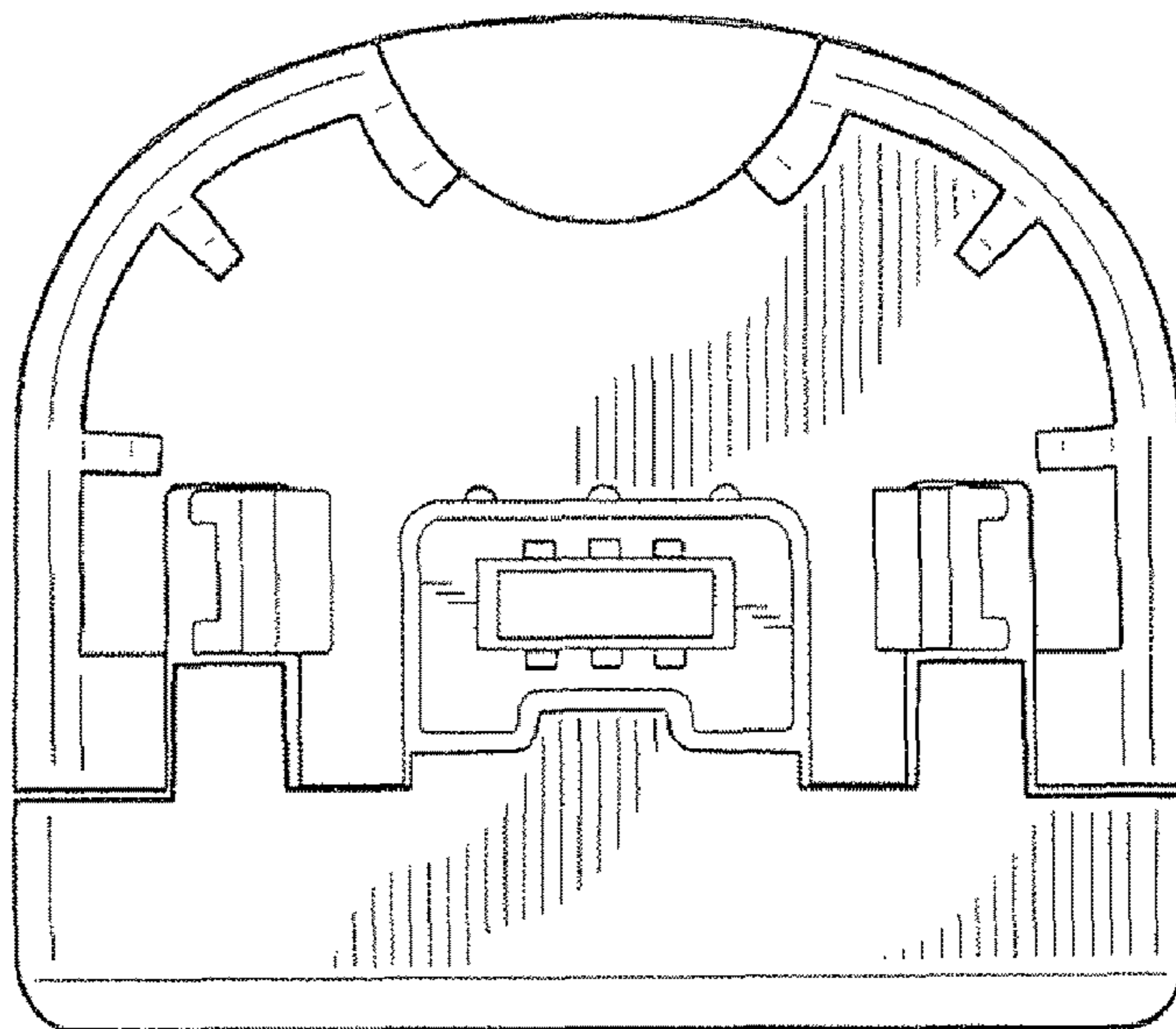


Fig. 14

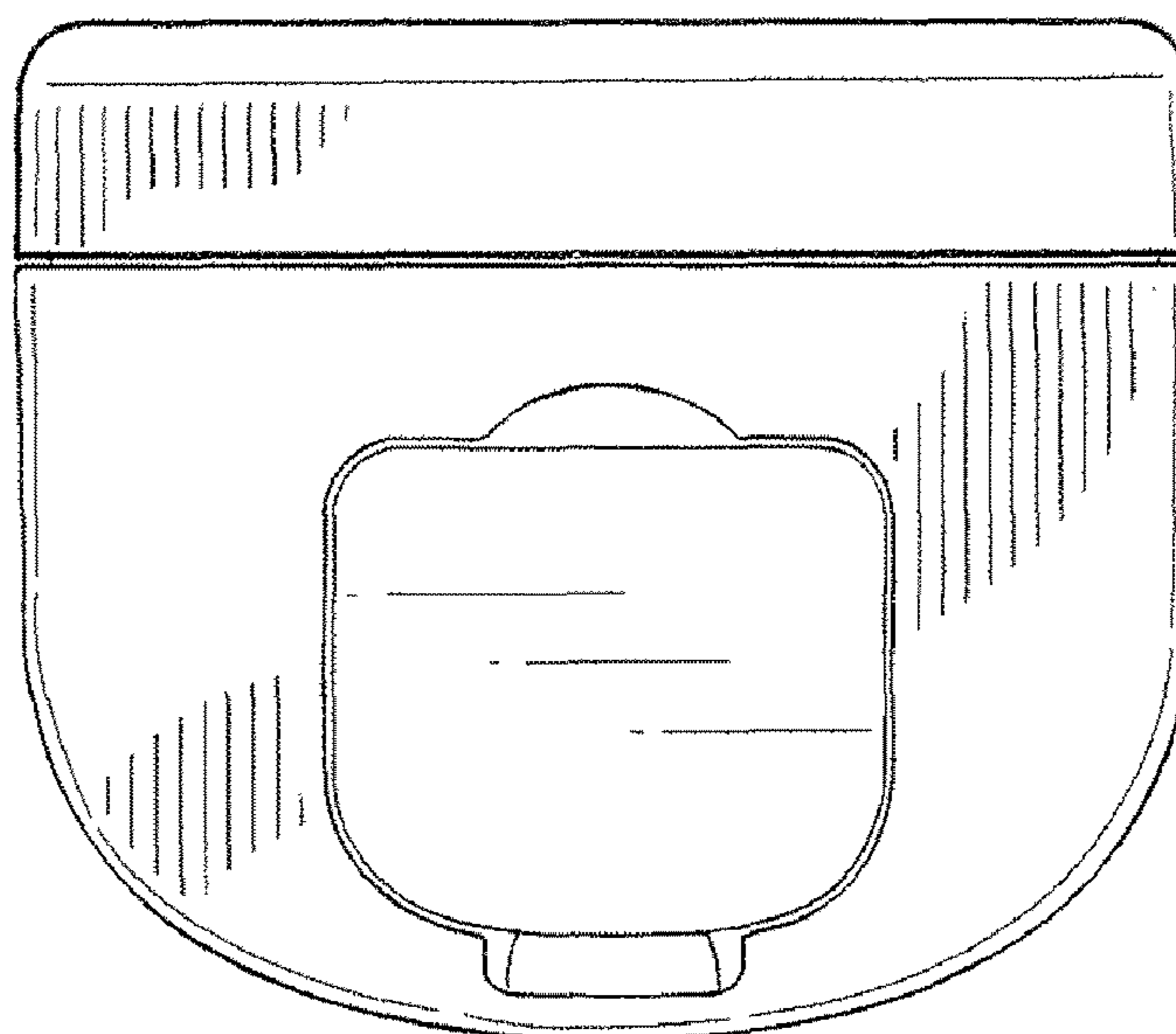


Fig. 15

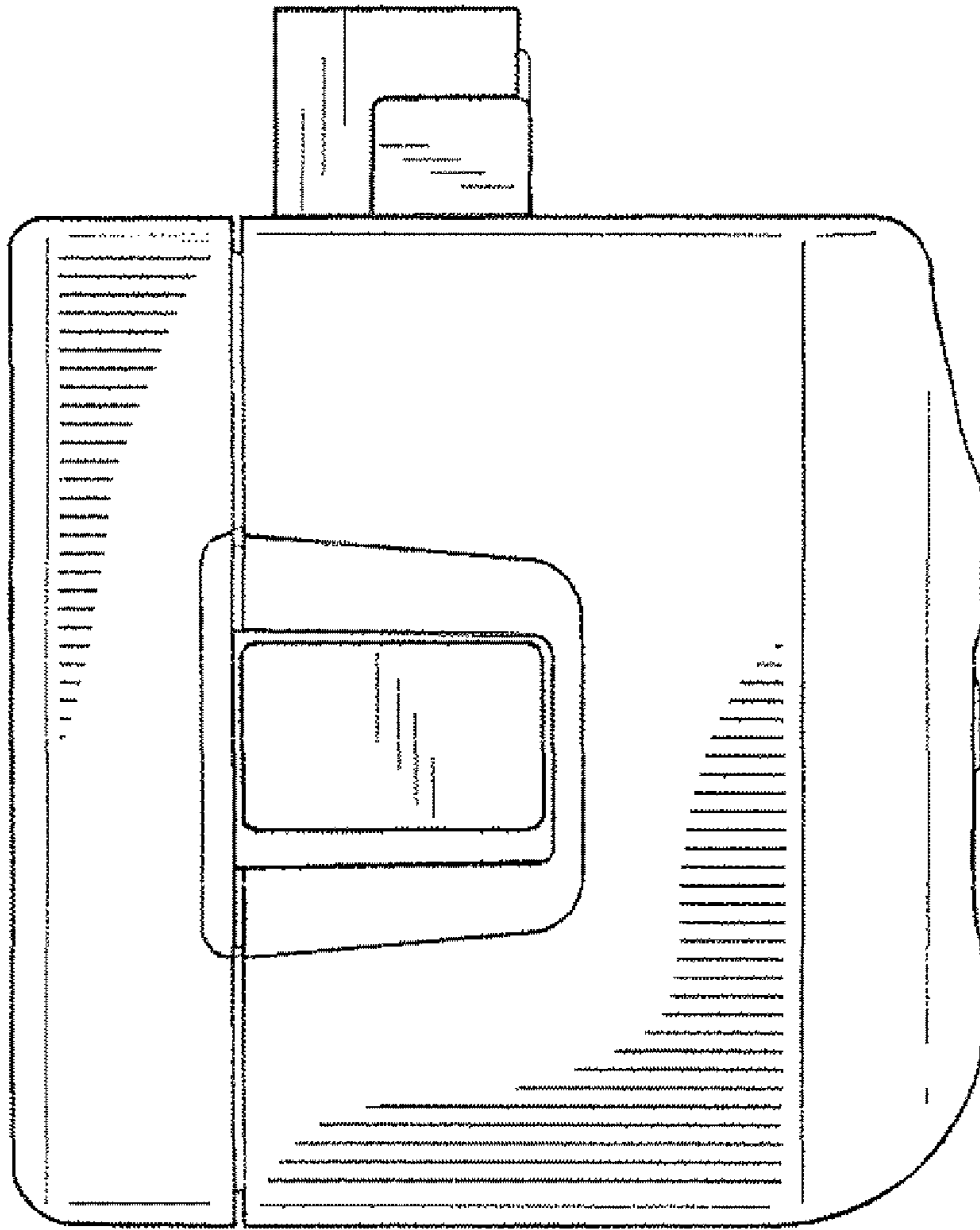


Fig. 16

Fig. 17

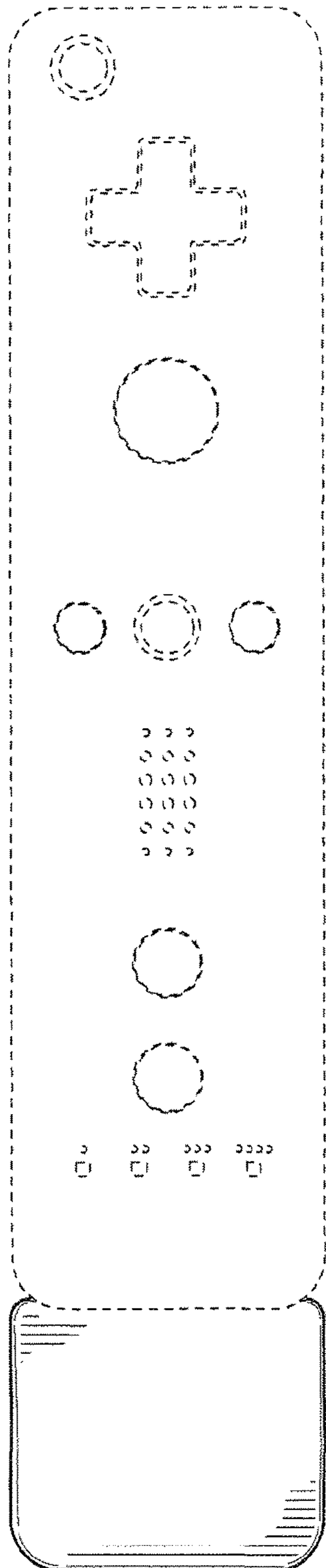


Fig. 18

