



US00D619964S

(12) **United States Design Patent**  
**Coushaine et al.**

(10) **Patent No.:** **US D619,964 S**  
(45) **Date of Patent:** **\*\* Jul. 20, 2010**

(54) **LIGHT EMITTING DIODE BULB CONNECTOR**

(75) Inventors: **Charles M. Coushaine**, Rindge, NH (US); **Kim Albright**, Warner, NH (US); **Thomas Tessnow**, Weare, NH (US)

(73) Assignee: **Osram Sylvania, Inc.**, Danvers, MA (US)

(\*\*) Term: **14 Years**

(21) Appl. No.: **29/261,348**

(22) Filed: **Jun. 13, 2006**

**Related U.S. Application Data**

(63) Continuation of application No. 11/109,917, filed on Apr. 20, 2005, now Pat. No. 7,092,612, and a continuation of application No. 11/058,304, filed on Feb. 16, 2005, now Pat. No. 7,110,656, and a continuation of application No. 10/838,090, filed on May 3, 2004, now Pat. No. 7,059,758, and a continuation of application No. 10/830,261, filed on Apr. 22, 2004, now Pat. No. 7,075,224.

(51) **LOC (9) Cl.** ..... **13-03**

(52) **U.S. Cl.** ..... **D13/134**

(58) **Field of Classification Search** ..... D13/123, D13/133, 134, 136, 179; 165/80.3, 104.33, 165/151, 122, 185; 257/706, 707, 718-722; 361/687, 695, 697, 700, 702, 704, 709, 710, 361/711, 719; 362/294

See application file for complete search history.

(56) **References Cited**

**U.S. PATENT DOCUMENTS**

4,978,857 A \* 12/1990 Juengel ..... 250/551

D423,453 S \* 4/2000 Tremaglio et al. .... D13/125  
6,384,407 B1 \* 5/2002 Frank ..... 250/239  
6,682,211 B2 1/2004 English et al.  
6,773,138 B2 8/2004 Coushaine  
6,955,451 B2 10/2005 Coushaine et al.  
6,991,355 B1 1/2006 Coushaine et al.  
7,008,095 B2 \* 3/2006 Coushaine et al. .... 362/545  
7,052,166 B2 \* 5/2006 Tessnow ..... 362/647  
7,059,748 B2 6/2006 Coushaine et al.  
D526,279 S \* 8/2006 Kotyk ..... D13/158

(Continued)

**OTHER PUBLICATIONS**

Notice of Allowance dated Oct. 13, 2009 from U.S. Appl. No. 29/339,890, Coushaine et al., Portion of a Light Emitting Diode Bulb Connector, filed Jul. 9, 2009.

Notice of Allowance dated Oct. 13, 2009 from U.S. Appl. No. 29/339,891, Coushaine, Light Emitting Diode Bulb Connector, filed Jul. 9, 2009.

Notice of Allowance dated Oct. 13, 2009 from U.S. Appl. No. 29/339,892, Coushaine et al., Light Emitting Diode Bulb Connector, filed Jul. 9, 2009.

Notice of Allowance dated Oct. 13, 2009 from U.S. Appl. No. 29/339,895, Coushaine et al., Light Emitting Diode Bulb Connector, filed Jul. 9, 2009.

*Primary Examiner*—Daniel D Bui

*Assistant Examiner*—Thomas J Johannes

(74) *Attorney, Agent, or Firm*—Sterne, Kessler, Goldstein & Fox, P.L.L.C.

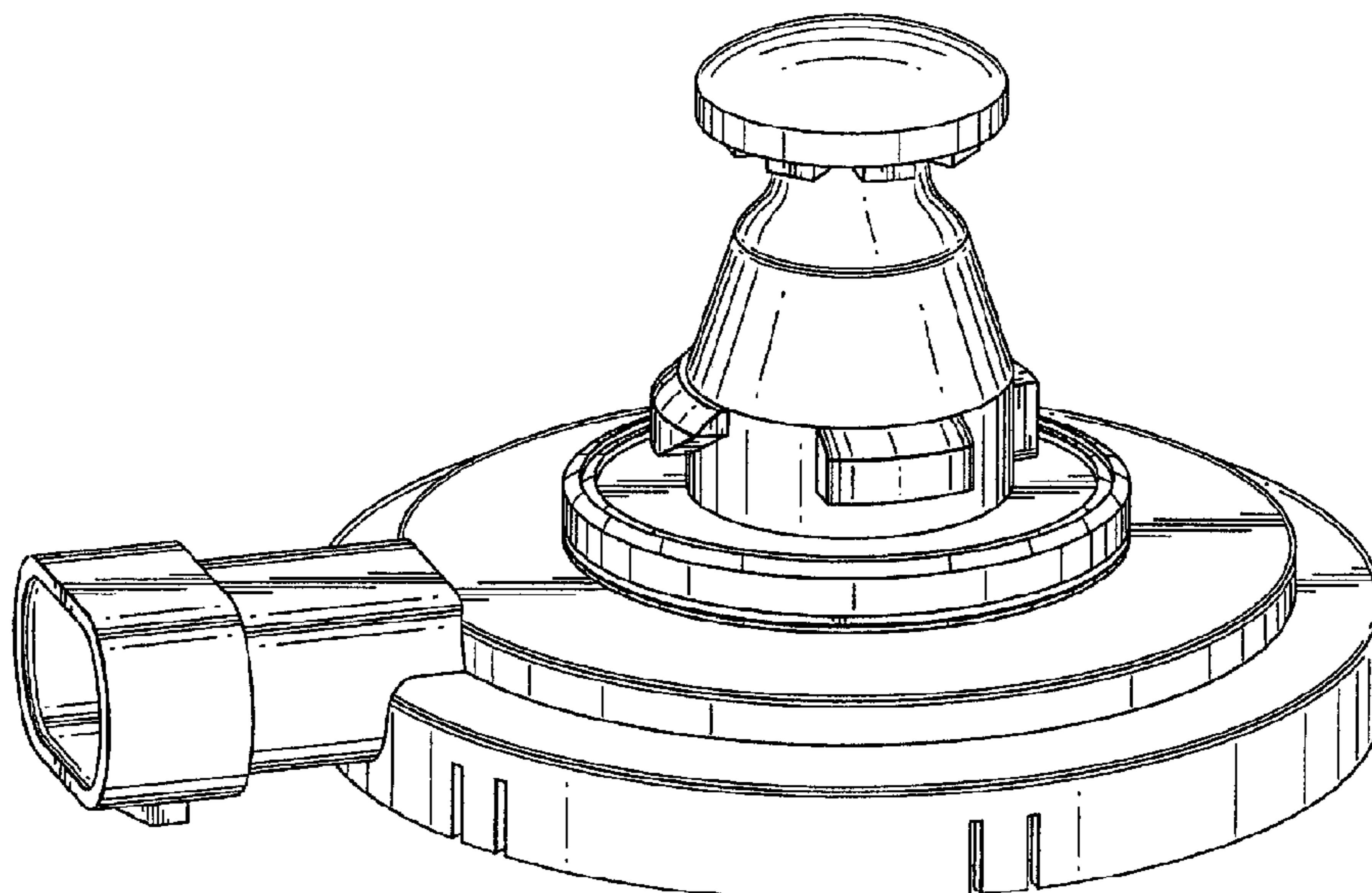
(57) **CLAIM**

The ornamental design for a light emitting diode bulb connector, as shown and described.

**DESCRIPTION**

The FIGURE is a perspective view of a light emitting diode bulb connector showing our new design.

**1 Claim, 1 Drawing Sheet**



# US D619,964 S

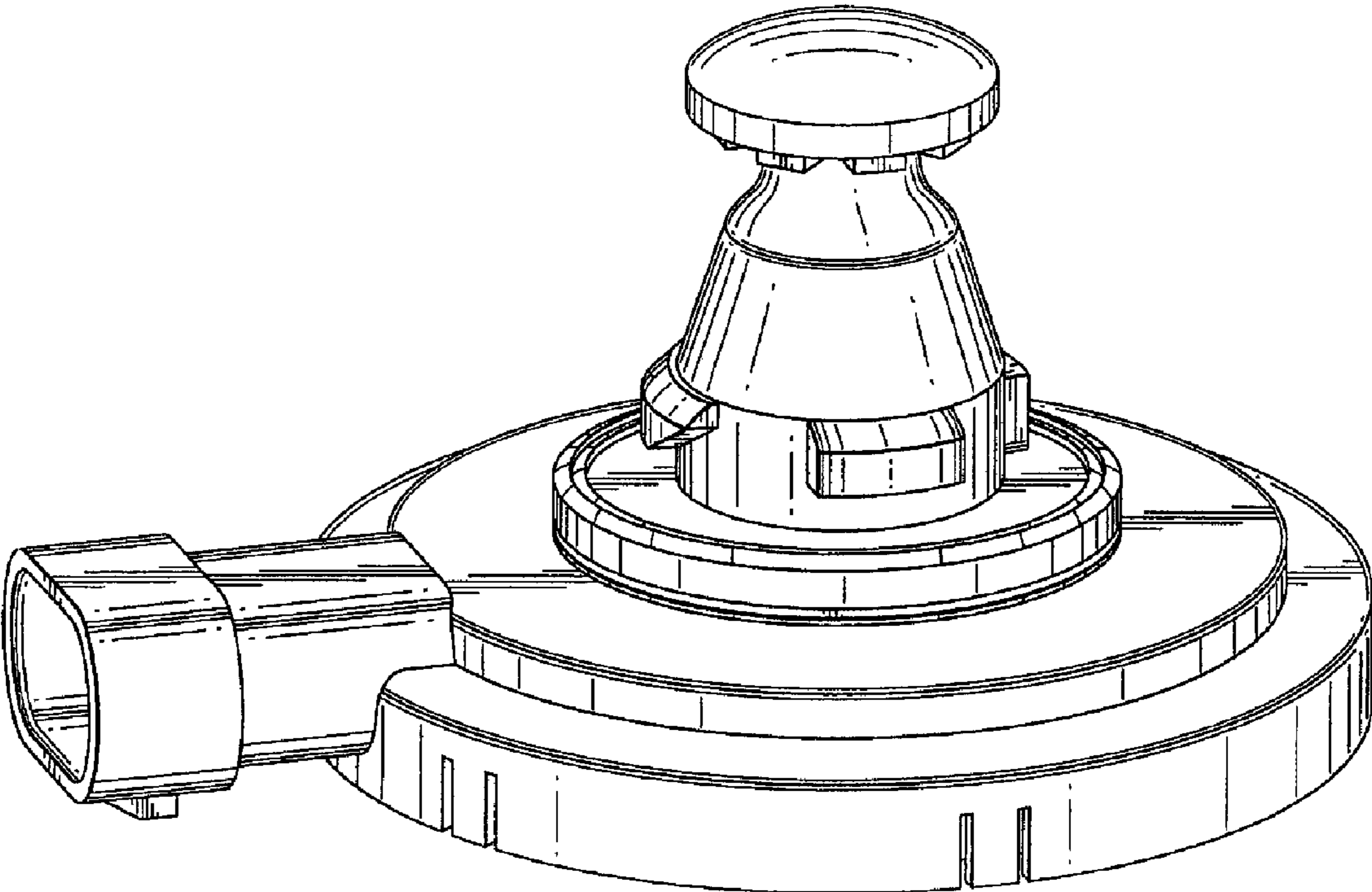
Page 2

---

## U.S. PATENT DOCUMENTS

|           |      |        |                  |       |         |              |      |         |                  |       |         |
|-----------|------|--------|------------------|-------|---------|--------------|------|---------|------------------|-------|---------|
| 7,093,958 | B2   | 8/2006 | Coushaine        |       |         |              |      |         |                  |       |         |
| 7,111,971 | B2 * | 9/2006 | Coushaine et al. | ..... | 362/545 |              |      |         |                  |       |         |
| 7,166,955 | B2 * | 1/2007 | Coushaine et al. | ..... | 313/46  |              |      |         |                  |       |         |
| 7,186,010 | B2 * | 3/2007 | Coushaine et al. | ..... | 362/547 |              |      |         |                  |       |         |
| D542,738  | S *  | 5/2007 | Pollard          | ..... | D13/165 |              |      |         |                  |       |         |
| 7,360,925 | B2   | 4/2008 | Coushaine        |       |         |              |      |         |                  |       |         |
|           |      |        |                  |       |         | D573,111     | S *  | 7/2008  | Liu et al.       | ..... | D13/179 |
|           |      |        |                  |       |         | D586,751     | S *  | 2/2009  | Coushaine et al. | ..... | D13/134 |
|           |      |        |                  |       |         | 2005/0047145 | A1 * | 3/2005  | Coushaine et al. | ..... | 362/294 |
|           |      |        |                  |       |         | 2005/0243559 | A1 * | 11/2005 | Coushaine et al. | ..... | 362/294 |
|           |      |        |                  |       |         | 2006/0126328 | A1 * | 6/2006  | Coushaine        | ..... | 362/247 |
|           |      |        |                  |       |         | 2007/0047251 | A1 * | 3/2007  | Sanroma et al.   | ..... | 362/545 |

\* cited by examiner



FIGURE