



US00D619963S

(12) **United States Design Patent**
Hou

(10) **Patent No.:** **US D619,963 S**

(45) **Date of Patent:** **** Jul. 20, 2010**

(54) **USB CABLE**

D588,545 S * 3/2009 Andre et al. D13/154
D600,652 S * 9/2009 Hong et al. D13/154

(75) Inventor: **Hsiang-Fei Hou**, Tu-Cheng (TW)

* cited by examiner

(73) Assignee: **Cheng UEI Precision Industry Co., Ltd.**, Tu-Cheng, Taipei Hsien (TW)

Primary Examiner—Daniel D Bui

(74) *Attorney, Agent, or Firm*—Cheng-Ju Chiang

(**) Term: **14 Years**

(57) **CLAIM**

(21) Appl. No.: **29/353,966**

The ornamental design for a USB cable, as shown and described.

(22) Filed: **Jan. 17, 2010**

(51) **LOC (9) Cl.** **13-03**

(52) **U.S. Cl.** **D13/133; D13/147**

(58) **Field of Classification Search** D13/133,
D13/153, 156, 146–147, 154, 184; 439/180,
439/344, 350, 447, 607–610, 660, 676–677,
439/680–682

See application file for complete search history.

DESCRIPTION

FIG. 1 is a perspective view of a USB cable showing my new design;

FIG. 2 is a front elevational view thereof;

FIG. 3 is a rear elevational view thereof;

FIG. 4 is a left side elevational view thereof;

FIG. 5 is a right side elevational view thereof;

FIG. 6 is a top plan view thereof;

FIG. 7 is a bottom plan view thereof; and,

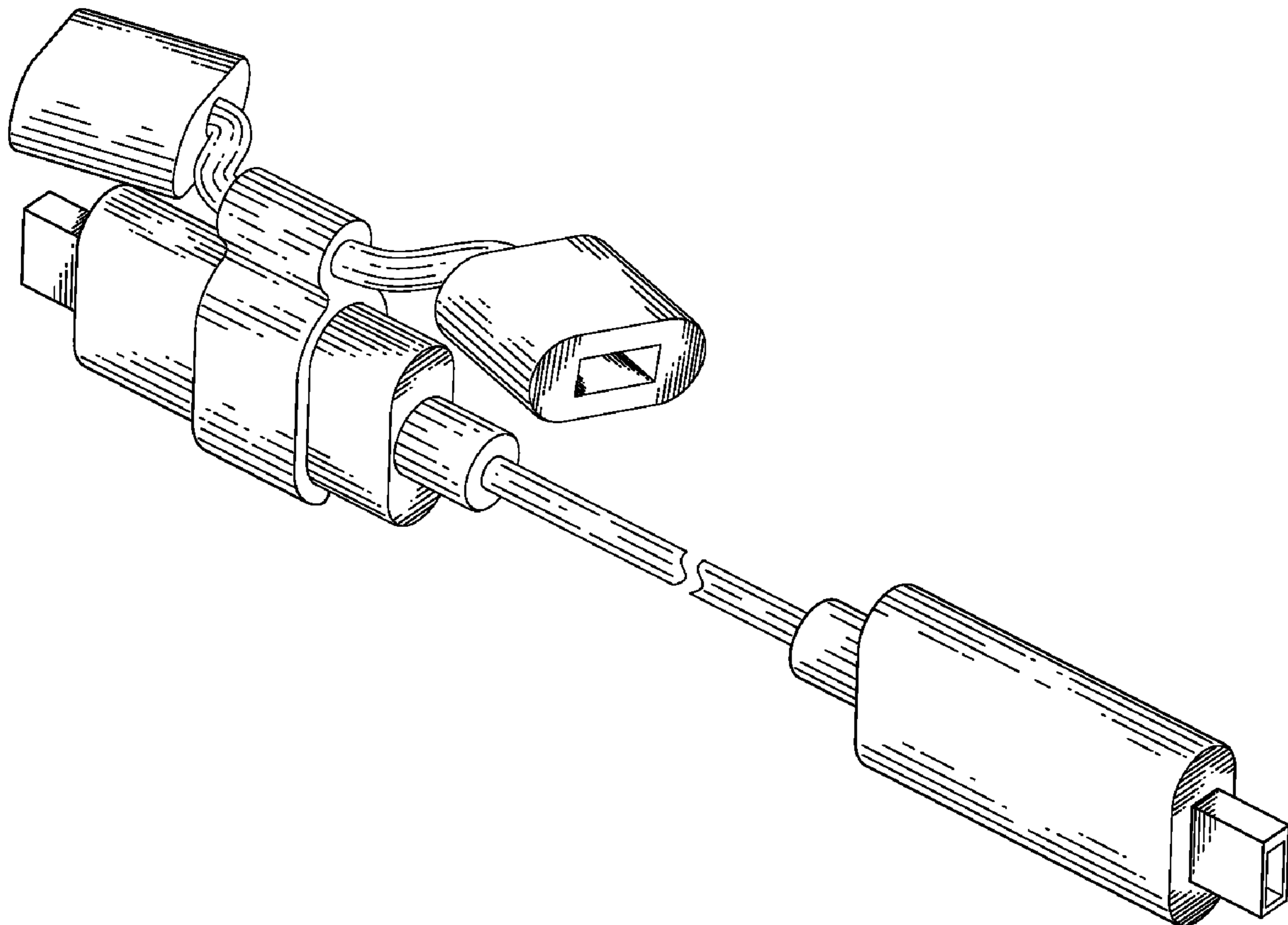
FIG. 8 is a perspective view showing the USB cable in a using state.

(56) **References Cited**

U.S. PATENT DOCUMENTS

D473,848 S * 4/2003 Zheng et al. D13/147
D549,660 S * 8/2007 Zenri et al. D13/147
D571,296 S * 6/2008 Kuo et al. D13/147
D585,384 S * 1/2009 Andre et al. D13/154
D585,835 S * 2/2009 Jaqua et al. D13/154

1 Claim, 8 Drawing Sheets



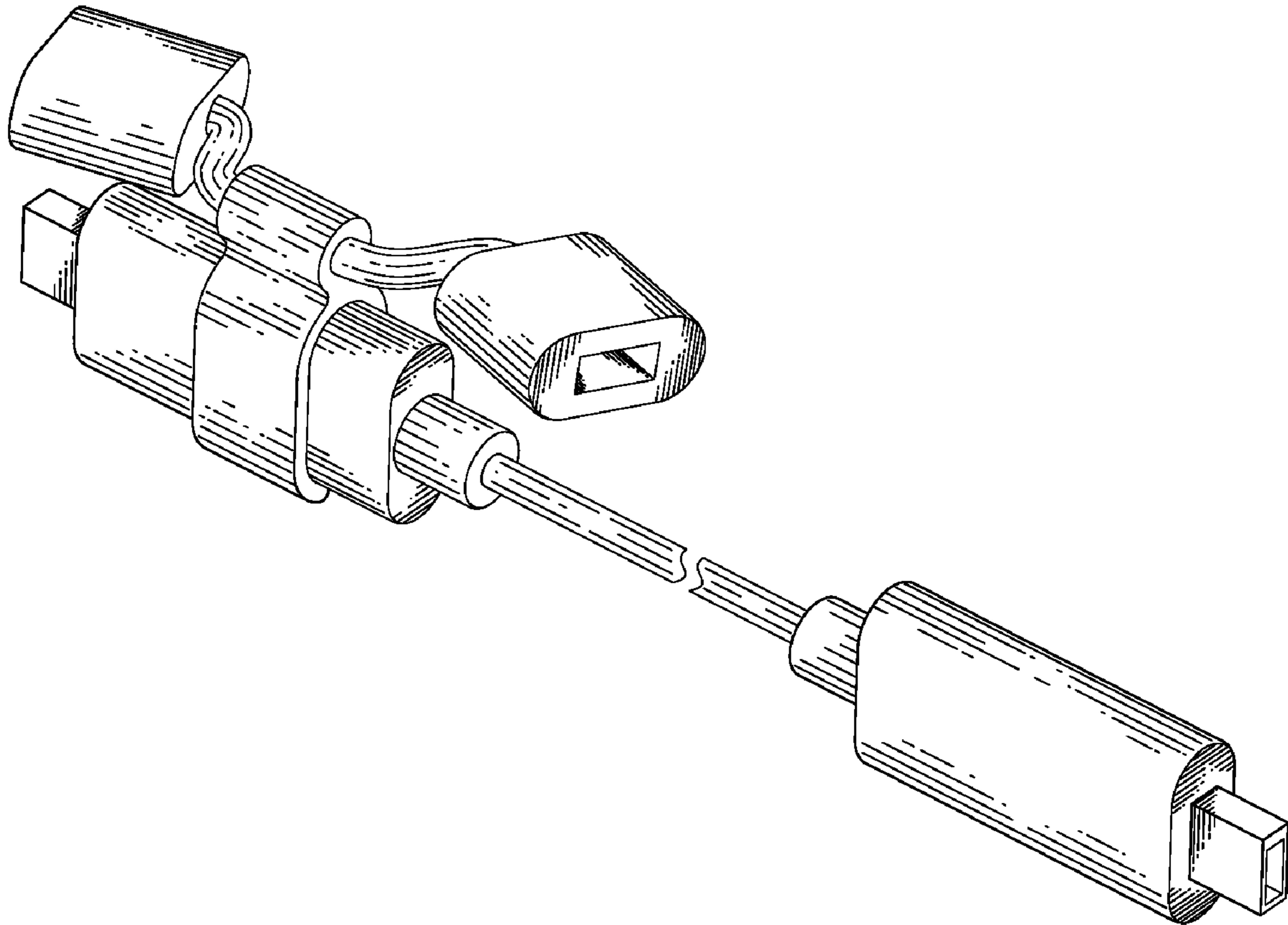


FIG. 1

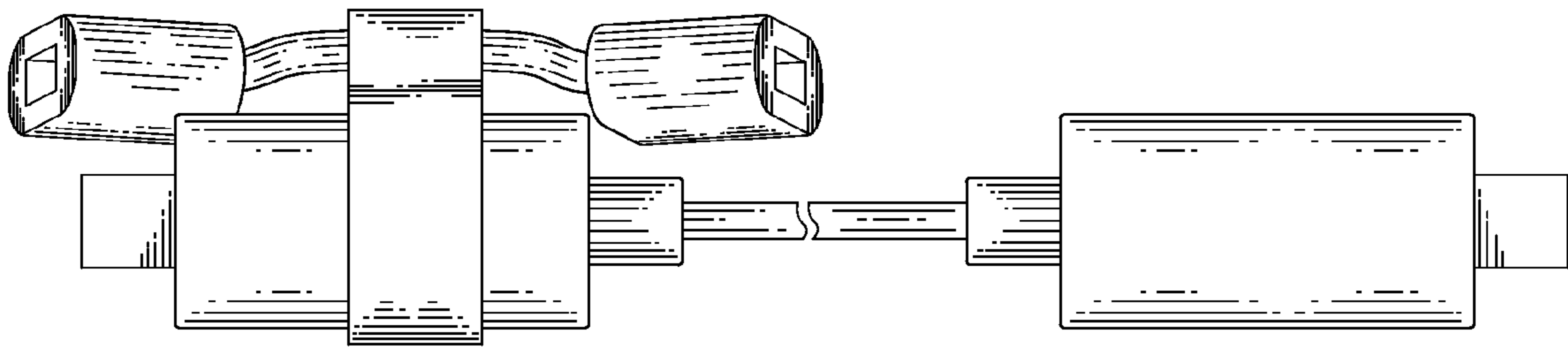


FIG. 2

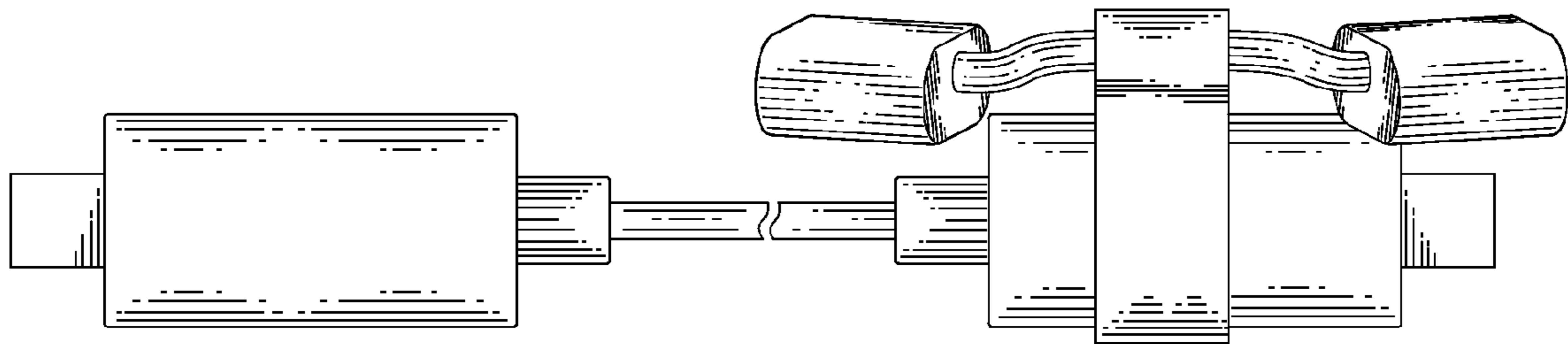


FIG. 3

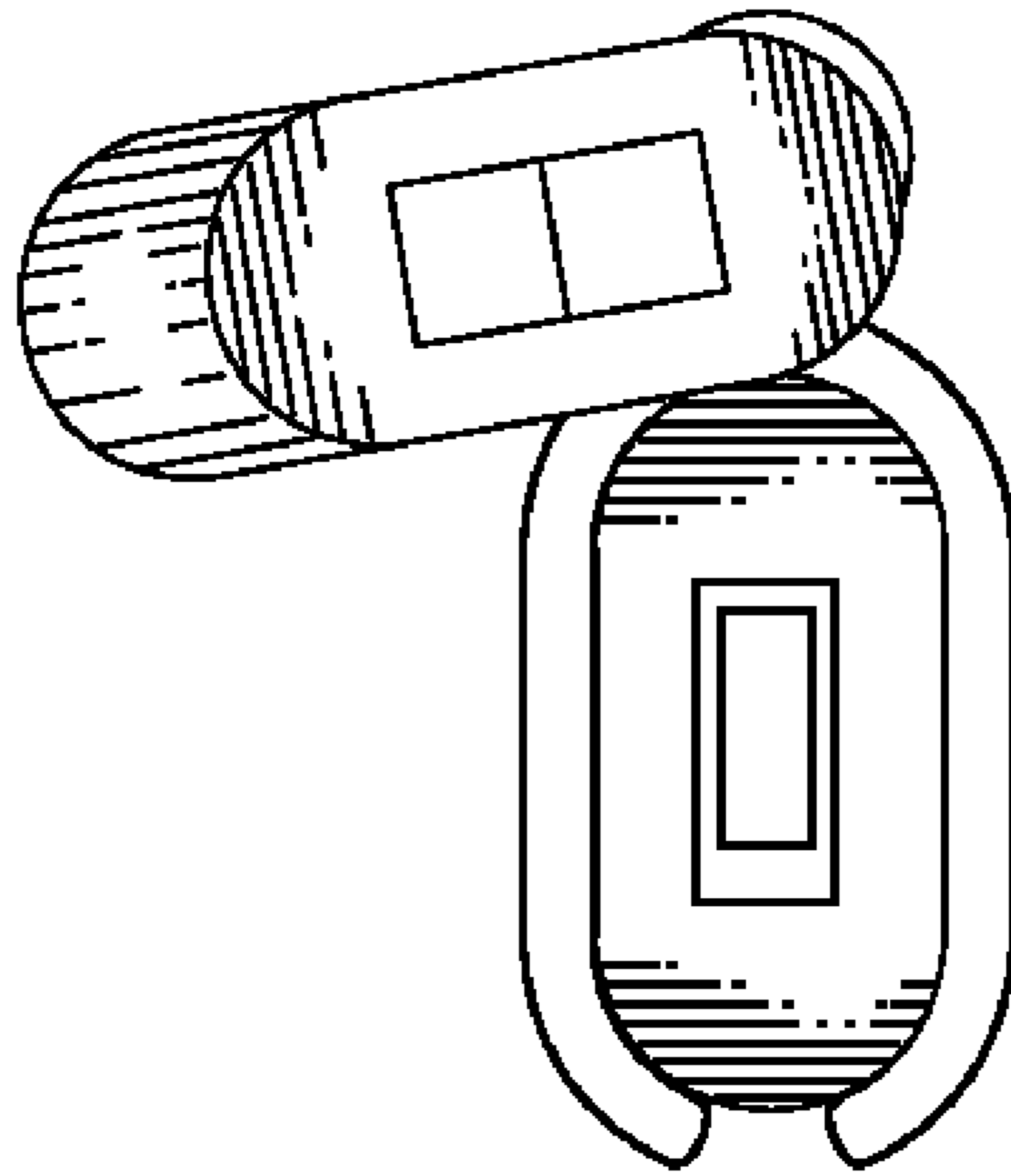


FIG. 4

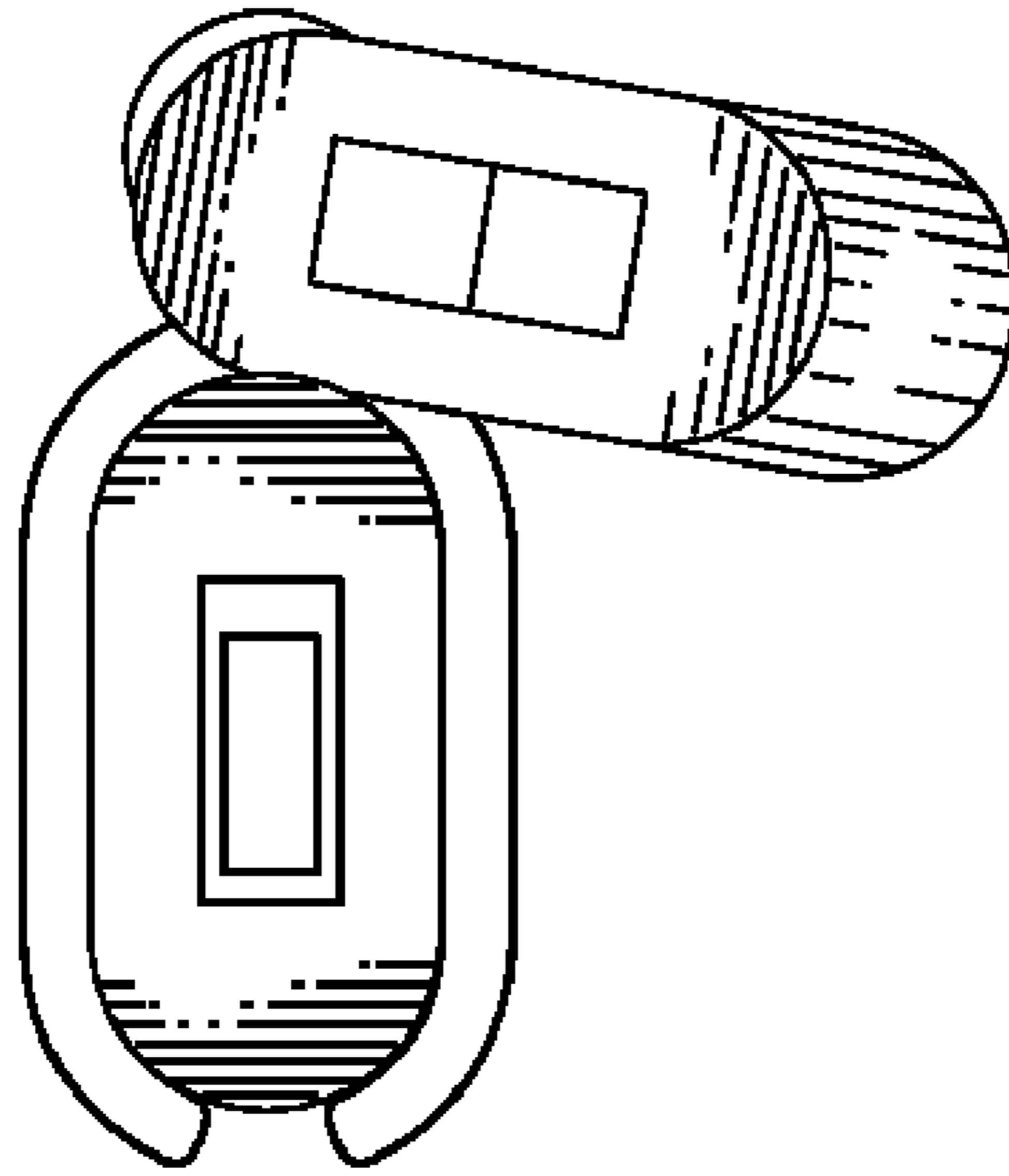


FIG. 5

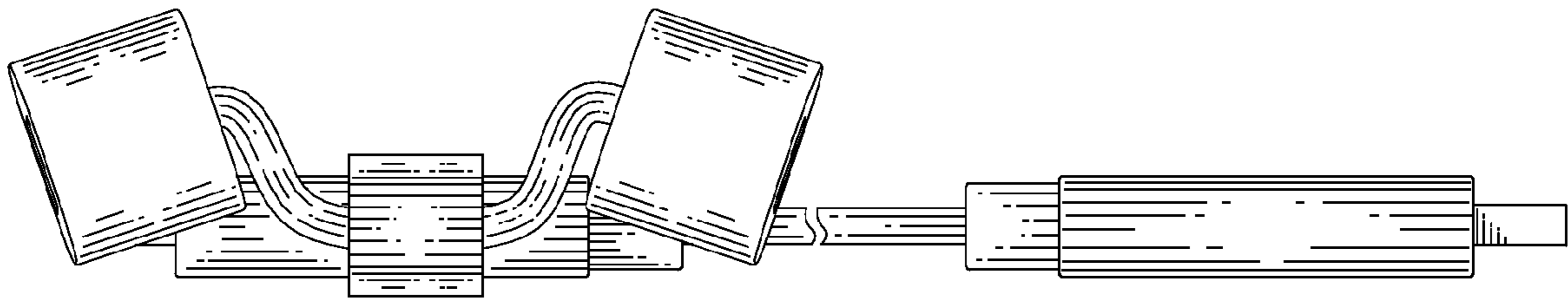


FIG. 6

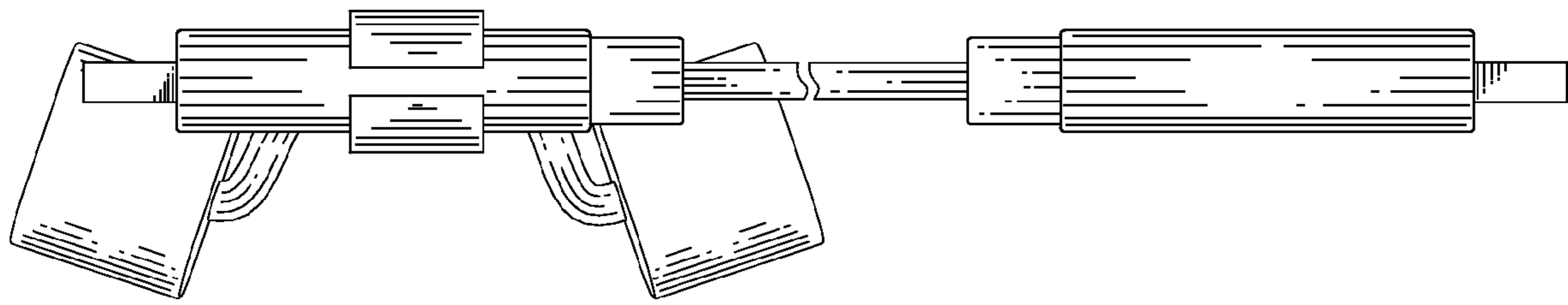


FIG. 7

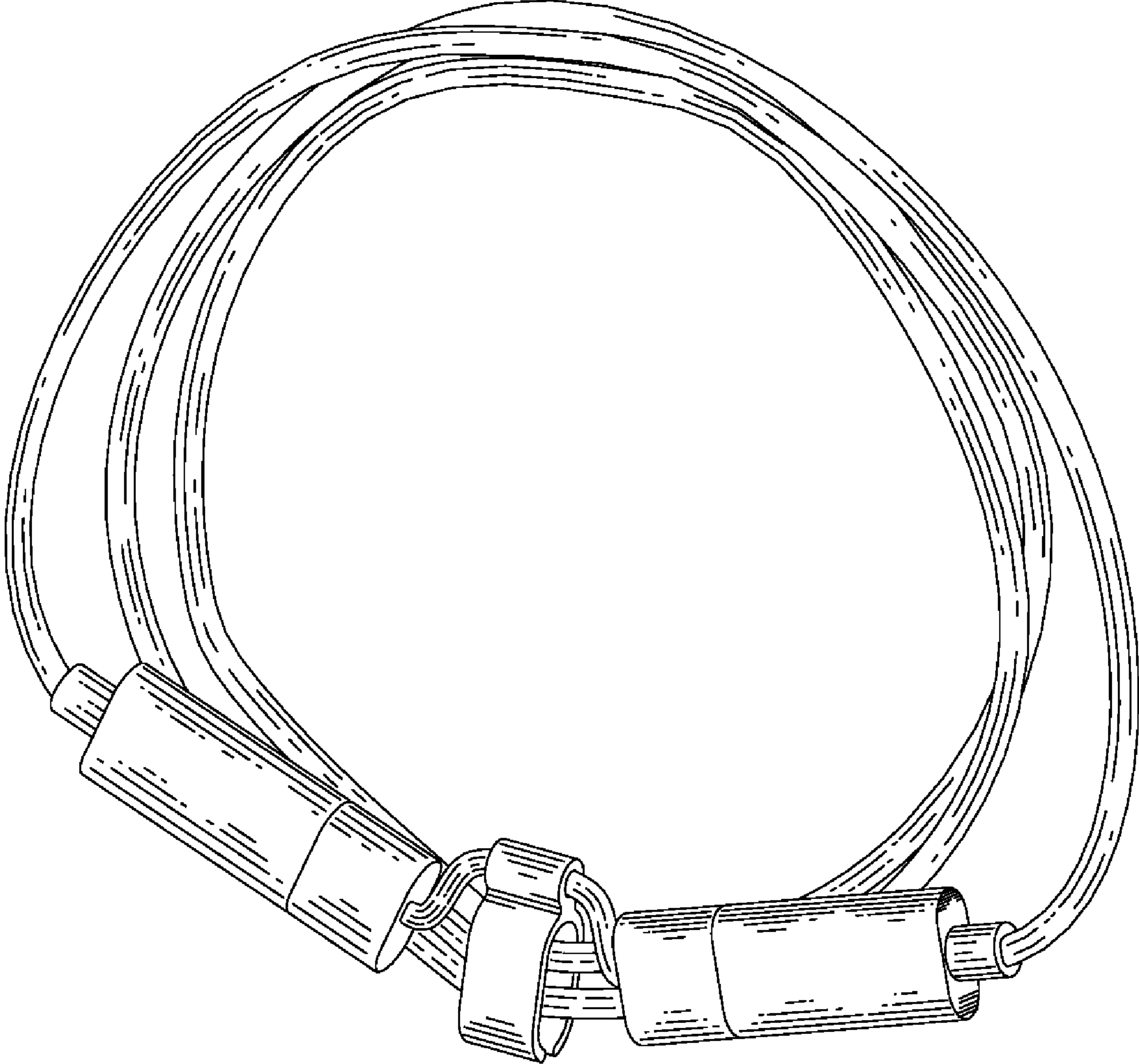


FIG. 8