



US00D619962S

(12) **United States Design Patent**
Gardner et al.

(10) **Patent No.:** **US D619,962 S**

(45) **Date of Patent:** **** Jul. 20, 2010**

(54) **SERVO THROTTLE MOTOR SHIELD**

D530,278 S * 10/2006 Lyle et al. D13/122

(76) Inventors: **Glen Gardner**, 107 Aeries Ave.,
Cascade, IA (US) 52033; **Robert**
Michael Knepper, 107 Aeries Ave.,
Cascade, IA (US) 52033

* cited by examiner

Primary Examiner—Prabhakar Deshmukh

Assistant Examiner—Derrick Holland

(74) *Attorney, Agent, or Firm*—Ryan N. Carter; Glenn
Johnson

(**) Term: **14 Years**

(21) Appl. No.: **29/350,265**

(57) **CLAIM**

(22) Filed: **Nov. 13, 2009**

The ornamental design for a servo throttle motor shield, as
shown and described.

(51) **LOC (9) Cl.** **13-01**

(52) **U.S. Cl.** **D13/122**

(58) **Field of Classification Search** D13/122,
D13/101, 118, 184, 199; D8/349, 354, 382;
D12/114, 126, 223; D15/5, 199; 180/84,
180/232; 280/288.4; 310/85, 88, 89, 91,
310/273, 400

DESCRIPTION

See application file for complete search history.

FIG. 1 is a perspective view of a servo throttle motor shield
showing our new design;

FIG. 2 is a first side view;

FIG. 3 is a second side view;

FIG. 4 is a first end view;

FIG. 5 is a second end view;

FIG. 6 is a top view;

FIG. 7 is a bottom view; and,

FIG. 8 is a second perspective view showing the servo throttle
motor shield in environmental use.

(56) **References Cited**

U.S. PATENT DOCUMENTS

D411,148 S * 6/1999 Swenson et al. D12/126

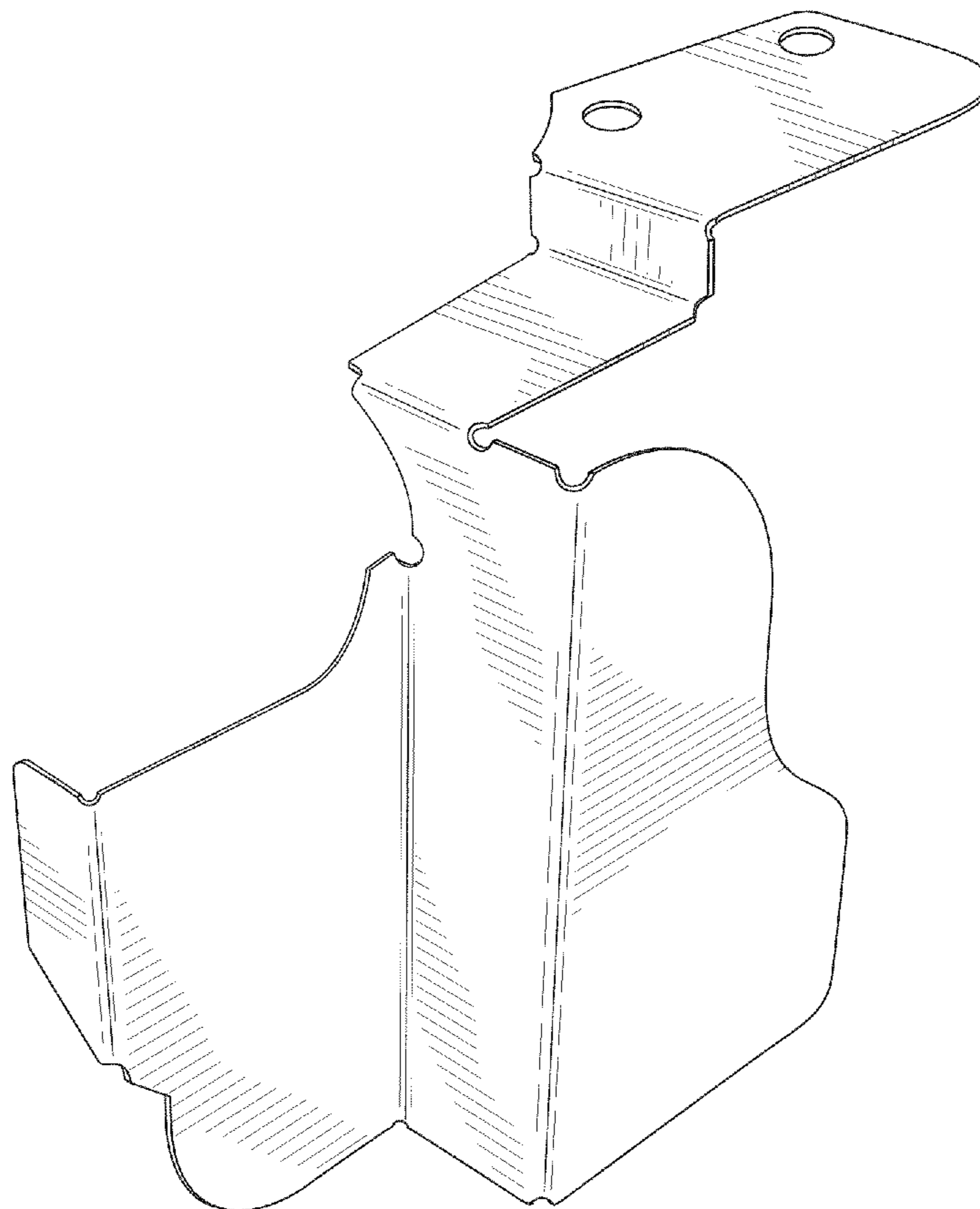
D416,227 S * 11/1999 Egan D13/122

6,005,471 A * 12/1999 Higashikata et al. 337/347

D427,888 S * 7/2000 Hannon D8/354

D515,985 S * 2/2006 Kishi et al. D12/126

1 Claim, 6 Drawing Sheets



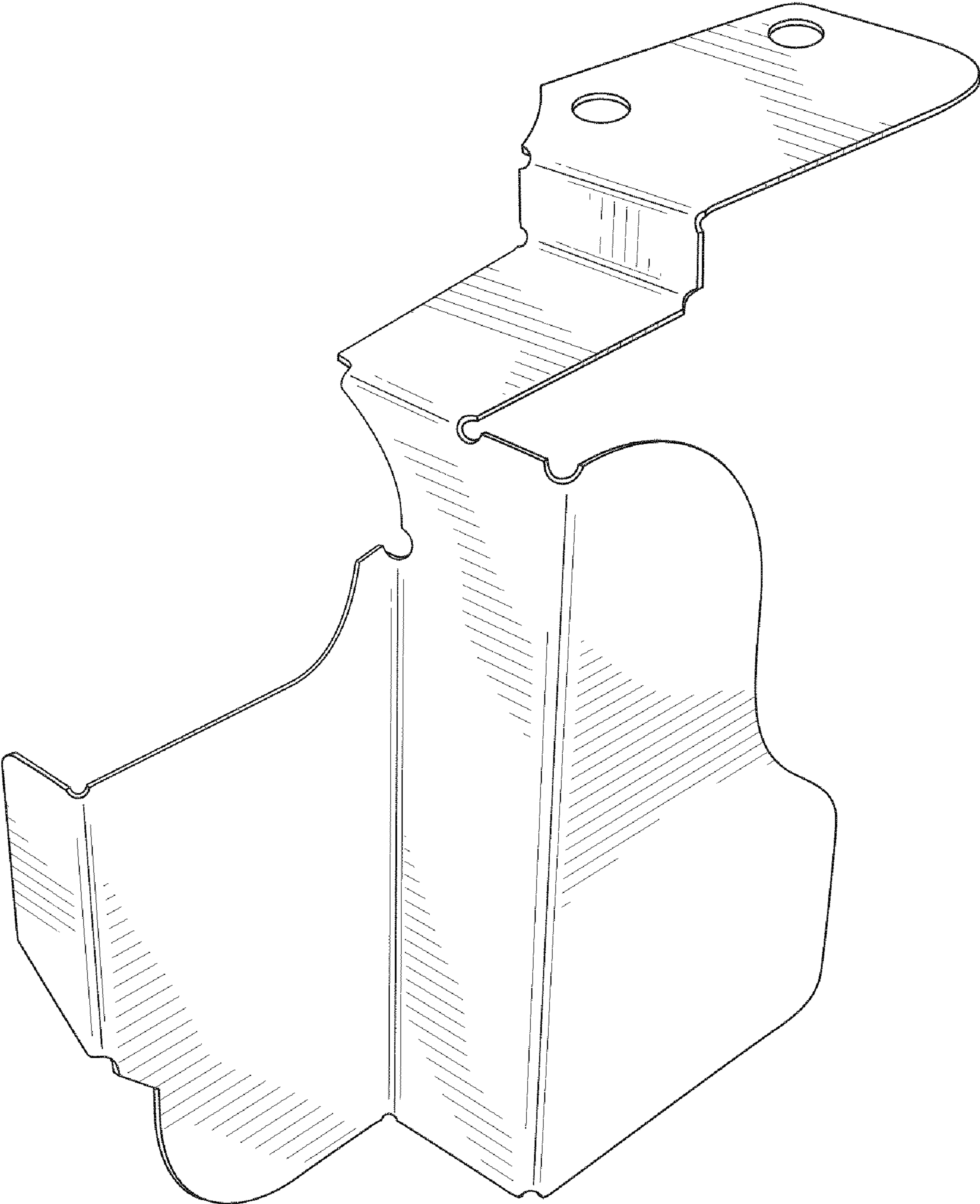


FIG. 1

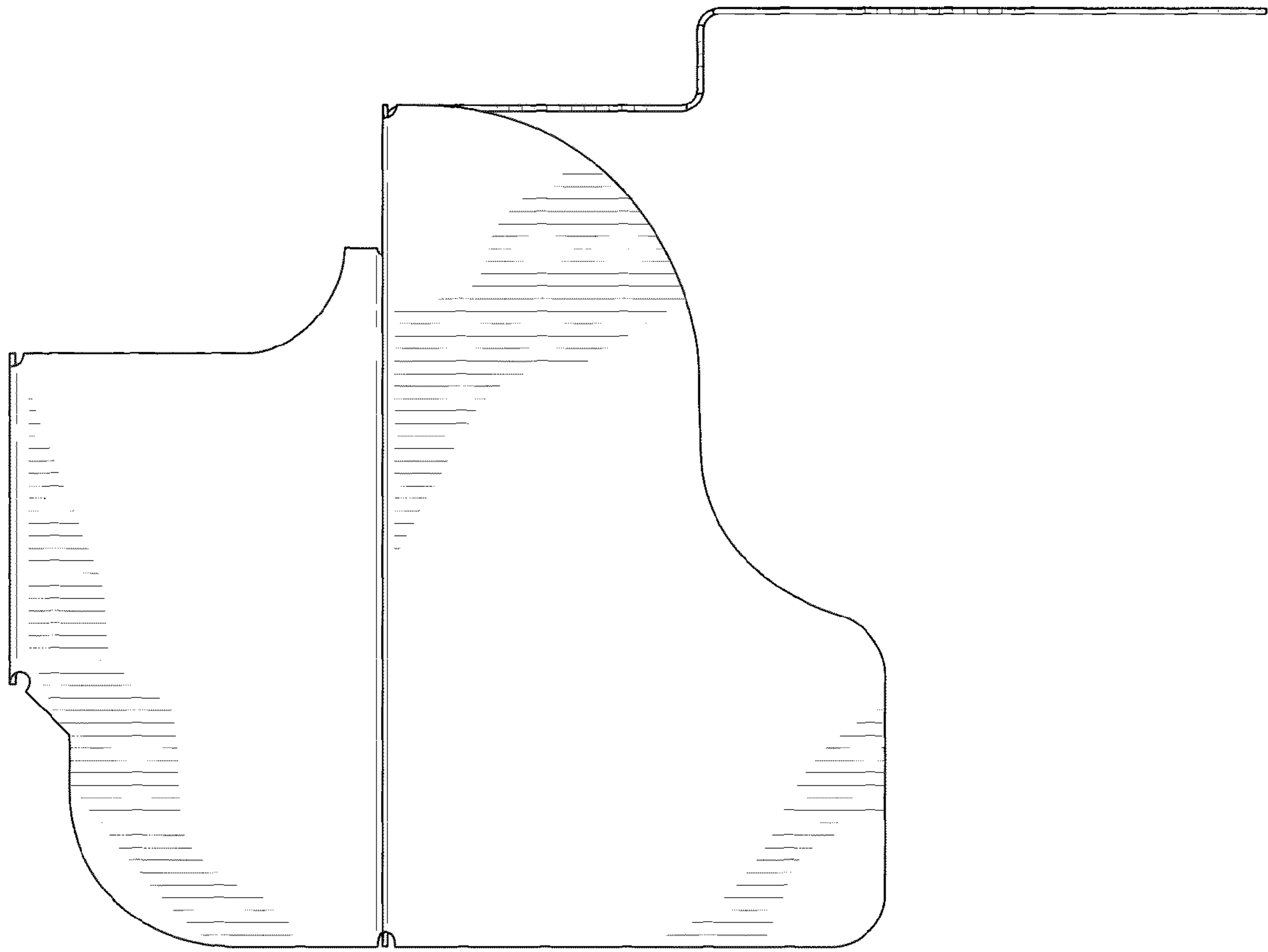


FIG. 2

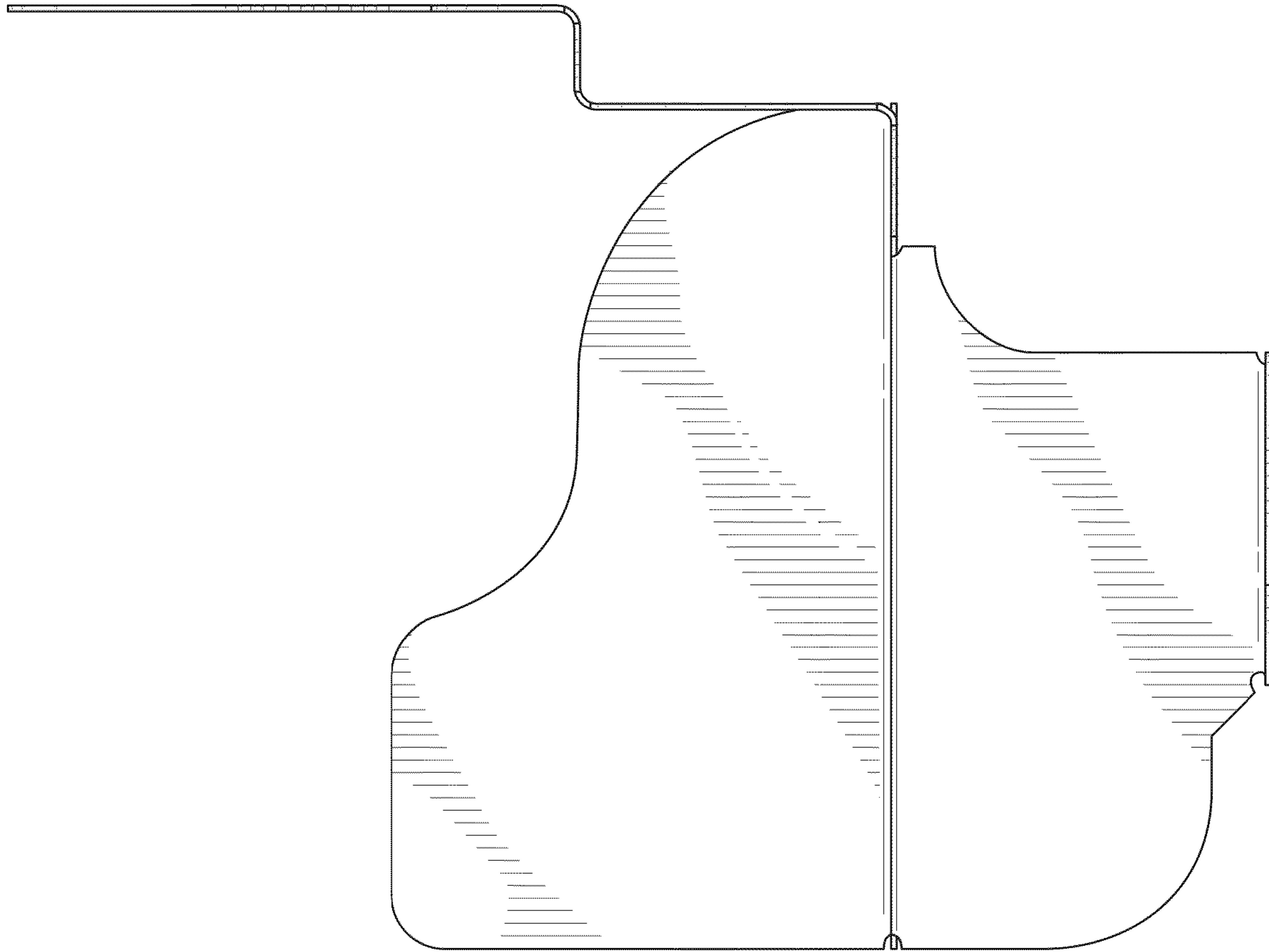


FIG. 3

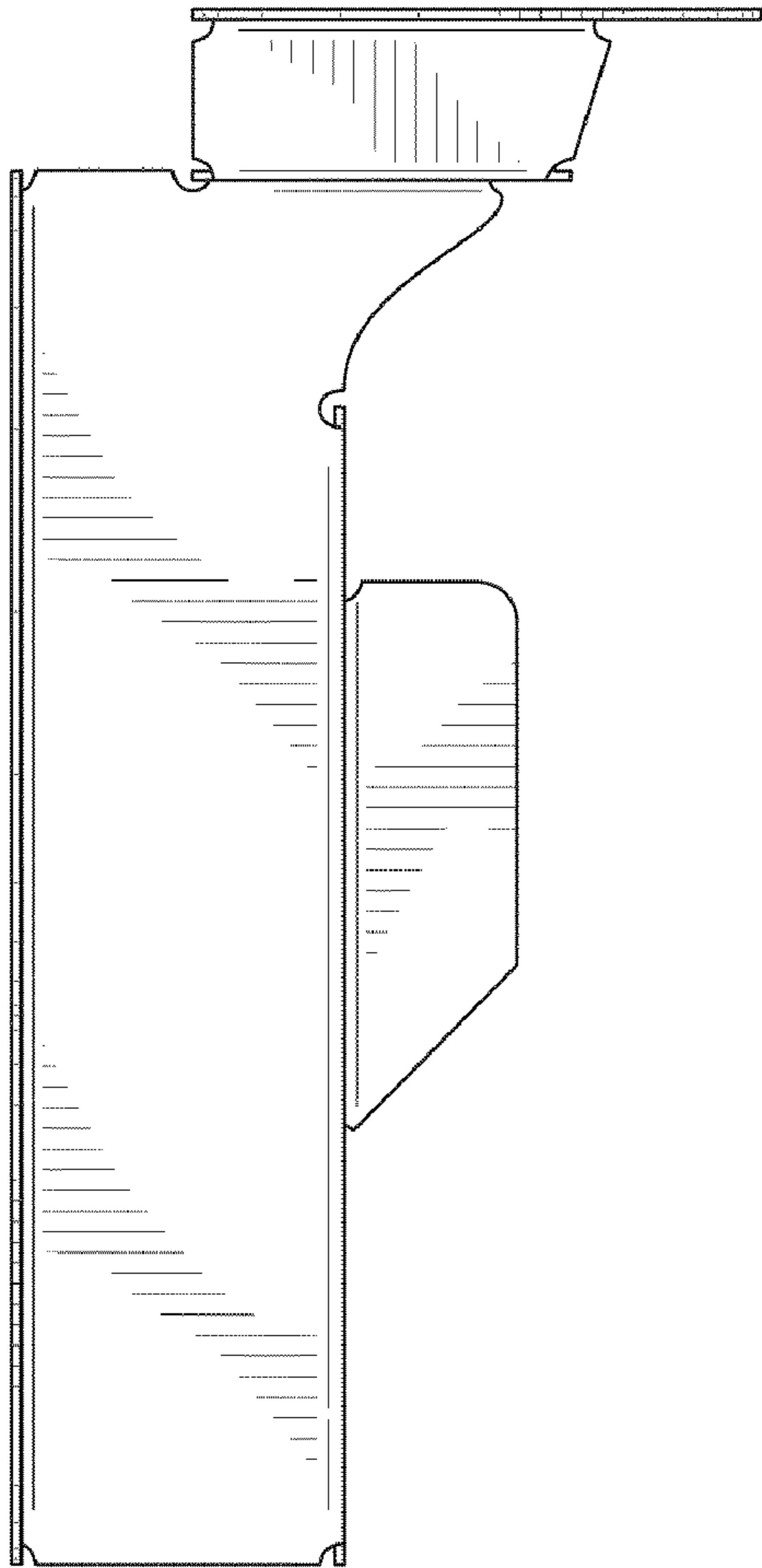


FIG. 4

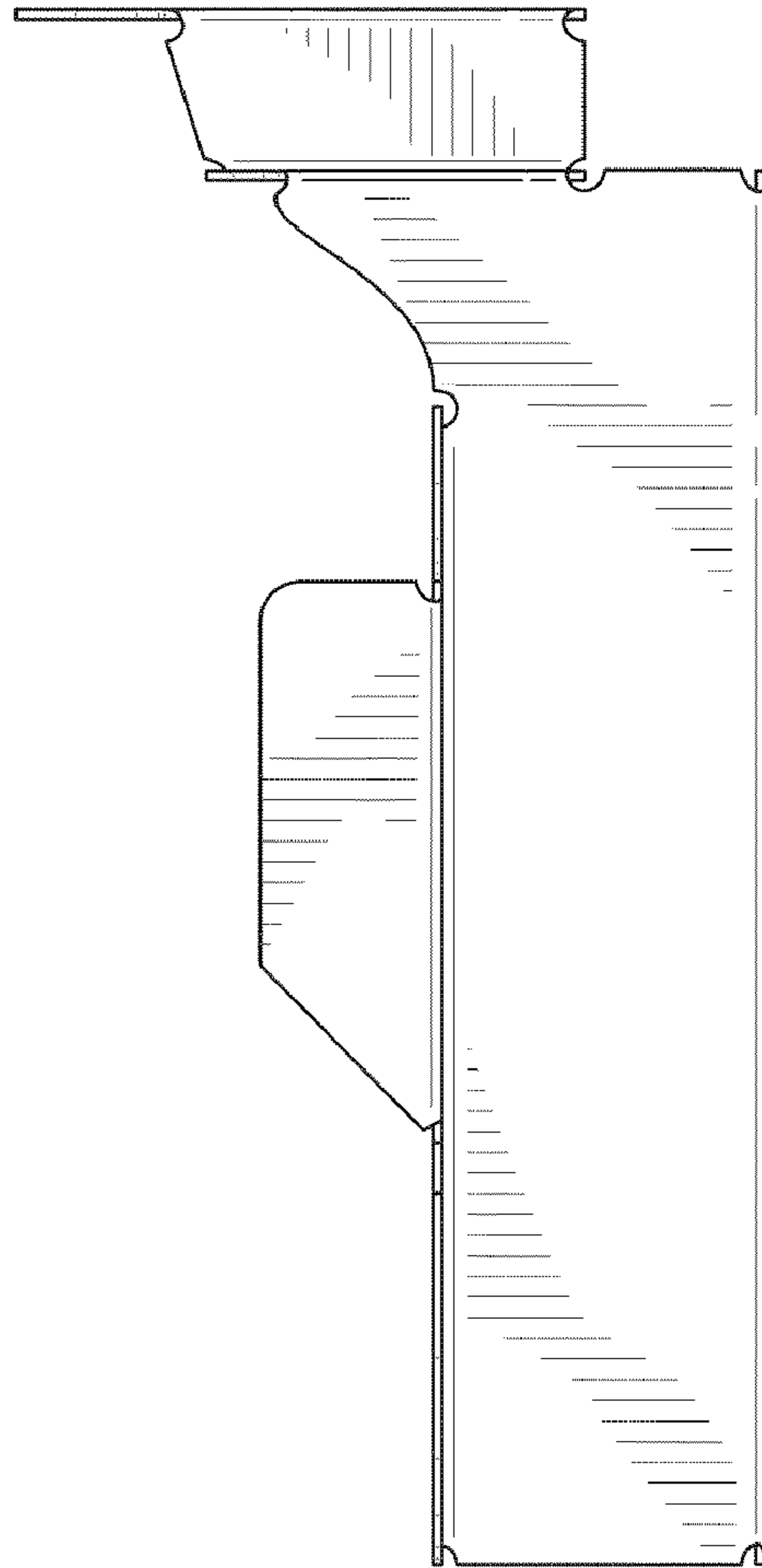


FIG. 5

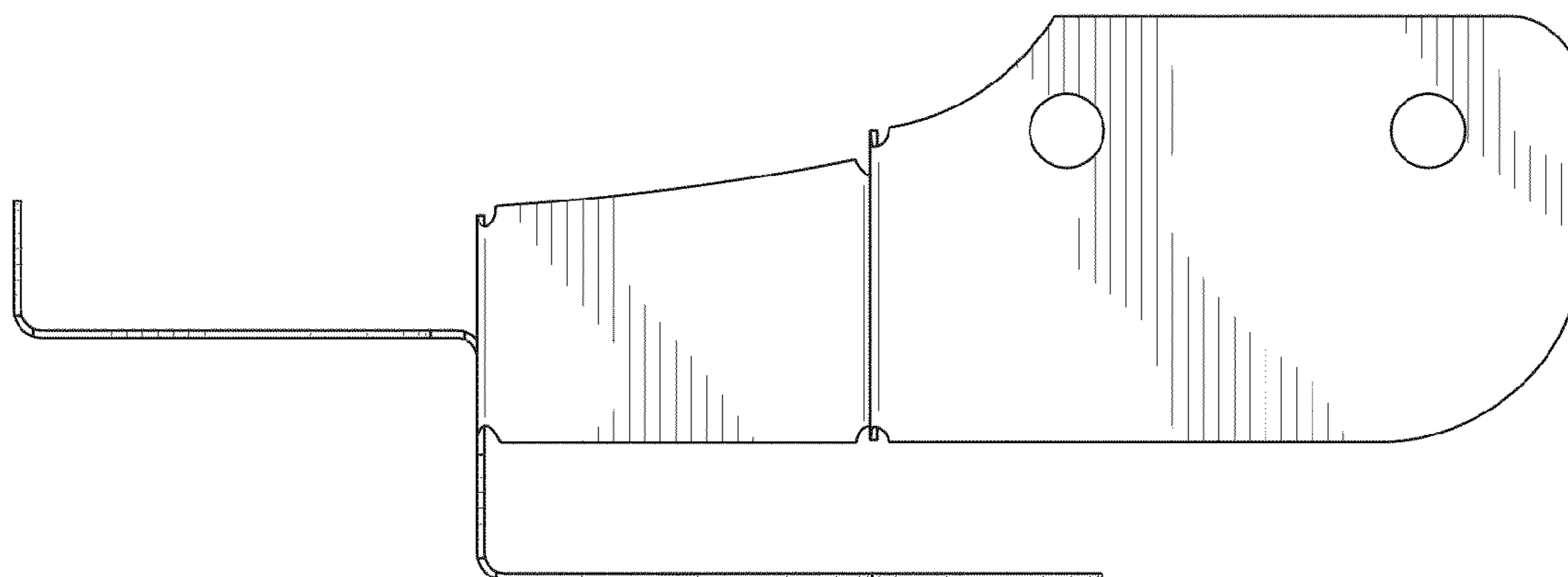


FIG. 6

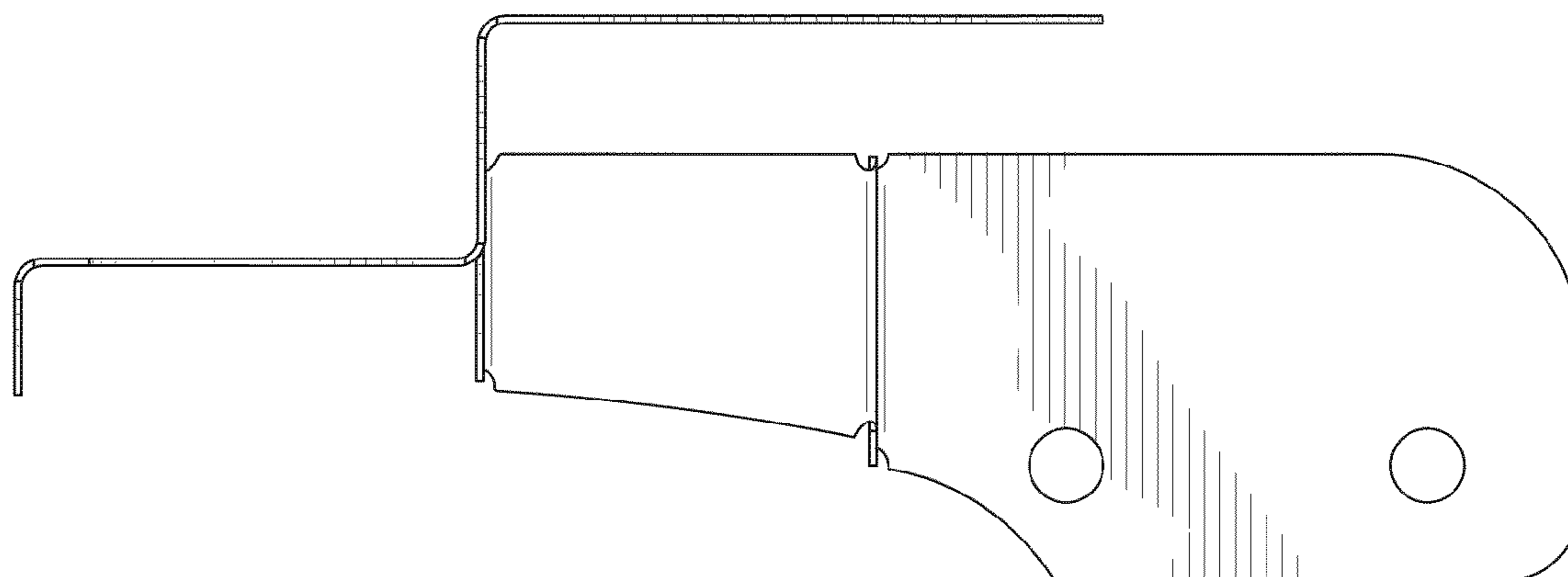


FIG. 7

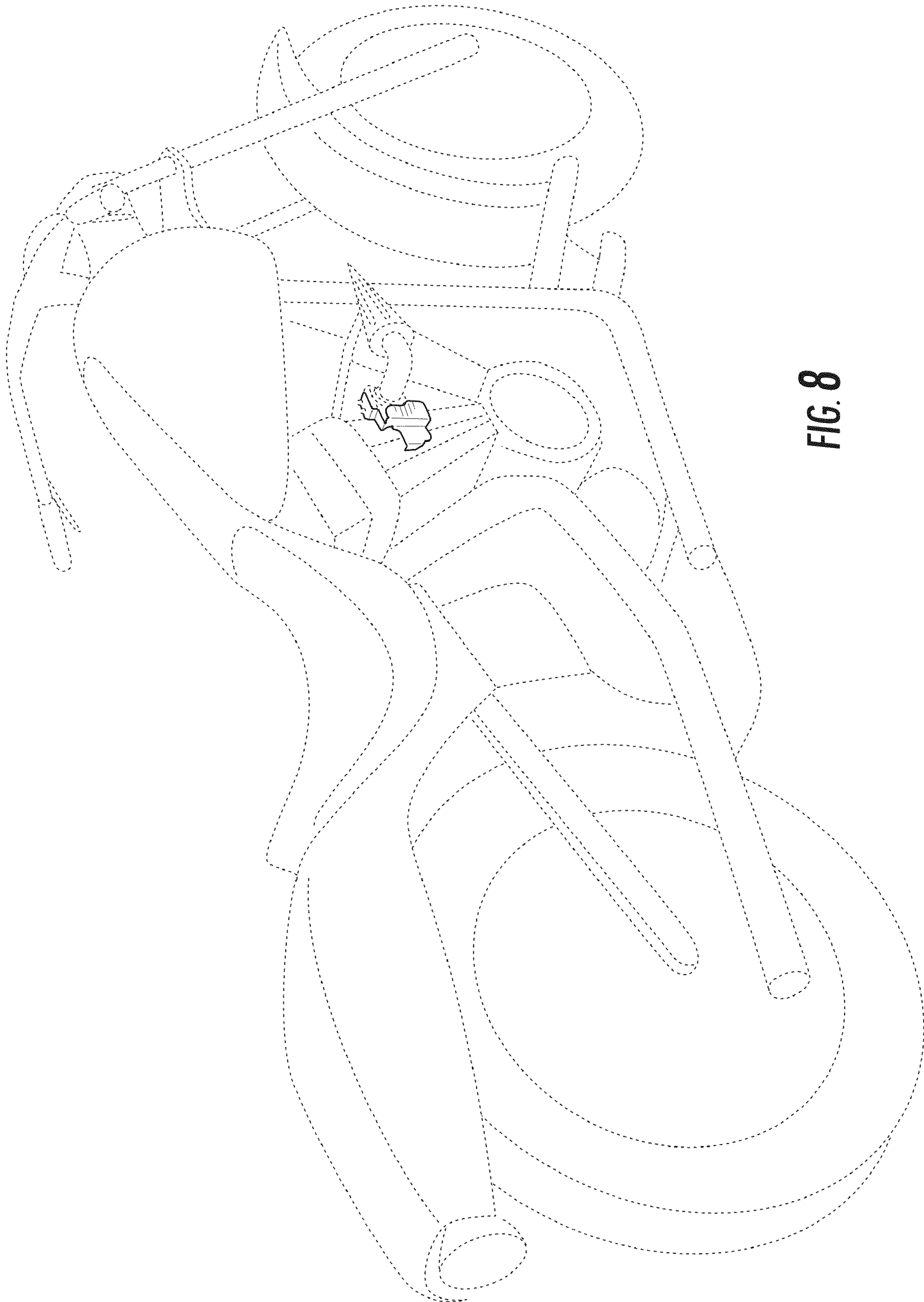


FIG. 8