



US00D619960S

(12) **United States Design Patent**  
**Winkler**

(10) **Patent No.:** **US D619,960 S**  
(45) **Date of Patent:** **\*\* Jul. 20, 2010**

(54) **APPARATUS FOR GENERATING,  
DISTRIBUTING OR CONVERTING  
ELECTRICAL ENERGY**

(75) Inventor: **Gerald Winkler**, Herzogenaurach (DE)

(73) Assignees: **Ellenberger & Poensgen GmbH**,  
Altdorf (DE); **Truma Geraetetechnik  
GmbH & Co KG**, Putzbrunn (DE);  
**CALIRA Electronic GmbH & Co KG**,  
Kaufbeuren (DE)

(\*\*) Term: **14 Years**

(21) Appl. No.: **29/311,155**

(22) Filed: **Jan. 5, 2009**

(30) **Foreign Application Priority Data**

Jul. 7, 2008	(EM)	000965843-0001
Jul. 7, 2008	(EM)	000965843-0002
Jul. 7, 2008	(EM)	000965843-0003
Jul. 7, 2008	(EM)	000965843-0004

(51) **LOC (9) Cl.** ..... **13-02**

(52) **U.S. Cl.** ..... **D13/110**

(58) **Field of Classification Search** ..... D13/110,  
D13/101, 123, 147, 164, 184, 199; D14/233,  
D14/238.1, 239, 357, 358, 433; 307/5, 6,  
307/150, 151; 361/600, 601, 603, 640, 679.01;  
363/59, 67, 69, 146; 439/578, 650, 798,  
439/928.1

See application file for complete search history.

(56) **References Cited**

**U.S. PATENT DOCUMENTS**

D354,737 S *	1/1995	Fladung	.....	D13/164
D398,582 S *	9/1998	Fryers	.....	D13/147
D403,662 S *	1/1999	Caldes et al.	.....	D13/110

D405,092 S *	2/1999	Ohshima et al.	.....	D14/239
D424,518 S *	5/2000	Chin-Kuan et al.	.....	D13/123
D505,657 S *	5/2005	Suckle et al.	.....	D13/110
7,052,333 B2 *	5/2006	Siracki et al.	.....	439/798
D523,014 S *	6/2006	Liu et al.	.....	D14/433
D535,944 S *	1/2007	Albano et al.	.....	D13/110
D551,165 S *	9/2007	Albano et al.	.....	D13/110
7,311,564 B2 *	12/2007	Zahnen	.....	439/798

\* cited by examiner

*Primary Examiner*—Prabhakar Deshmukh

*Assistant Examiner*—Derrick Holland

(74) *Attorney, Agent, or Firm*—Venable LLP; Robert Kinberg; Leigh D. Thelen

(57) **CLAIM**

The ornamental design for an apparatus for generating, distributing or converting electrical energy, as shown and described.

**DESCRIPTION**

FIG. 1 is a front elevation view of an apparatus for generating, distributing or converting electrical energy;

FIG. 2 is a rear elevation view thereof;

FIG. 3 is a top plan view thereof;

FIG. 4 is a bottom plan view thereof;

FIG. 5 is a left side elevation view thereof;

FIG. 6 is a top perspective view thereof;

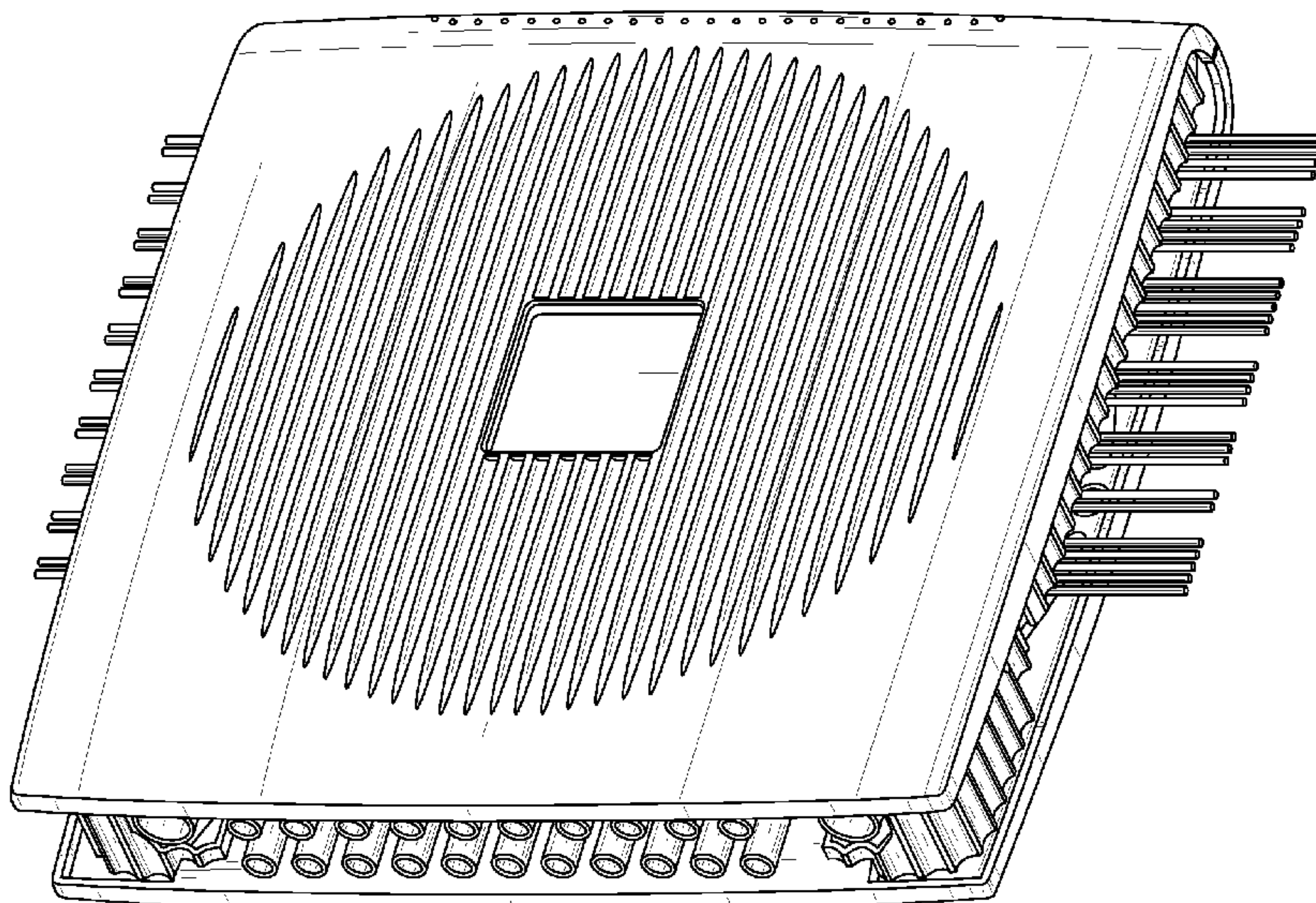
FIG. 7 is a bottom perspective view thereof;

FIG. 8 is a top perspective view thereof, with the top cover removed; and,

FIG. 9 is a top plan view thereof, with the top cover removed.

The broken lines shown are included for the purpose of illustrating environmental features and form no part of the claimed design.

**1 Claim, 9 Drawing Sheets**



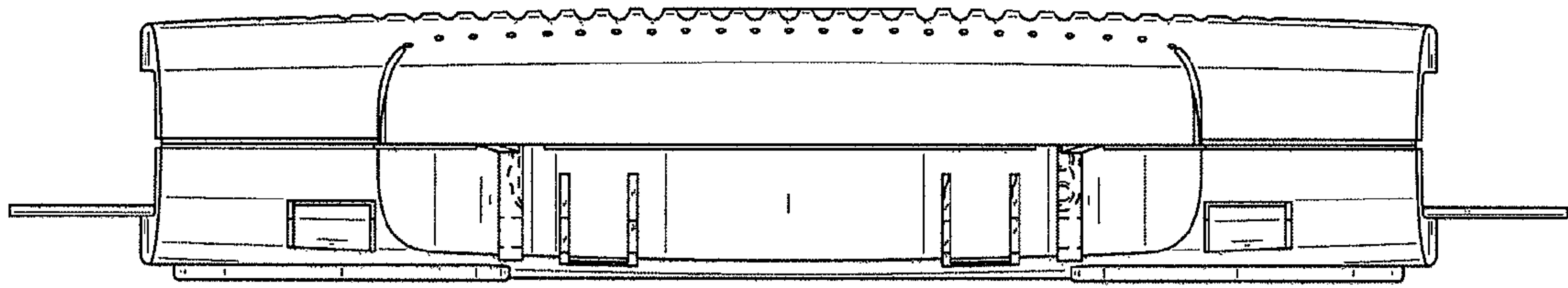


FIG. 1

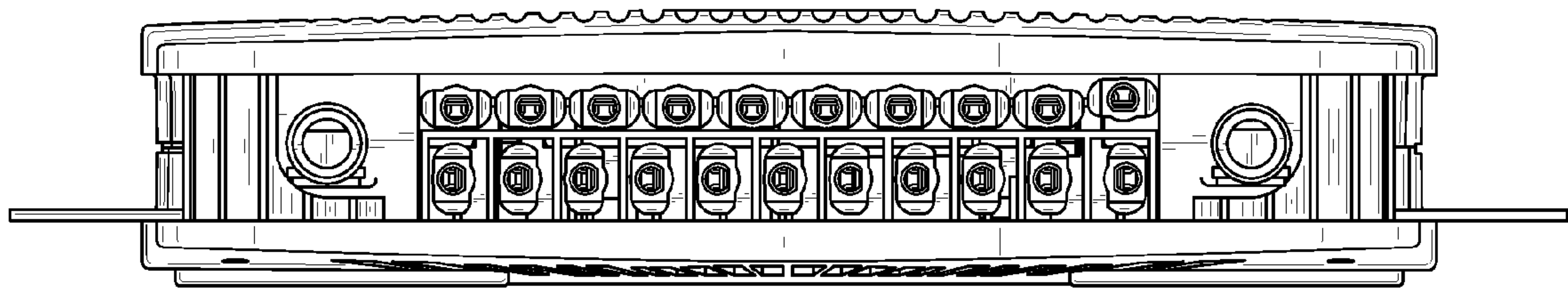


FIG. 2

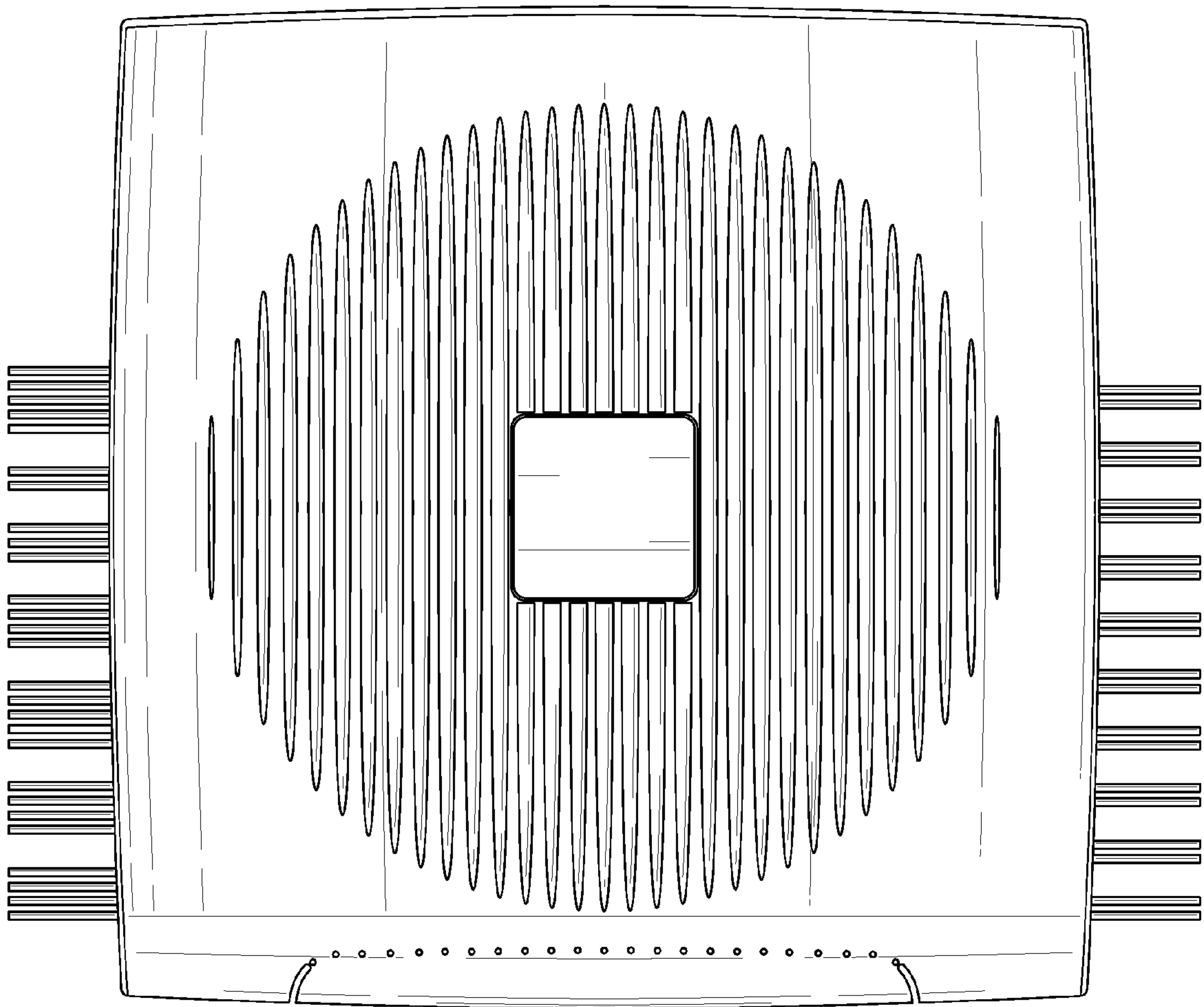


FIG. 3

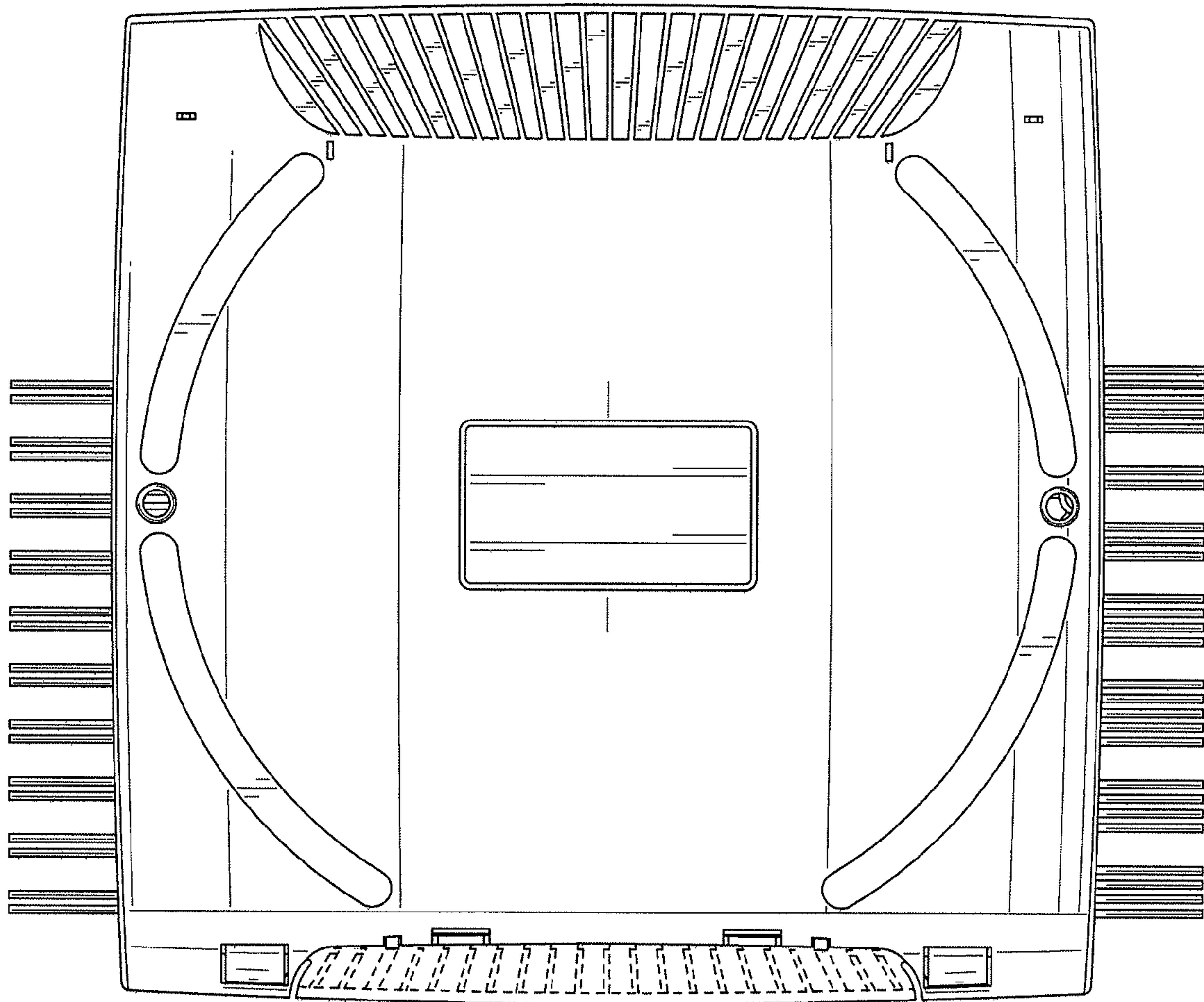


FIG. 4

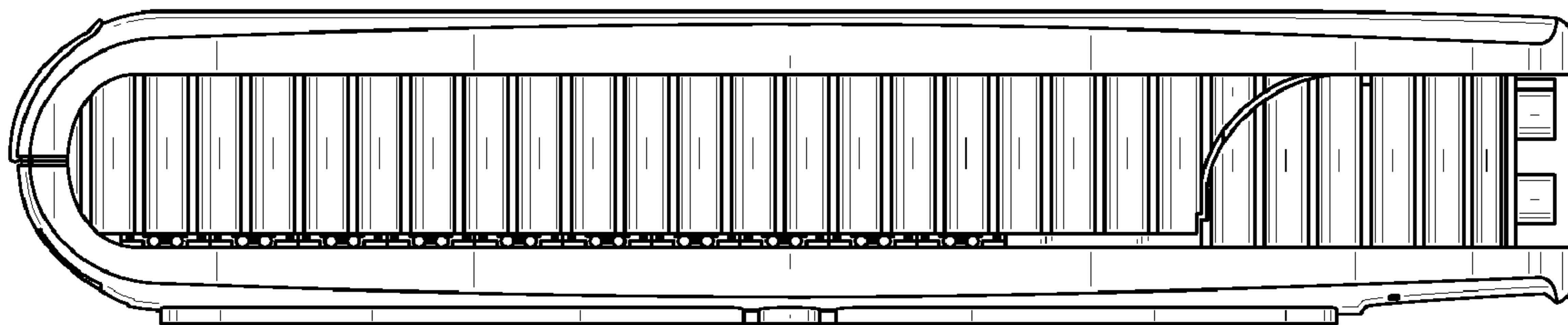


FIG. 5



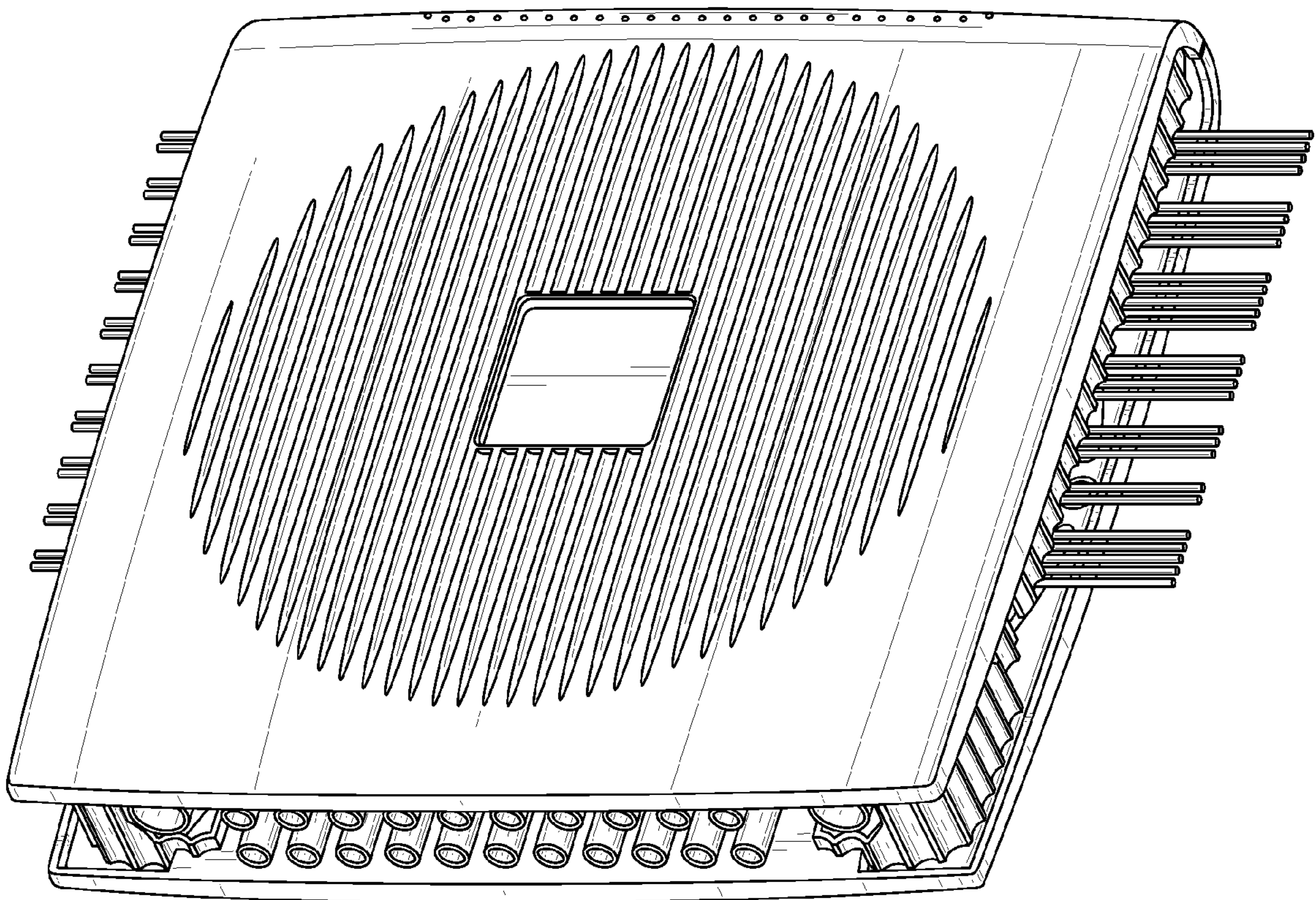


FIG. 6

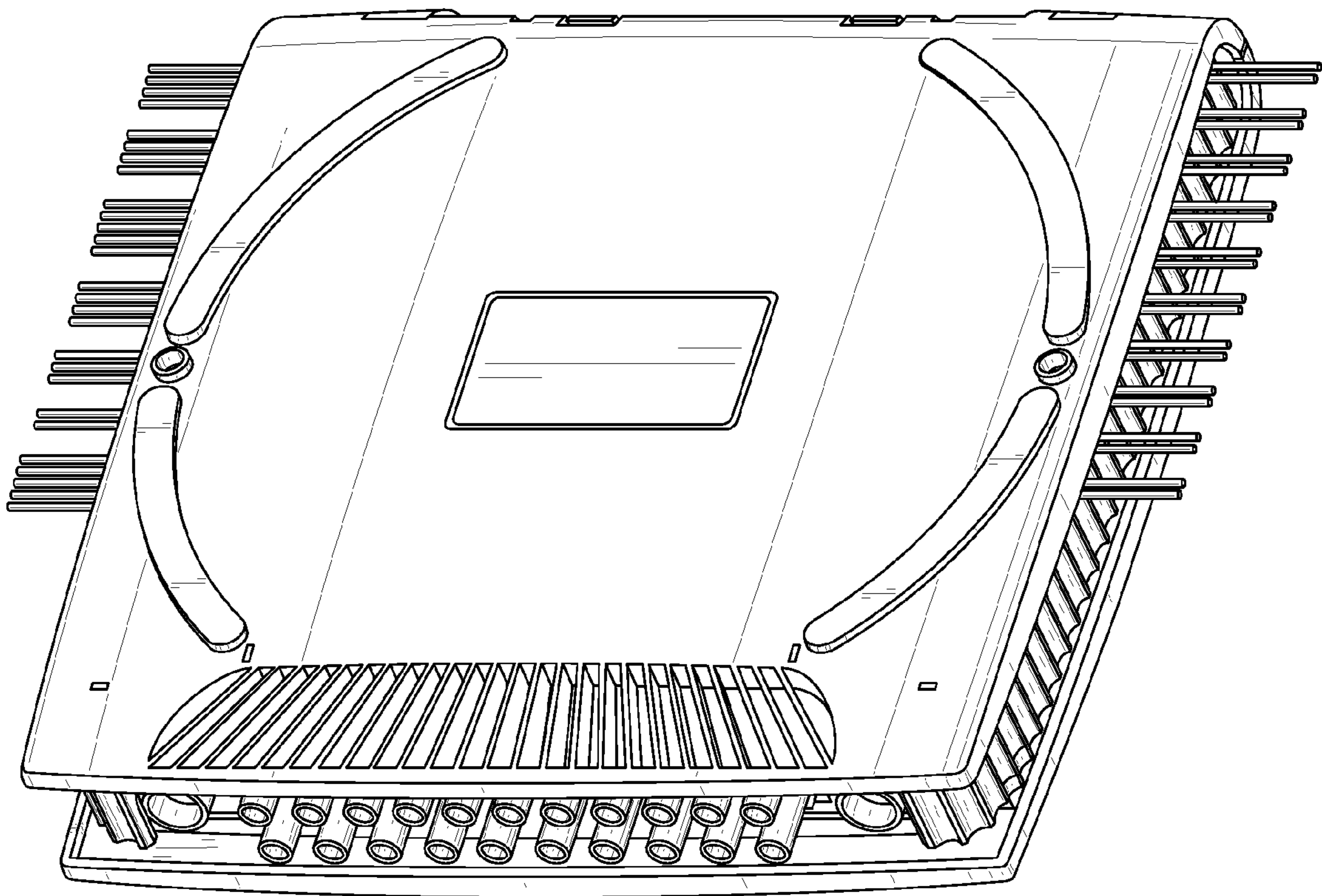


FIG. 7



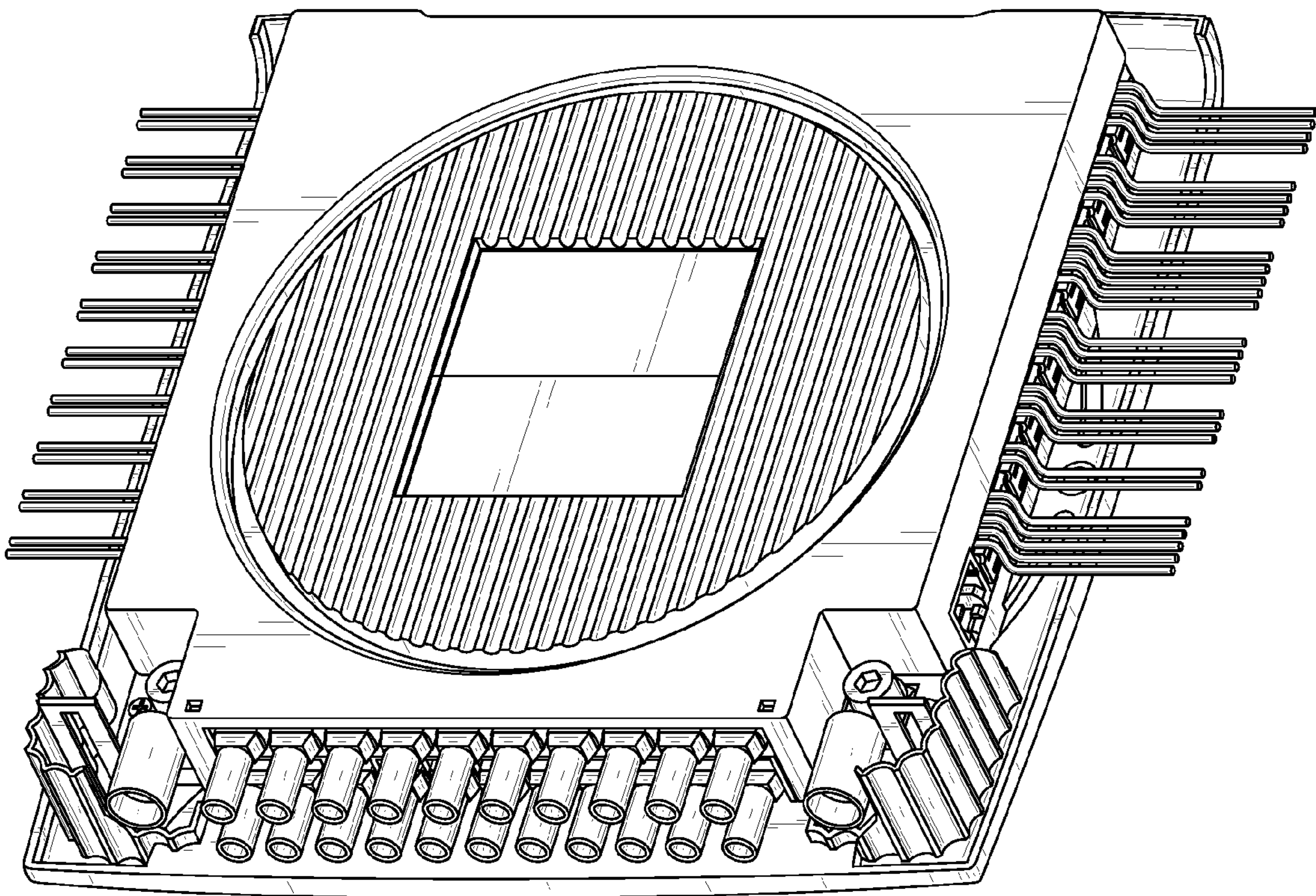


FIG. 8

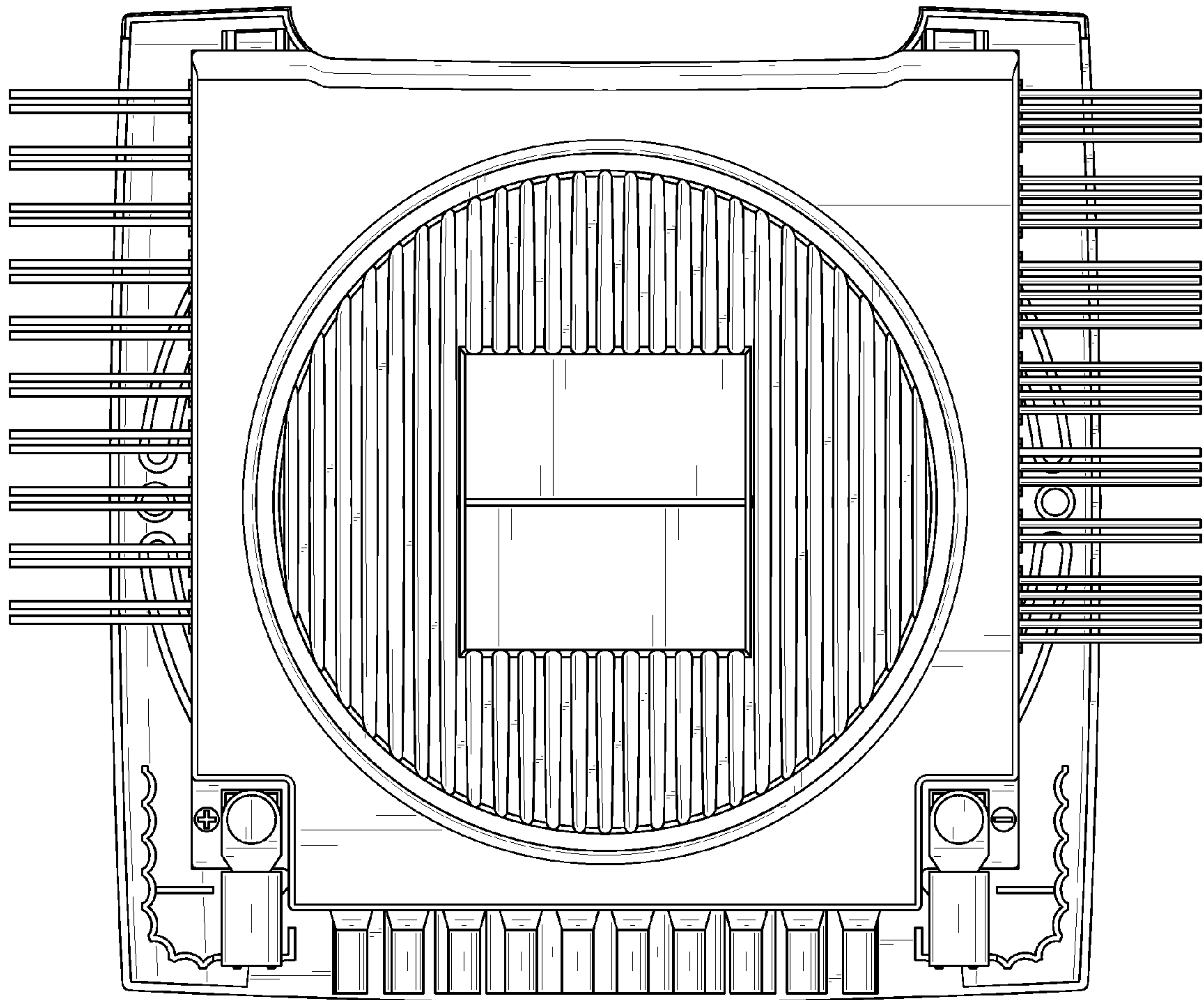


FIG. 9

UNITED STATES PATENT AND TRADEMARK OFFICE  
**CERTIFICATE OF CORRECTION**

PATENT NO. : Des. 619,960 S  
APPLICATION NO. : 29/311155  
DATED : July 20, 2010  
INVENTOR(S) : Gerald Winkler

Page 1 of 1

It is certified that error appears in the above-identified patent and that said Letters Patent is hereby corrected as shown below:

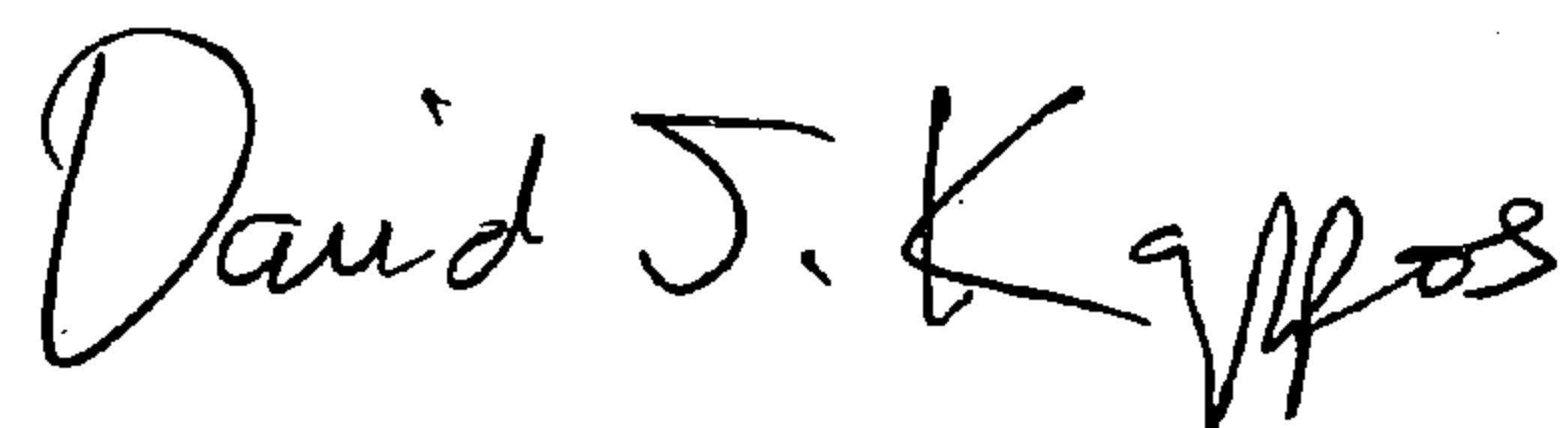
On the Title Page, Item (73)

The correct spelling should read as follows:

**“Truma Geraetetechnik” not --Truma Gereatetechnik--**

Signed and Sealed this

Fifth Day of October, 2010



David J. Kappos  
*Director of the United States Patent and Trademark Office*