



US00D619959S

(12) **United States Design Patent**  
**Takeshita et al.**

(10) **Patent No.:** **US D619,959 S**  
(45) **Date of Patent:** **\*\* Jul. 20, 2010**

(54) **BATTERY**

D439,877 S 4/2001 Vacheron et al.  
D503,673 S 4/2005 Rosengrant

(75) Inventors: **Toshio Takeshita**, Tokyo (JP); **Yoichi Miyajima**, Tokyo (JP); **Atsushi Takahashi**, Tokyo (JP); **Hiroaki Sato**, Tokyo (JP)

(Continued)

(73) Assignee: **Sony Corporation**, Tokyo (JP)

**OTHER PUBLICATIONS**

(\*\*) Term: **14 Years**

U.S. Appl. No. 29/254,889, filed Mar. 2, 2006, Takeshita, et al.

(21) Appl. No.: **29/340,569**

(Continued)

(22) Filed: **Jul. 21, 2009**

*Primary Examiner*—Rosemary K Tarcza  
(74) *Attorney, Agent, or Firm*—Oblon, Spivak, McClelland, Maier & Neustadt, L.L.P.

**Related U.S. Application Data**

(62) Division of application No. 29/254,895, filed on Mar. 2, 2006.

(57) **CLAIM**

The ornamental design for a battery, as shown and described.

**Foreign Application Priority Data**

(30) Sep. 2, 2005 (JP) ..... 2005-025527  
Sep. 2, 2005 (JP) ..... 2005-025528  
Sep. 30, 2005 (CN) ..... 2005 3 0129131  
Sep. 30, 2005 (CN) ..... 2005 3 0129138

**DESCRIPTION**

FIG. 1 is a top and right front perspective view of a first embodiment of a battery, showing our design;  
FIG. 2 is a front elevational view of the first embodiment;  
FIG. 3 is a rear elevational view of the first embodiment;  
FIG. 4 is a left side elevational view of the first embodiment;  
FIG. 5 is a right side elevational view of the first embodiment;  
FIG. 6 is a top plan view of the first embodiment, rotated ninety degrees clockwise;  
FIG. 7 is a bottom plan view of the first embodiment, rotated ninety degrees counterclockwise; and,  
FIG. 8 is a top and right front perspective view of a second embodiment of a battery, showing our design.

(51) **LOC (9) Cl.** ..... **13-02**  
(52) **U.S. Cl.** ..... **D13/103**  
(58) **Field of Classification Search** ..... D13/102–106,  
D13/110, 118–121, 184; 429/96–100, 163,  
429/176

See application file for complete search history.

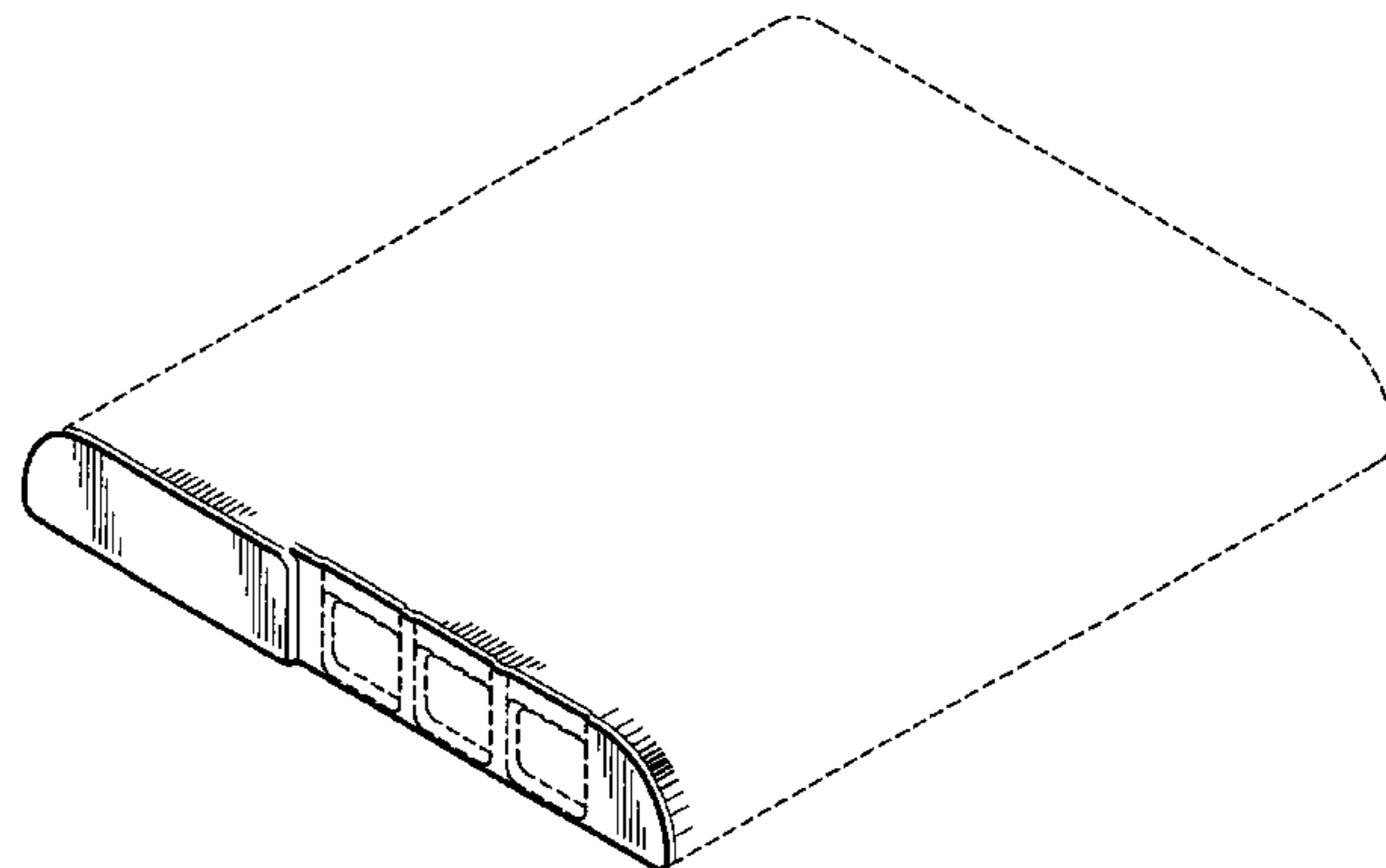
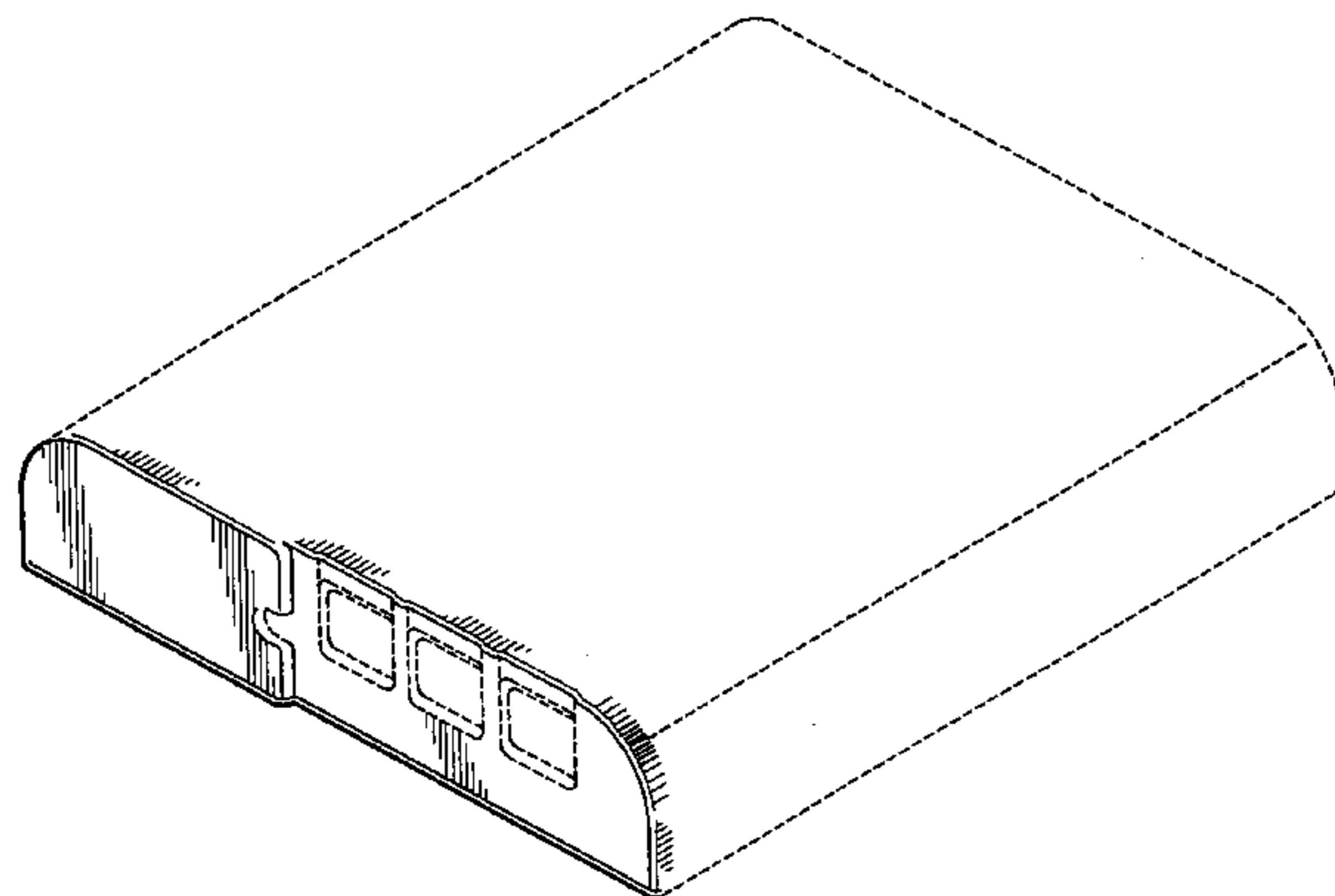
The phantom lines shown in the figures of the first and second embodiments are shown for illustrative purposes only and form no part of the design of their respective embodiments.

(56) **References Cited**

**U.S. PATENT DOCUMENTS**

D303,524 S 9/1989 Siegner et al.  
D403,656 S 1/1999 Ichikawa  
D428,384 S 7/2000 Maeyama  
D432,982 S 10/2000 Miyashita

**1 Claim, 4 Drawing Sheets**



# US D619,959 S

Page 2

---

## U.S. PATENT DOCUMENTS

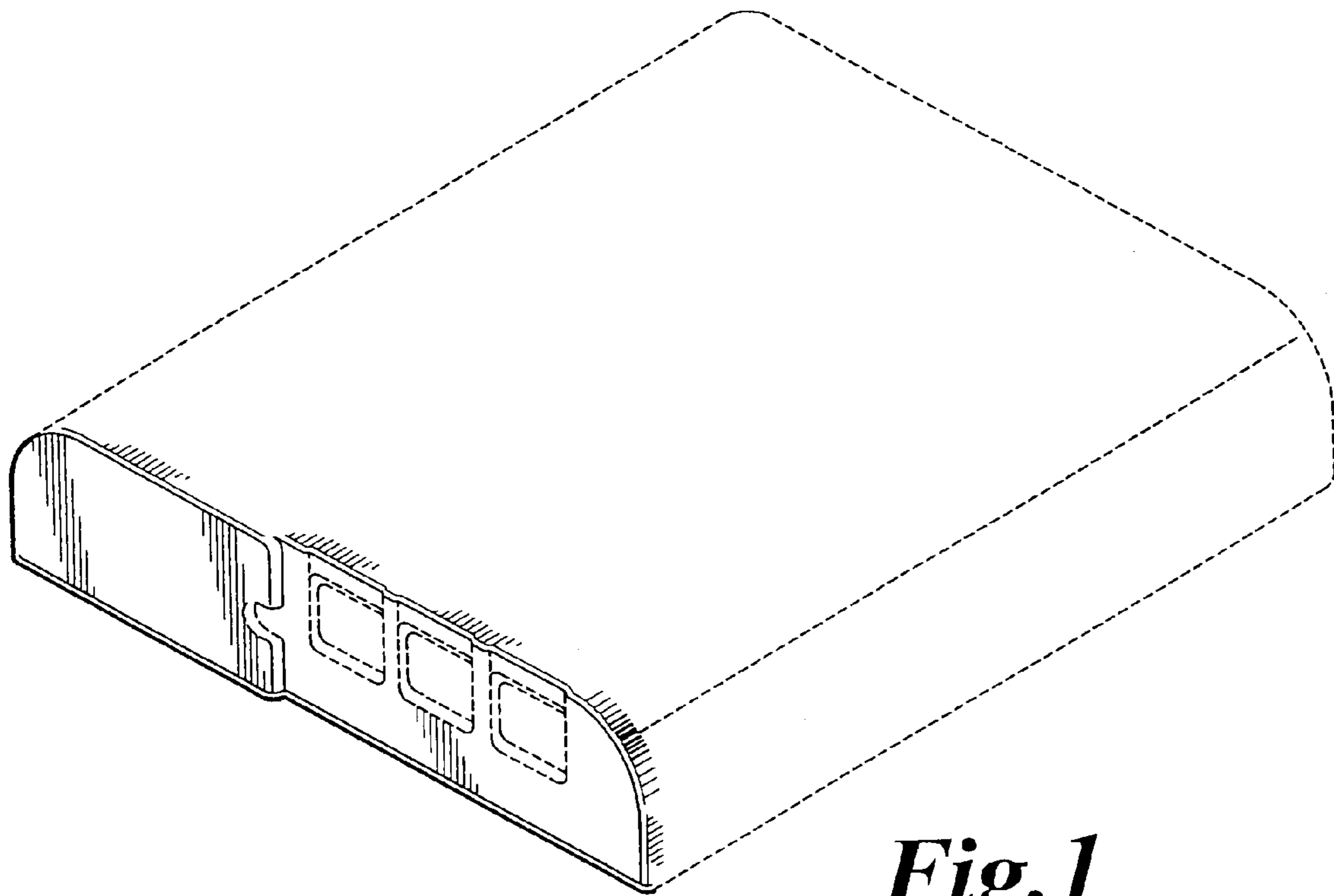
D503,922 S 4/2005 Shimizu  
D509,182 S 9/2005 Takeshita et al.  
D512,018 S 11/2005 Matsuda et al.  
D515,499 S 2/2006 Matsuda et al.  
D516,503 S 3/2006 Takeshita et al.  
D521,447 S 5/2006 Ono et al.  
D522,451 S 6/2006 Hayes et al.  
D529,437 S 10/2006 Miyashita  
D556,680 S 12/2007 Matsumoto  
D586,742 S \* 2/2009 Song ..... D13/103

D588,058 S \* 3/2009 Obata ..... D13/103  
D590,334 S \* 4/2009 Tatehata et al. .... D13/103  
D590,769 S \* 4/2009 Tatehata et al. .... D13/103  
D592,130 S \* 5/2009 Tatehata et al. .... D13/103  
D594,402 S \* 6/2009 Inoue et al. .... D13/103  
D597,483 S \* 8/2009 Wahl et al. .... D13/103  
D601,494 S \* 10/2009 Otani et al. .... D13/103

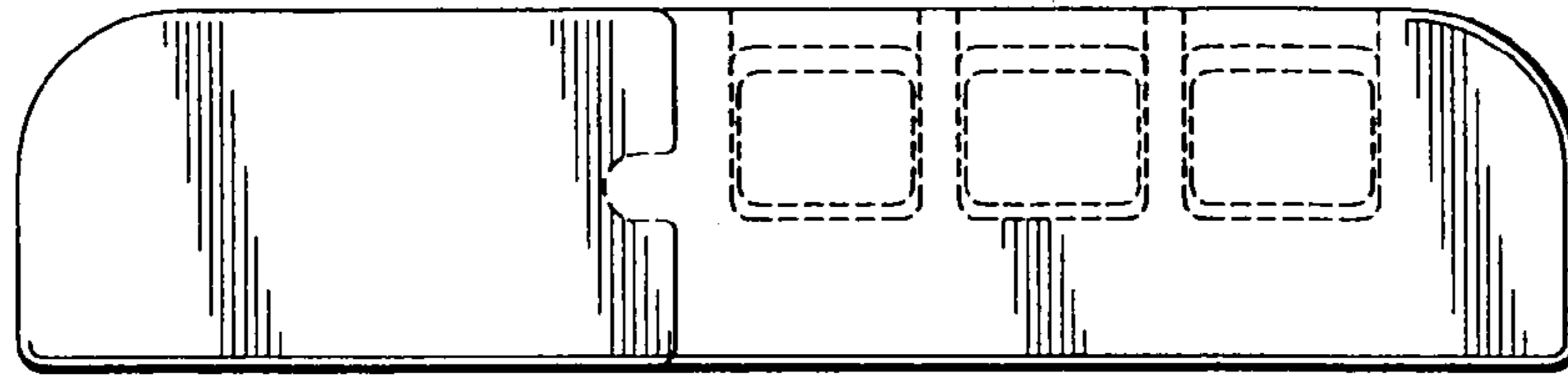
## OTHER PUBLICATIONS

U.S. Appl. No. 29/340,569, filed Jul. 21, 2009, Takeshita, et al.

\* cited by examiner



*Fig. 1*



*Fig. 2*



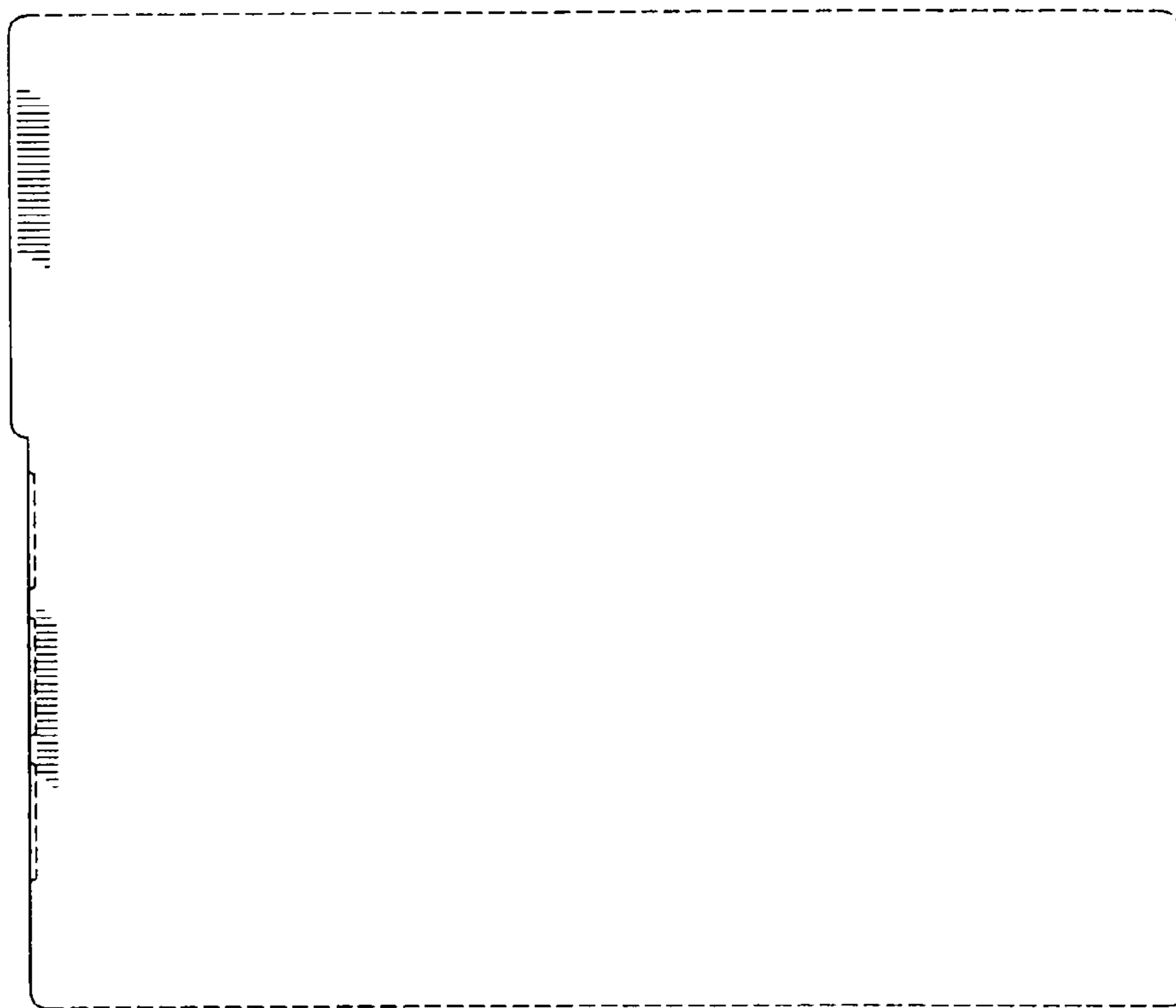
*Fig. 3*



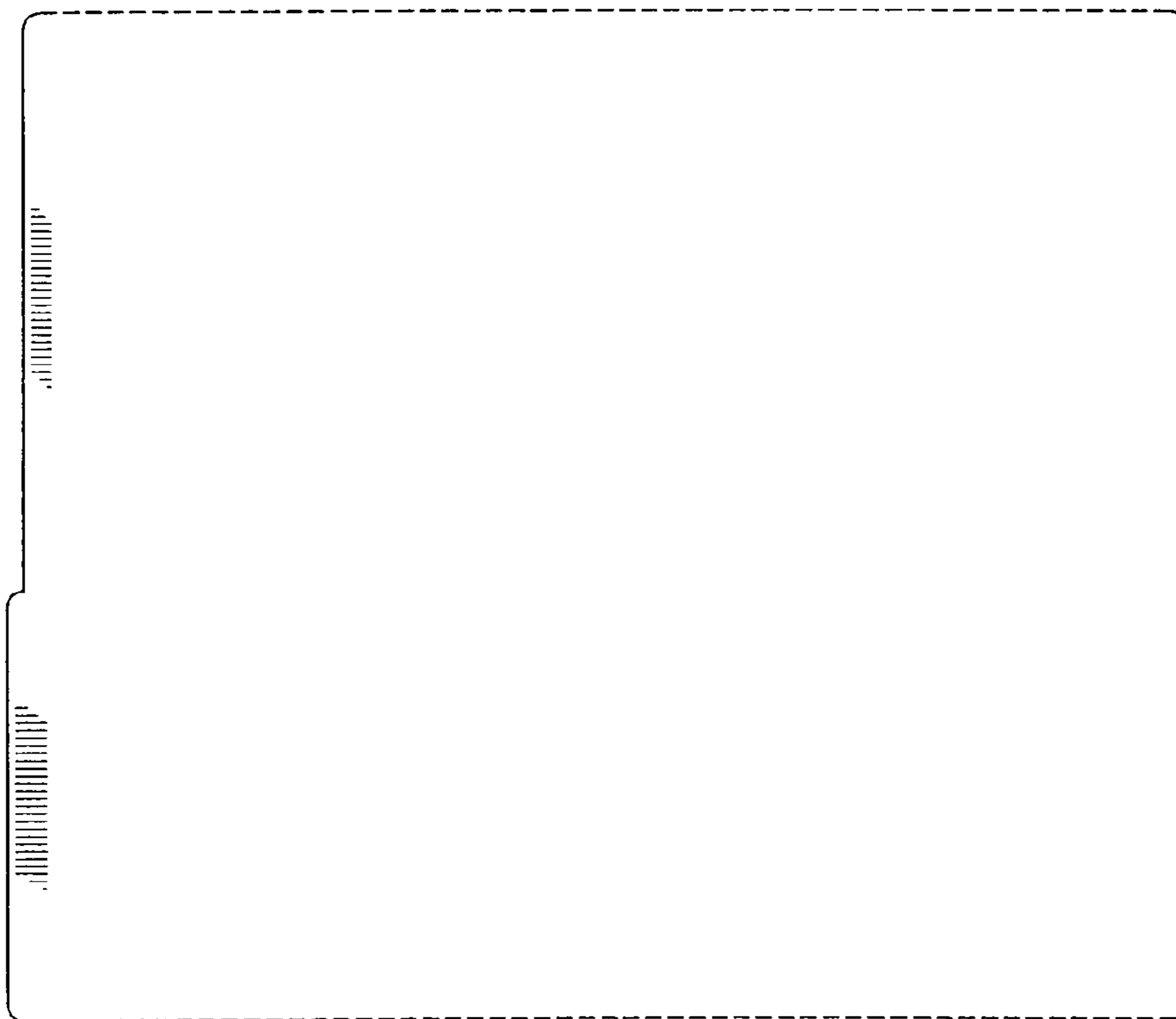
*Fig. 4*



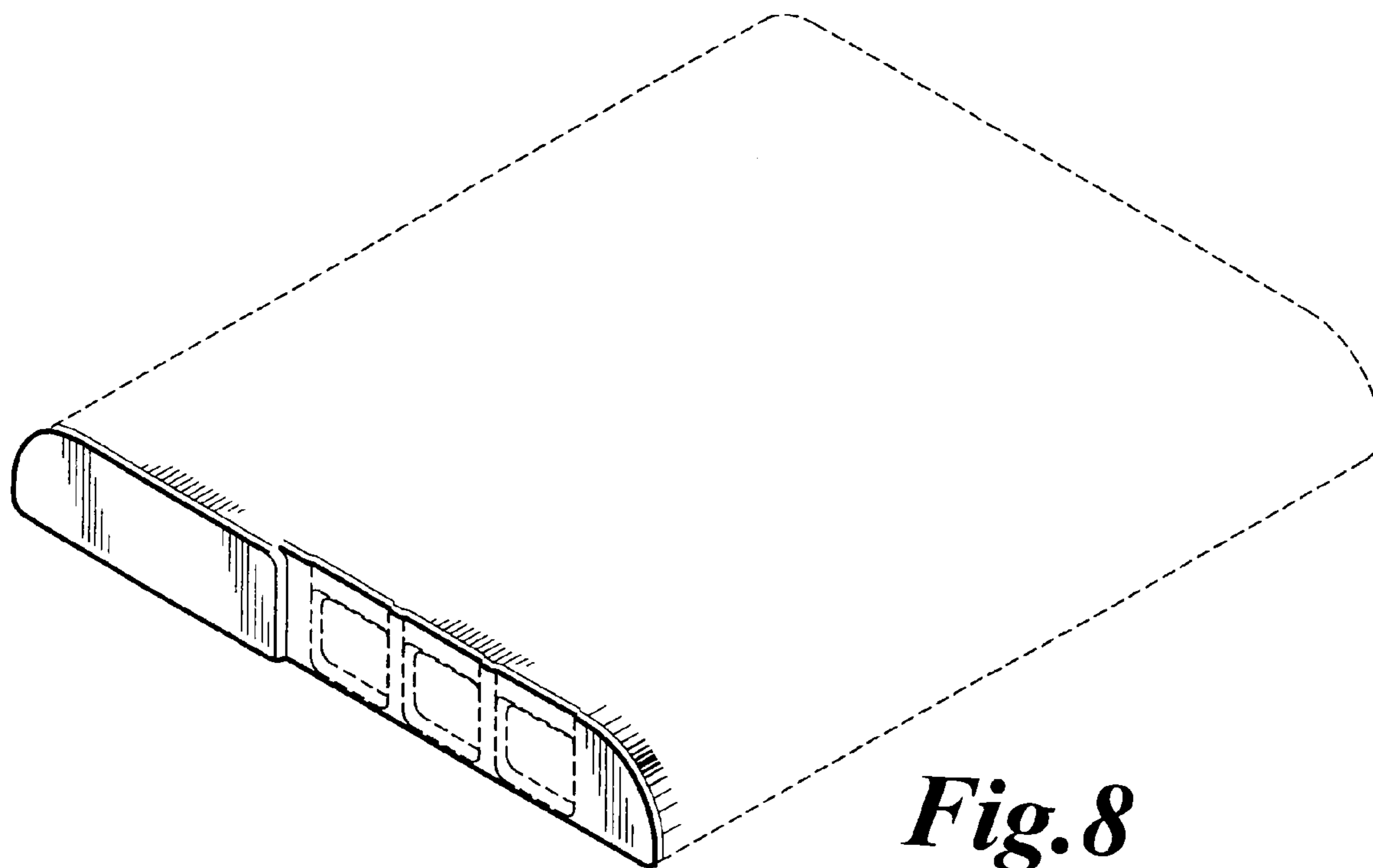
*Fig. 5*



*Fig. 6*



*Fig. 7*



*Fig. 8*