



US00D619954S

(12) **United States Design Patent**
Le

(10) **Patent No.:** **US D619,954 S**

(45) **Date of Patent:** **** Jul. 20, 2010**

(54) **TIE DOWN**

D520,343 S * 5/2006 Powell D8/349
D549,556 S * 8/2007 Christie D8/354

(75) Inventor: **Tam Le**, Santa Ana, CA (US)

* cited by examiner

(73) Assignee: **Sierra Pacific Engineering & Products**,
Rancho Dominguez, CA (US)

Primary Examiner—Holly H Baynham
Assistant Examiner—Sheryl Lane

(**) Term: **14 Years**

(57) **CLAIM**

(21) Appl. No.: **29/314,424**

I claim the ornamental design for a tie down, as shown and described.

(22) Filed: **Mar. 30, 2009**

(51) **LOC (9) Cl.** **12-06**

(52) **U.S. Cl.** **D12/223**

(58) **Field of Classification Search** D12/223;
D8/382, 349, 354, 384; 24/297, 453, 265 CD;
411/508, 509, 510, 45; 248/300, 200, 187.1,
248/495

See application file for complete search history.

DESCRIPTION

FIG. 1 is a top plan view of the tie down;

FIG. 2 is a front elevational view;

FIG. 3 is a left side elevational view;

FIG. 4 is a rear elevational view;

FIG. 5 is a right side elevational view; and,

FIG. 6 is a perspective view.

Thus broken lines appearing in the drawing figures are for illustrative purposes only and form no part of the disclosed ornamental design.

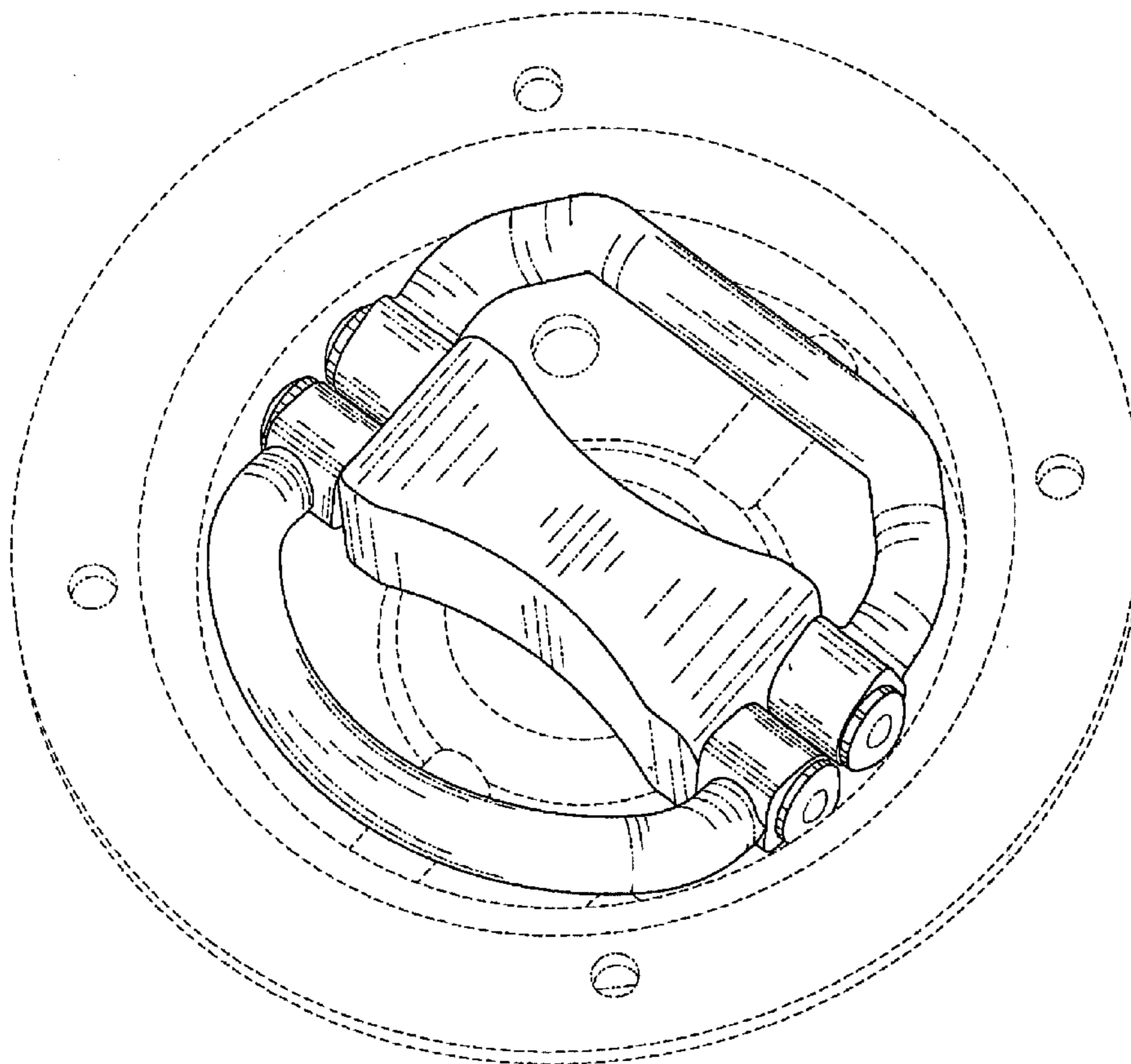
A bottom plan view is not shown as it forms no part of the claimed ornamental design.

(56) **References Cited**

U.S. PATENT DOCUMENTS

D250,571 S * 12/1978 Winslow D8/382
D307,107 S * 4/1990 Wensien D8/367
5,774,948 A * 7/1998 Petschke et al. 24/265 CD
D415,951 S * 11/1999 Kraine D8/354
D506,126 S * 6/2005 Amy D8/382

1 Claim, 4 Drawing Sheets



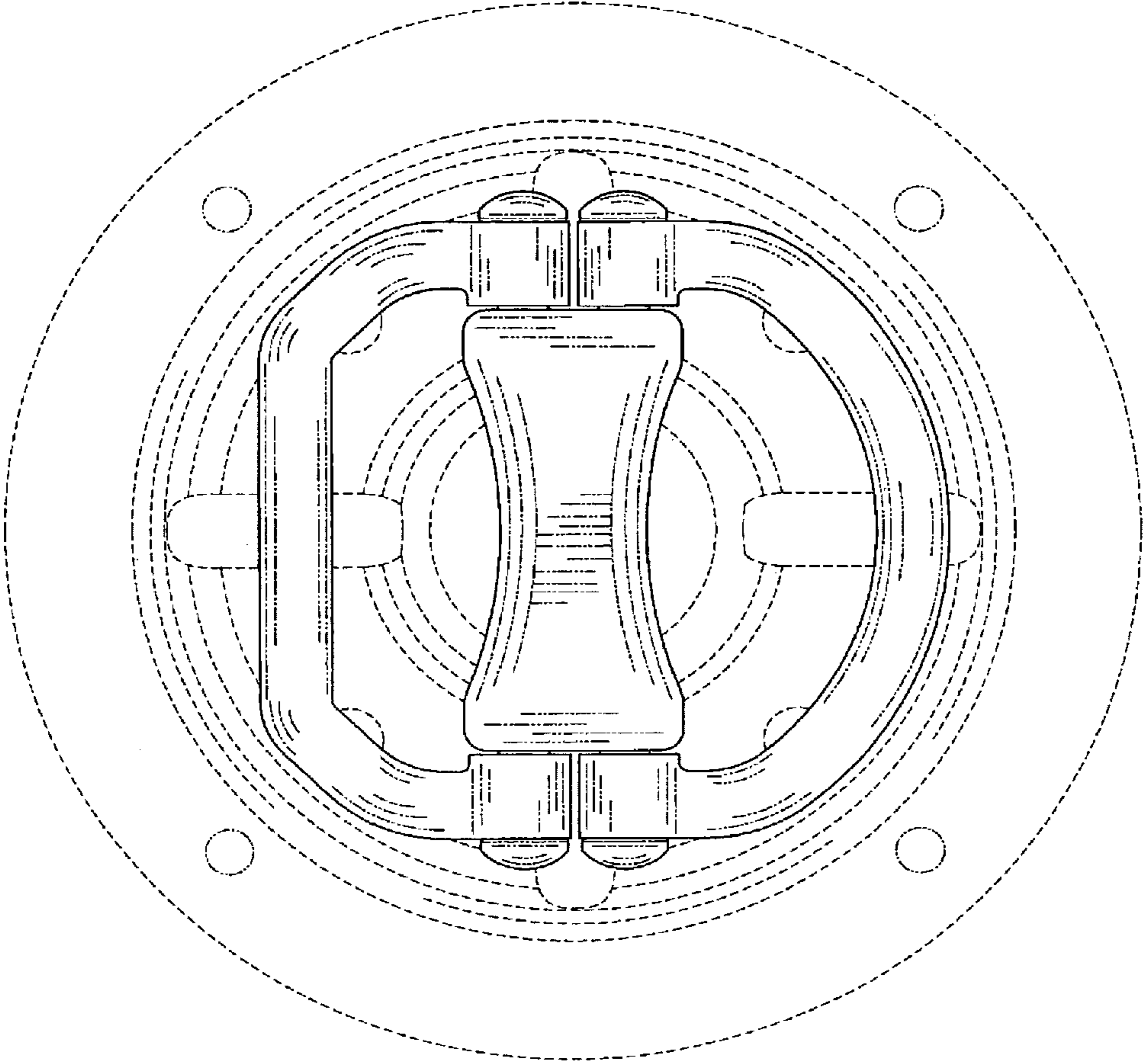


FIG. 1

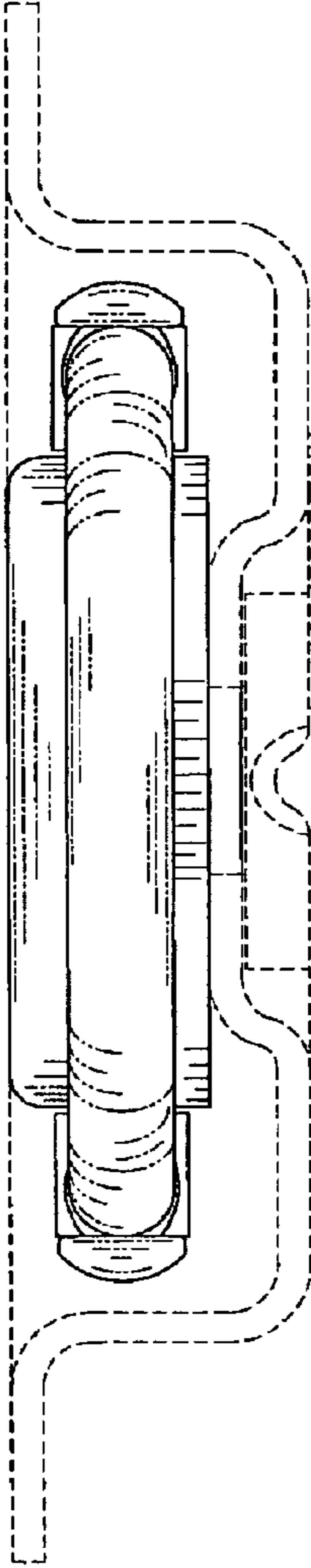


FIG. 2

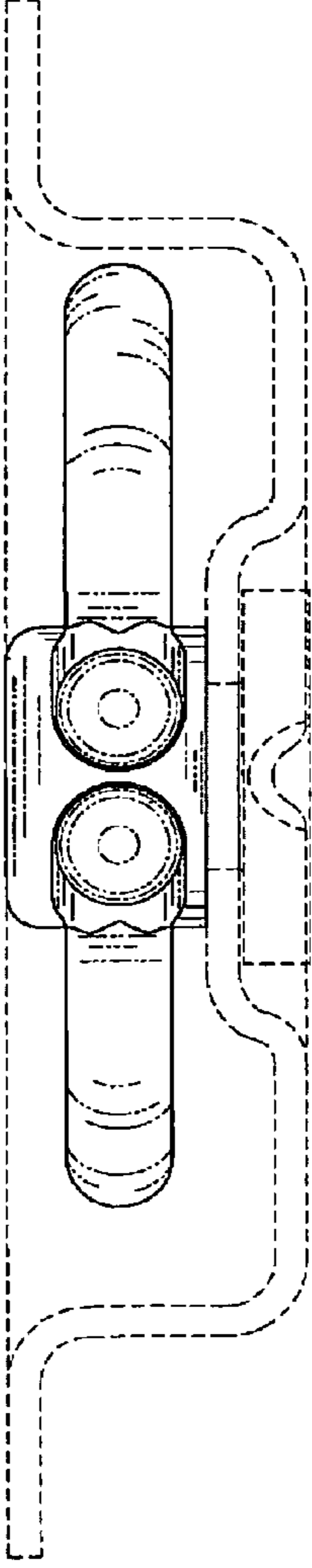


FIG. 3

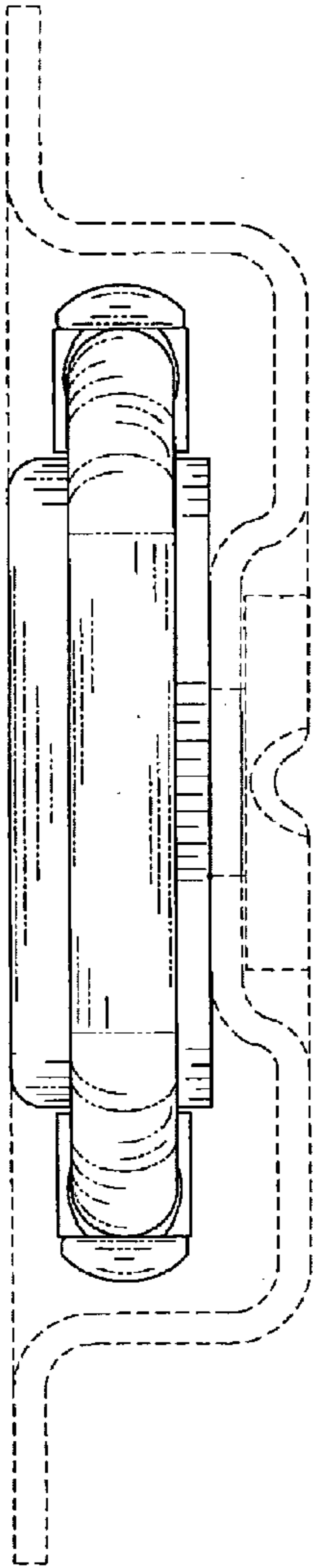


FIG. 4

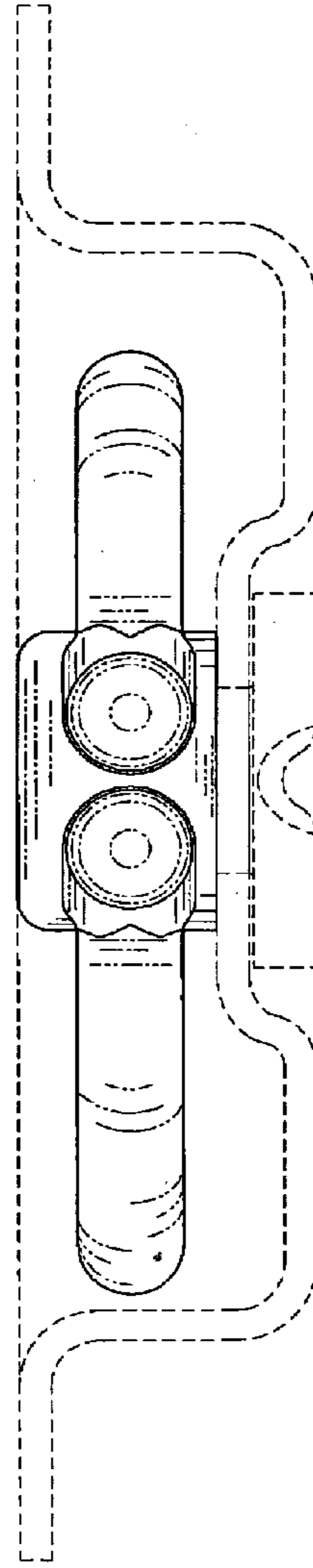


FIG. 5

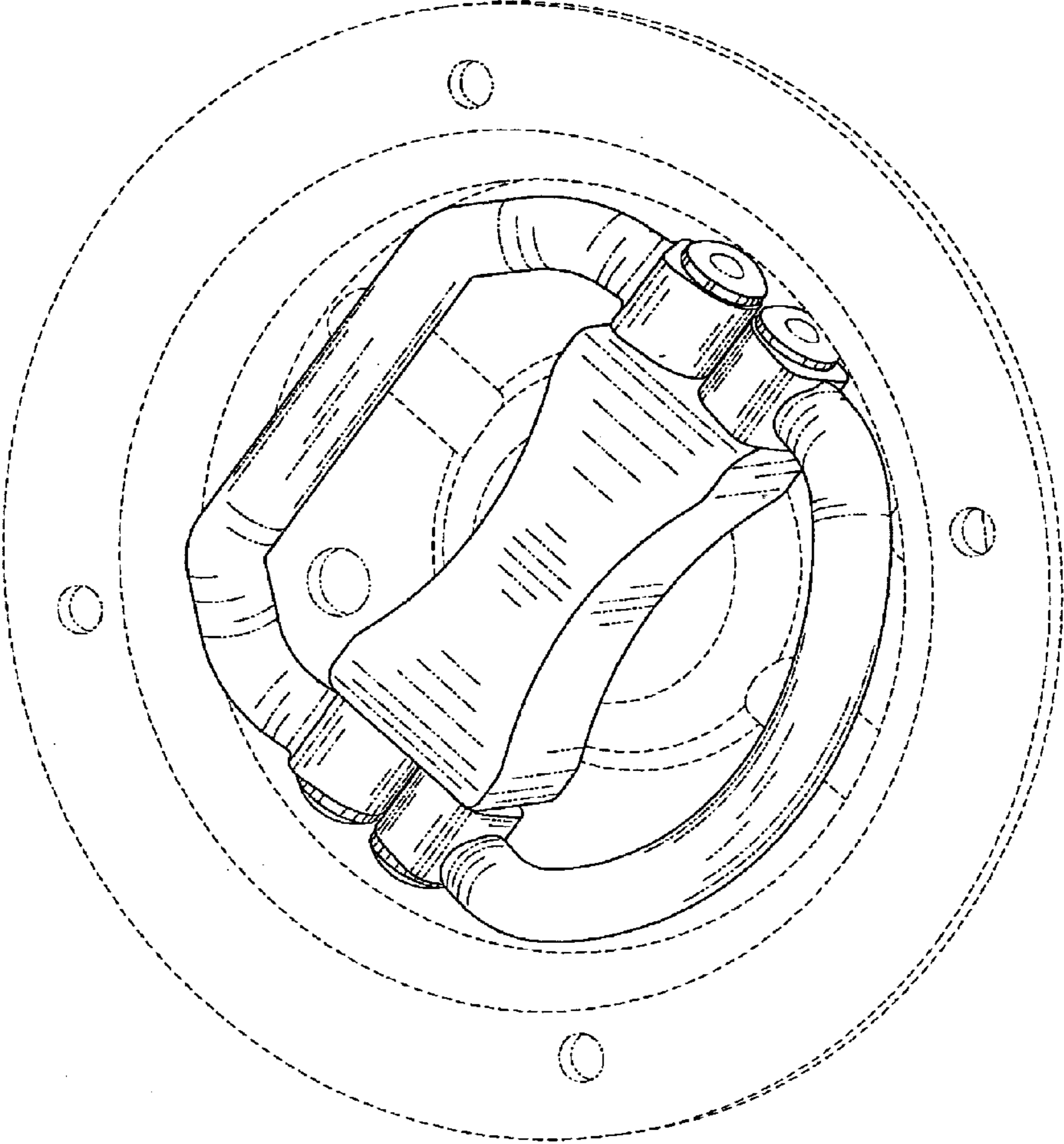


FIG. 6