



US00D619952S

(12) **United States Design Patent**
Juergens et al.

(10) **Patent No.:** **US D619,952 S**
(45) **Date of Patent:** **** Jul. 20, 2010**

(54) **WHEEL OR WHEEL COVER**

(75) Inventors: **Dirk Juergens**, Munich (DE); **Rainer Mueller**, Munich (DE)

(73) Assignee: **Bayerische Motoren Werke Aktiengesellschaft**, Munich (DE)

(**) Term: **14 Years**

(21) Appl. No.: **29/309,914**

(22) Filed: **Nov. 7, 2008**

(30) **Foreign Application Priority Data**

May 9, 2008 (DE) 40 2008 002 370

(51) **LOC (9) Cl.** **12-16**

(52) **U.S. Cl.** **D12/211**

(58) **Field of Classification Search** D12/204-213;
301/37.101, 64.101, 65, 64.201

See application file for complete search history.

(56) **References Cited**

U.S. PATENT DOCUMENTS

- D421,953 S * 3/2000 Sims et al. D12/211
- D432,071 S * 10/2000 Brown D12/211
- D451,067 S 11/2001 Frizzi
- D494,524 S 8/2004 Rice
- D500,005 S 12/2004 van Hooydonk
- D500,726 S 1/2005 Hettler
- D515,493 S 2/2006 Schaefers
- D516,991 S * 3/2006 Guevara D12/211
- D522,949 S 6/2006 Elmitt
- D526,947 S * 8/2006 Kim D12/209

- D526,948 S * 8/2006 Truebsbach D12/211
- D527,333 S 8/2006 Blasi
- D533,827 S * 12/2006 Aydin D12/211
- D546,748 S * 7/2007 Young D12/211
- D548,162 S 8/2007 Baum
- D551,609 S 9/2007 Hettler
- D569,777 S * 5/2008 Chung D12/211
- D578,455 S * 10/2008 Pfeiffer D12/211
- D585,010 S * 1/2009 Pollmann D12/211
- D593,922 S * 6/2009 Blasi D12/211
- D596,552 S * 7/2009 Beermann D12/211
- D598,357 S * 8/2009 Chung D12/211

FOREIGN PATENT DOCUMENTS

EM 000255609-0004 2/2005
WO DM/029706 5/1994

* cited by examiner

Primary Examiner—Stacia Cadmus

(74) *Attorney, Agent, or Firm*—Crowell & Moring LLP

(57) **CLAIM**

The ornamental design for a wheel or wheel cover, as shown and described.

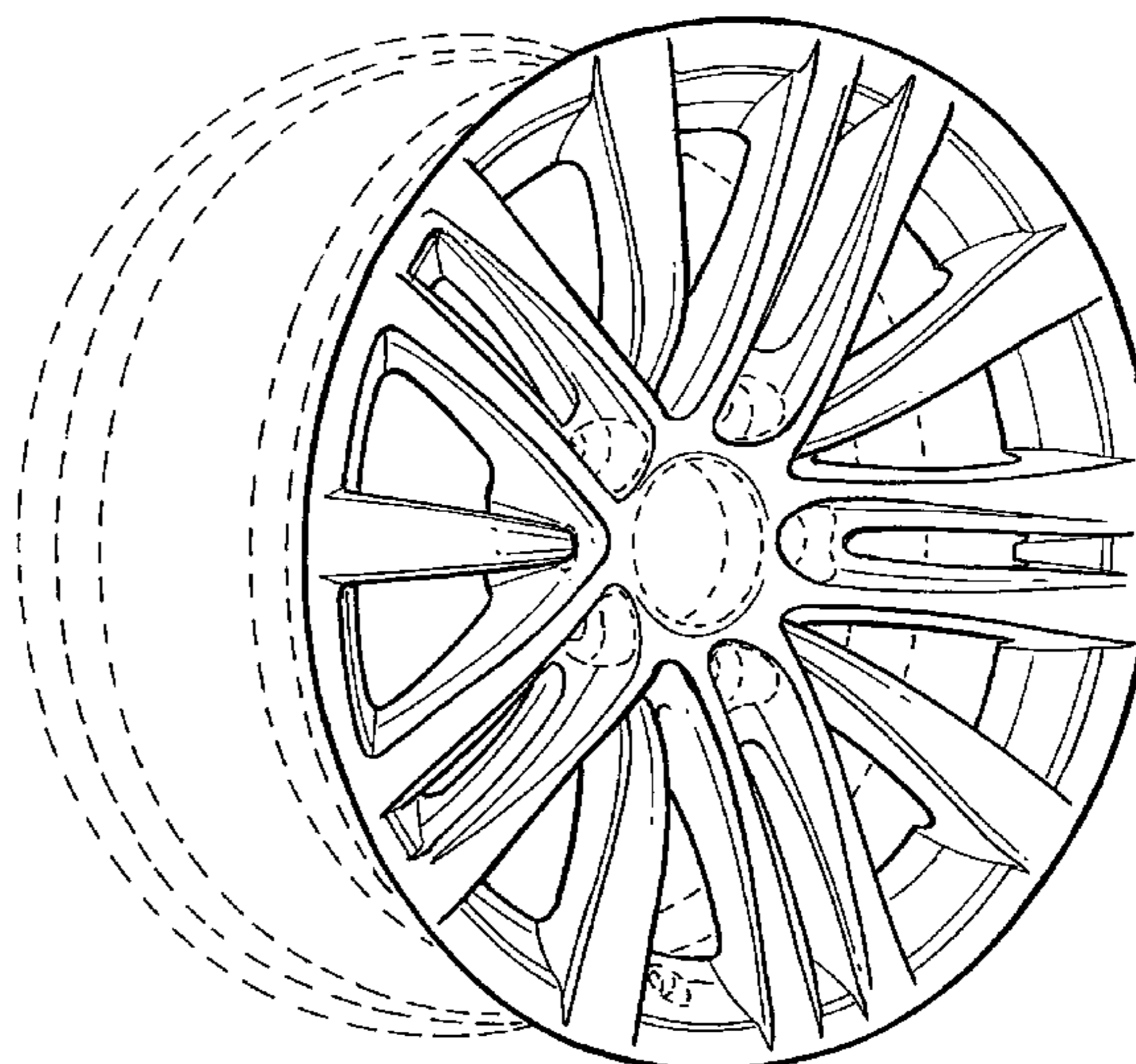
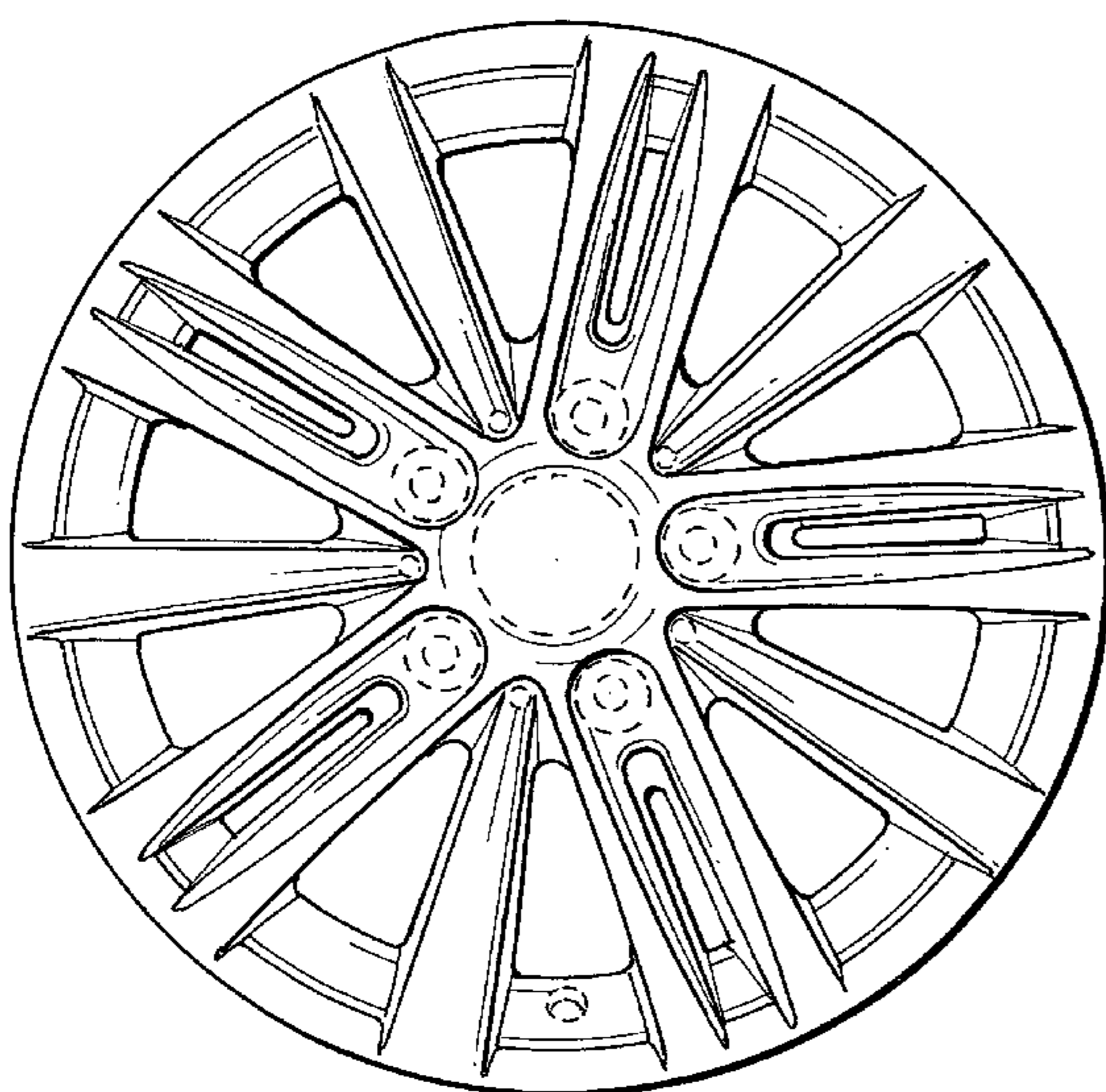
DESCRIPTION

FIG. 1 is a front view of a wheel or wheel cover according to our novel design; and,

FIG. 2 is a perspective view thereof.

The broken line showing of the rear of the rim and the bolt holes and center hole in the central hub area is included for the purpose of illustrating environment and forms no part of the claimed design.

1 Claim, 1 Drawing Sheet



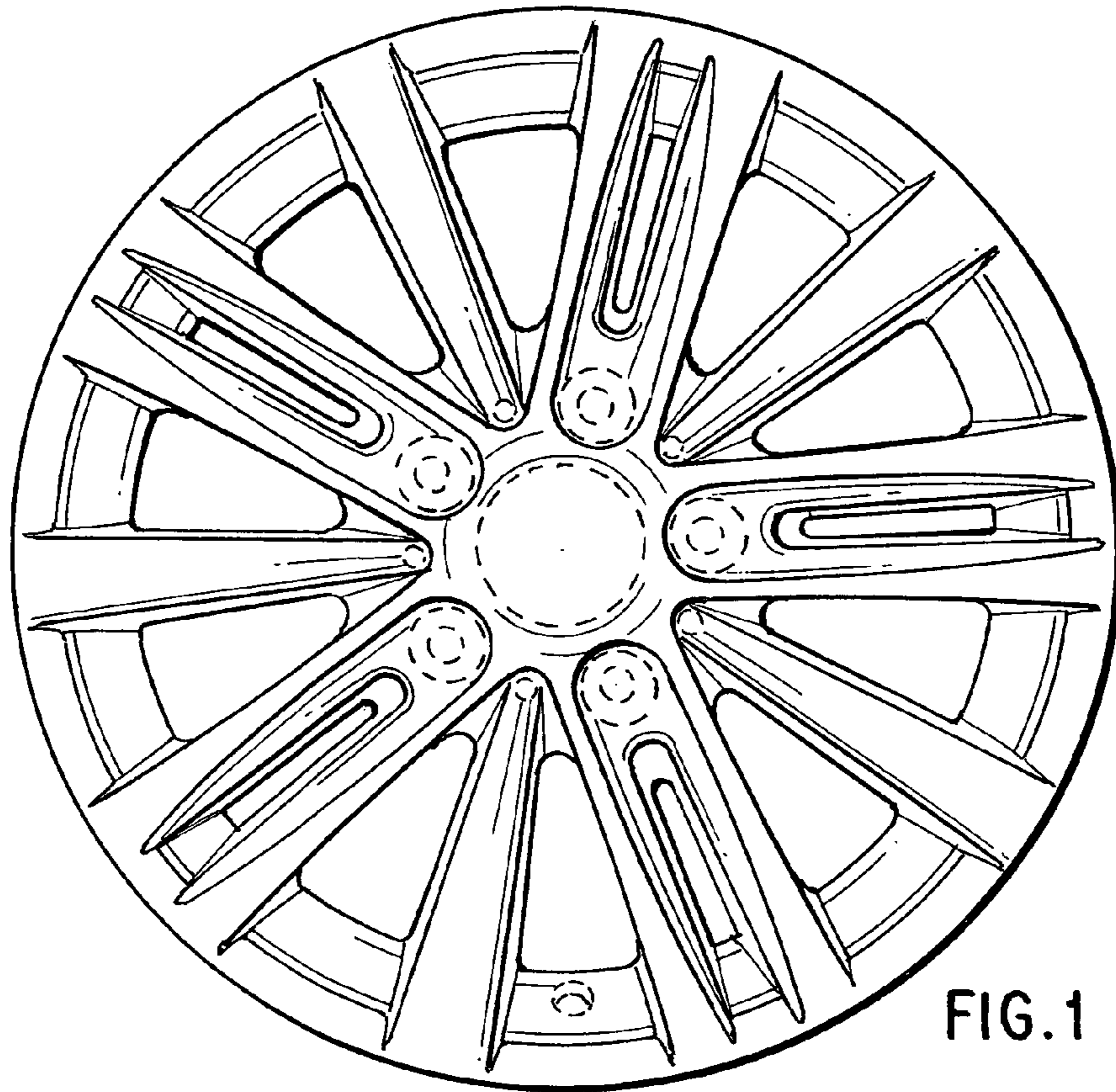


FIG. 1

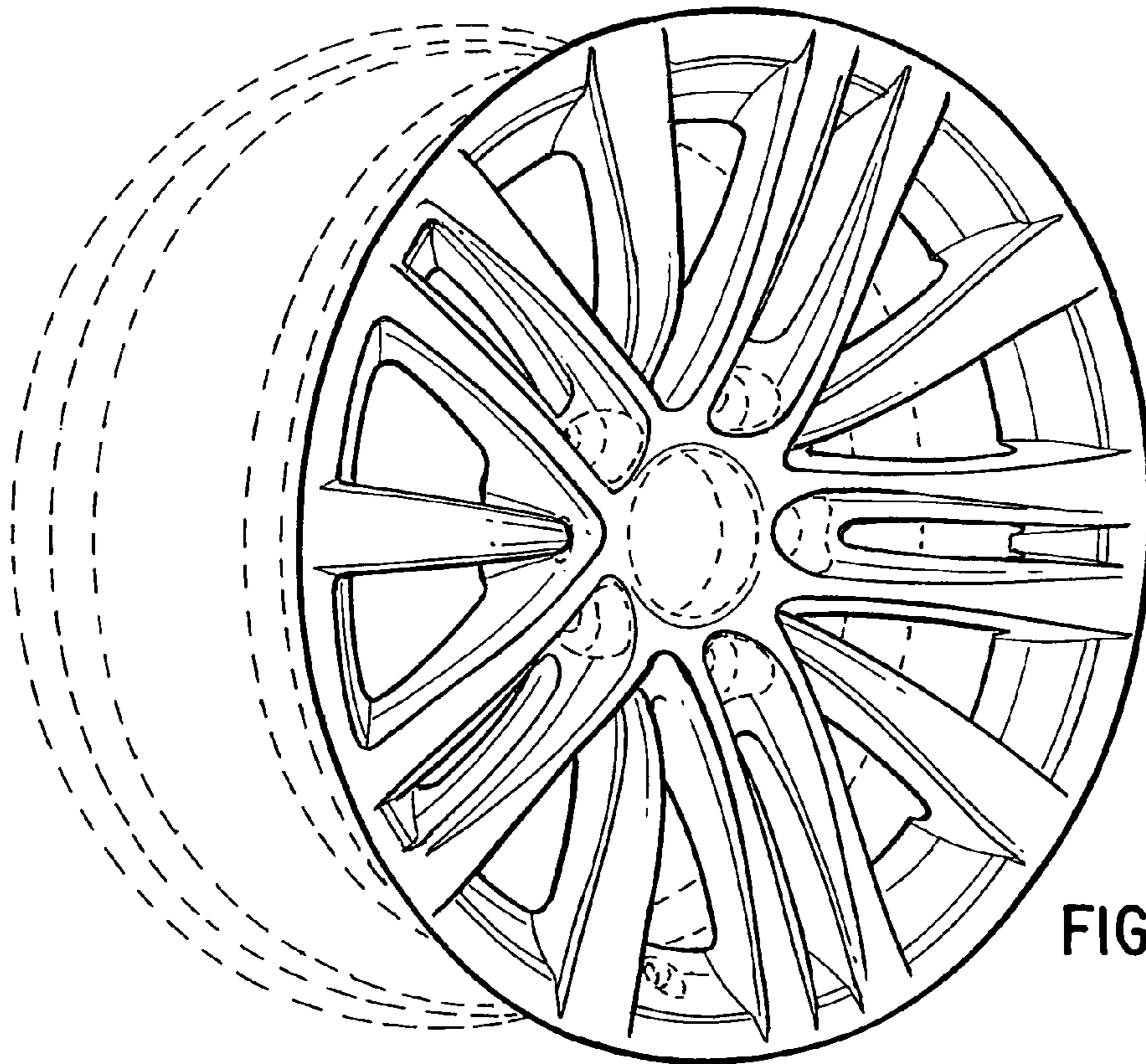


FIG. 2