



US00D619951S

(12) **United States Design Patent**  
**Baum**

(10) **Patent No.:** **US D619,951 S**  
(45) **Date of Patent:** **\*\* Jul. 20, 2010**

(54) **WHEEL OR WHEEL COVER**

D594,800 S 6/2009 Blasi

(75) Inventor: **Stephan Baum**, Olching (DE)

(73) Assignee: **Bayerische Motoren Werke Aktiengesellschaft**, Munich (DE)

(\*\*) Term: **14 Years**

(21) Appl. No.: **29/351,130**

(22) Filed: **Dec. 1, 2009**

(30) **Foreign Application Priority Data**

Jun. 2, 2009 (DE) ..... 402009002805

(51) **LOC (9) Cl.** ..... **12-16**

(52) **U.S. Cl.** ..... **D12/209**

(58) **Field of Classification Search** ..... D12/204–213;  
301/37.101, 64.101, 65, 64.201  
See application file for complete search history.

(56) **References Cited**

**U.S. PATENT DOCUMENTS**

|            |   |         |                 |       |         |
|------------|---|---------|-----------------|-------|---------|
| D402,249 S | * | 12/1998 | Kulla           | ..... | D12/209 |
| D409,966 S | * | 5/1999  | Chung           | ..... | D12/209 |
| D415,092 S | * | 10/1999 | Wang            | ..... | D12/209 |
| D425,470 S | * | 5/2000  | Pfeiffer et al. | ..... | D12/209 |
| D428,594 S | * | 7/2000  | Neeper          | ..... | D12/209 |
| D429,205 S | * | 8/2000  | Hussaini et al. | ..... | D12/209 |
| D451,460 S | * | 12/2001 | Arellano        | ..... | D12/209 |
| D453,913 S | * | 2/2002  | Minamisawa      | ..... | D12/209 |
| D454,823 S | * | 3/2002  | McMath          | ..... | D12/209 |
| D460,397 S | * | 7/2002  | Bintoro         | ..... | D12/209 |
| D474,139 S |   | 5/2003  | Warming         |       |         |
| D493,405 S |   | 7/2004  | Boyer           |       |         |
| D499,681 S |   | 12/2004 | Boyer           |       |         |
| D514,494 S | * | 2/2006  | Scheu           | ..... | D12/209 |
| D531,950 S |   | 11/2006 | Huet            |       |         |
| D581,337 S |   | 11/2008 | Juergens et al. |       |         |
| D584,209 S | * | 1/2009  | Klimas          | ..... | D12/209 |
| D593,476 S |   | 6/2009  | Juergens et al. |       |         |

**FOREIGN PATENT DOCUMENTS**

|    |                |         |
|----|----------------|---------|
| DE | M9200421.0     | 6/1992  |
| DE | 40106965.0     | 1/2002  |
| EM | 000032438-0007 | 10/2003 |
| EM | 000062591-0002 | 5/2004  |

(Continued)

*Primary Examiner*—Stacia Cadmus

(74) *Attorney, Agent, or Firm*—Crowell & Moring LLP

(57) **CLAIM**

The ornamental design for a wheel or wheel cover, as shown and described.

**DESCRIPTION**

This application contains subject matter related to the following pending U.S. patent applications:

Application Ser. No. 29/350,139, filed Nov. 12, 2009 and entitled “Wheel or Wheel Cover”;

Application Ser. No. 29/351,128, filed herewith and entitled “Wheel or Wheel Cover”; and

Application Ser. No. 29/351,129, filed herewith and entitled “Wheel or Wheel Cover”.

FIG. 1 is a front view of a first embodiment of a wheel or wheel cover according to my design; and

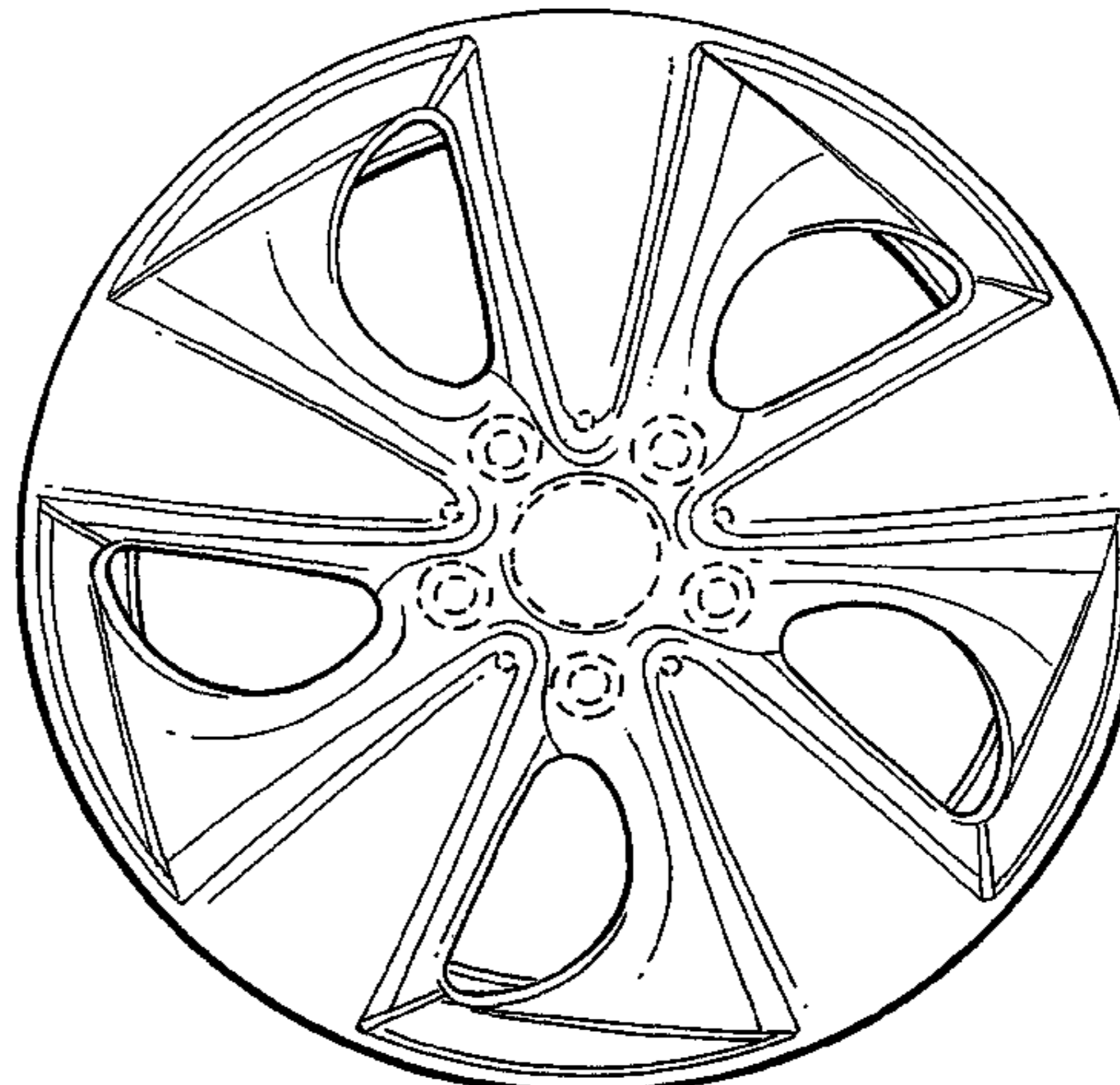
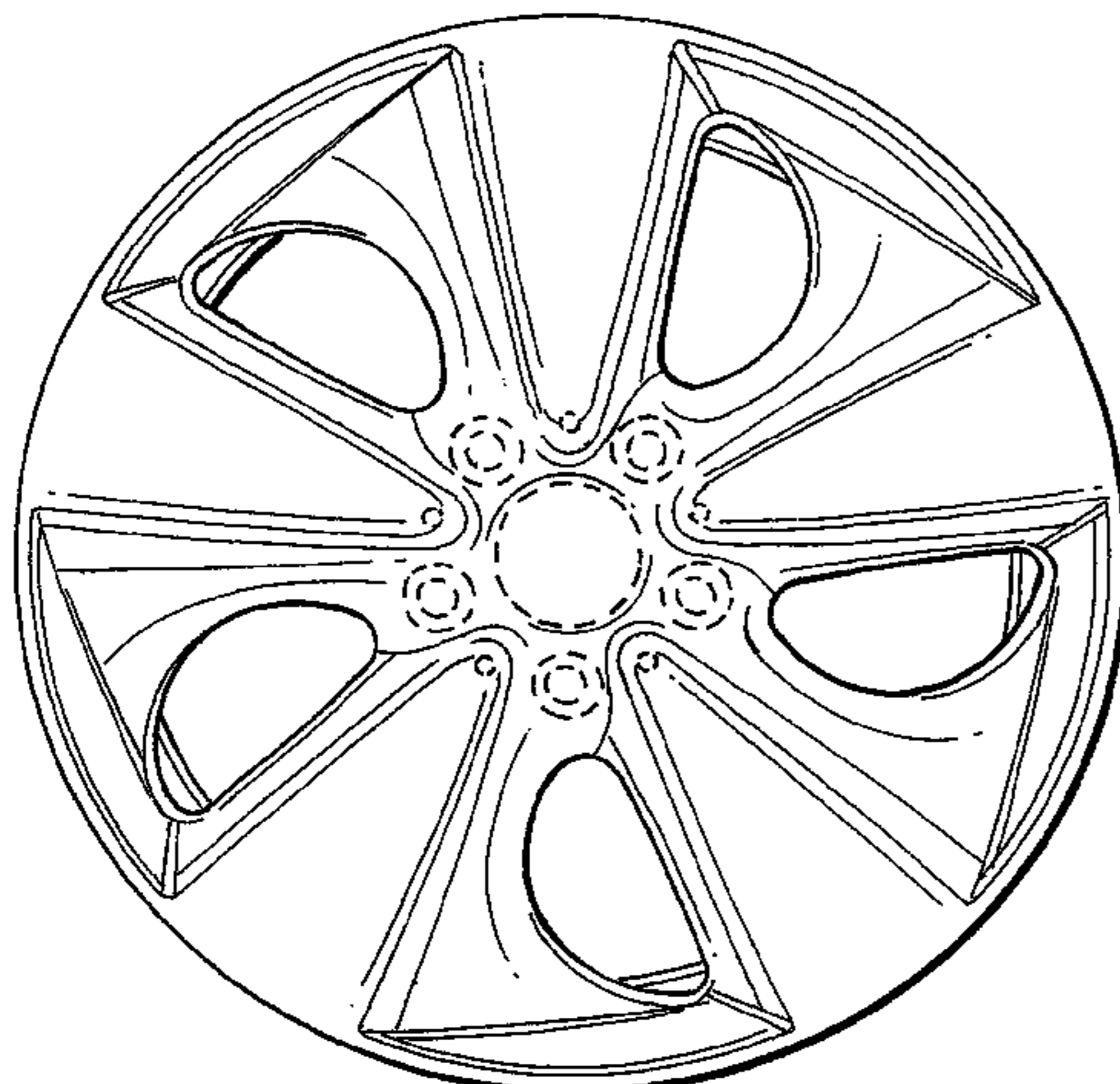
FIG. 2 is a perspective view thereof.

FIG. 3 is a front view of a second embodiment of the wheel or wheel cover according to my design; and,

FIG. 4 is a perspective view thereof.

The broken line showing of the rear of the rim and the bolt holes and center hole in the central hub area is included for the purpose of illustrating environment and forms no part of the claimed design.

**1 Claim, 2 Drawing Sheets**



# US D619,951 S

Page 2

---

| FOREIGN PATENT DOCUMENTS |                |         | EM | 001621541-0002 | 10/2009 |
|--------------------------|----------------|---------|----|----------------|---------|
| EM                       | 000491592-0004 | 4/2007  | EM | 001036552-0002 | 11/2009 |
| EM                       | 000889951-0001 | 4/2008  |    |                |         |
| EM                       | 000997572-0003 | 10/2008 |    |                |         |

\* cited by examiner

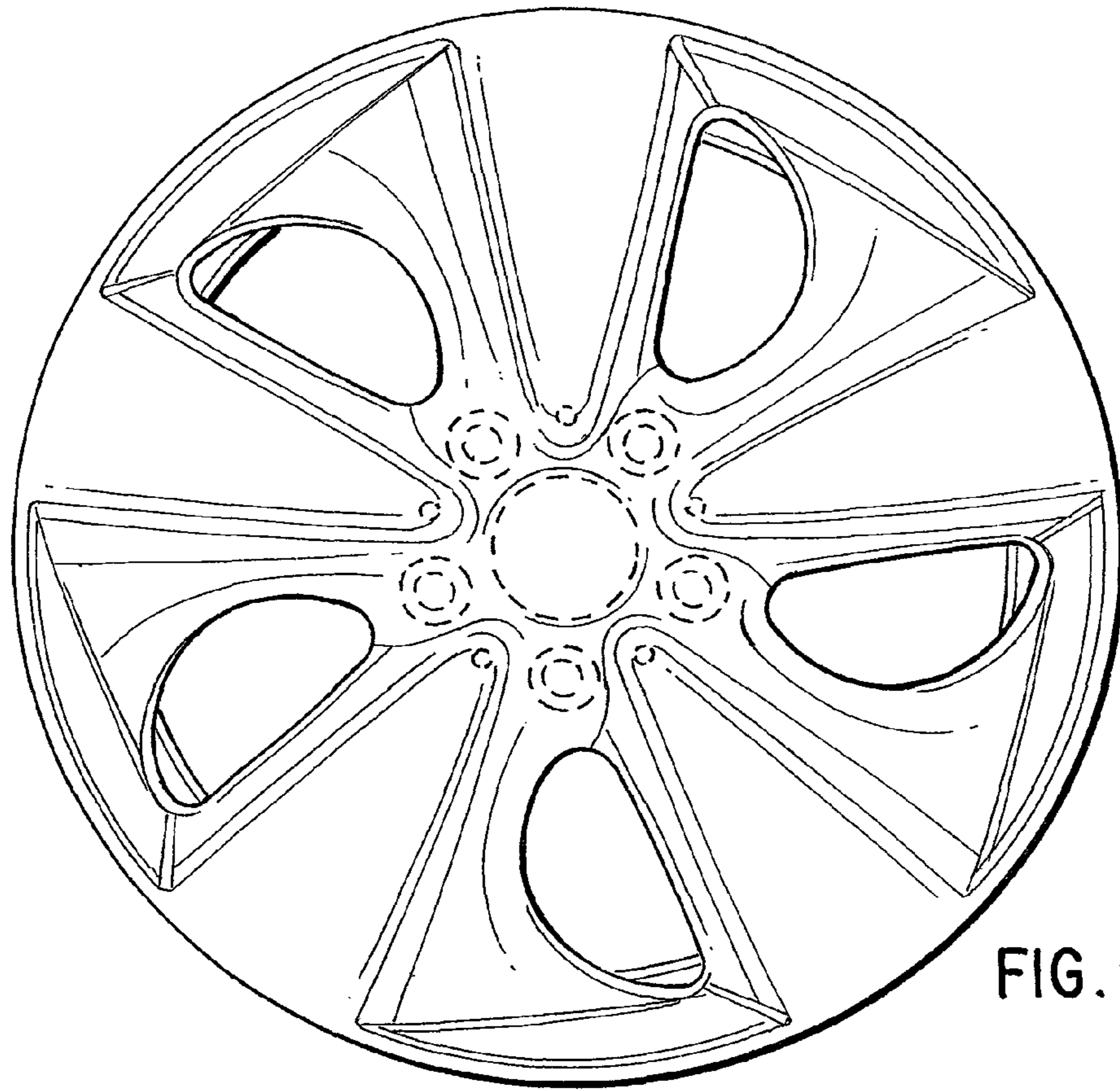


FIG. 1

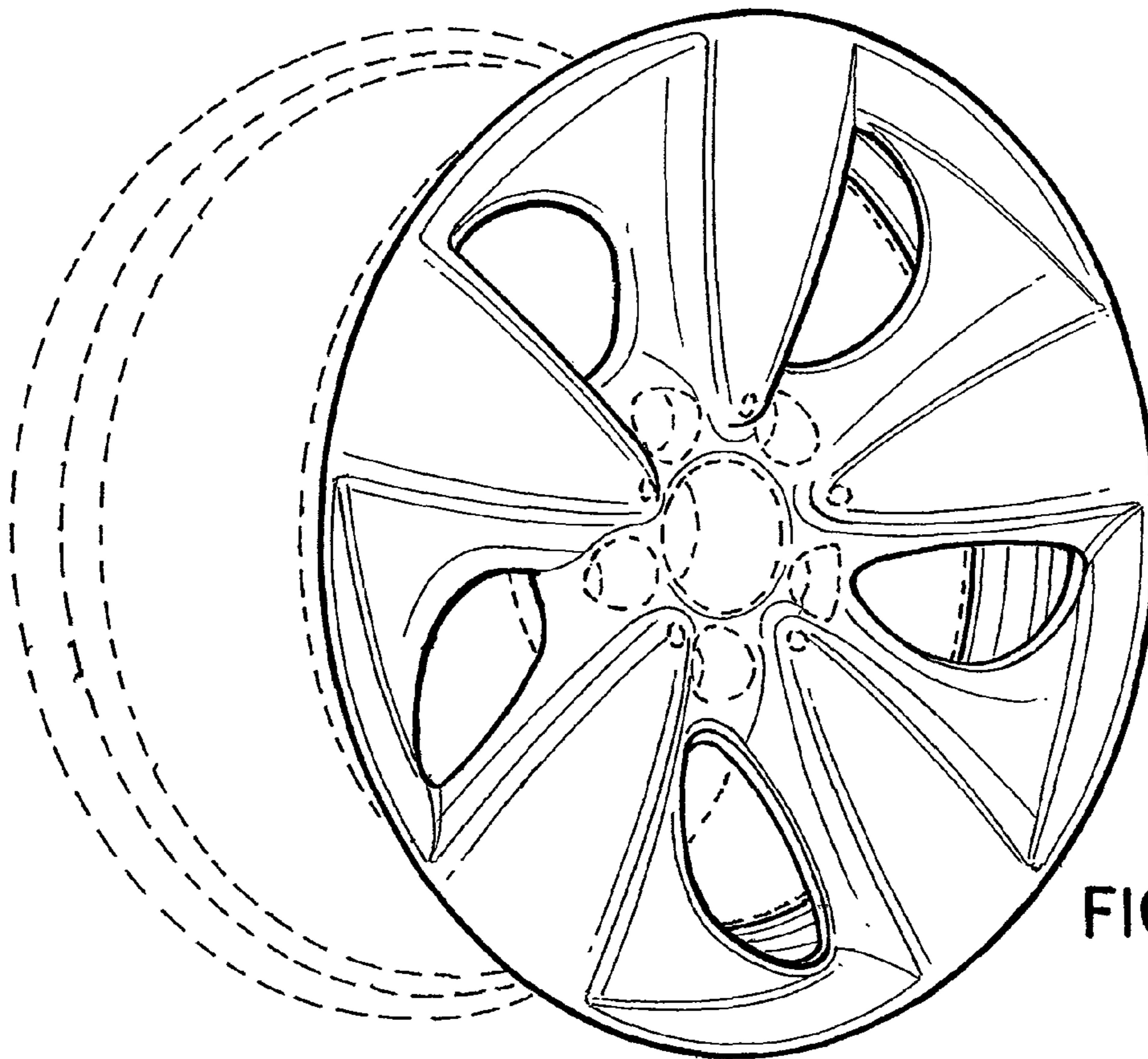


FIG. 2

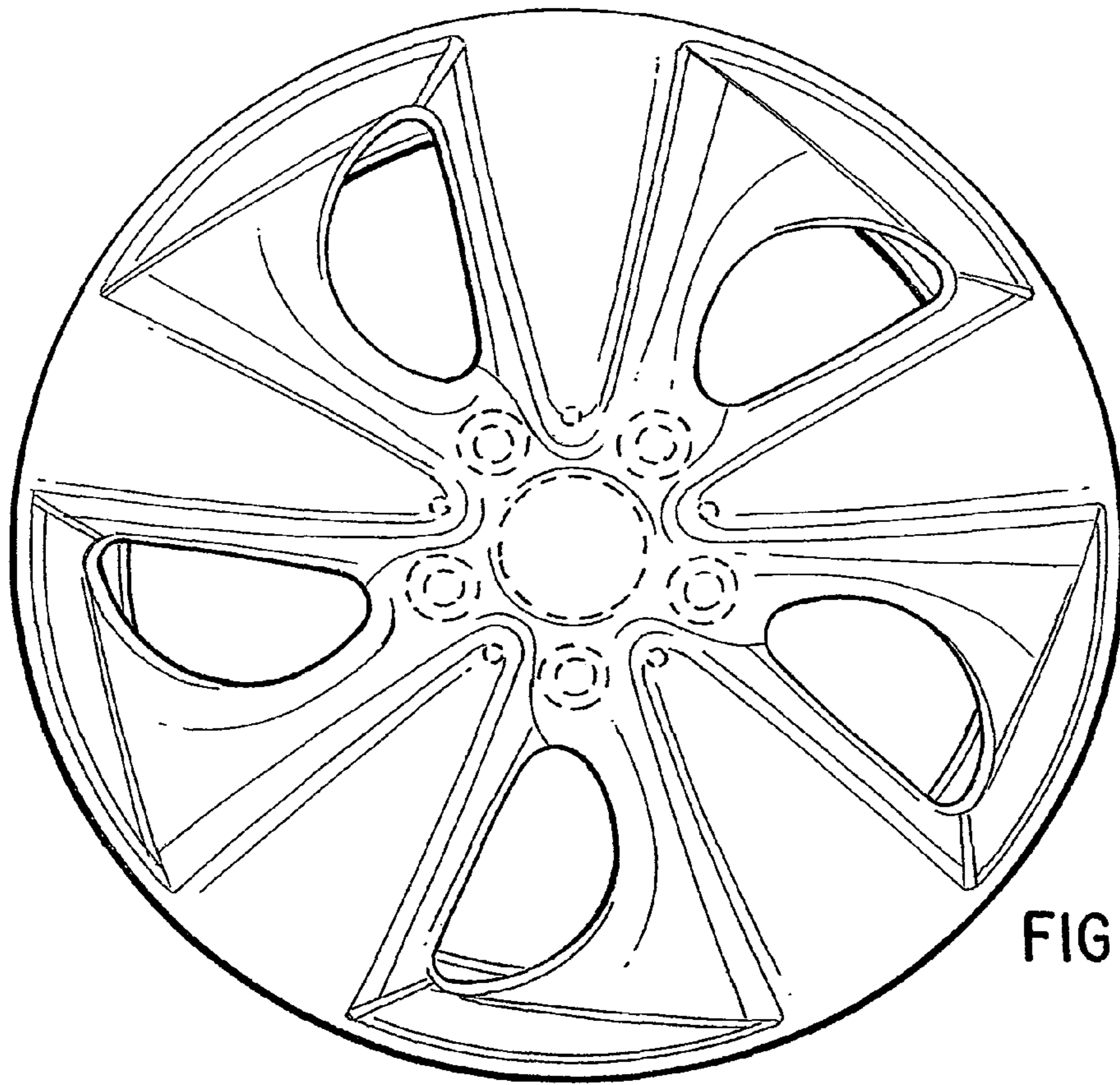


FIG. 3

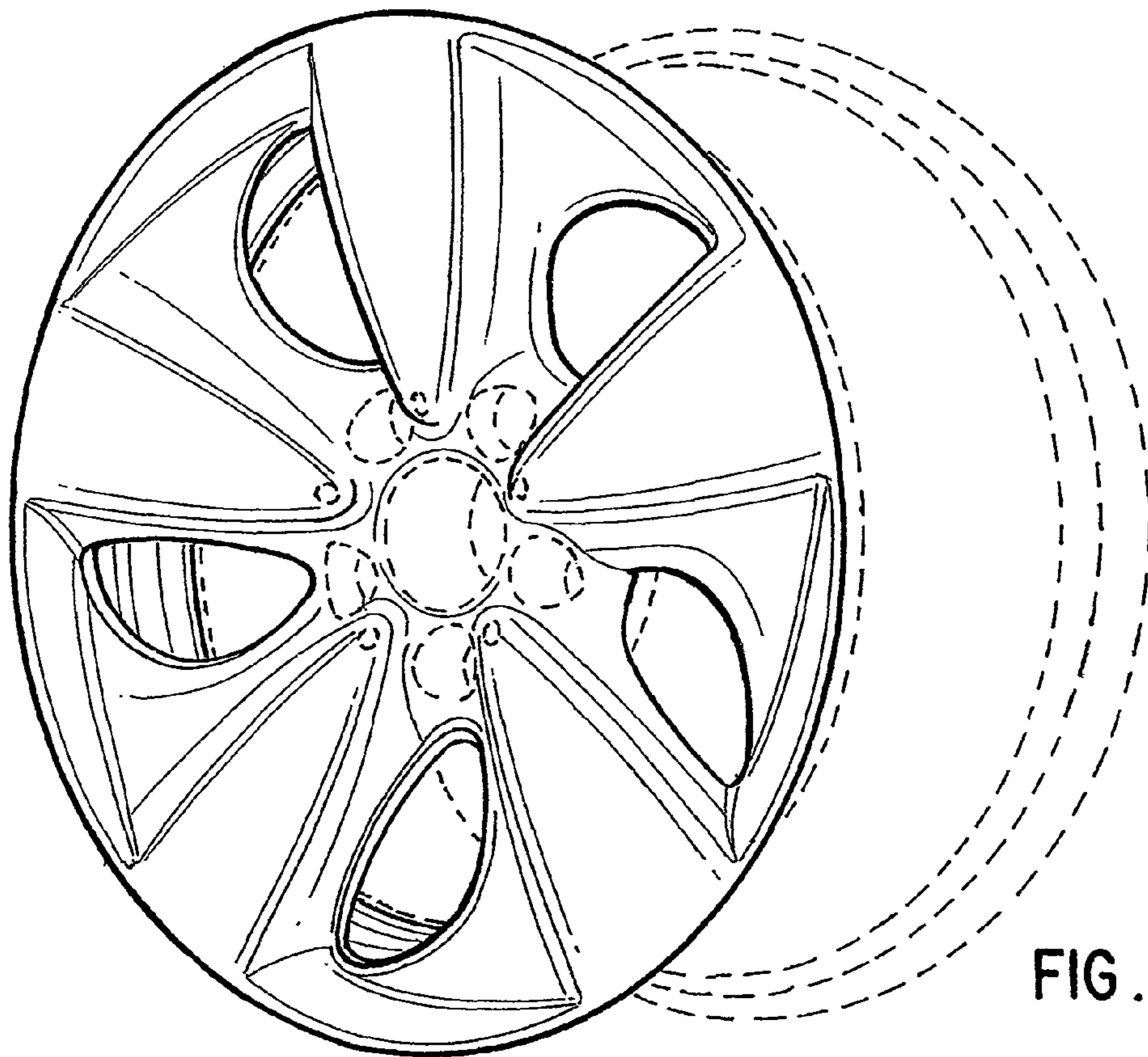


FIG. 4