



US00D619950S

(12) **United States Design Patent**
Antoniadis et al.

(10) **Patent No.:** **US D619,950 S**
(45) **Date of Patent:** **** Jul. 20, 2010**

- (54) **WHEEL OR WHEEL COVER**
- (75) Inventors: **Apostolos Antoniadis**, Sindelfingen (DE); **Gert Stolz**, Kernen (DE)
- (73) Assignee: **Daimler AG**, Stuttgart (DE)
- (**) Term: **14 Years**
- (21) Appl. No.: **29/311,240**
- (22) Filed: **Jan. 27, 2009**
- (30) **Foreign Application Priority Data**
Jul. 28, 2008 (EM) 000977988-0006
- (51) **LOC (9) Cl.** **12-16**
- (52) **U.S. Cl.** **D12/209**
- (58) **Field of Classification Search** D12/204–213;
301/37.101, 64.101, 65
See application file for complete search history.

- (56) **References Cited**
U.S. PATENT DOCUMENTS
598,836 A * 2/1898 Anderson 74/570.1
D579,399 S * 10/2008 Schweizer D12/211
D582,331 S * 12/2008 Blasi D12/209
D582,332 S * 12/2008 Rak D12/209
7,464,995 B2 * 12/2008 Csapo et al. 301/63.107

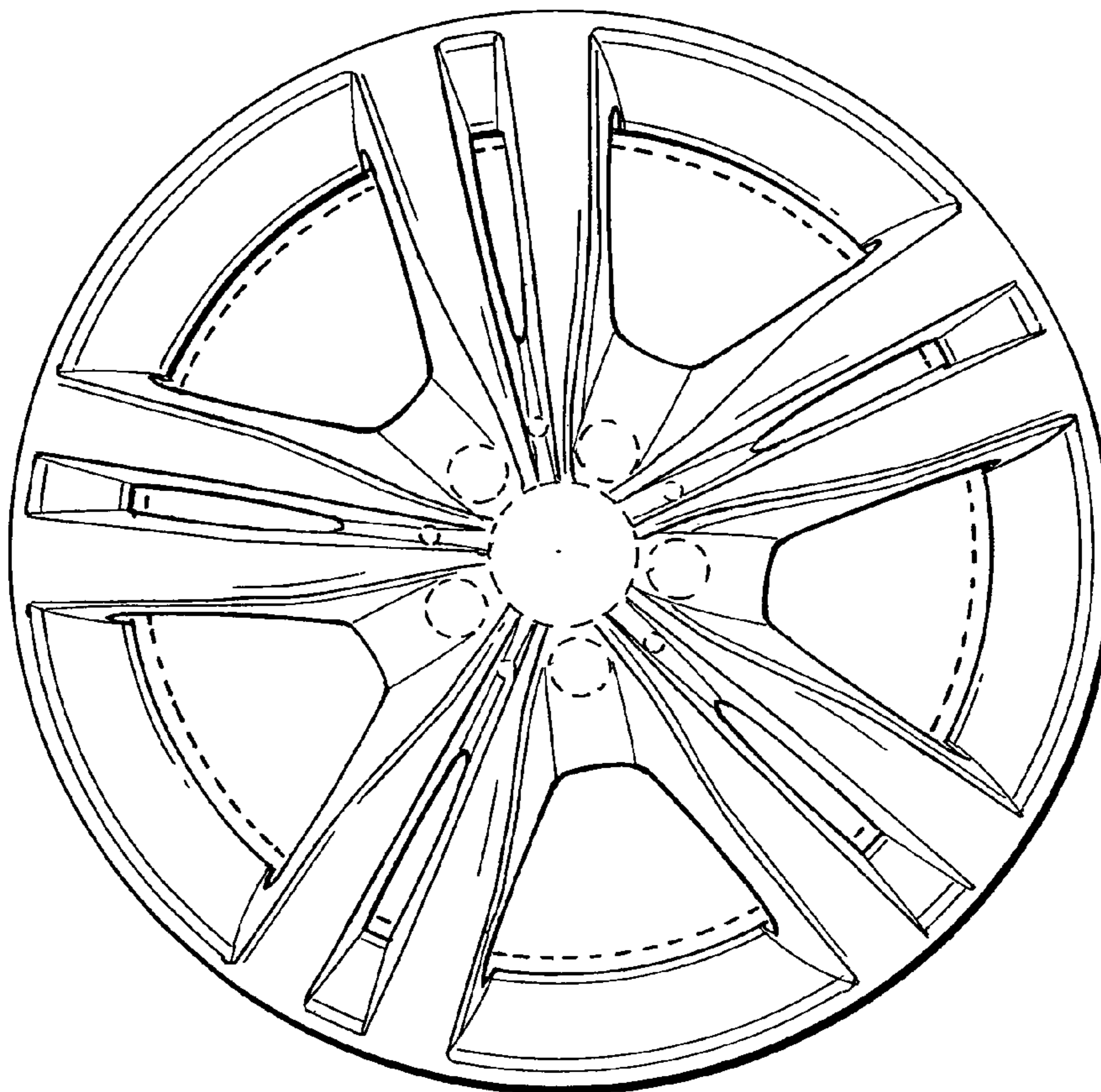
- D590,314 S * 4/2009 Hettler D12/209
- D590,322 S * 4/2009 Rak D12/211
- D591,663 S * 5/2009 Chung D12/211
- 7,559,145 B2 * 7/2009 Jacke et al. 29/894.3
- 7,677,676 B2 * 3/2010 Modlinger et al. 301/6.3
- 2003/0020322 A1 * 1/2003 Zaniboni 301/37.101
- 2005/0017571 A1 * 1/2005 McCorry et al. 301/64.101
- 2007/0222279 A1 * 9/2007 Csapo et al. 301/64.101
- 2008/0211292 A1 * 9/2008 Gartner 301/65
- 2009/0179480 A1 * 7/2009 Modlinger et al. 301/6.3

* cited by examiner
Primary Examiner—Caron Veynar
Assistant Examiner—Katrina A Kile
 (74) *Attorney, Agent, or Firm*—Crowell & Moring LLP

(57) **CLAIM**
 The ornamental design for a wheel or wheel cover, as shown and described.

DESCRIPTION
 FIG. 1 is a front view of a wheel or wheel cover according to our novel design; and,
 FIG. 2 is a perspective view thereof.
 The broken line showing of the rear portion of the wheel rim and the central hub area is included for the purpose of illustrating environment and form no part of the claimed design.

1 Claim, 1 Drawing Sheet



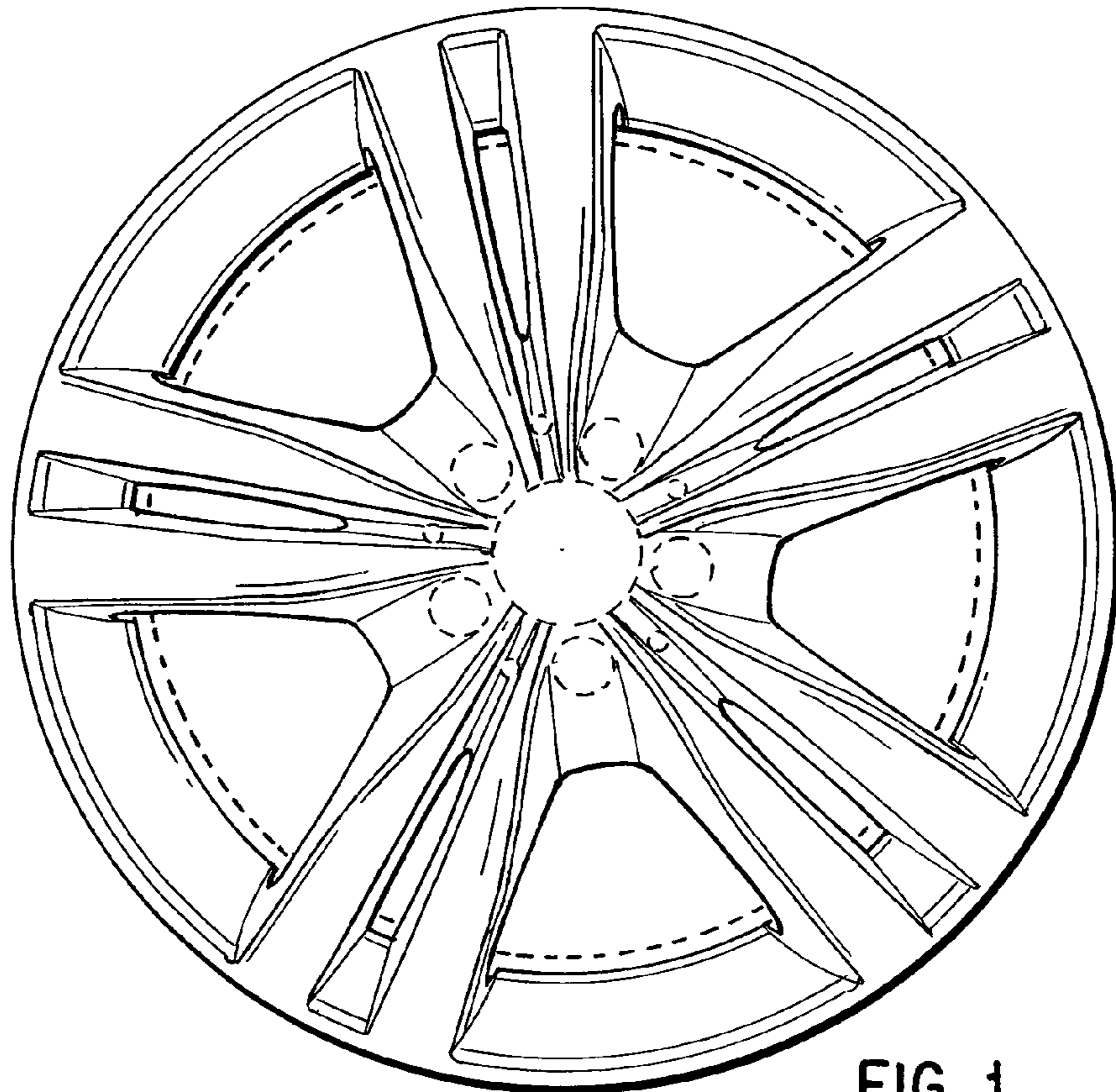


FIG. 1

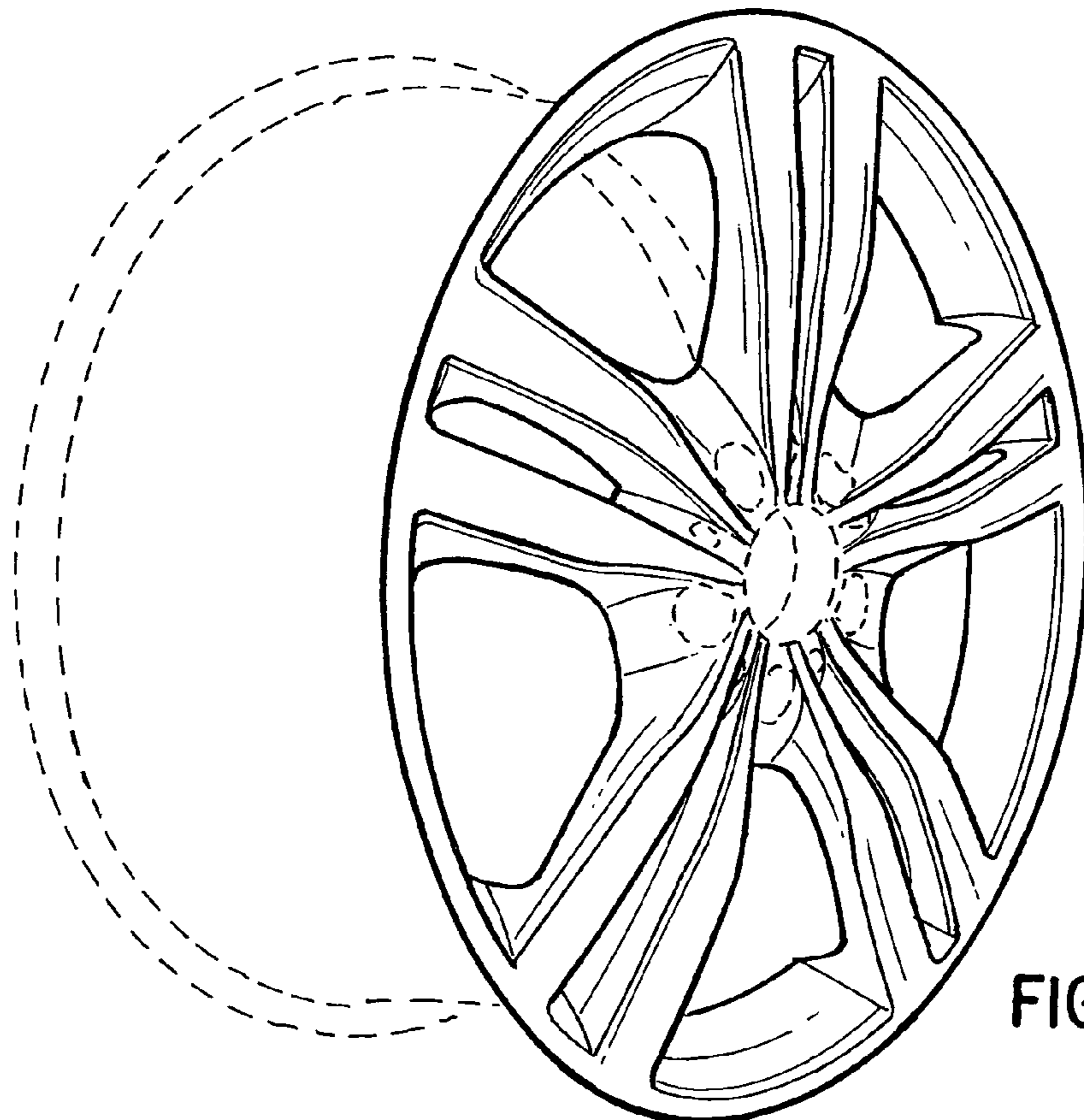


FIG. 2