



US00D619935S

(12) **United States Design Patent**
Lee

(10) **Patent No.:** **US D619,935 S**
(45) **Date of Patent:** **** Jul. 20, 2010**

(54) **BICYCLE FRAME**

D533,811 S * 12/2006 Hoisington et al. D12/111
D533,812 S * 12/2006 Hoisington D12/111

(75) Inventor: **Shu-Jan Lee**, Taipei County (TW)

* cited by examiner

(73) Assignee: **Sillgey Co., Ltd.**, Taipei County

Primary Examiner—Philip S Hyder
Assistant Examiner—Linda G. Brooks

(**) Term: **14 Years**

(21) Appl. No.: **29/347,246**

(57) **CLAIM**

(22) Filed: **Nov. 12, 2009**

The ornamental design for a bicycle frame, as shown and described.

(51) **LOC (9) Cl.** **12-11**

DESCRIPTION

(52) **U.S. Cl.** **D12/111**

FIG. 1 is a perspective view of a bicycle frame;

(58) **Field of Classification Search** D12/111,
D12/117; 280/274, 281, 275–280, 288.1–288.4,
280/267, 259, 283–288

FIG. 2 is a front view thereof;

FIG. 3 is a back view thereof;

FIG. 4 is a left view thereof;

FIG. 5 is a right view thereof;

FIG. 6 is a top view thereof;

FIG. 7 is a bottom view thereof.

See application file for complete search history

FIG. 8 is a perspective view thereof showing in a position of use, wherein the broken lines showing other positions of a bicycle frame illustrate environmental structure that forms no part of the claimed design; and,

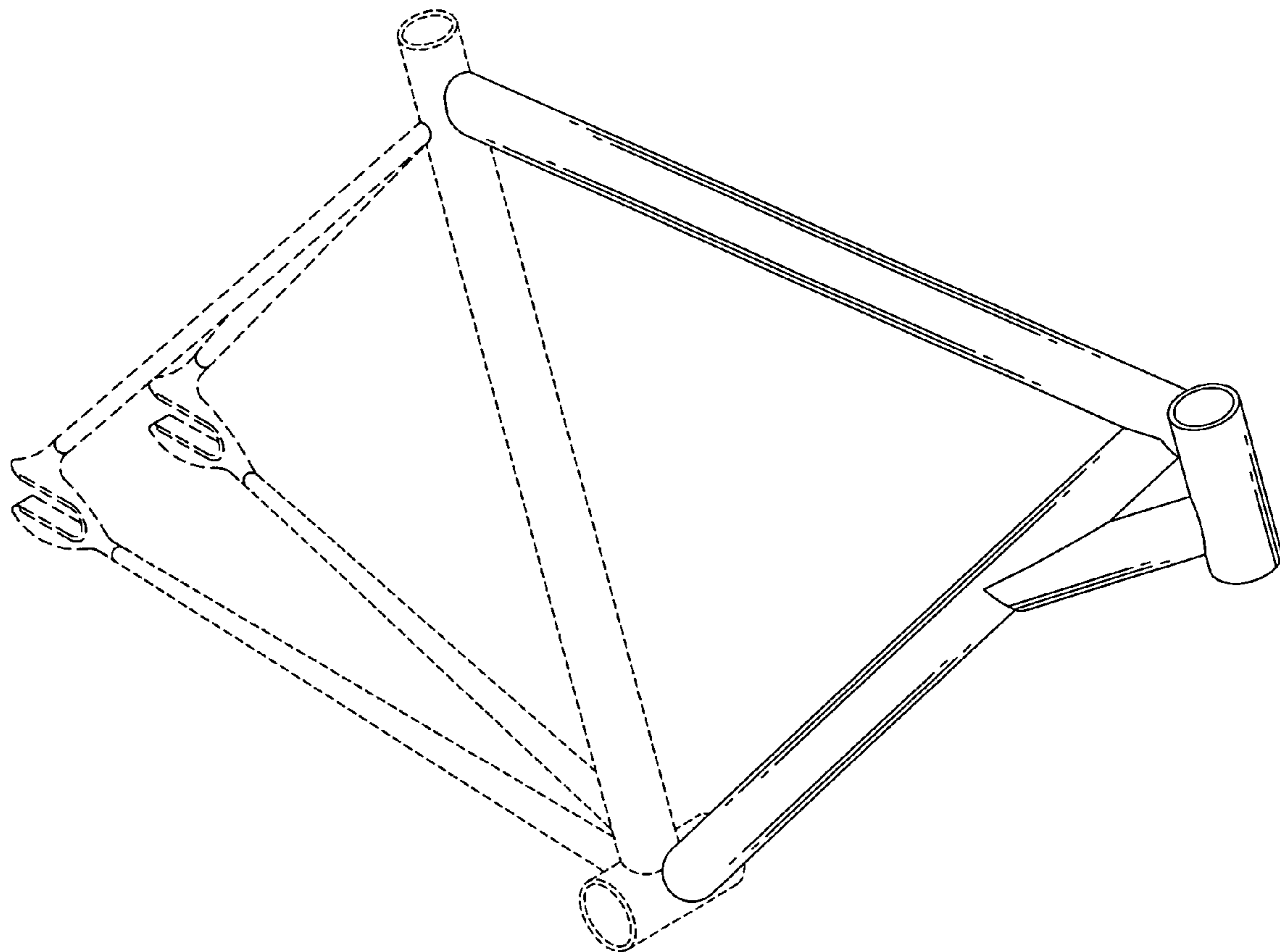
FIG. 9 is a sectional view taken along Line 9—9 in FIG. 4.

(56) **References Cited**

U.S. PATENT DOCUMENTS

5,201,537	A *	4/1993	D’Aluisio	280/281.1
D418,778	S *	1/2000	Allen et al.	D12/111
D419,110	S *	1/2000	Allen et al.	D12/111
D419,111	S *	1/2000	Allen et al.	D12/111
D513,210	S *	12/2005	Piszkin	D12/111
D517,452	S *	3/2006	Hickman	D12/111

1 Claim, 6 Drawing Sheets



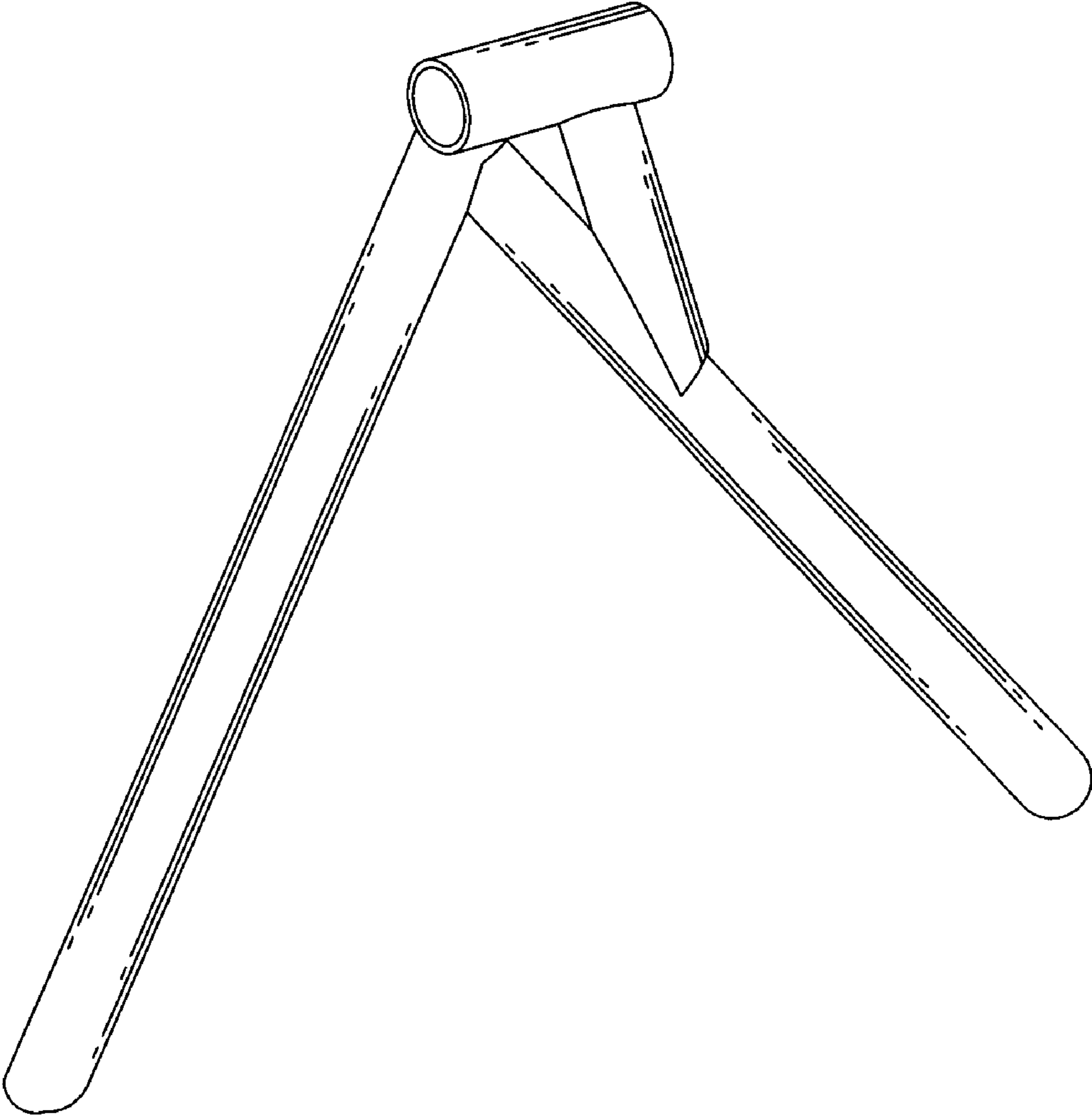


FIG.1

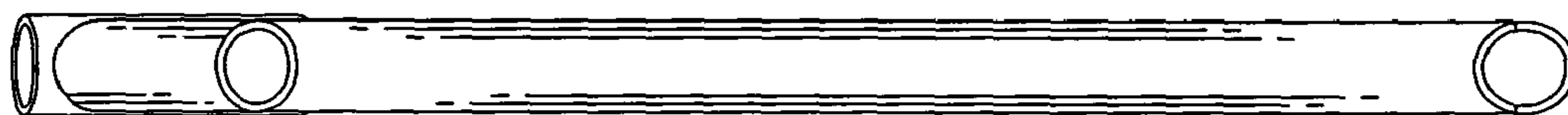


FIG.3

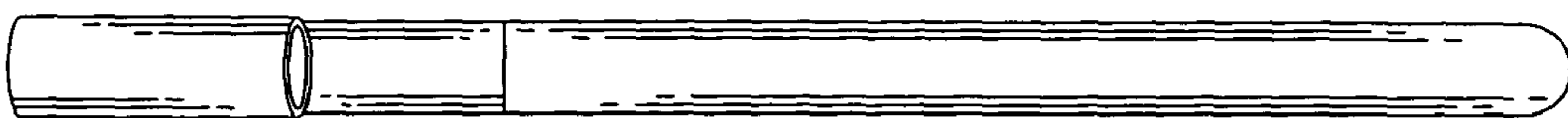


FIG.2

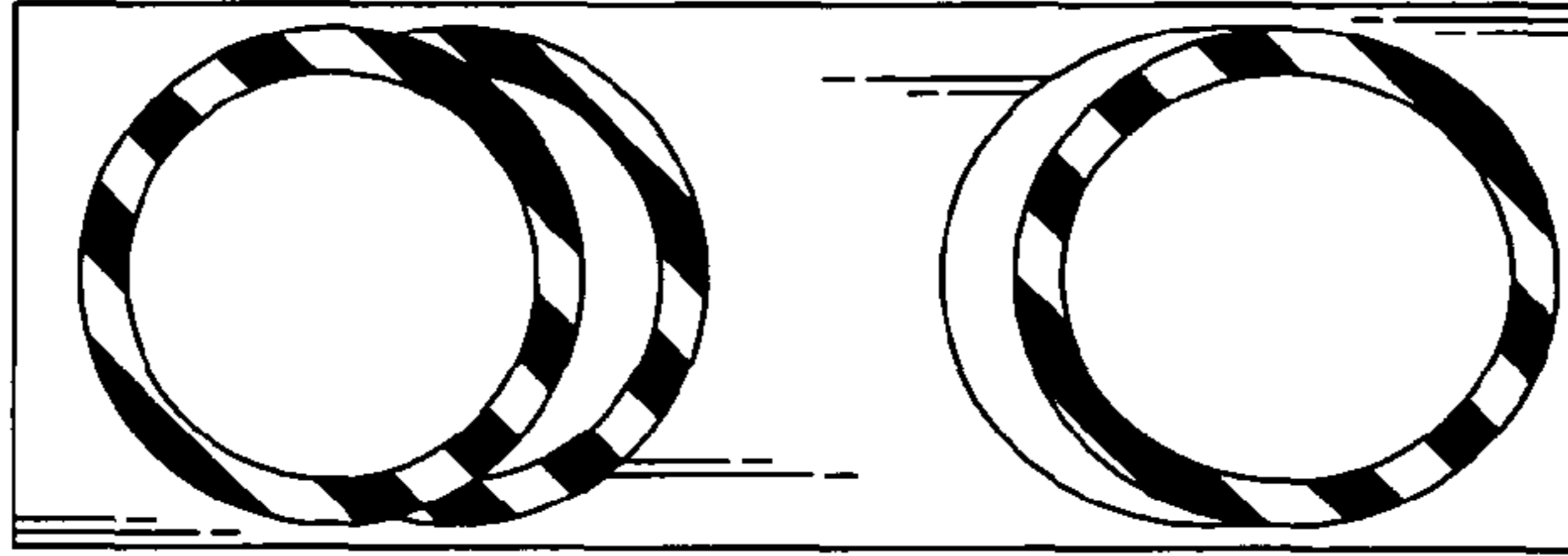


FIG. 9

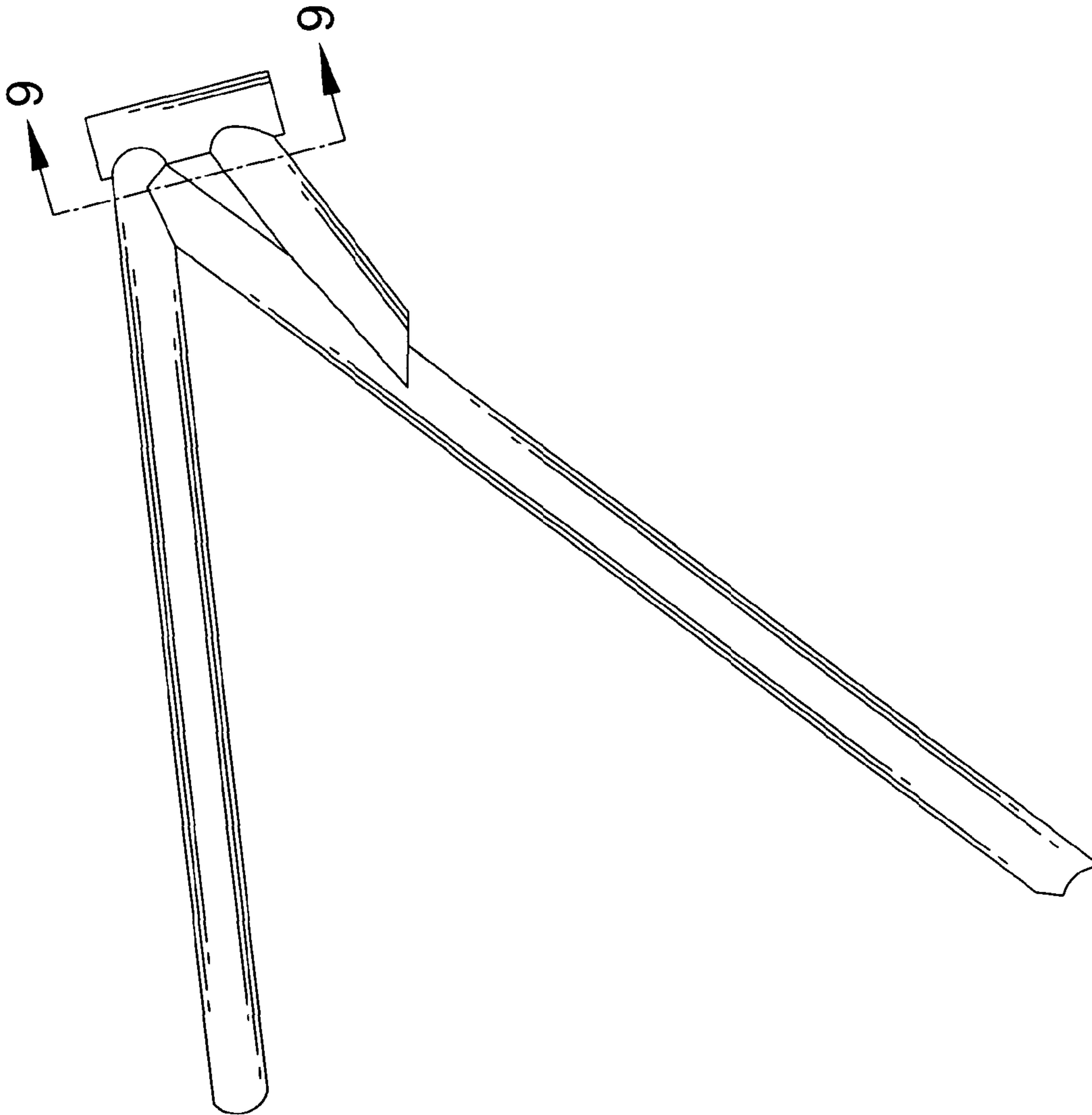


FIG. 4

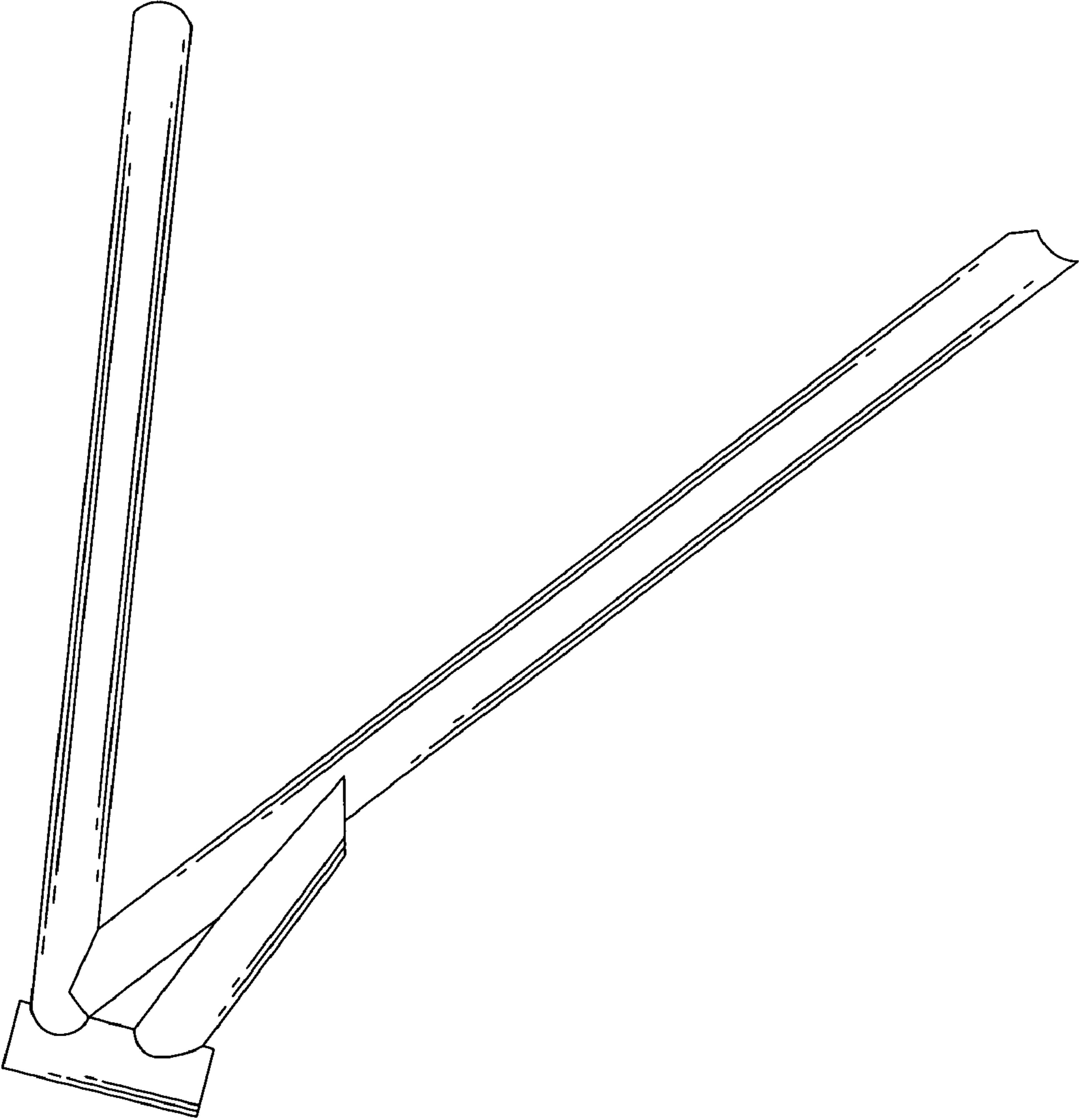


FIG.5

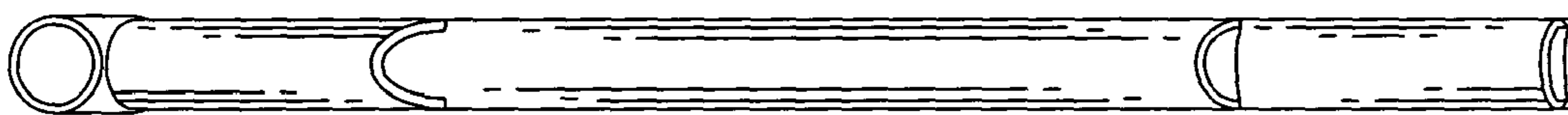


FIG. 7

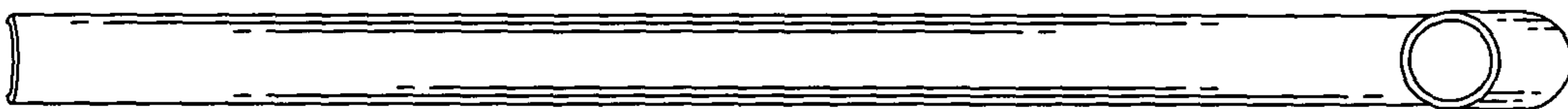


FIG. 6

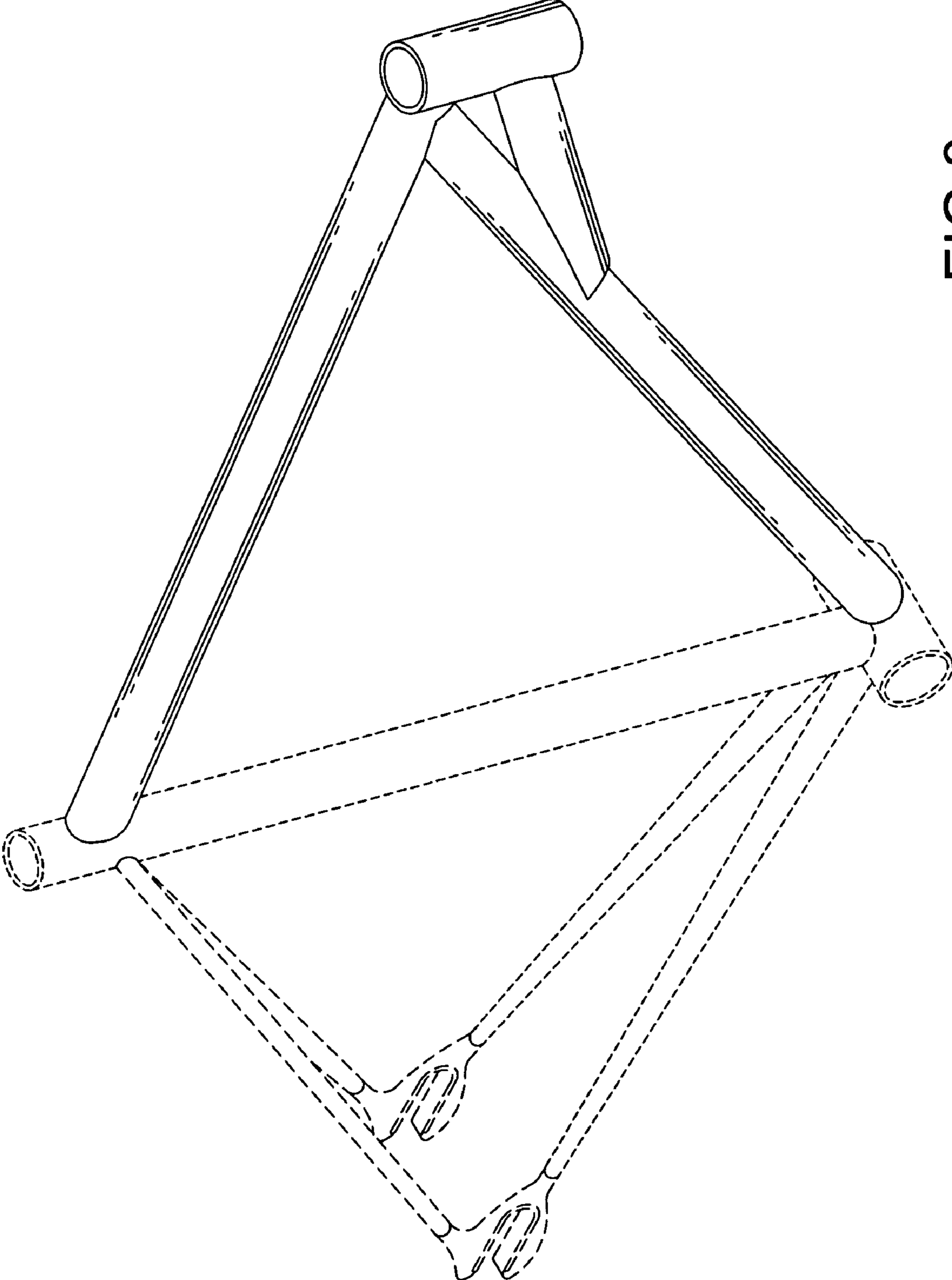


FIG.8