



US00D619934S

(12) **United States Design Patent**
Li

(10) **Patent No.:** **US D619,934 S**
(45) **Date of Patent:** **** Jul. 20, 2010**

(54) **MOTORCYCLE**

- (75) Inventor: **Haihong Li**, Linhai (CN)
- (73) Assignee: **Kaikai Meiduo Motorcycle Co., Ltd.**,
Taizhou, Zhejiang (CN)
- (**) Term: **14 Years**
- (21) Appl. No.: **29/347,414**
- (22) Filed: **Dec. 28, 2009**

(30) **Foreign Application Priority Data**

Oct. 22, 2009 (CN) 2009 3 0159287

- (51) **LOC (9) Cl.** **12-11**
 - (52) **U.S. Cl.** **D12/110**
 - (58) **Field of Classification Search** **D12/110;**
180/219
- See application file for complete search history.

(56) **References Cited**

U.S. PATENT DOCUMENTS

- 2,109,316 A * 2/1938 Harley 180/219
- D149,968 S * 6/1948 Oertle et al. D12/110
- 3,024,860 A * 3/1962 Nicolai 180/224
- 6,598,893 B2 * 7/2003 Parigian 280/284

OTHER PUBLICATIONS

1949 Red Indian Arrow. [Retrieved on Mar. 26, 2010]. Retrieved from the Internet <URL: <http://austin.olx.com/1949-red-indian-for-sale-in-austin-tx-78737-iid-45677851>>. 4 pages.*
Chopper on p. 6 of 11, posted on May 12, 2007. [Retrieved on Mar. 26, 2010]. Retrieved from the Internet <URL: <http://moblog.net/view/247829/lola-and-rick>>.*

* cited by examiner

Primary Examiner—Susan M. Lee
Assistant Examiner—Linda G. Brooks

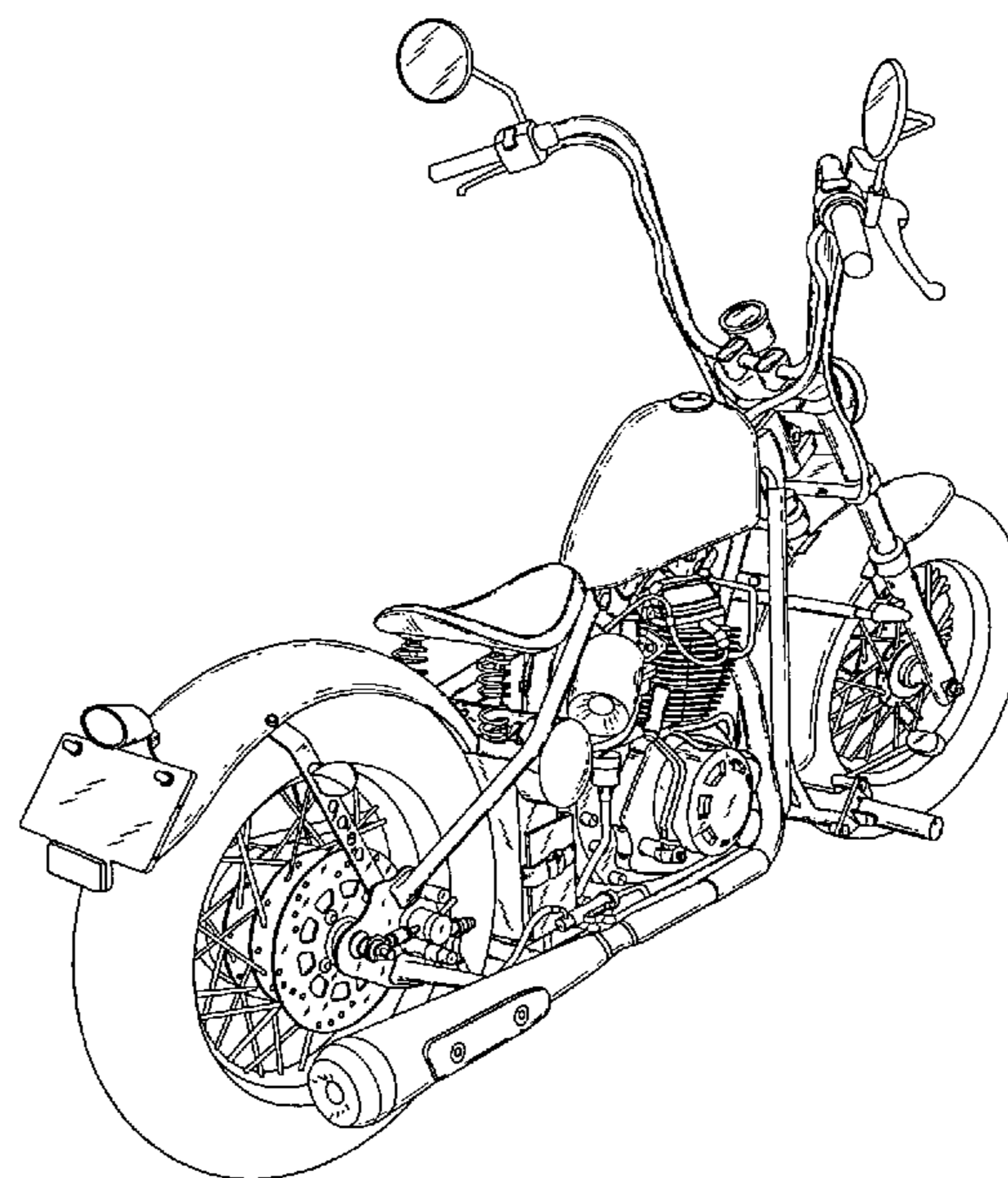
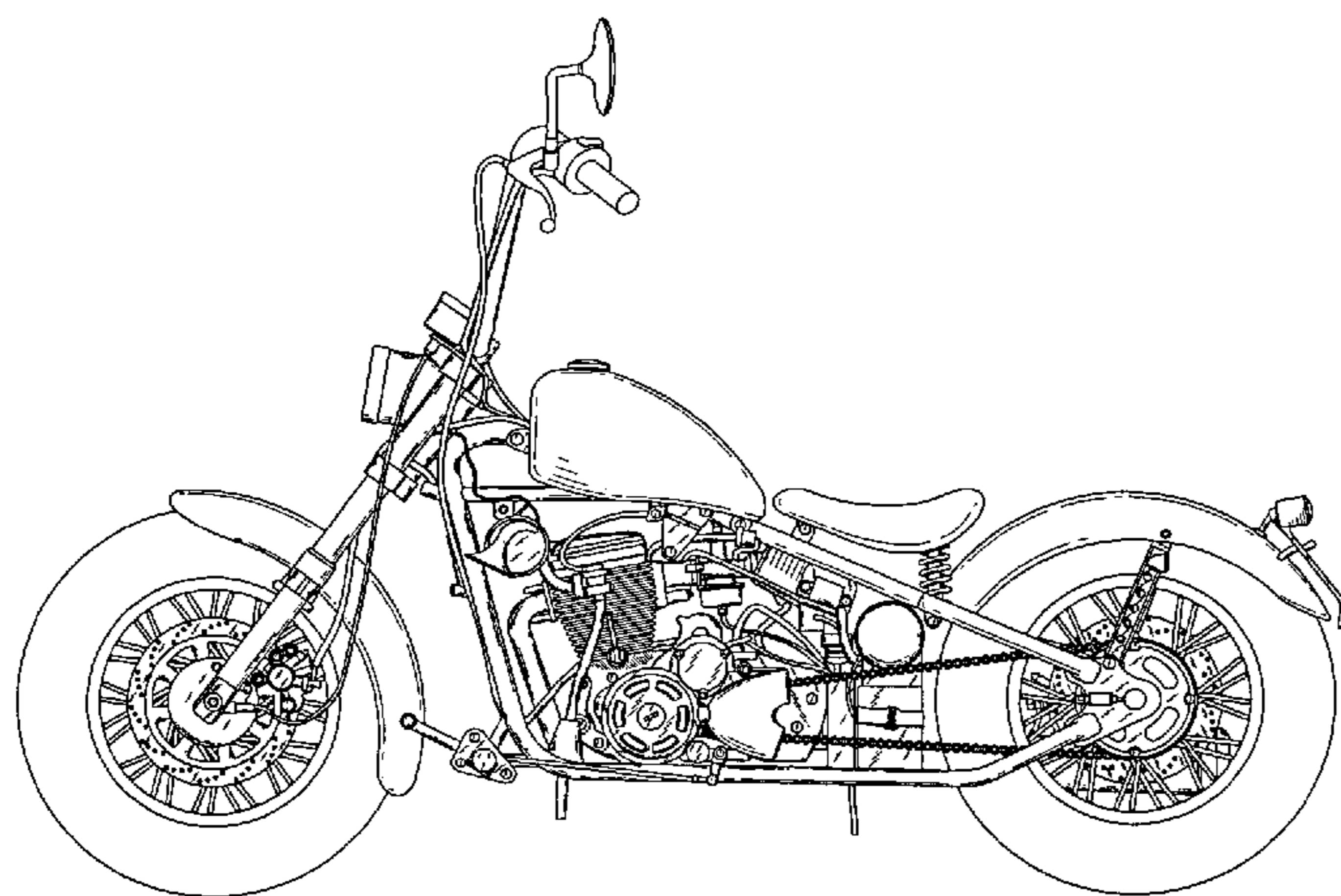
(57) **CLAIM**

The ornamental design for a motorcycle, as shown and described.

DESCRIPTION

FIG. 1 is a left side elevational view of a motorcycle showing my new design;
FIG. 2 is a right side elevational view thereof;
FIG. 3 is a front side elevational view thereof;
FIG. 4 is a rear side elevational view thereof;
FIG. 5 is a top plan view thereof; and,
FIG. 6 is a right rear perspective view thereof.

1 Claim, 3 Drawing Sheets



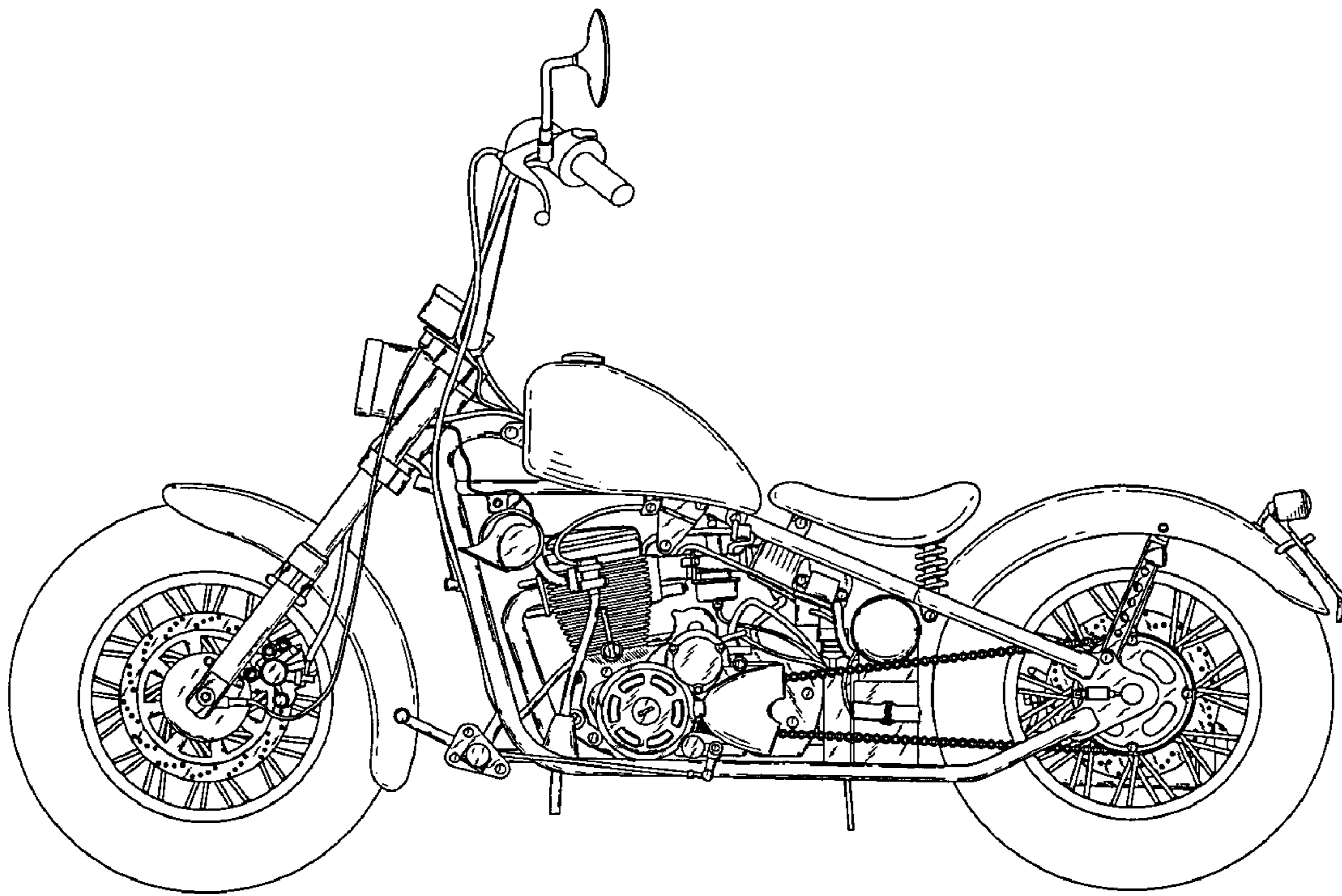


Fig.1

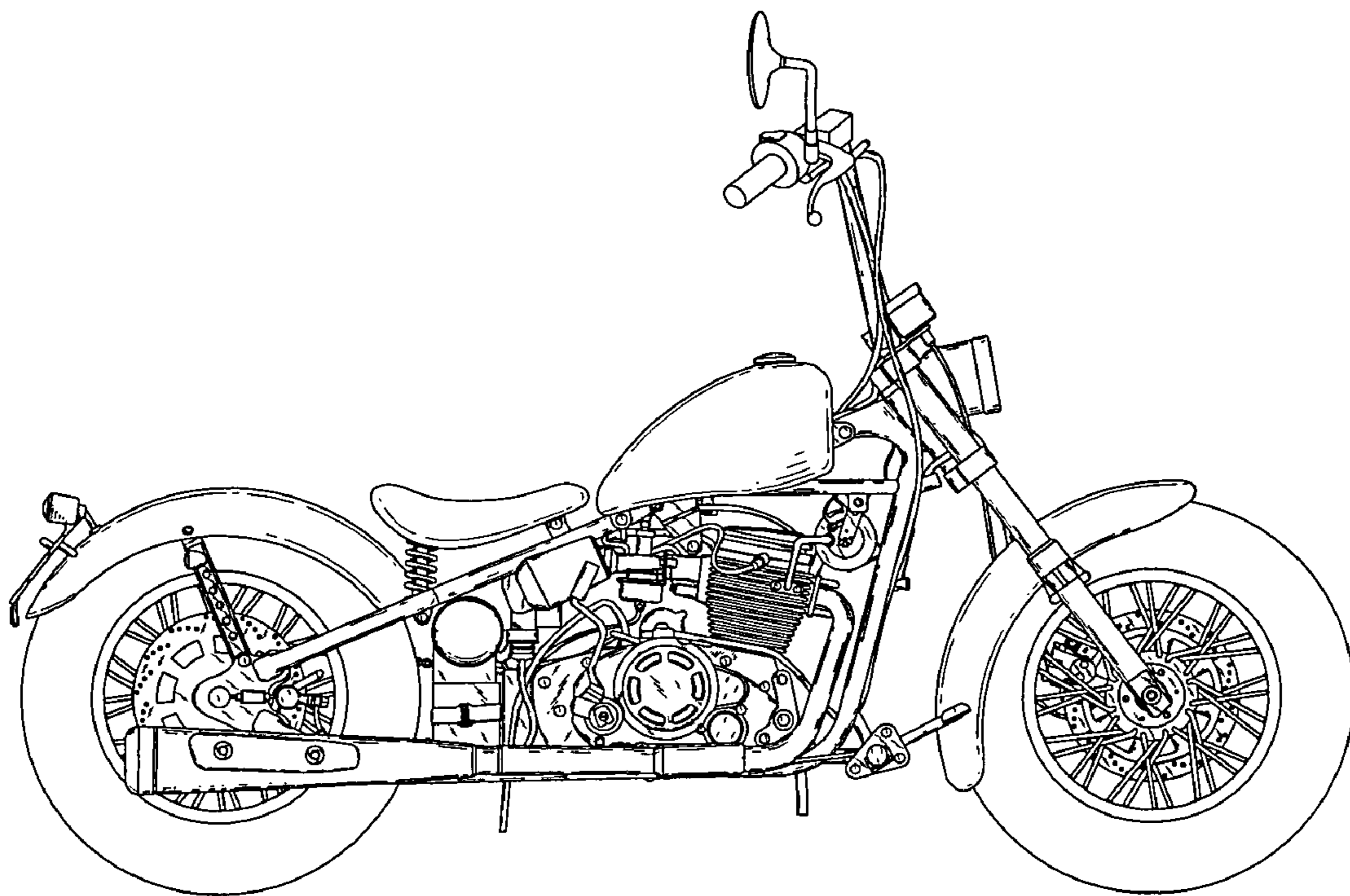


Fig.2

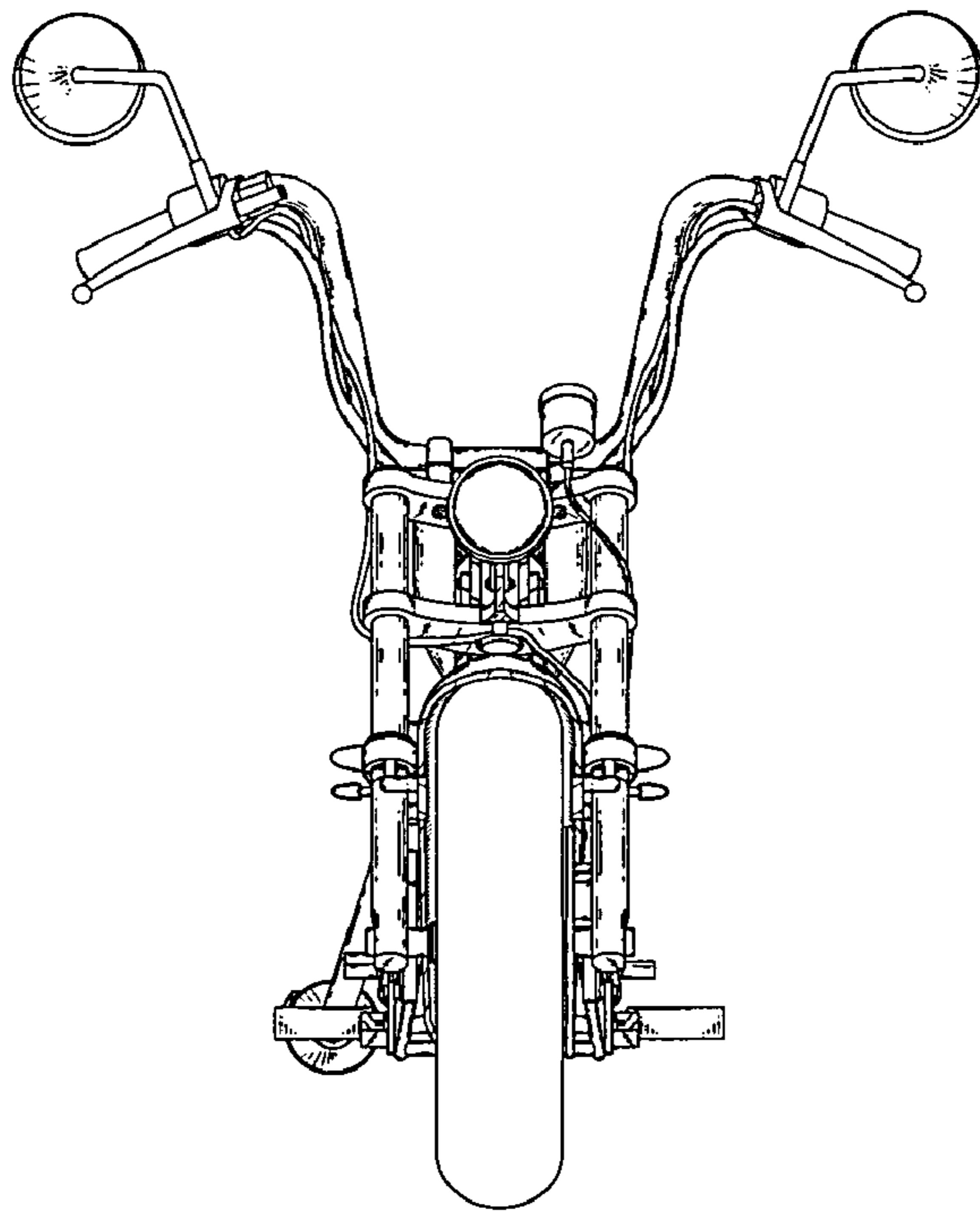


Fig.3

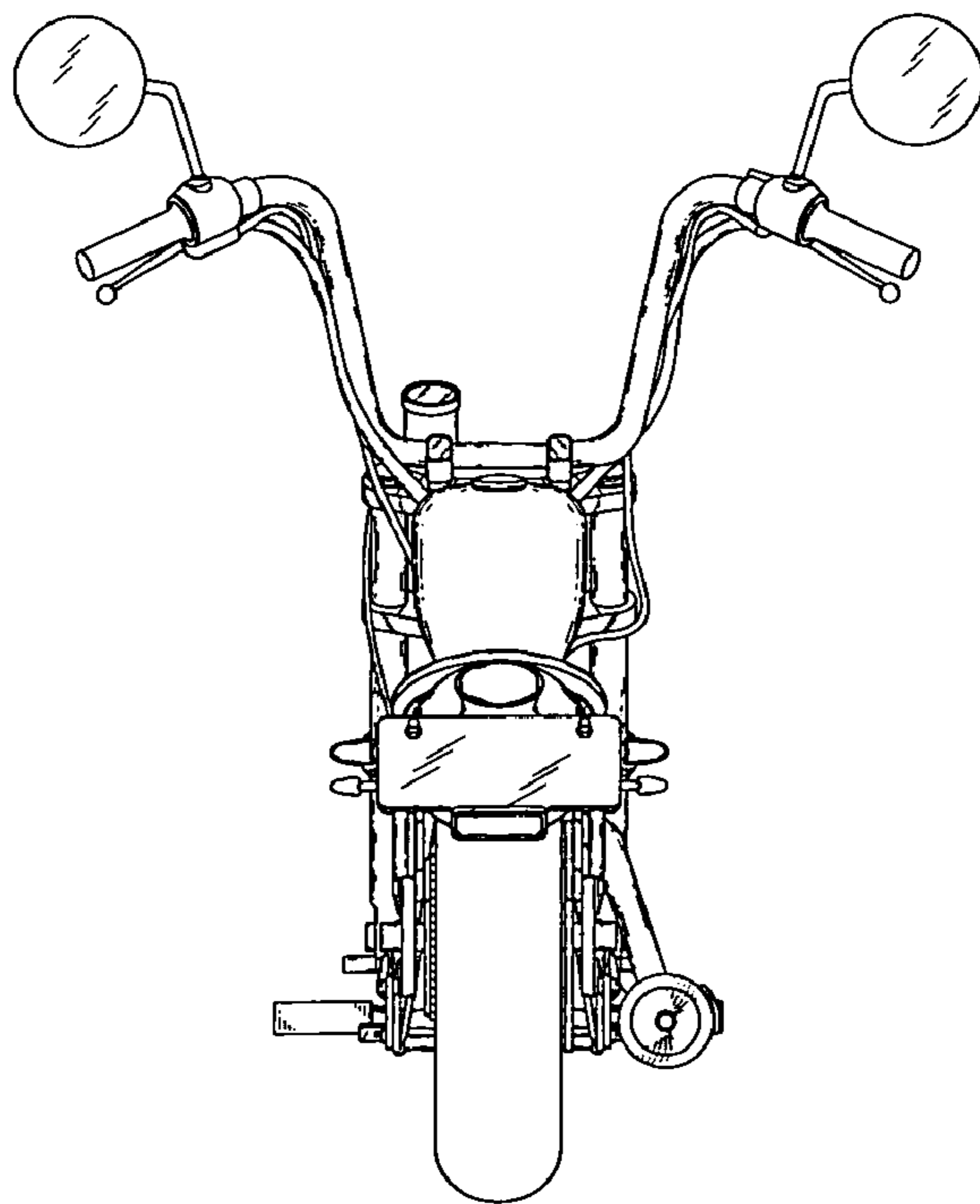


Fig.4

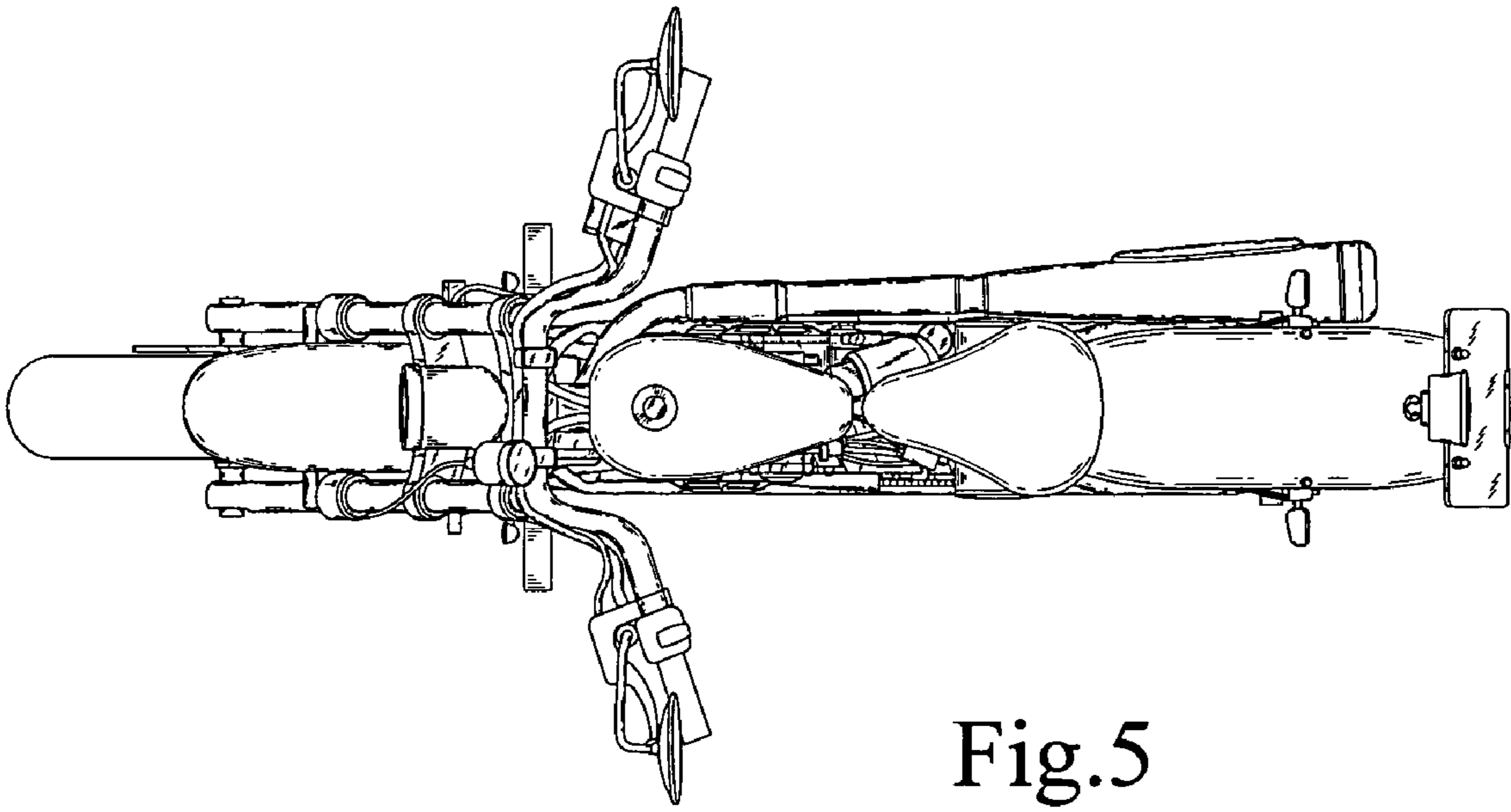


Fig.5

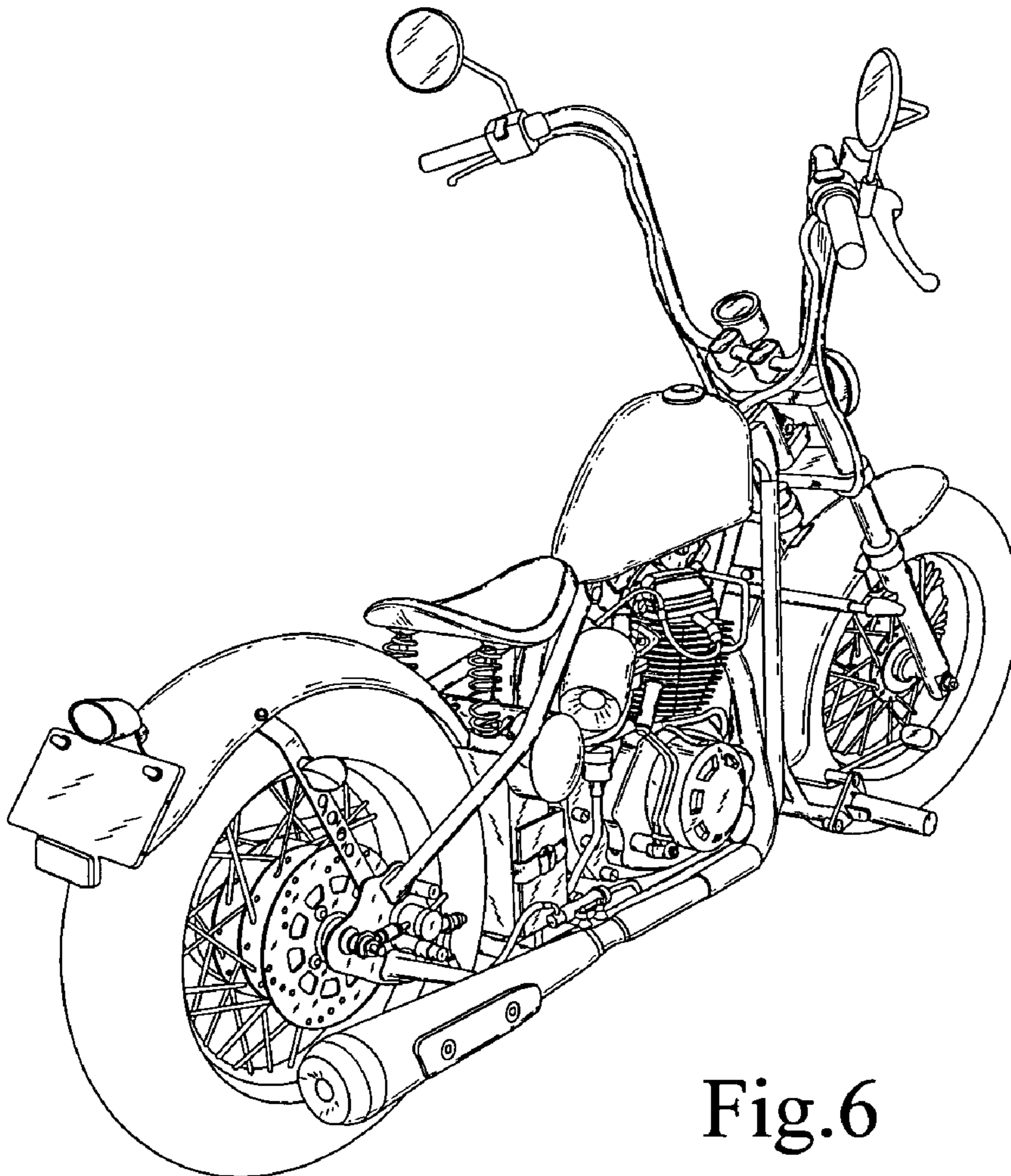


Fig.6