



US00D619933S

(12) **United States Design Patent**
McIntosh et al.

(10) **Patent No.:** **US D619,933 S**
(45) **Date of Patent:** **** Jul. 20, 2010**

(54) **UTILITY TRAILER**

(75) Inventors: **Anthony McIntosh**, Waukesha, WI
(US); **Douw Vang**, South Milwaukee, WI
(US)

(73) Assignee: **BHP, LLC**, West Allis, WI (US)

(**) Term: **14 Years**

(21) Appl. No.: **29/332,638**

(22) Filed: **Feb. 20, 2009**

(51) **LOC (9) Cl.** **12-10**

(52) **U.S. Cl.** **D12/101**

(58) **Field of Classification Search** D12/19,
D12/129, 101-106, 111-112; D21/424,
D21/435; D34/21-26, 12, 14, 17-19; 280/204,
280/63, 475, 482, 648, 763.1, 47.25; 296/173,
296/181, 10, 61, 100.01-100.08
See application file for complete search history.

(56) **References Cited**

U.S. PATENT DOCUMENTS

3,266,836	A *	8/1966	Taylor et al.	410/54
D352,722	S *	11/1994	Mandell et al.	D15/27
D369,328	S *	4/1996	Acosta	D12/101
D513,717	S *	1/2006	Wittkowski	D12/101
D522,409	S *	6/2006	Wittkowski	D12/101
7,527,281	B1 *	5/2009	Rowland et al.	280/491.1

2006/0226625	A1 *	10/2006	Balscheit	280/204
2009/0108614	A1 *	4/2009	Washington	296/61
2009/0243331	A1 *	10/2009	Spencer et al.	296/100.01
2009/0243832	A1 *	10/2009	Hyde et al.	340/505

* cited by examiner

Primary Examiner—Caron Veynar

Assistant Examiner—Katrina A Kile

(74) *Attorney, Agent, or Firm*—Boyle Fredrickson, S.C.

(57) **CLAIM**

The ornamental design of a utility trailer, as shown and described.

DESCRIPTION

FIG. 1 is a front perspective view of a utility trailer in accordance with the new design;

FIG. 2 is a right side view of the utility trailer;

FIG. 3 is a left side of the utility trailer of FIG. 1;

FIG. 4 is a front end view of the utility trailer of FIG. 1;

FIG. 5 is a rear end view of the utility trailer of FIG. 1;

FIG. 6 is a top plan view of the utility trailer of FIG. 1; and,

FIG. 7 is a bottom plan view of the utility trailer of FIG. 1.

In the drawings, the broken lines depict portions of a utility trailer and form no part of the claimed design.

1 Claim, 5 Drawing Sheets

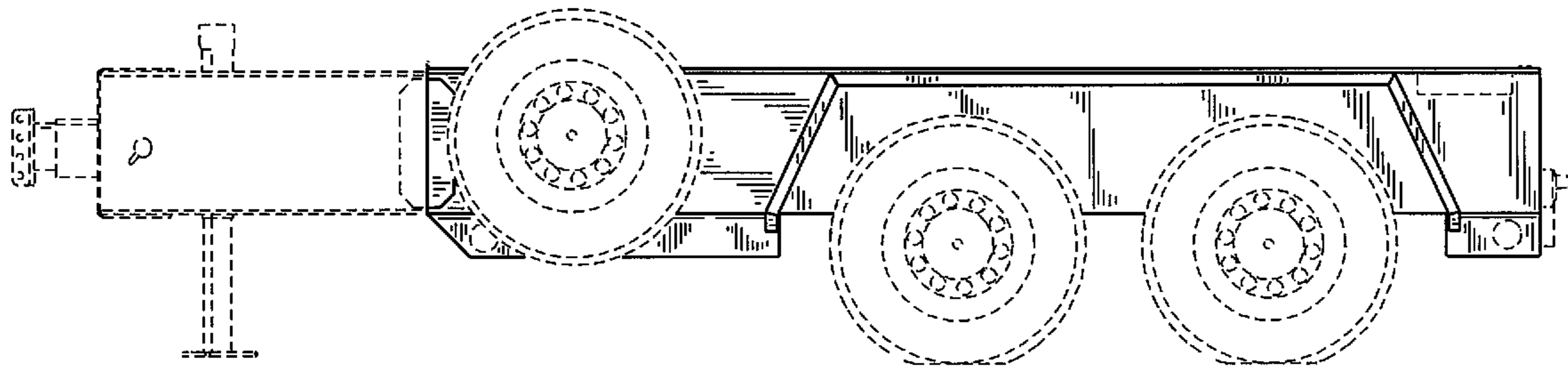
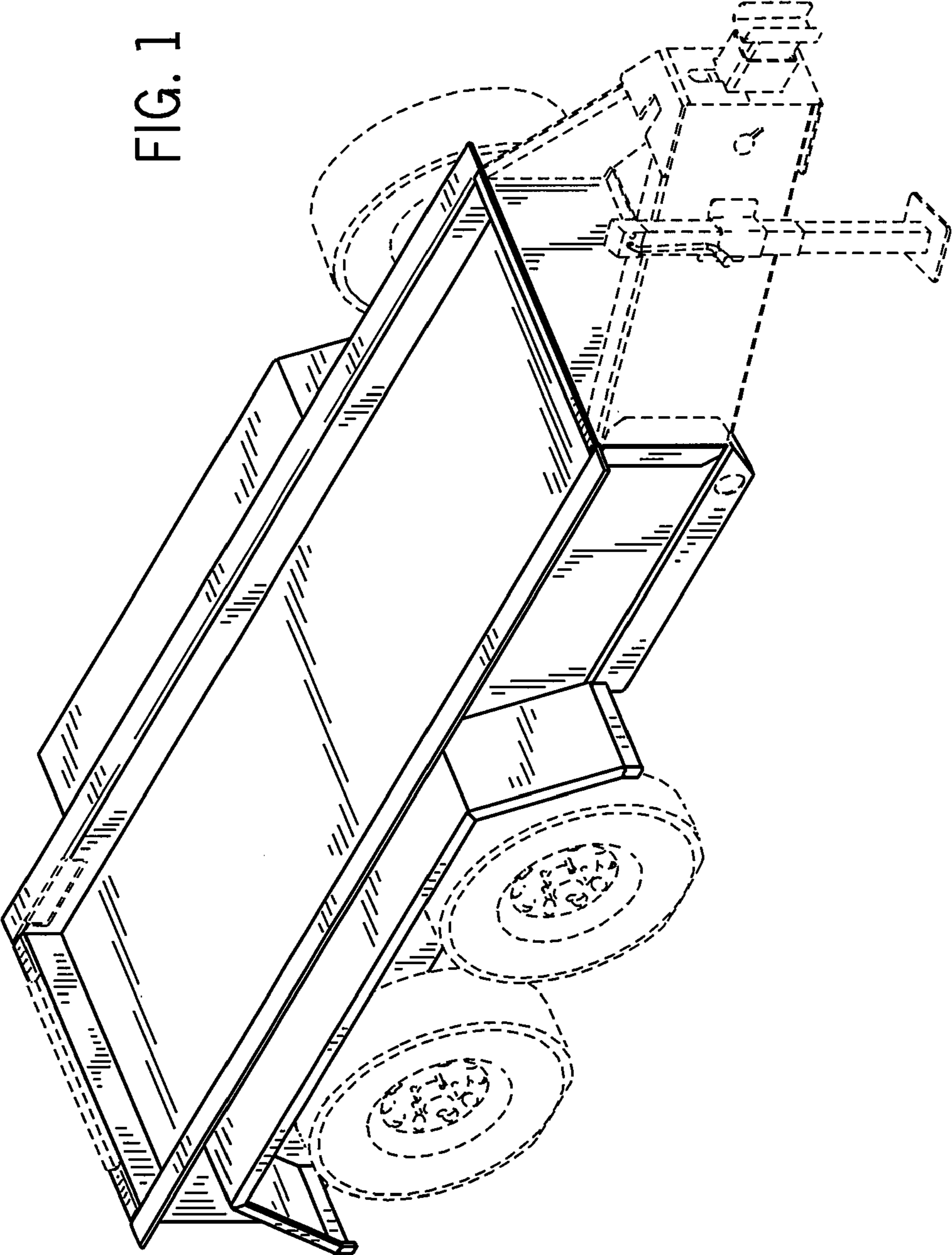
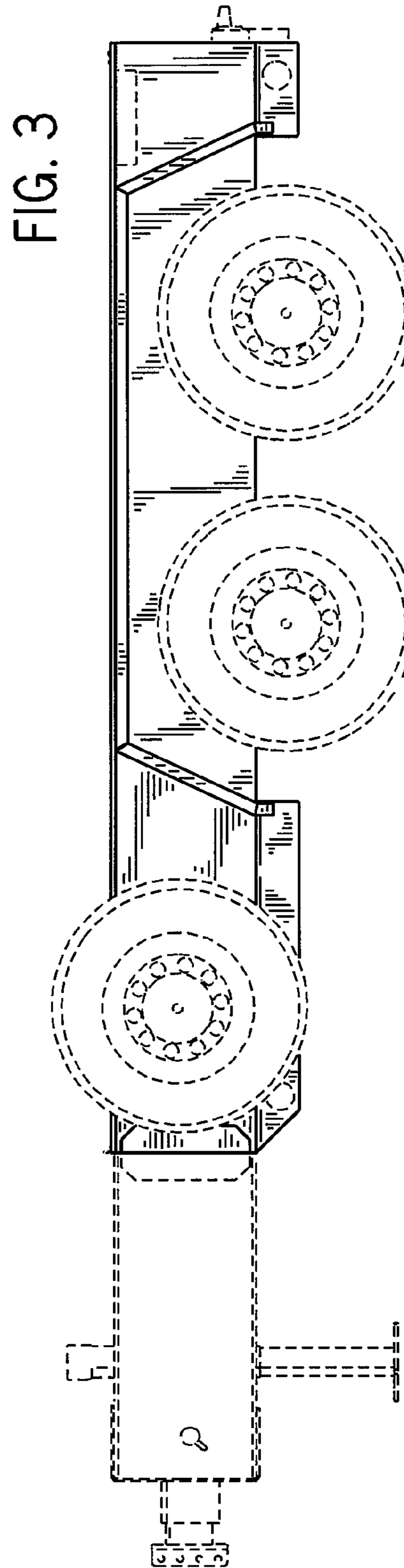
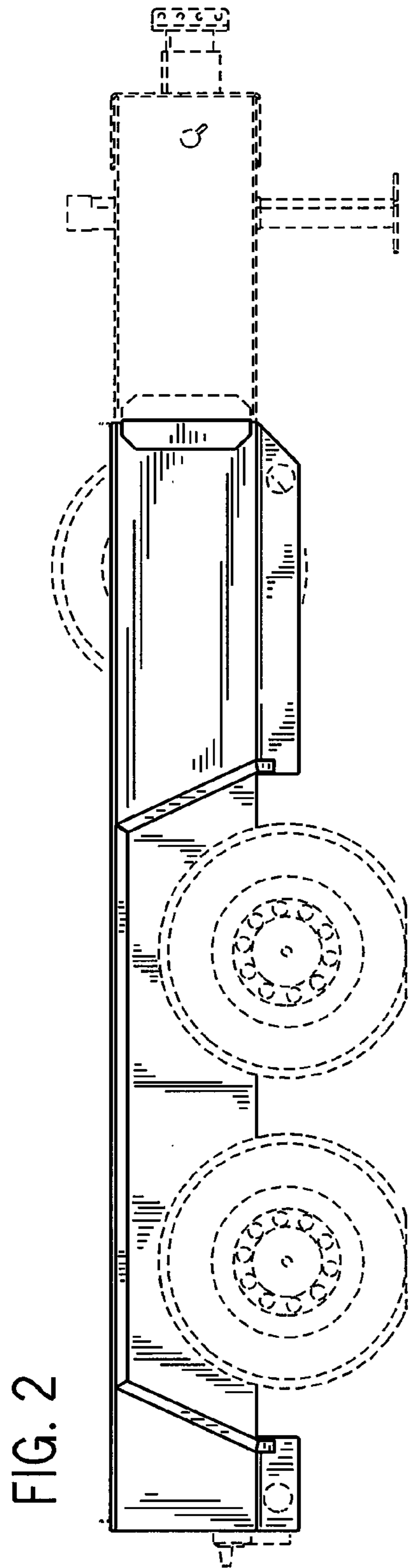


FIG. 1





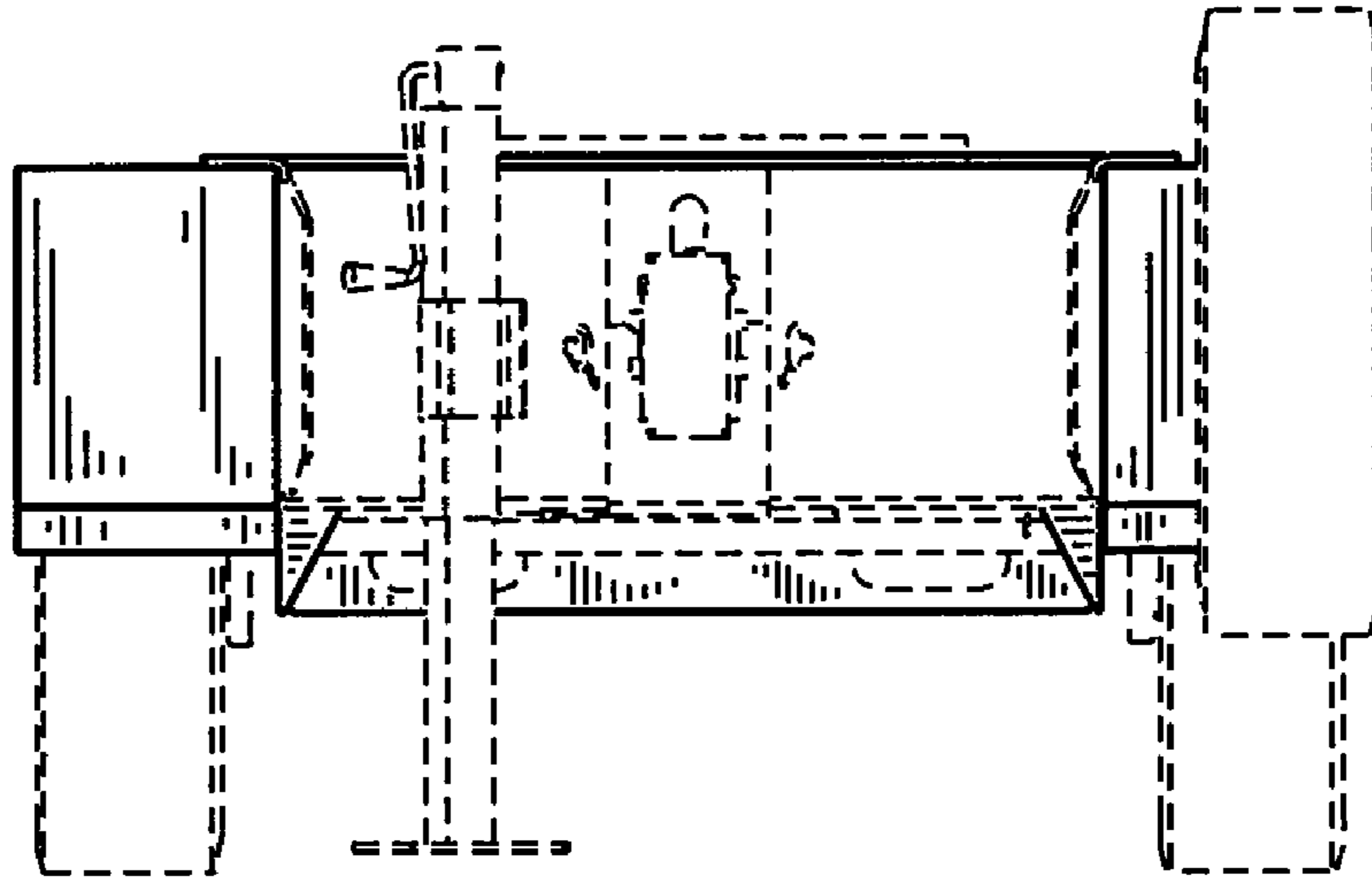


FIG. 4

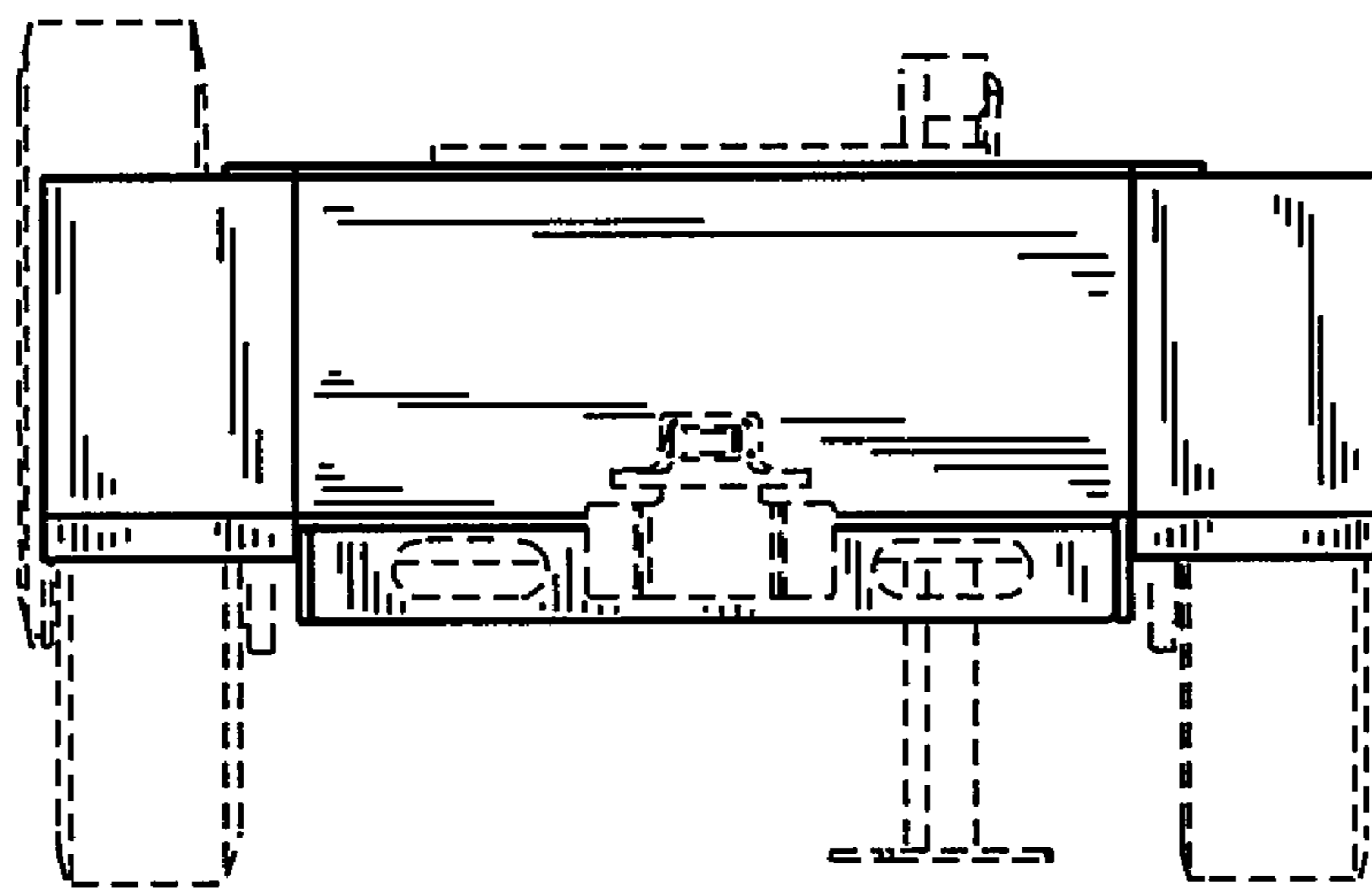


FIG. 5

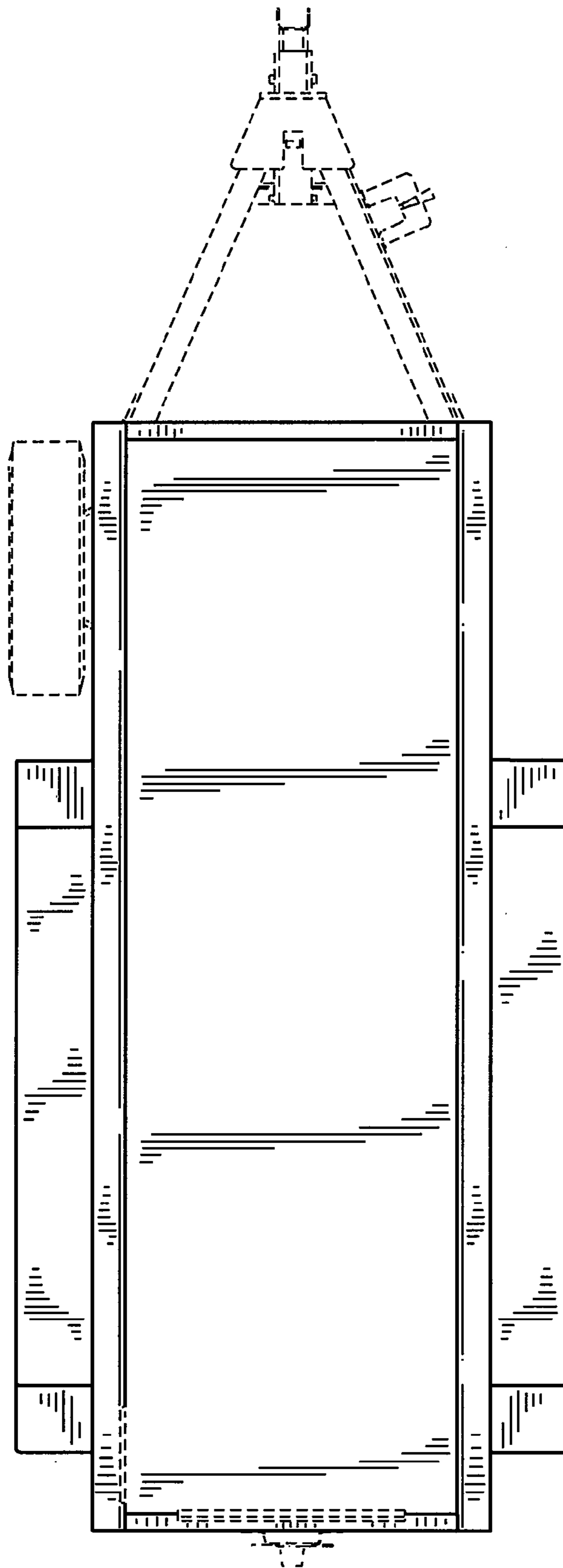


FIG. 6

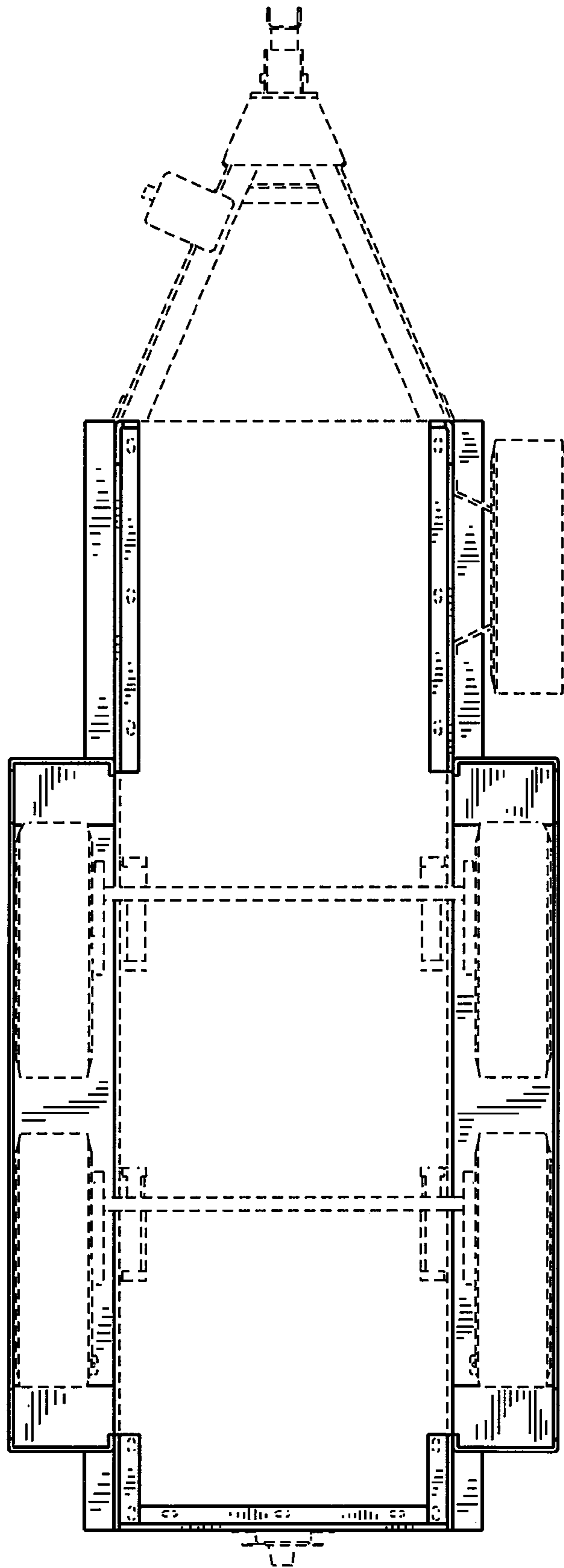


FIG. 7