



US00D619930S

(12) **United States Design Patent**
Faucher et al.

(10) **Patent No.:** **US D619,930 S**
(45) **Date of Patent:** **** Jul. 20, 2010**

(54) **TRACTION BAND**

(75) Inventors: **Claude Faucher**, Drummondville (CA);
Marc-André Lemaire, Drummondville
(CA); **Yves St-Pierre**, Wickham (CA)

(73) Assignee: **Soucy International Inc.**,
Drummondville, Quebec (CA)

(**) Term: **14 Years**

(21) Appl. No.: **29/324,001**

(22) Filed: **Sep. 4, 2008**

(51) **LOC (9) Cl.** **12-14**

(52) **U.S. Cl.** **D12/7**

(58) **Field of Classification Search** D12/7,
D12/608, 8, 9, 10; 305/157, 165, 158, 167,
305/168, 169, 178; 180/190-191, 184
See application file for complete search history.

(56) **References Cited**

U.S. PATENT DOCUMENTS

D323,312 S *	1/1992	Tandy	D12/608
D408,758 S *	4/1999	Lussier	D12/7
6,079,802 A *	6/2000	Nishimura et al.	305/157
D431,015 S *	9/2000	Lussier	D12/7
D436,892 S *	1/2001	Soucy et al.	D12/7
6,402,268 B1 *	6/2002	Lussier	305/165
6,530,626 B1 *	3/2003	Benoit et al.	305/157
6,824,229 B1 *	11/2004	Delisle	305/157
6,890,042 B2 *	5/2005	Inaoka et al.	305/173
D511,481 S *	11/2005	Sampson	D12/7
7,090,312 B2 *	8/2006	Soucy et al.	305/160
7,114,788 B2 *	10/2006	Deland et al.	305/157
7,185,958 B2 *	3/2007	Ueno	305/167

* cited by examiner

Primary Examiner—T. Chase Nelson
Assistant Examiner—Ania K Dworzecka

(74) *Attorney, Agent, or Firm*—Brouillette & Partners;
Robert Brouillette

(57) **CLAIM**

The ornamental design for a traction band, as shown and described.

DESCRIPTION

FIG. 1 is a front left perspective view of the exterior of the traction band;

FIG. 2 is a front right perspective view of the interior of the traction band;

FIG. 3 is a front right perspective view of the exterior of the traction band;

FIG. 4 is a front left perspective view of the interior of the traction band;

FIG. 5 is a plan view of the exterior of the traction band;

FIG. 6 is a plan view of the interior of the traction band;

FIG. 7 is a left side view of the traction band;

FIG. 8 is a right side view of the traction band;

FIG. 9 is a front view of the traction band;

FIG. 10 is a rear left perspective view of the exterior of the traction band;

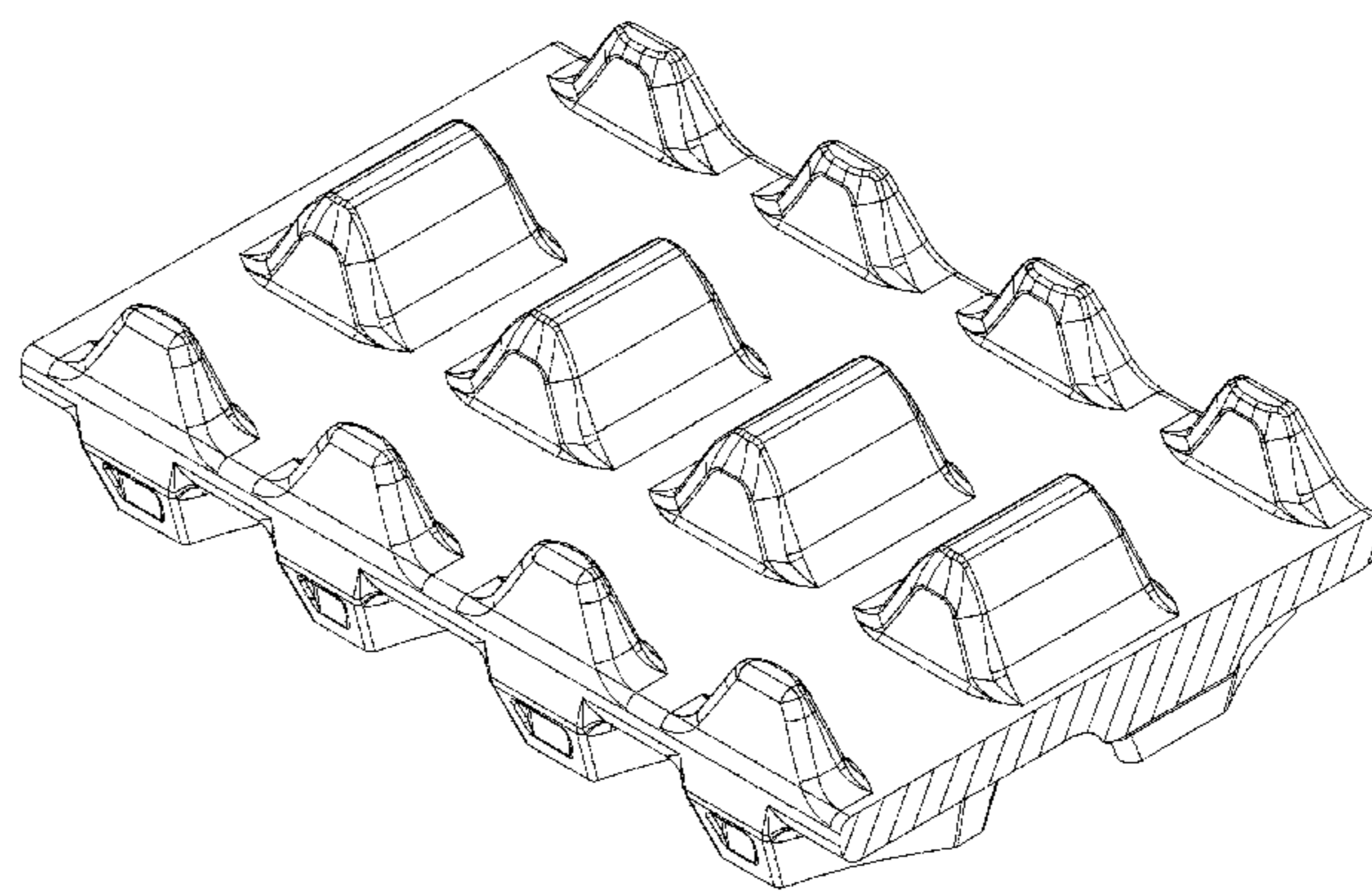
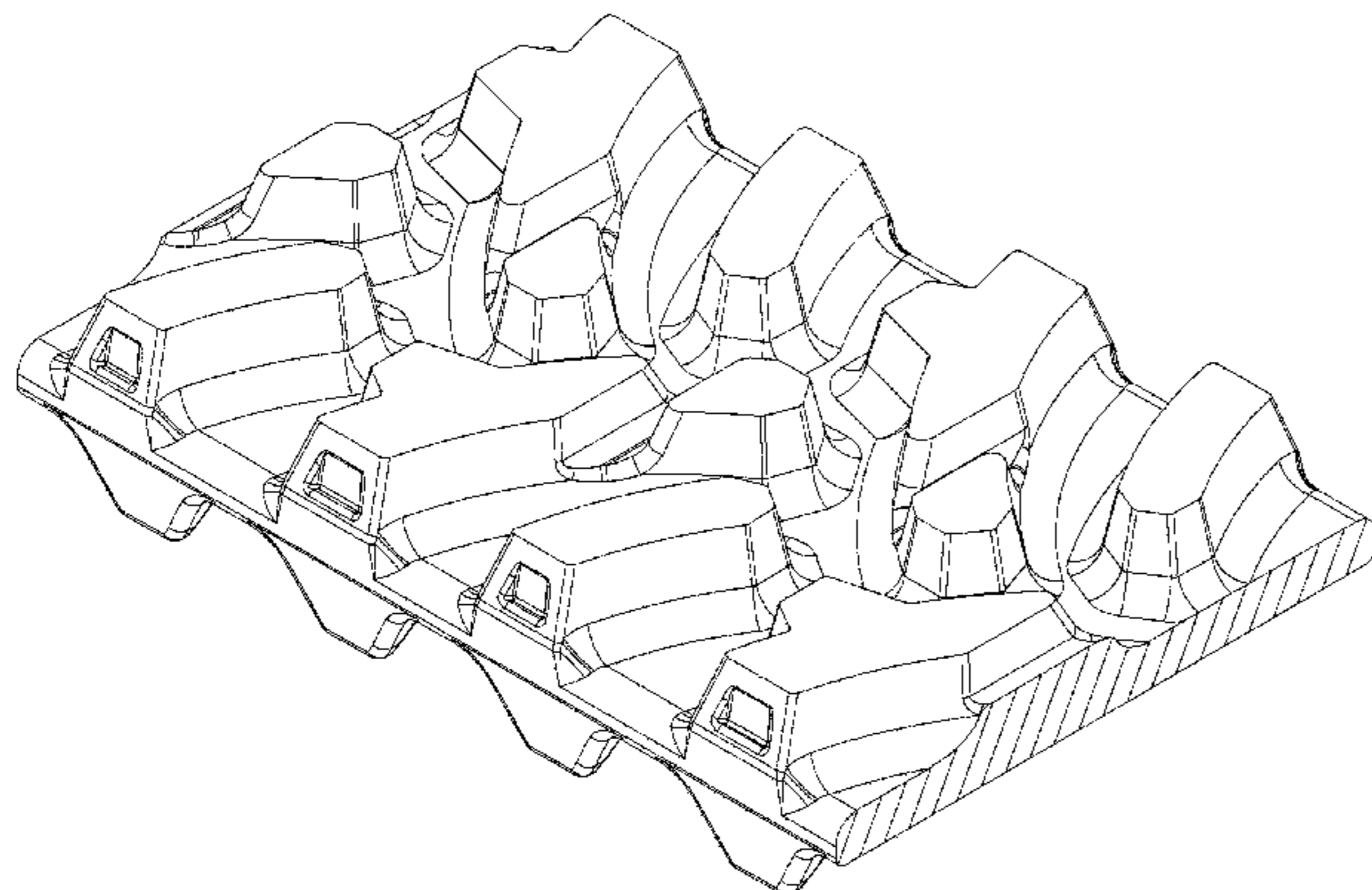
FIG. 11 is a rear right perspective view of the interior of the traction band;

FIG. 12 is a rear right perspective view of the exterior of the traction band; and,

FIG. 13 is a rear left perspective view of the interior of the traction band.

The broken line portion in FIGS. 5, 6, 7, and 8 is included for purpose of illustrating that a specific length of traction band forms no part of the claimed design.

1 Claim, 13 Drawing Sheets



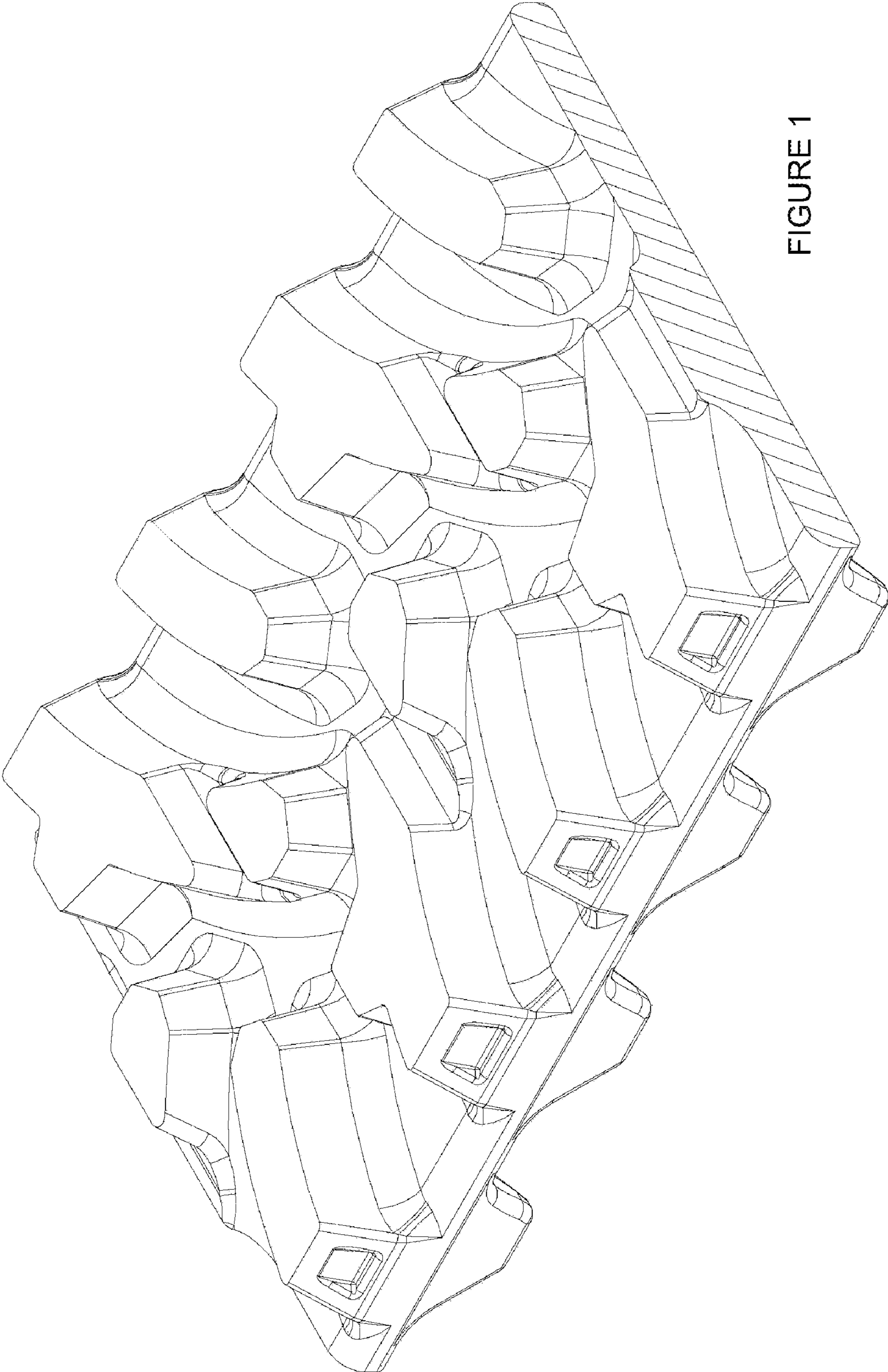


FIGURE 1

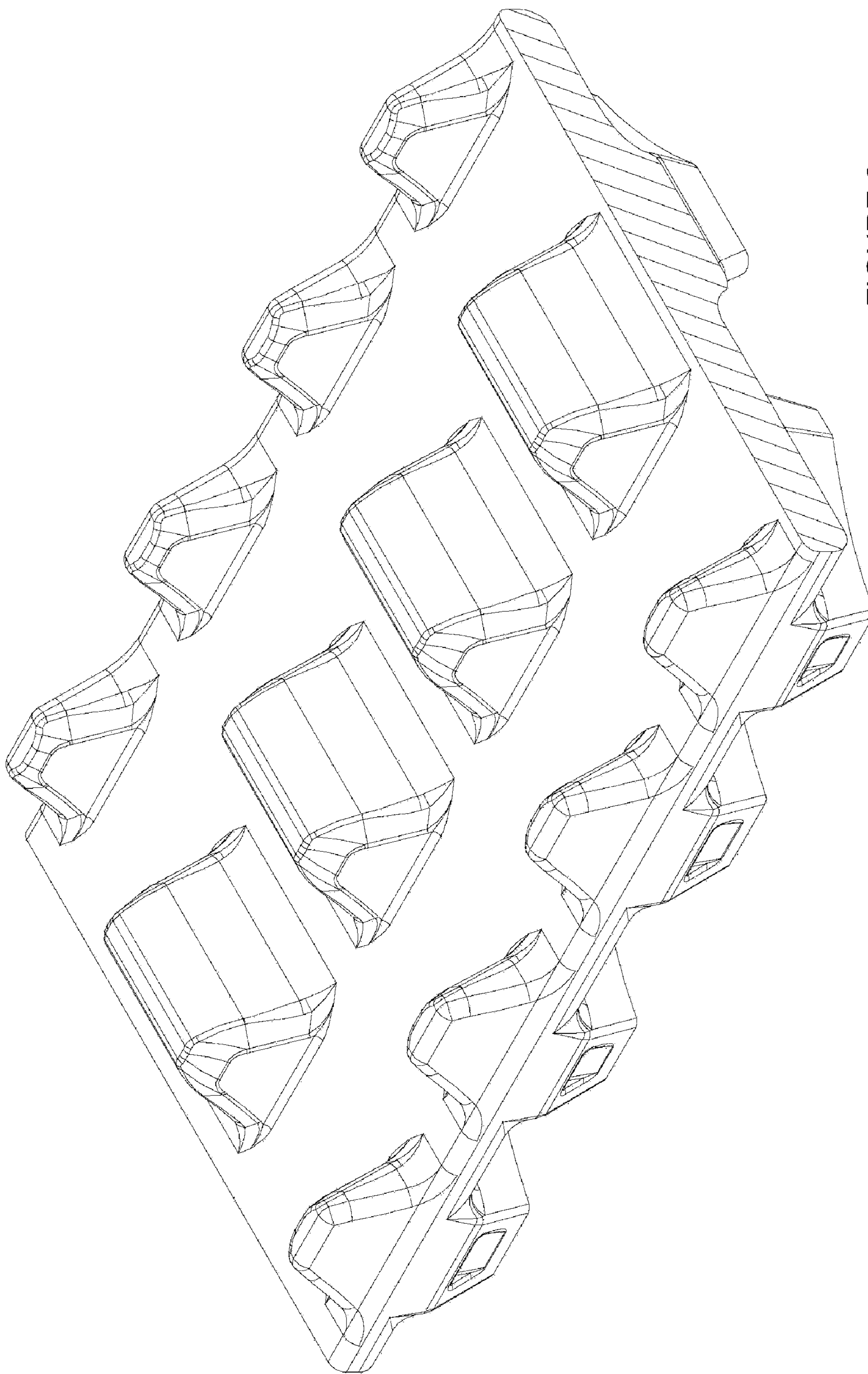


FIGURE 2

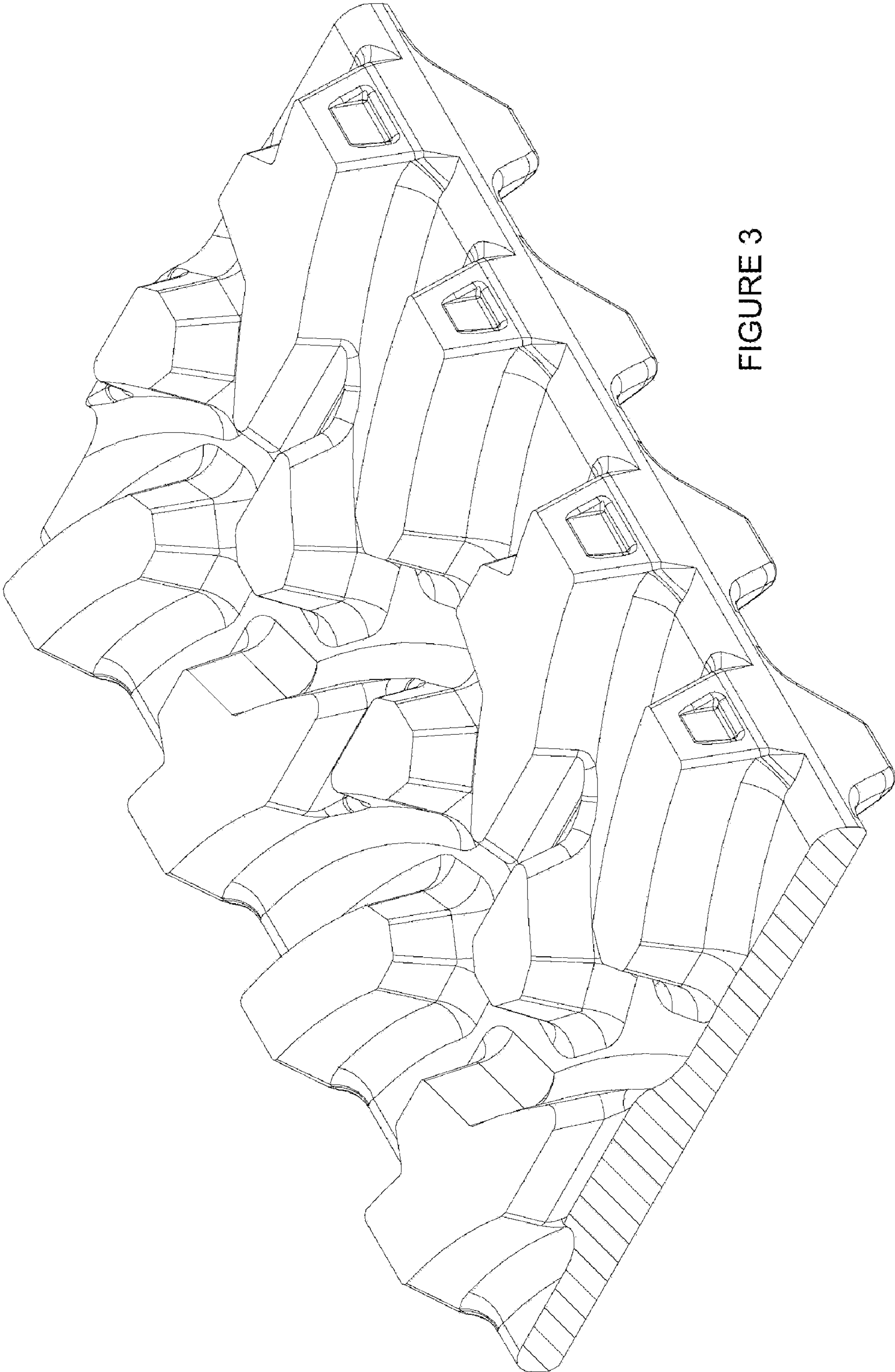


FIGURE 3

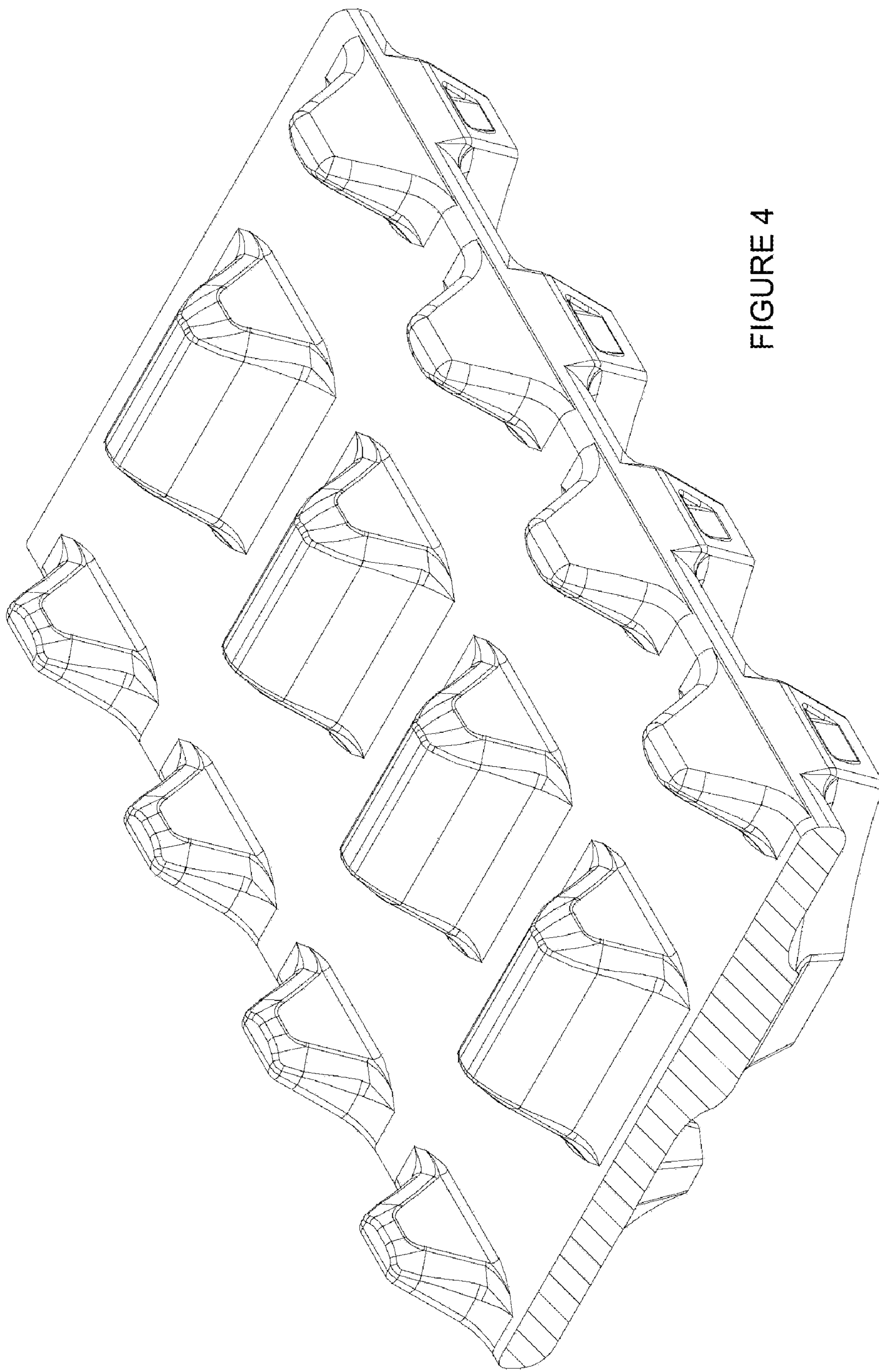


FIGURE 4

FIGURE 5

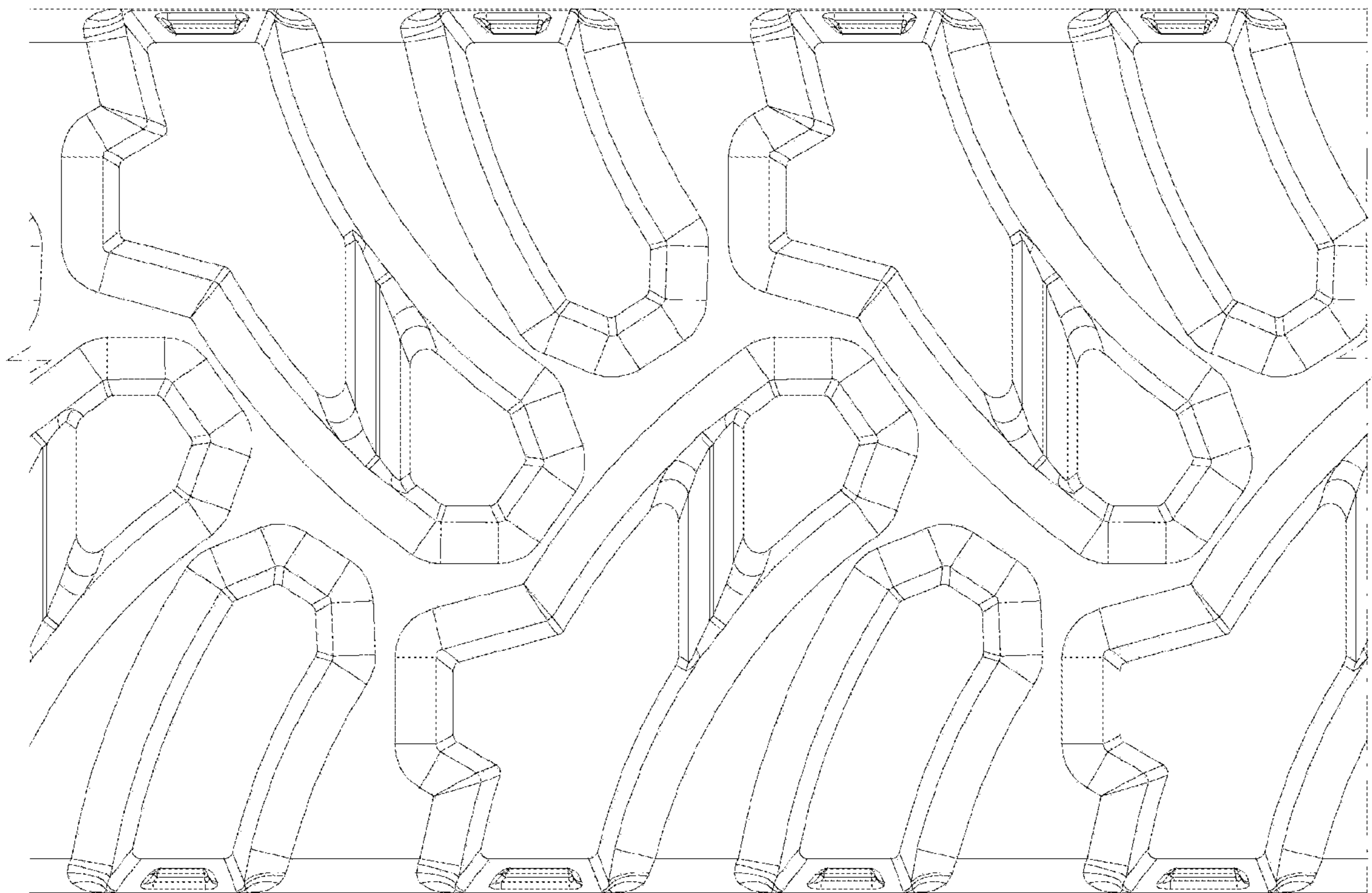
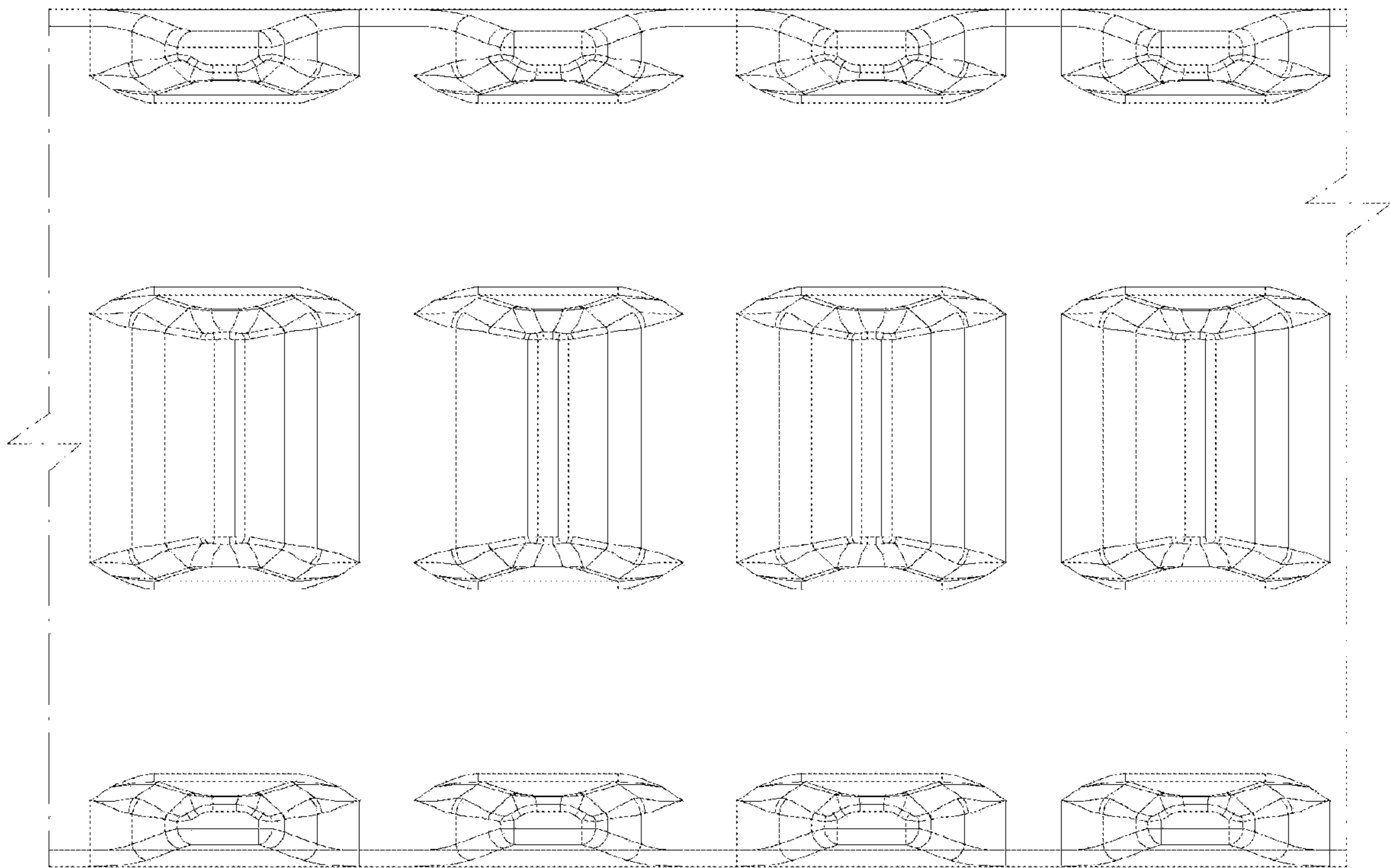


FIGURE 6



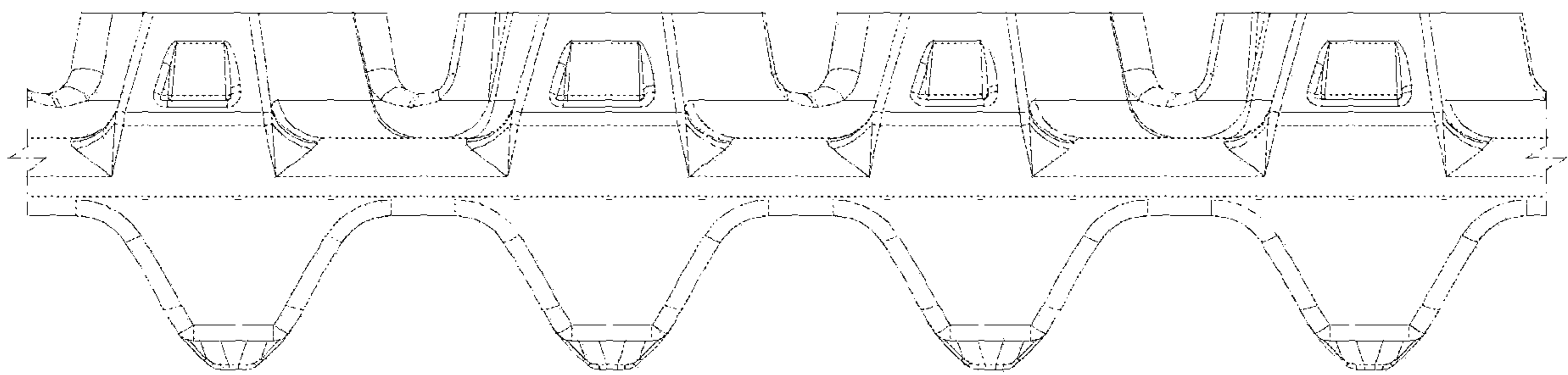


FIGURE 7

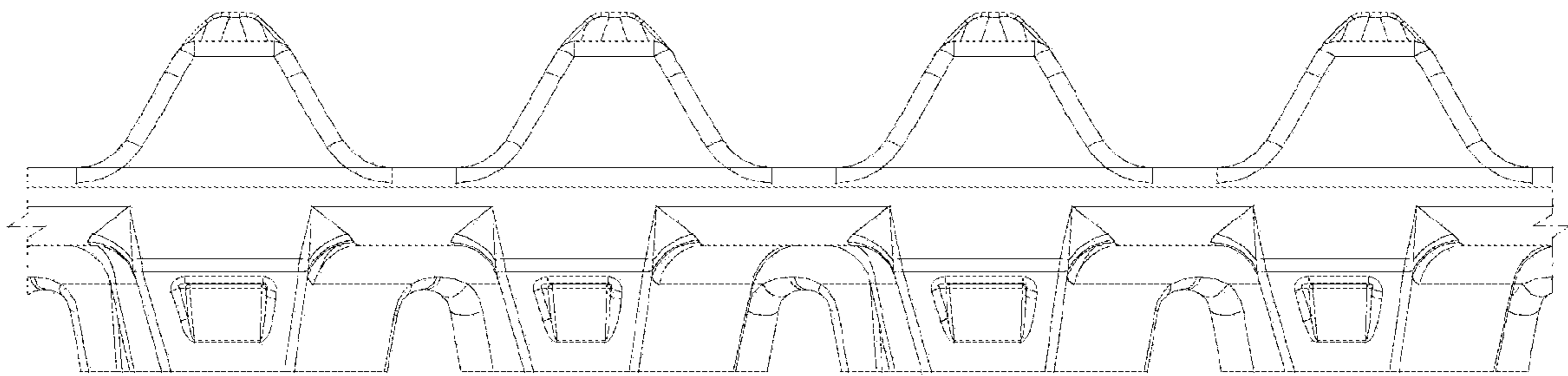


FIGURE 8

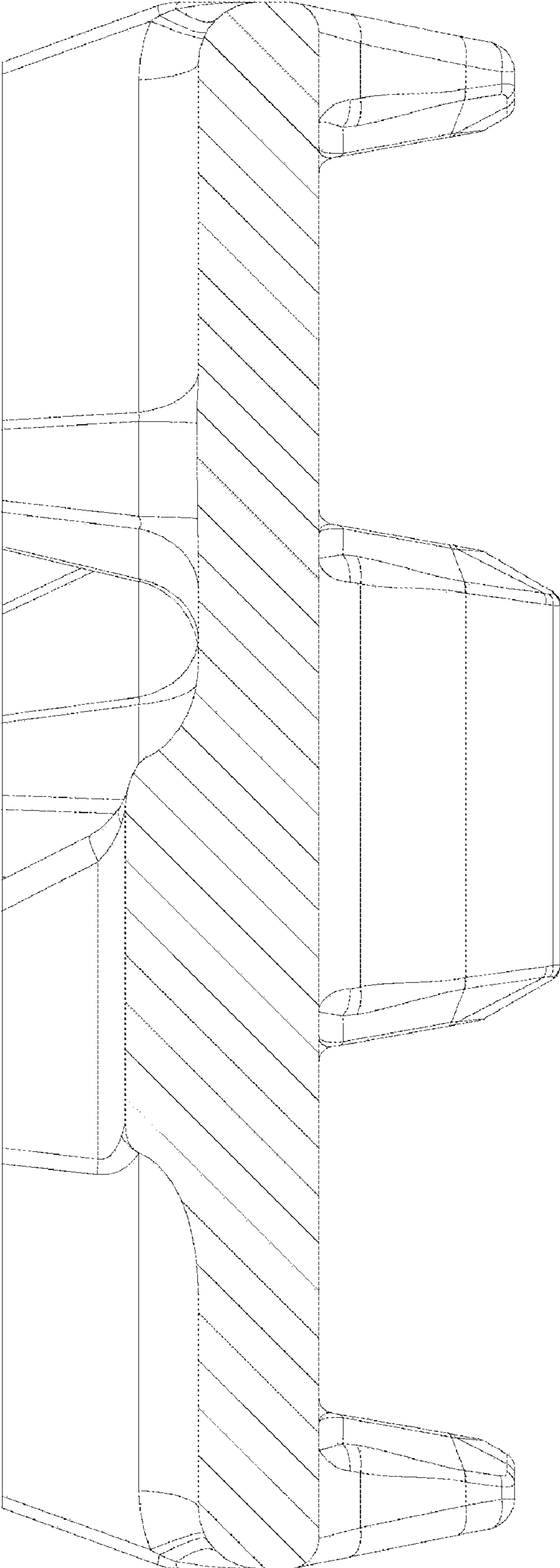


FIGURE 9

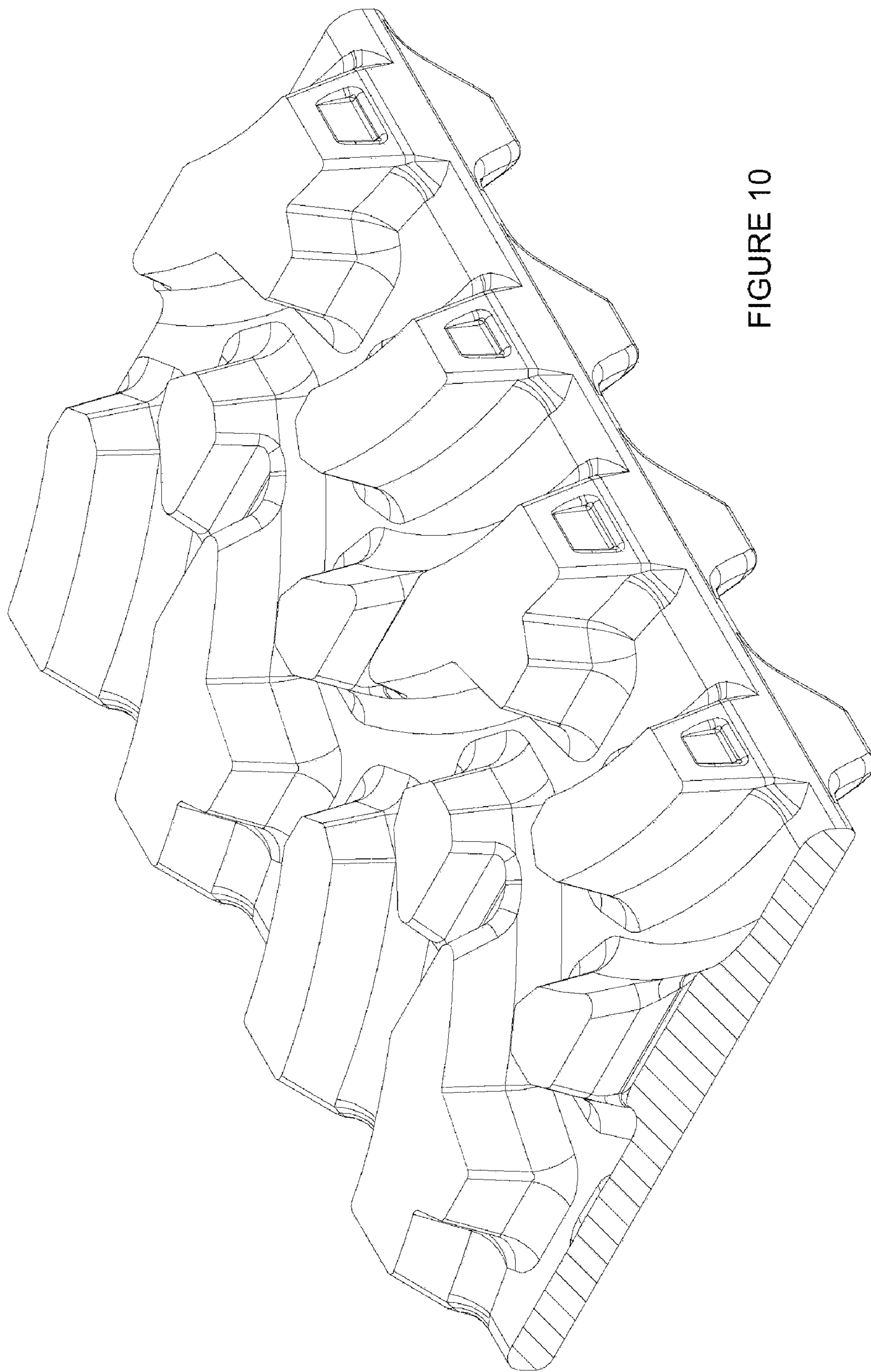


FIGURE 10

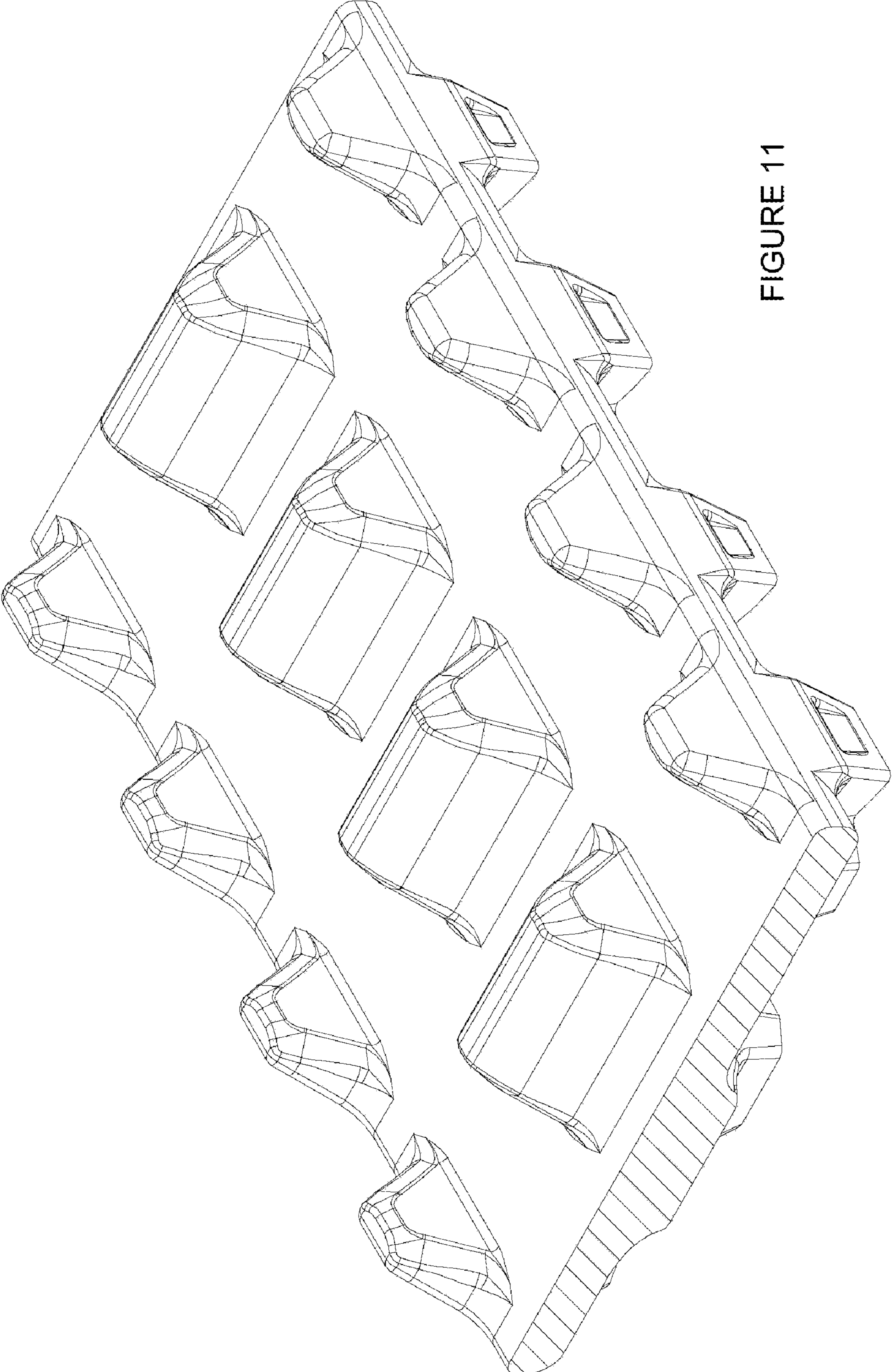


FIGURE 11

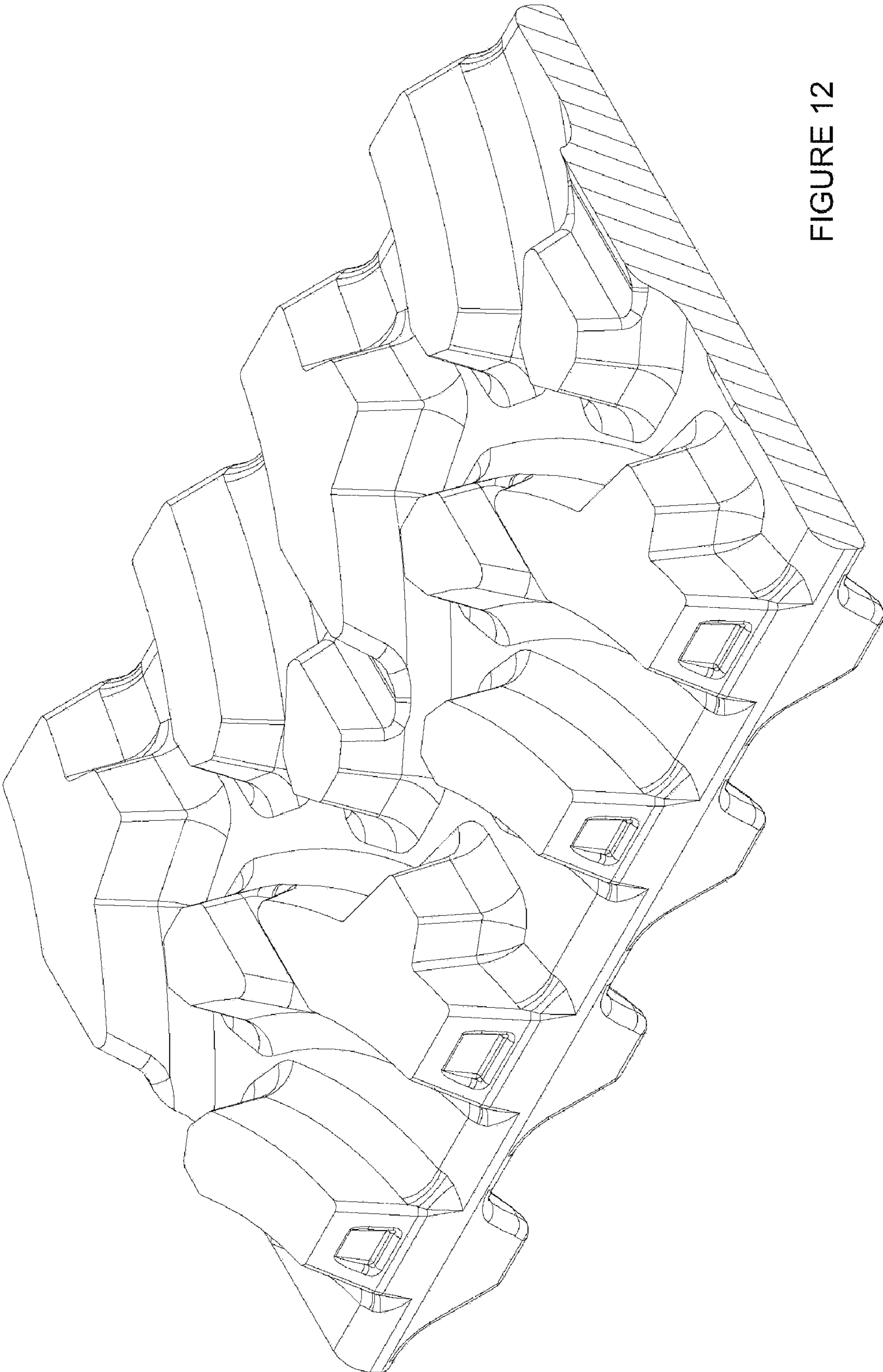


FIGURE 12

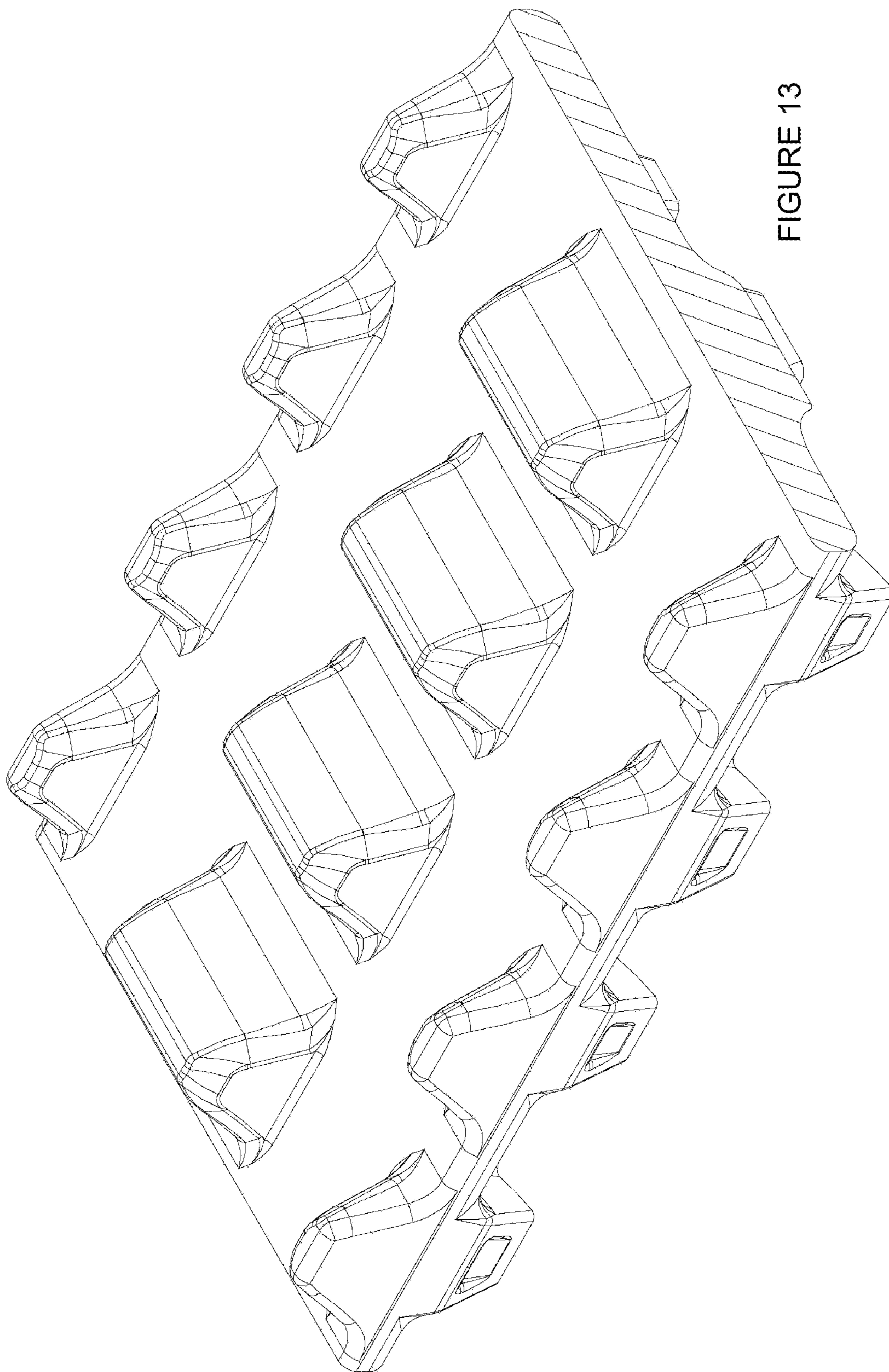


FIGURE 13