



US00D619926S

(12) **United States Design Patent**
Letney

(10) **Patent No.:** **US D619,926 S**
(45) **Date of Patent:** **** Jul. 20, 2010**

(54) **UNITY CROSS MULTI-PIECE SCULPTURE**

(76) Inventor: **Michael James Letney**, 8223 S. Marion Ave., Tulsa, OK (US) 74137

(**) Term: **14 Years**

(21) Appl. No.: **29/354,164**

(22) Filed: **Jan. 20, 2010**

(51) **LOC (9) Cl.** **11-02**

(52) **U.S. Cl.** **D11/157; D99/23**

(58) **Field of Classification Search** D11/81,
D11/96, 122, 125, 131, 157, 160–161, 163;
D99/17, 25–27; D19/99–97; D20/41; 235/123;
428/3; 434/246; 312/33; 40/409–410; 248/346.03,
248/473; 206/19

See application file for complete search history.

(56) **References Cited**

U.S. PATENT DOCUMENTS

D67,289	S	*	5/1925	Ladewich	D99/23
D133,983	S	*	10/1942	Cruise et al.	D11/157
2,355,154	A	*	8/1944	Goudreau	428/3
D256,398	S	*	8/1980	Mitchell	D99/25
D365,781	S	*	1/1996	Osborn	D11/96
D563,828	S	*	3/2008	Meijer	D11/163
D578,275	S	*	10/2008	Shantz et al.	D99/17
D589,225	S	*	3/2009	Wilburn	D99/25
D590,574	S	*	4/2009	Pawlik	D99/27

* cited by examiner

Primary Examiner—T. Chase Nelson
Assistant Examiner—Michelle E Wilson
(74) *Attorney, Agent, or Firm*—Head, Johnson & Kachigian, P.C.

(57) **CLAIM**

The ornamental design for a unity cross multi-piece sculpture, as shown and described.

DESCRIPTION

FIG. 1 is a perspective view of a unity cross multi-piece sculpture constructed in accordance with the present invention;

FIG. 2 is a front view of a unity cross multi-piece sculpture as shown in FIG. 1;

FIG. 3 is a back view of a unity cross multi-piece sculpture as shown in FIG. 1;

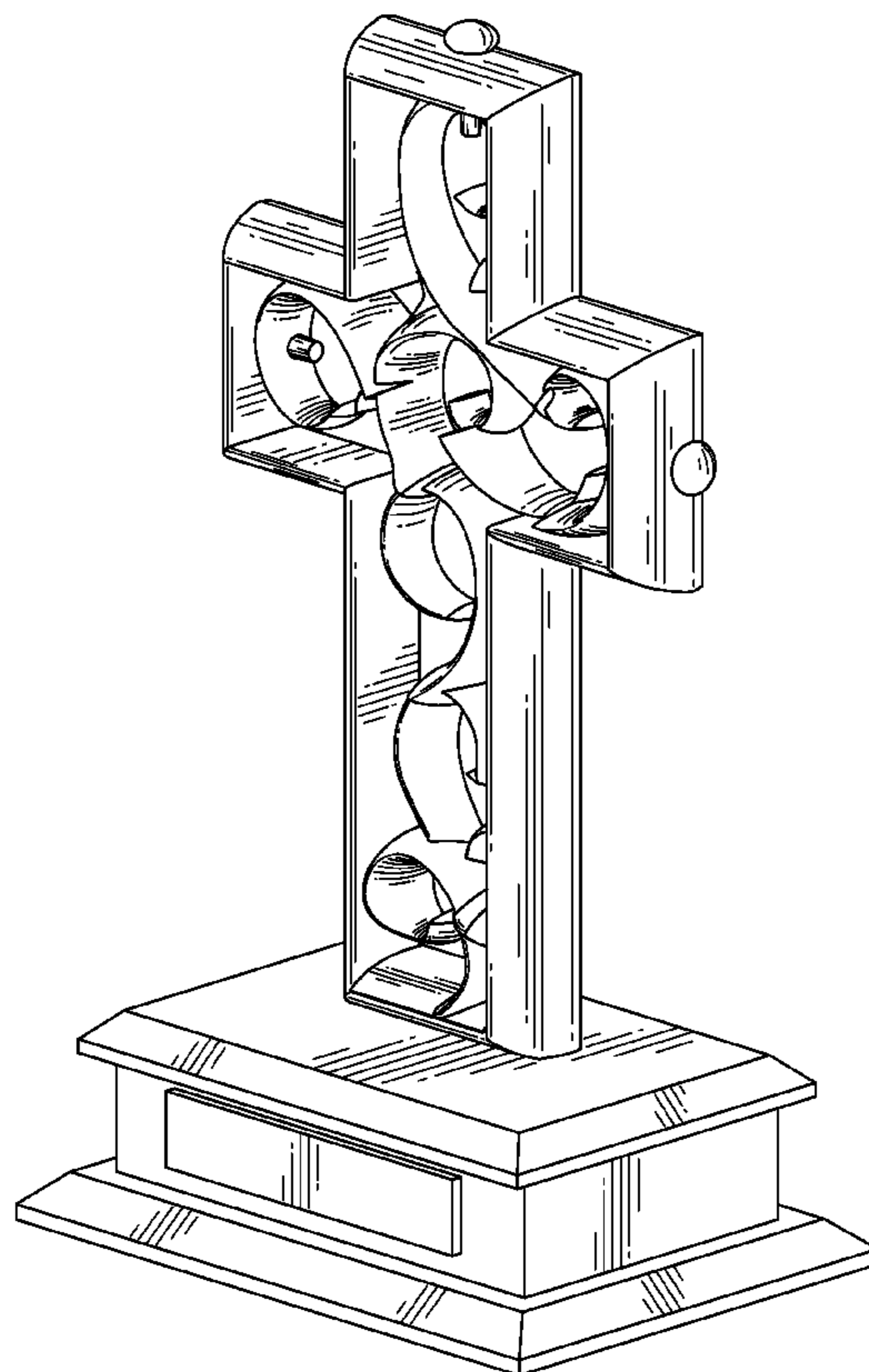
FIG. 4 is a top view of a unity cross multi-piece sculpture as shown in FIG. 1;

FIG. 5 is a bottom view of a unity cross multi-piece sculpture as shown in FIG. 1;

FIG. 6 is a left side view of a unity cross multi-piece sculpture as shown in FIG. 1; and,

FIG. 7 is a right side view of a unity cross multi-piece sculpture as shown in FIG. 1.

1 Claim, 5 Drawing Sheets



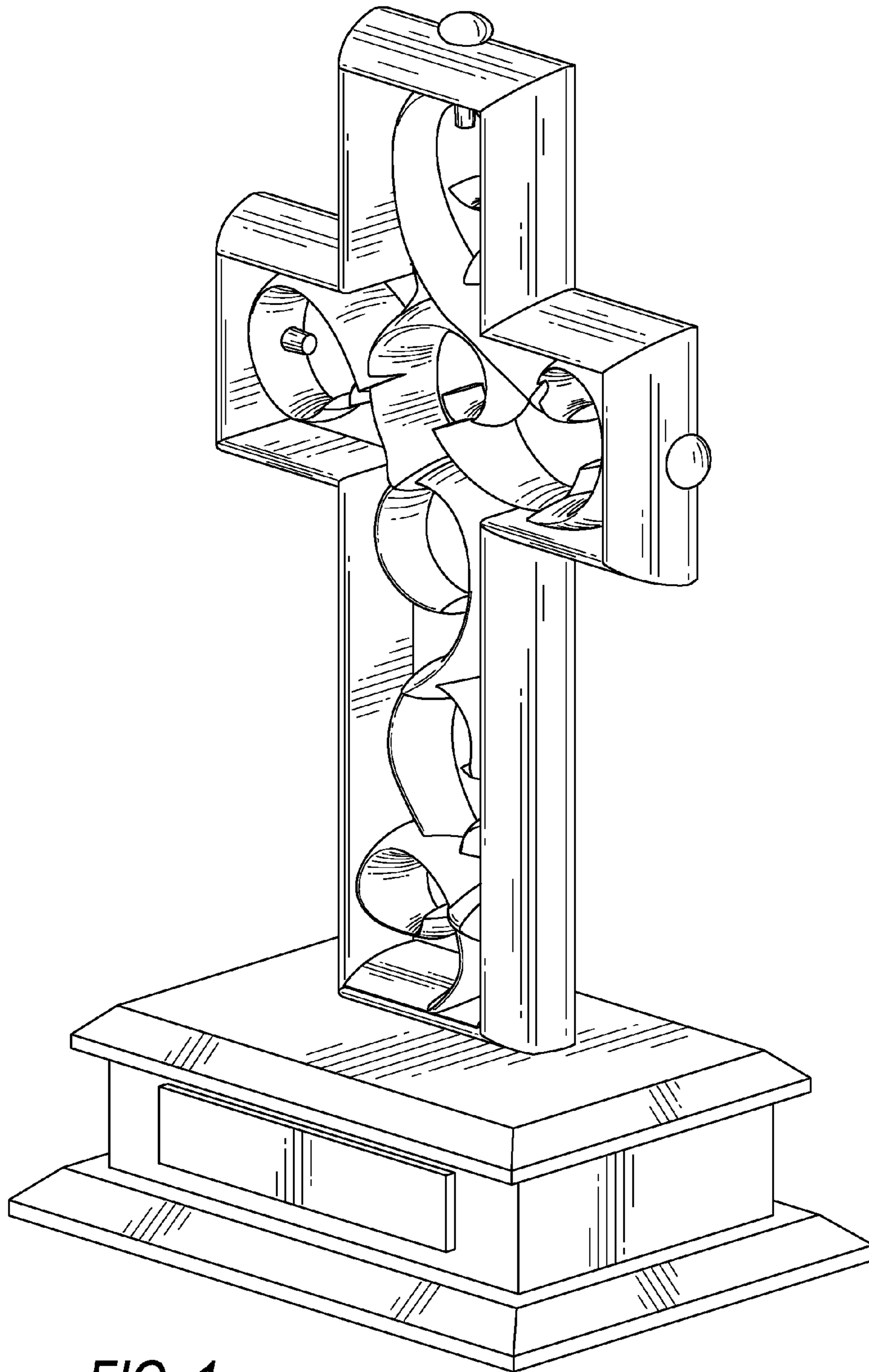


FIG. 1

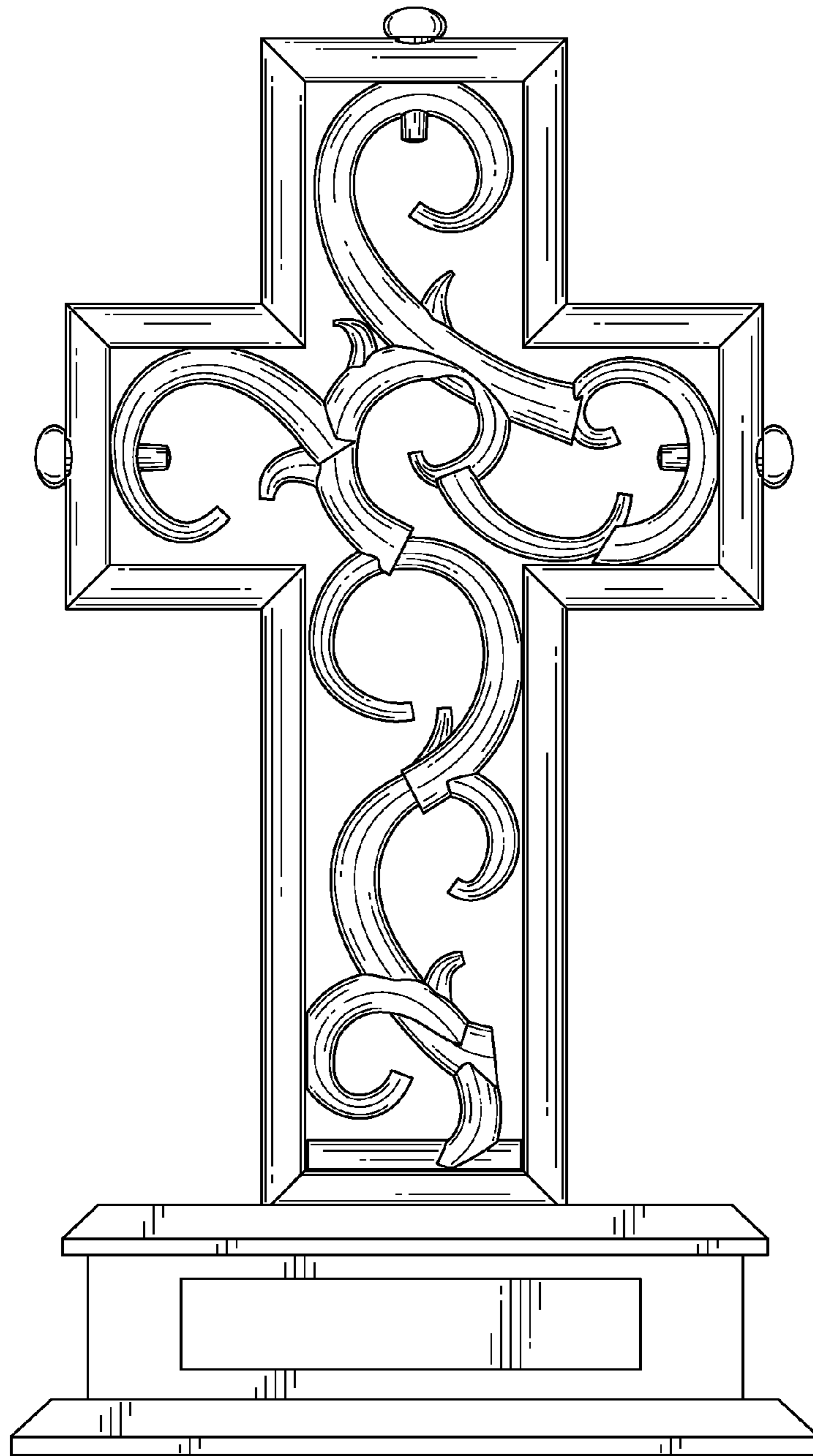


FIG. 2

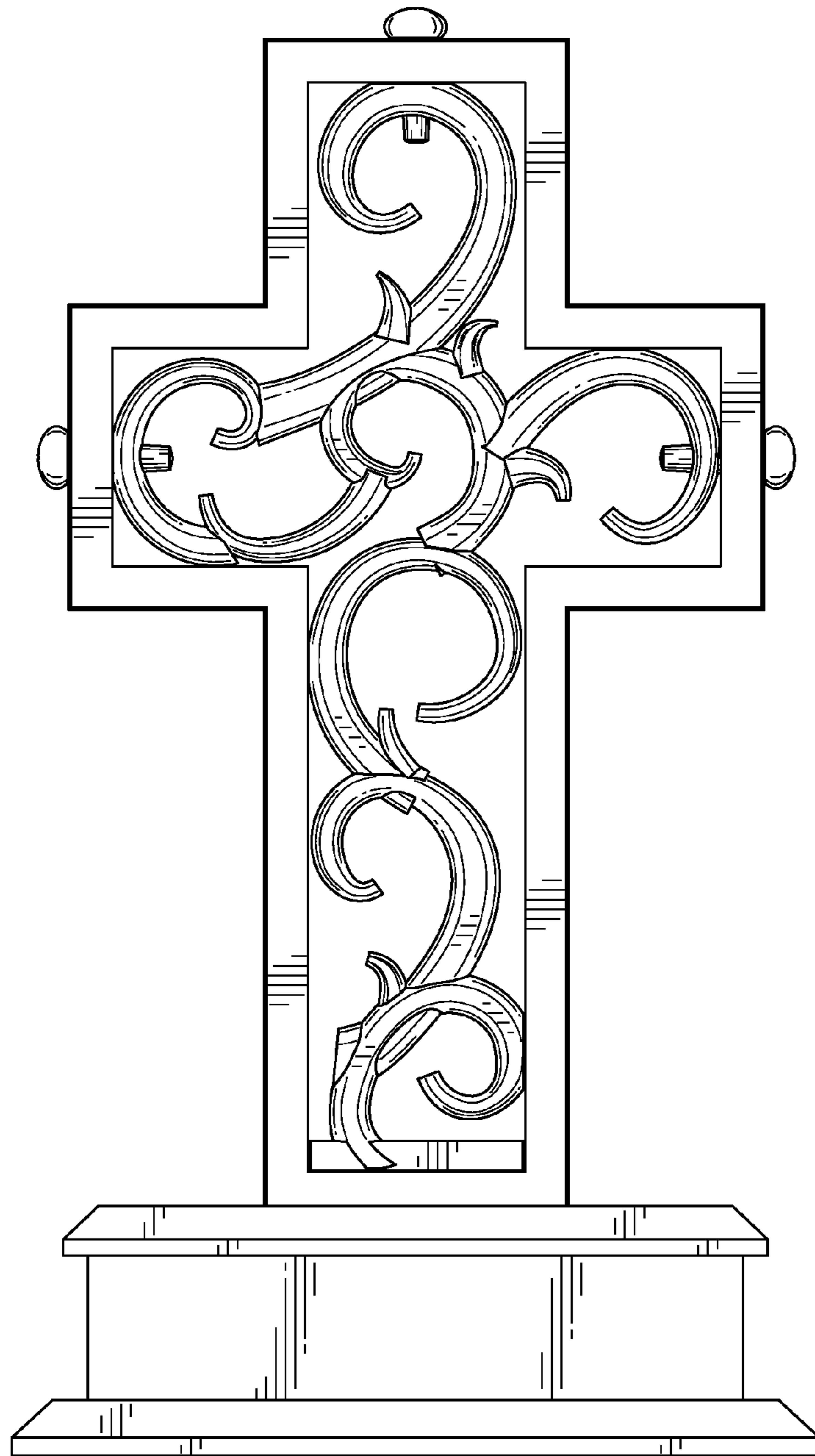


FIG. 3

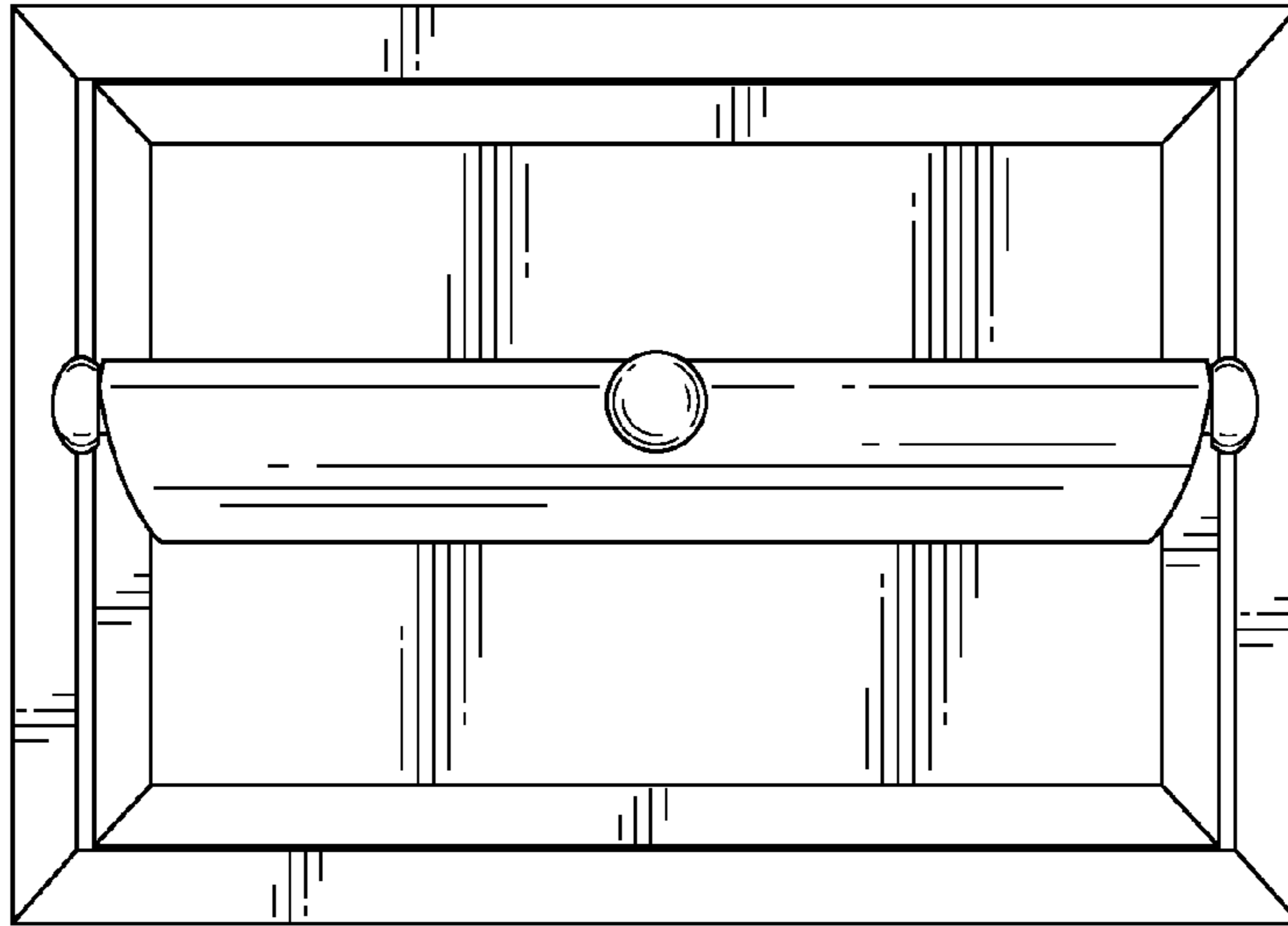


FIG. 4

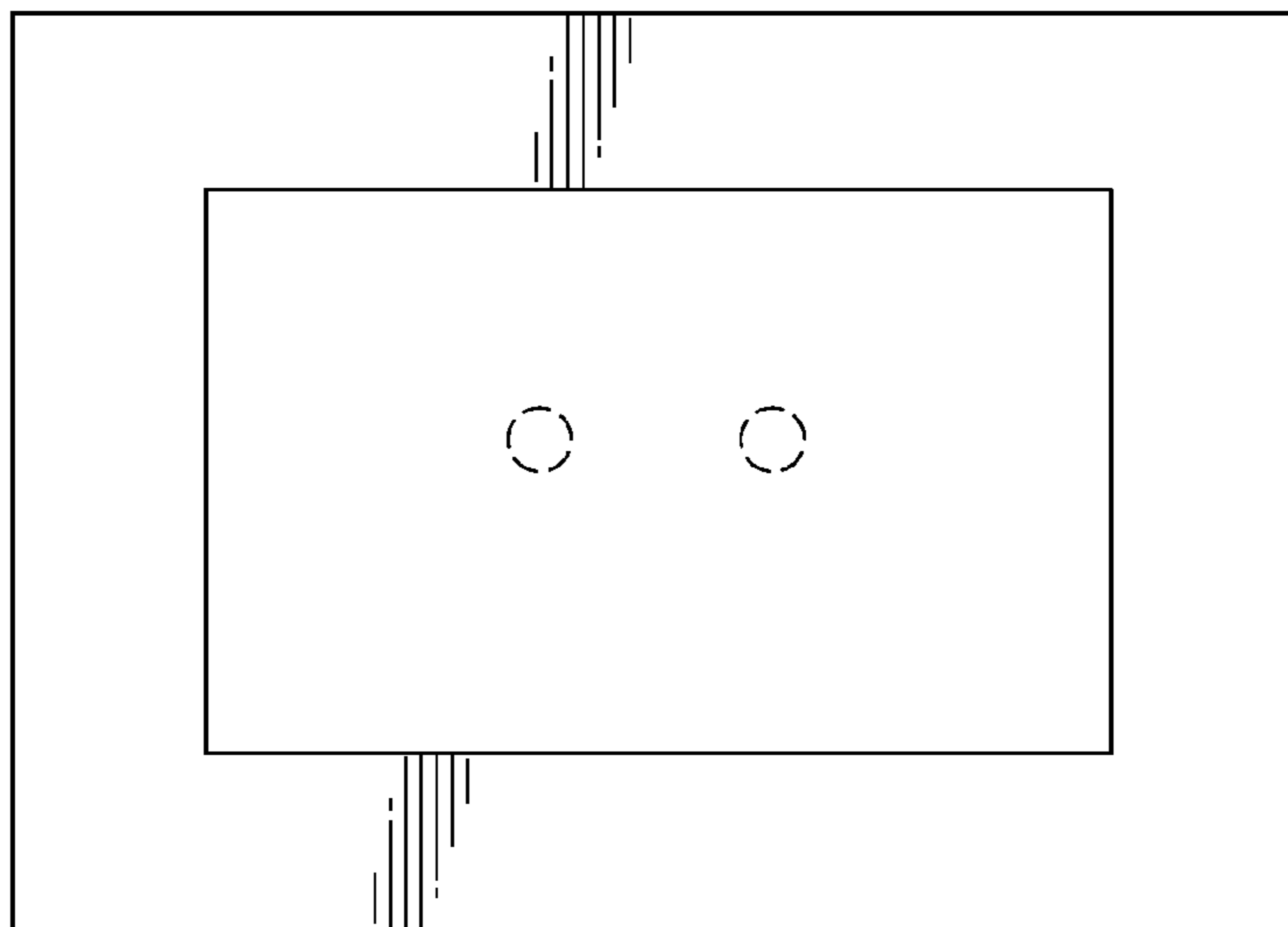


FIG. 5

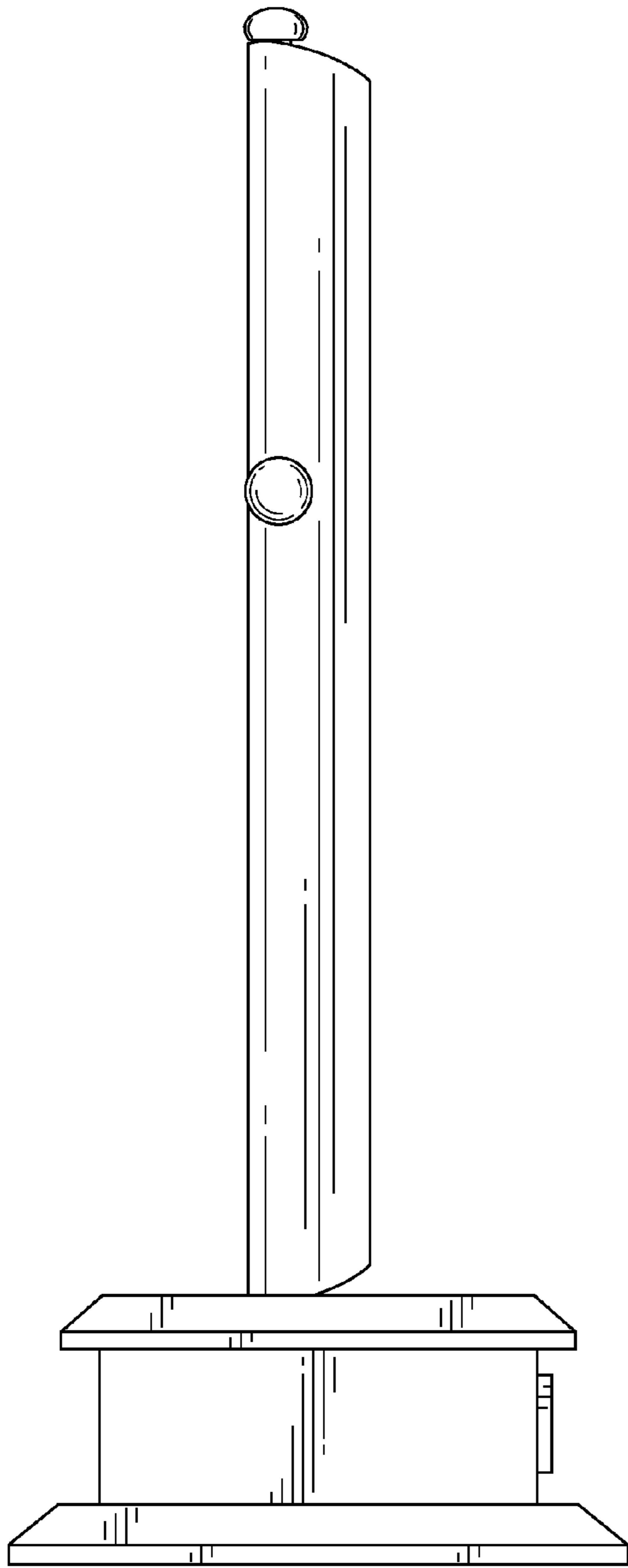


FIG. 6

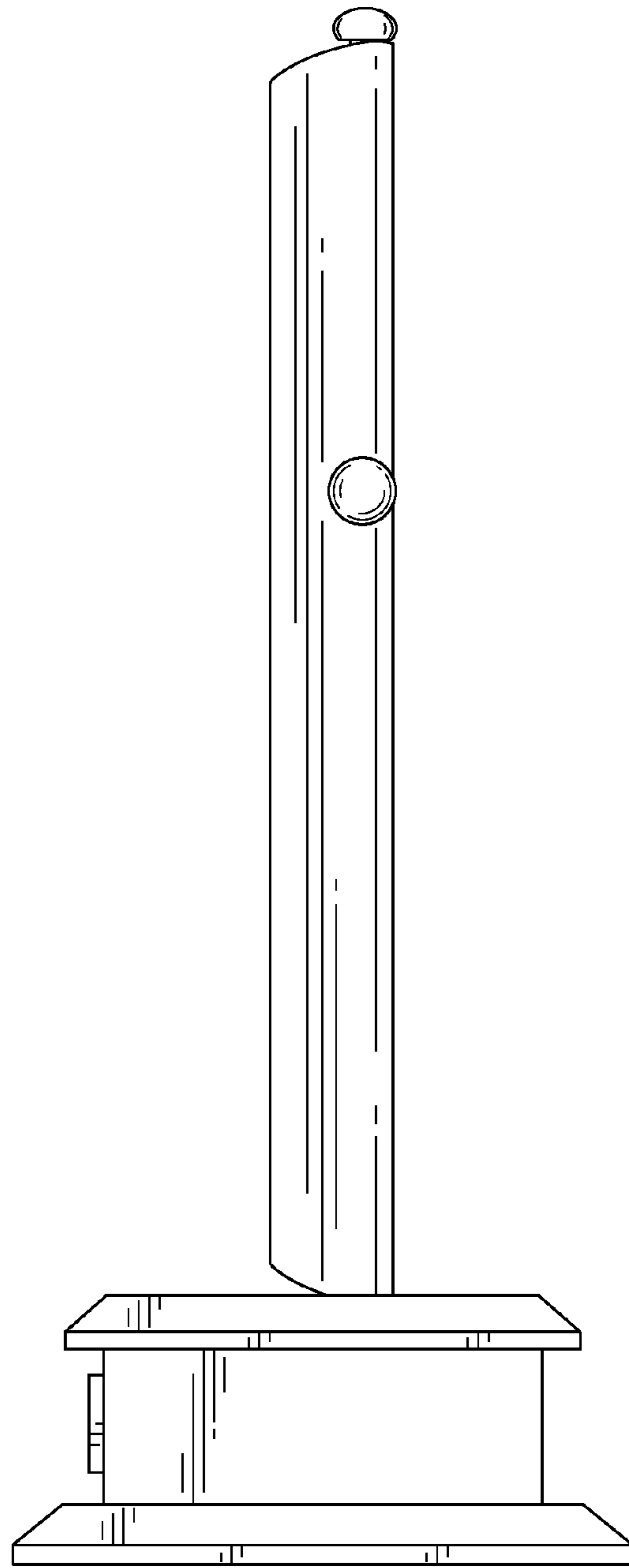


FIG. 7