



US00D619925S

(12) **United States Design Patent**
Lee

(10) **Patent No.:** **US D619,925 S**
(45) **Date of Patent:** **** Jul. 20, 2010**

(54) **ENTERTAINMENT PRODUCT**

(75) Inventor: **Wen-Hsien Lee**, Taipei County (TW)

(73) Assignee: **CIC Components Ind. Co., Ltd.**, Taipei County (TW)

(**) Term: **14 Years**

(21) Appl. No.: **29/353,351**

(22) Filed: **Jan. 7, 2010**

(51) **LOC (9) Cl.** **11-02**

(52) **U.S. Cl.** **D11/157**

(58) **Field of Classification Search** D11/121,
D11/131, 133, 141, 157; D21/398, 40, 451,
D21/455, 460, 461, 465-467, 483, 811-813;
D19/59, 61, 62, 97; D9/30; 446/71, 76,
446/236, 242, 267, 256-259; 434/284-293;
428/13, 14, 42.2; 40/406, 409, 411, 427,
40/430, 431, 440, 441

See application file for complete search history.

(56) **References Cited**

U.S. PATENT DOCUMENTS

D137,676 S * 4/1944 Eisler D19/61
D189,789 S * 2/1961 Berzac D99/37
D210,075 S * 2/1968 Musser D19/52
3,750,308 A * 8/1973 Nelson 434/292
D237,324 S * 10/1975 Herring D2/869

D246,923 S * 1/1978 Mascio D21/352
D334,773 S * 4/1993 Simpson D19/62
D356,115 S * 3/1995 Dayhoff D19/62
D474,250 S * 5/2003 Herrera D21/483
6,565,360 B1 * 5/2003 Kavvouras 434/284

* cited by examiner

Primary Examiner—T. Chase Nelson

Assistant Examiner—Michelle E Wilson

(74) *Attorney, Agent, or Firm*—Muncy, Geissler, Olds & Lowe, PLLC

(57) **CLAIM**

The ornamental design for an entertainment product, as shown and described.

DESCRIPTION

FIG. 1 is a perspective view of an entertainment product showing my new design thereof;

FIG. 2 is a right side elevational view thereof;

FIG. 3 is a top plan view thereof;

FIG. 4 is a front side elevational view thereof;

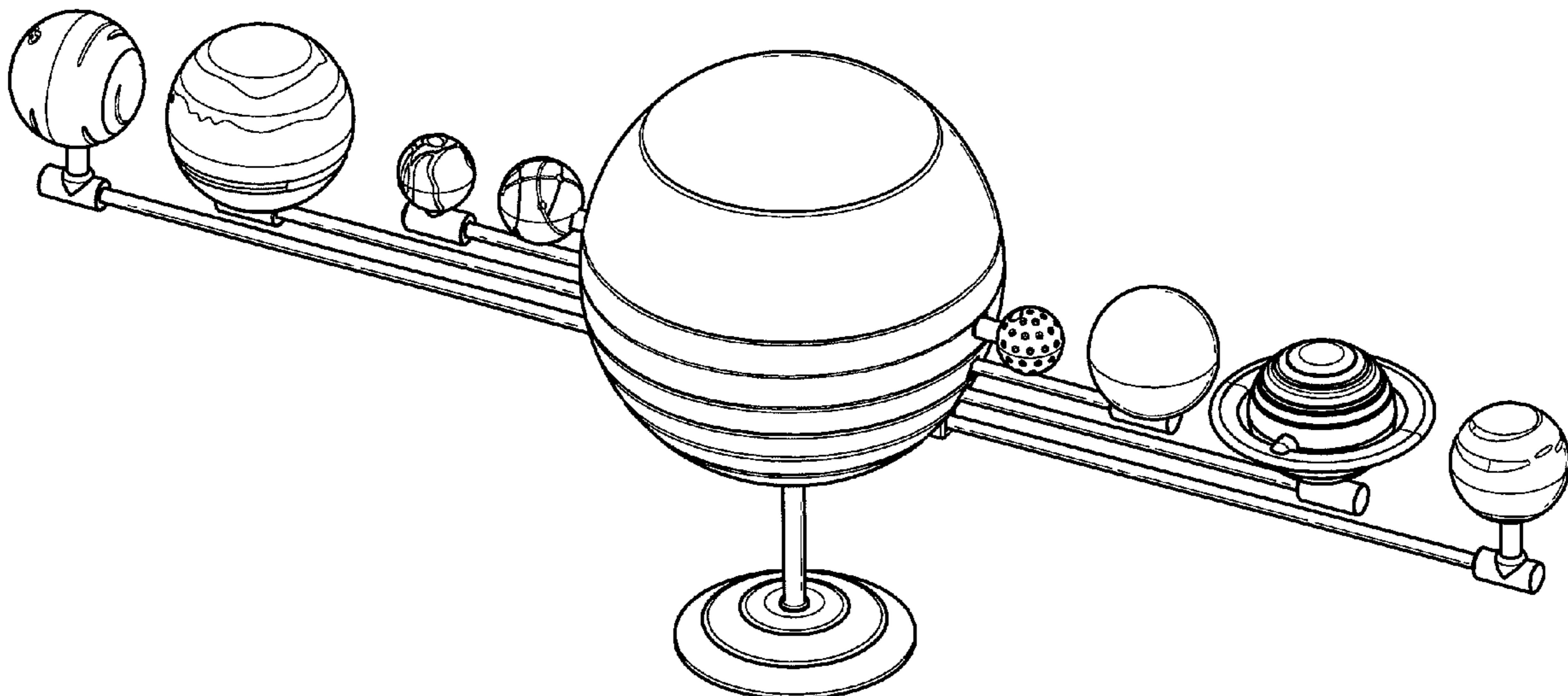
FIG. 5 is a bottom plan view thereof;

FIG. 6 is a left side elevational view thereof;

FIG. 7 is a rear side elevational view thereof; and,

FIG. 8 is another perspective view thereof.

1 Claim, 8 Drawing Sheets



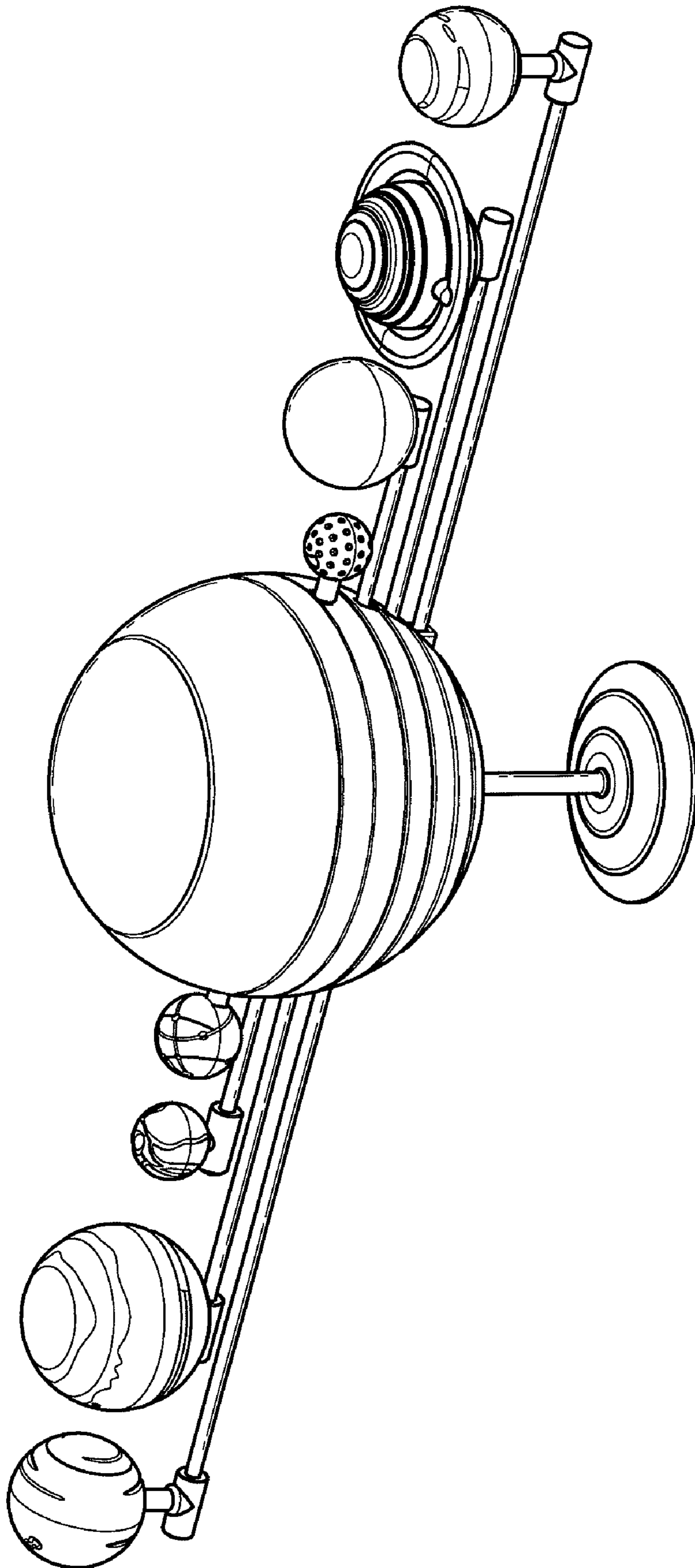


Fig. 1

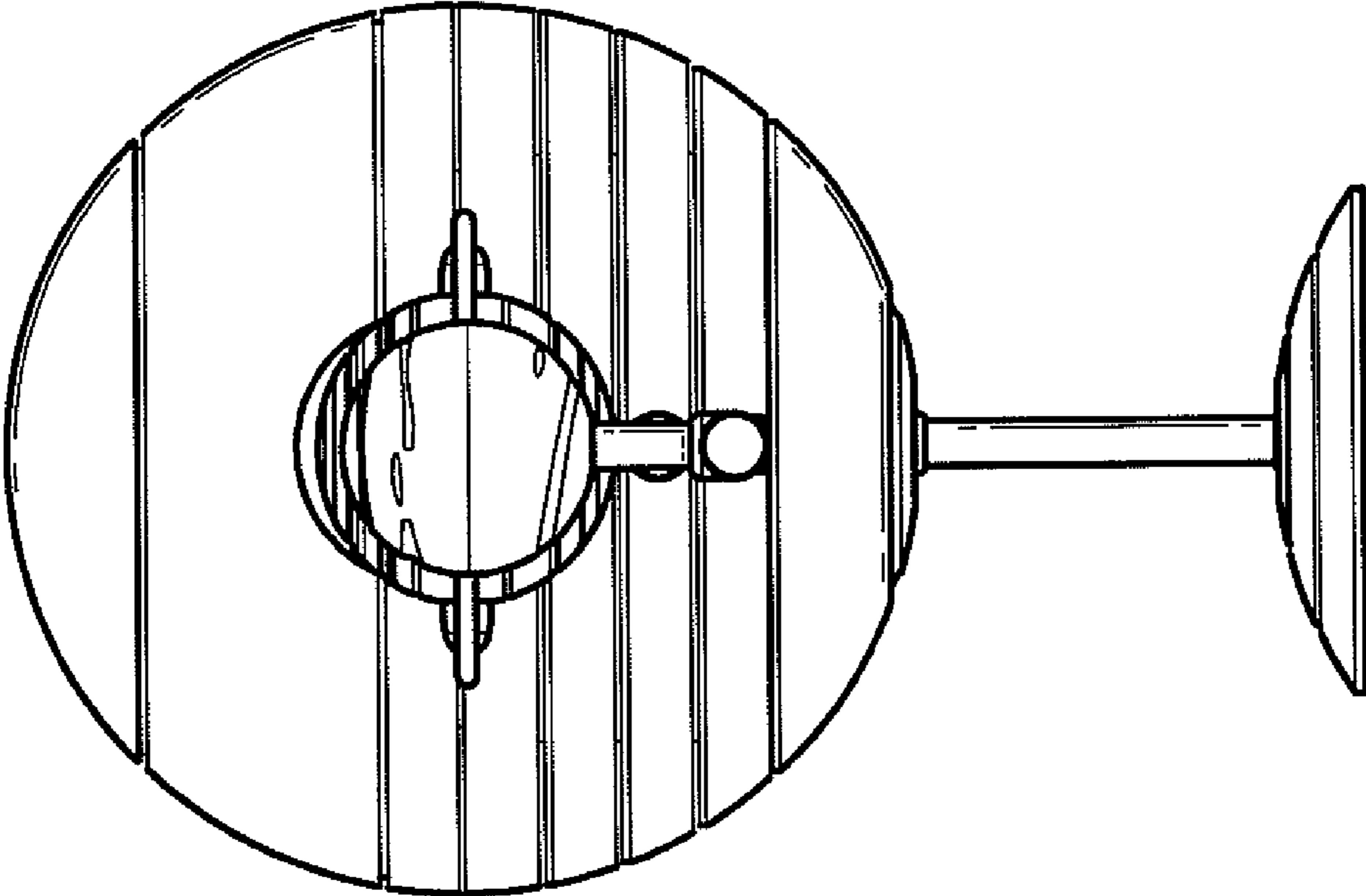


Fig. 2

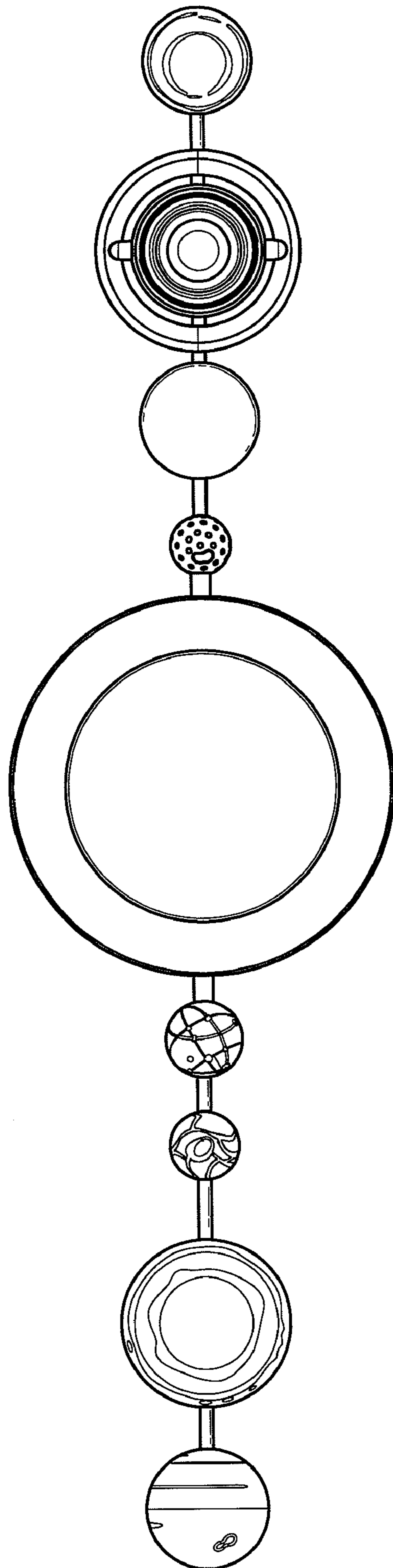


Fig. 3

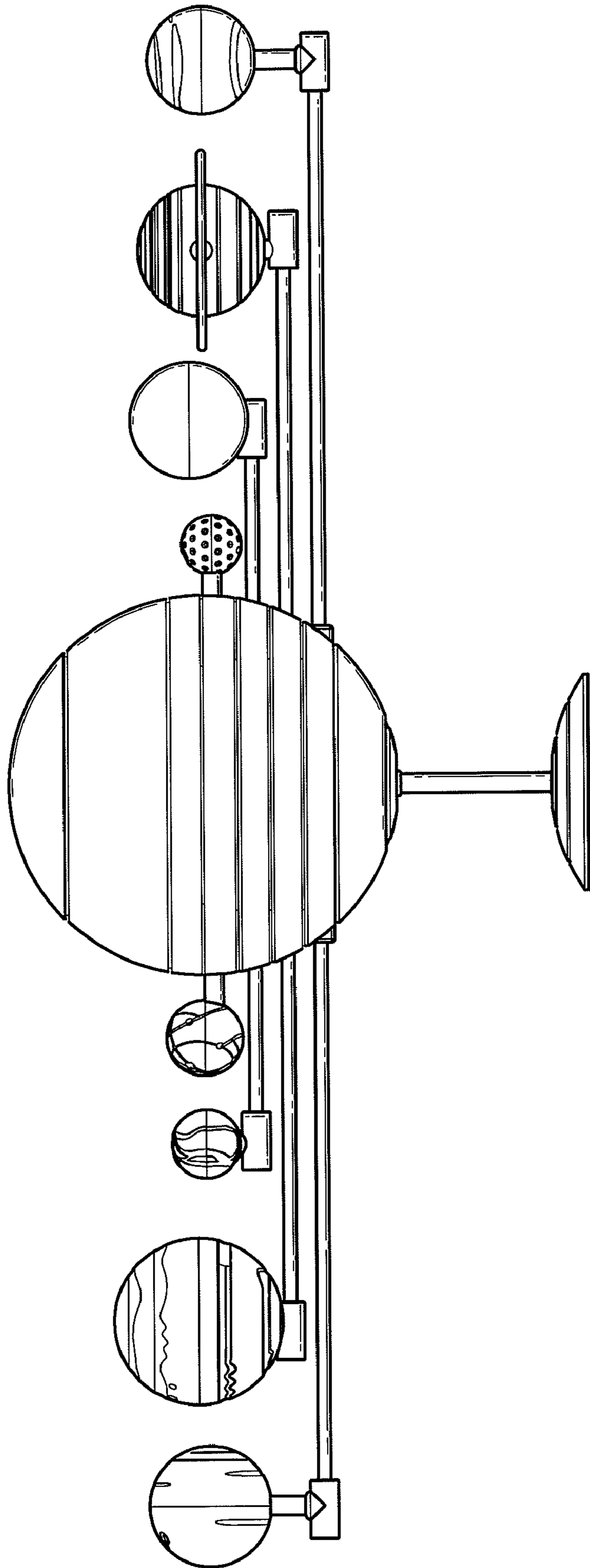


Fig. 4

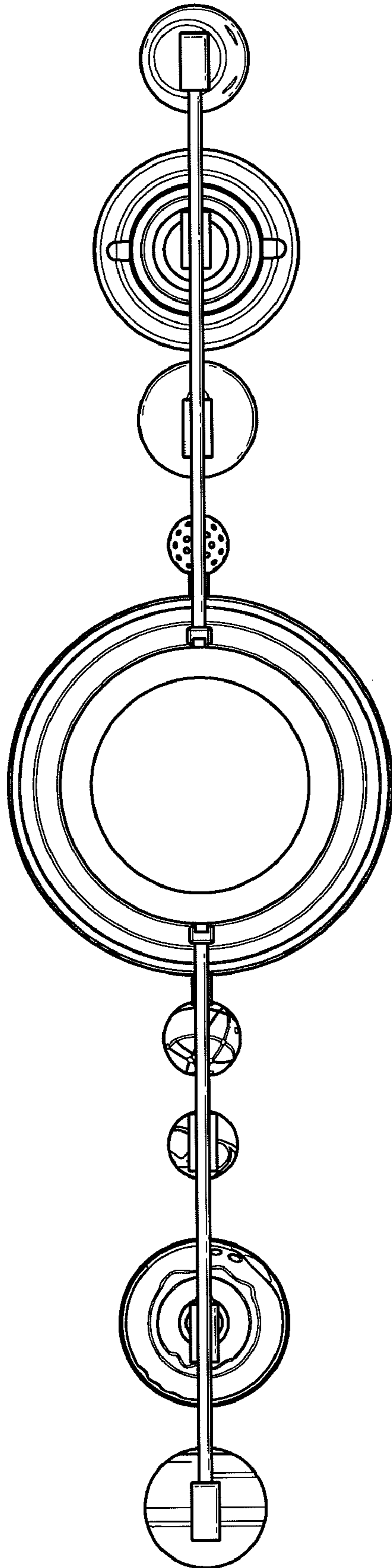


Fig. 5

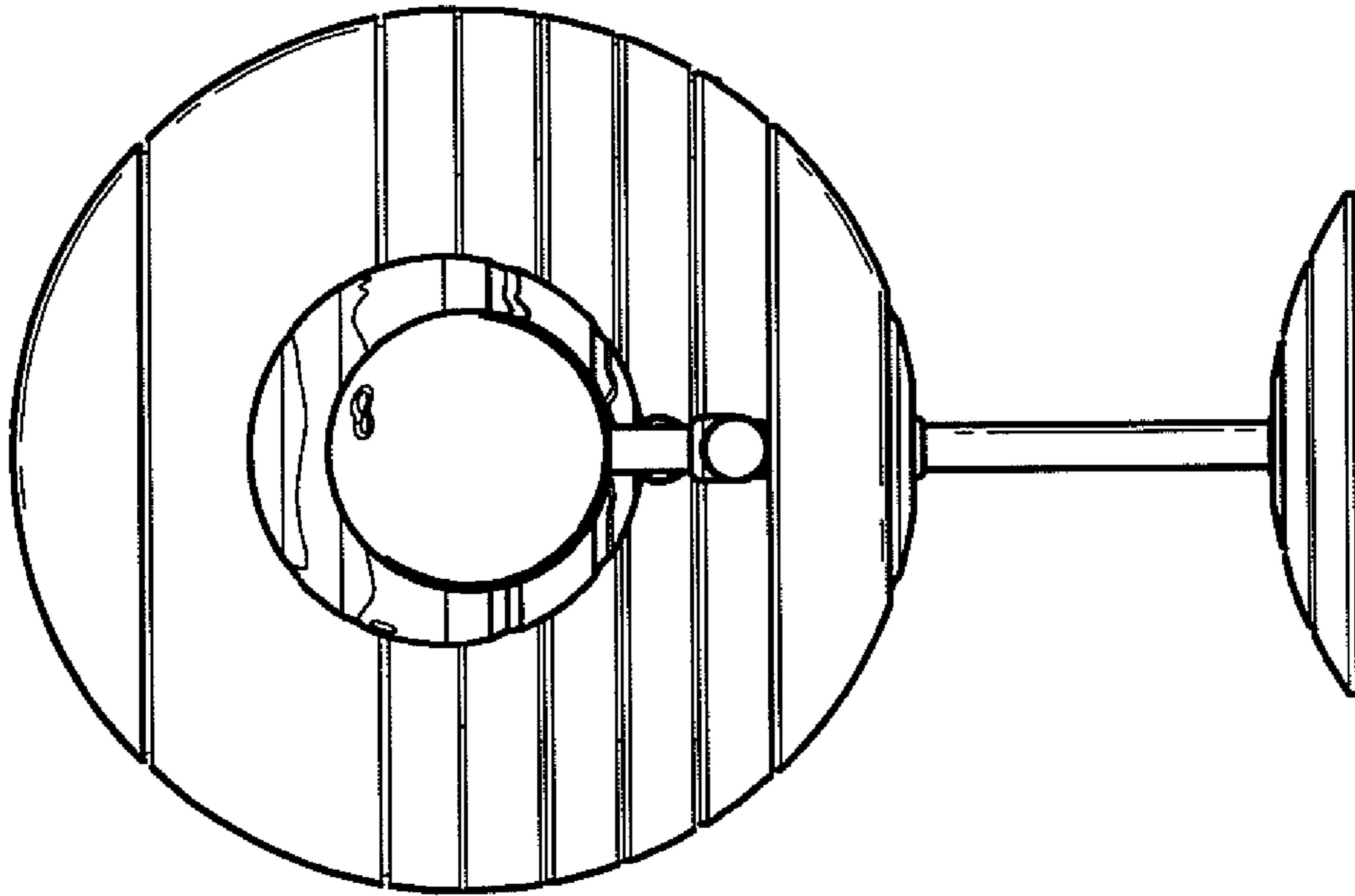


Fig. 6

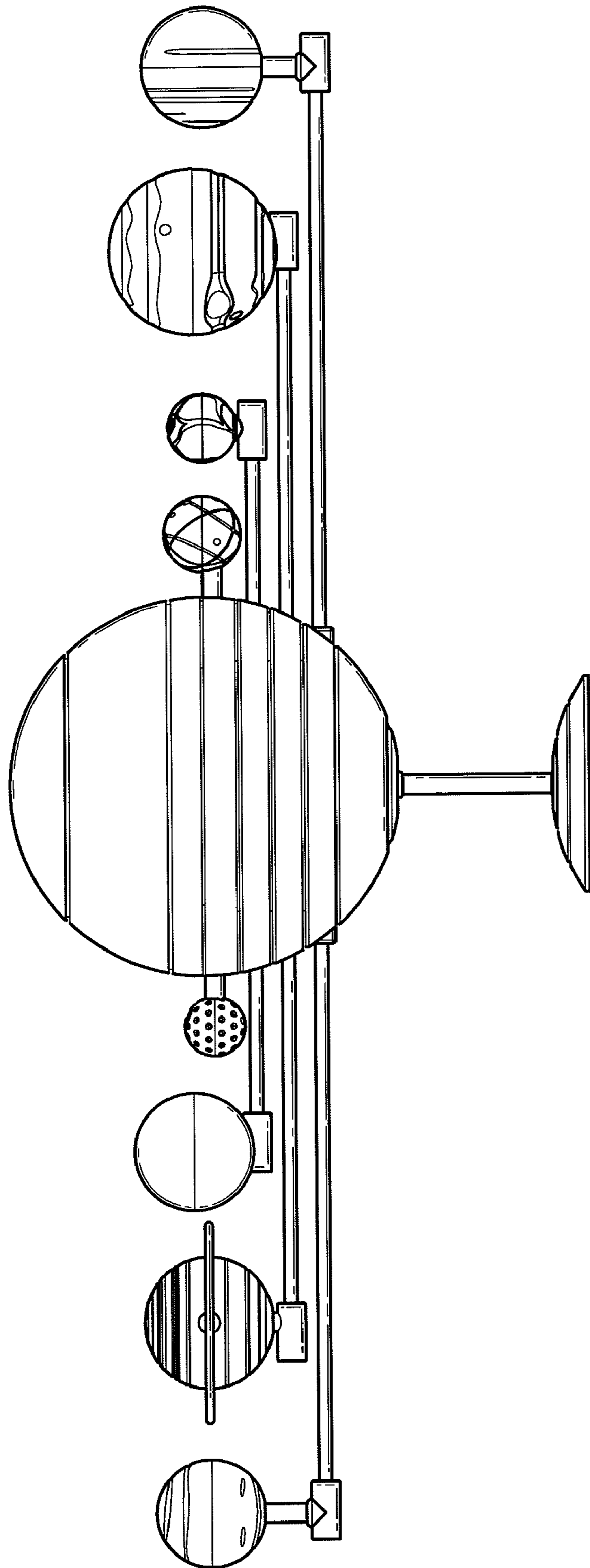


Fig. 7

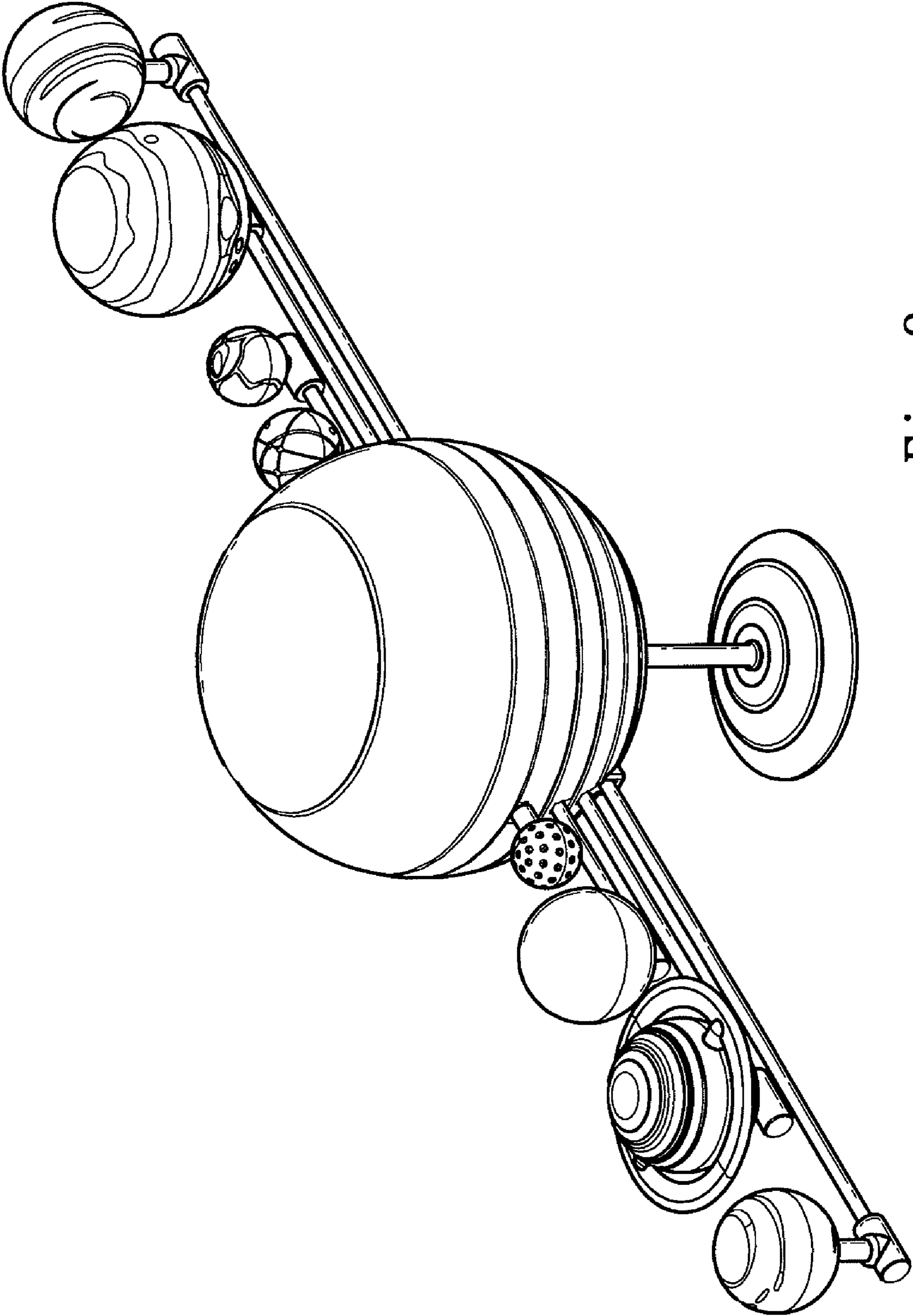


Fig. 8