



US00D619924S

(12) **United States Design Patent**
Jean-Pierre

(10) **Patent No.:** **US D619,924 S**
(45) **Date of Patent:** **** Jul. 20, 2010**

(54) **LINKABLE PLANTER CONTAINER**

(76) Inventor: **D. Jasmine Jean-Pierre**, 18 Hyde Park Dr., East Brunswick, NJ (US) 08816

(**) Term: **14 Years**

(21) Appl. No.: **29/342,104**

(22) Filed: **Aug. 18, 2009**

(51) **LOC (9) Cl.** **11-02**

(52) **U.S. Cl.** **D11/156**

(58) **Field of Classification Search** D6/403-406, D6/556-558; D8/1; D11/143-156, 164; D19/77, 80-82, 84; D23/355, 356; D25/100; D26/9-11, 16, 20, 22; D34/1, 2, 4-6; D99/5, D99/19; 47/32.4, 32.5, 32.7, 33, 39, 41.01, 47/41.1, 41.11-41.15, 42-47, 65, 65.5, 65.9, 47/66.1, 66.6, 66.7, 67-71

See application file for complete search history.

(56) **References Cited**

U.S. PATENT DOCUMENTS

880,694	A *	3/1908	Quackenboss	47/68
1,956,389	A *	4/1934	Kintz	47/68
2,796,980	A *	6/1957	Callinicos	D11/156
3,228,736	A *	1/1966	Beckerman	D11/156
3,841,021	A *	10/1974	Ferrand	47/71
4,176,620	A *	12/1979	Kassos	47/69
6,108,971	A *	8/2000	Zaremba	47/65.5
2005/0204621	A1 *	9/2005	Garrison	47/66.1
2007/0084112	A1 *	4/2007	Butler	47/66.1
2009/0064573	A1 *	3/2009	Braun	47/65.5

2009/0183429 A1* 7/2009 Kim et al. 47/66.1

* cited by examiner

Primary Examiner—Caron Veynar

Assistant Examiner—Garth Rademaker

(74) *Attorney, Agent, or Firm*—QuickPatents, Inc.; Kevin Prince

(57) **CLAIM**

I claim the ornamental design for a linkable planter container, as shown and described.

DESCRIPTION

FIG. 1 is a perspective view of a linkable planter container, showing my new design;

FIG. 2 is an exploded perspective view thereof showing two end portions thereof as removed from a container portion thereof;

FIG. 3 is a front elevational view thereof;

FIG. 4 is a rear elevational view thereof;

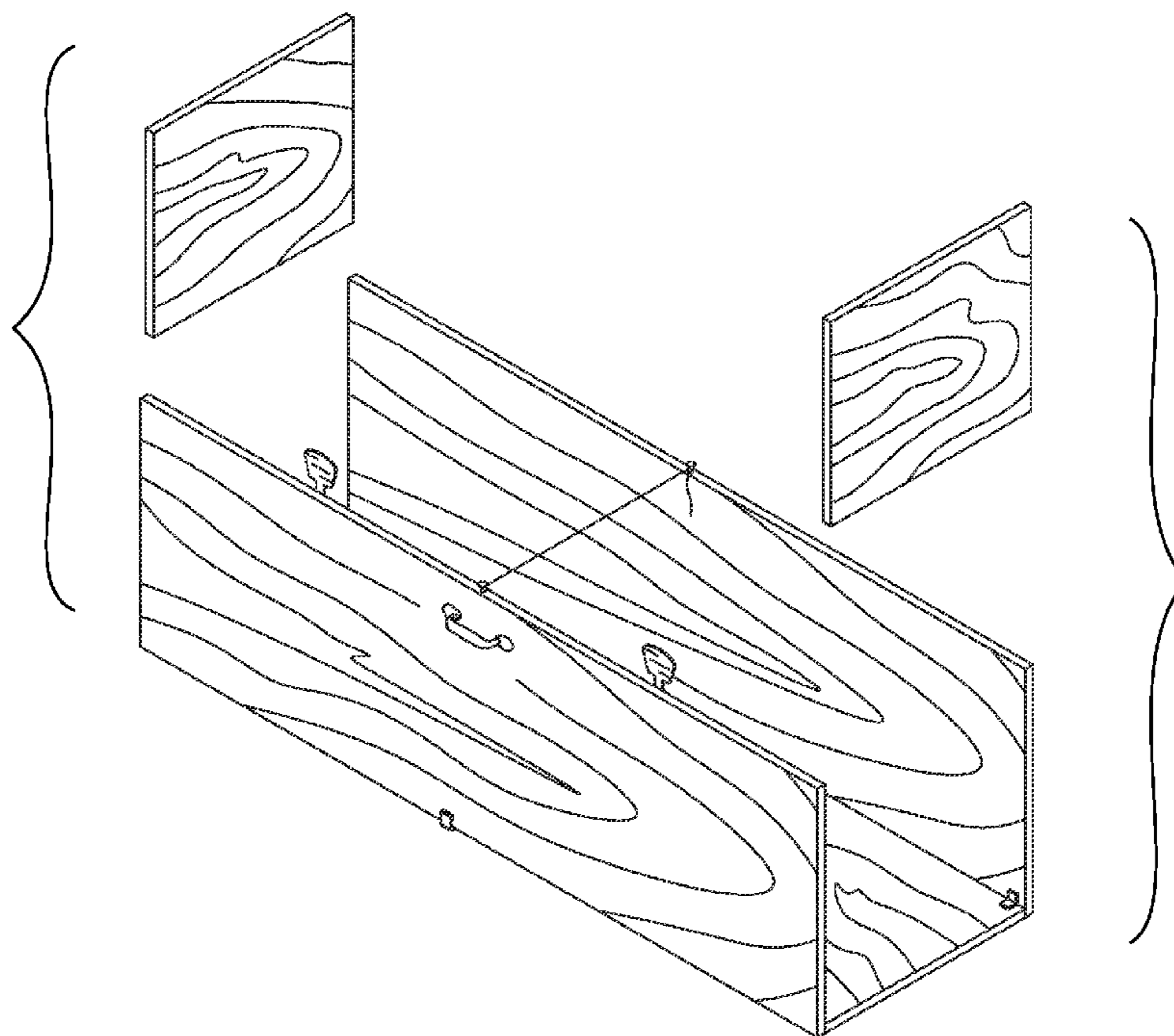
FIG. 5 is a top plan view thereof;

FIG. 6 is a bottom plan view thereof; and,

FIG. 7 is a right-side elevational view thereof, the left-side elevational view being a mirror image thereof.

The broken lines showing an additional linkable planter container and vegetation in FIG. 1 are included for the purpose of illustrating the invention in use, and form no part of the claimed design. The broken lines showing brackets in FIG. 5 are included to show environmental matter, and form no part of the claimed design.

1 Claim, 4 Drawing Sheets



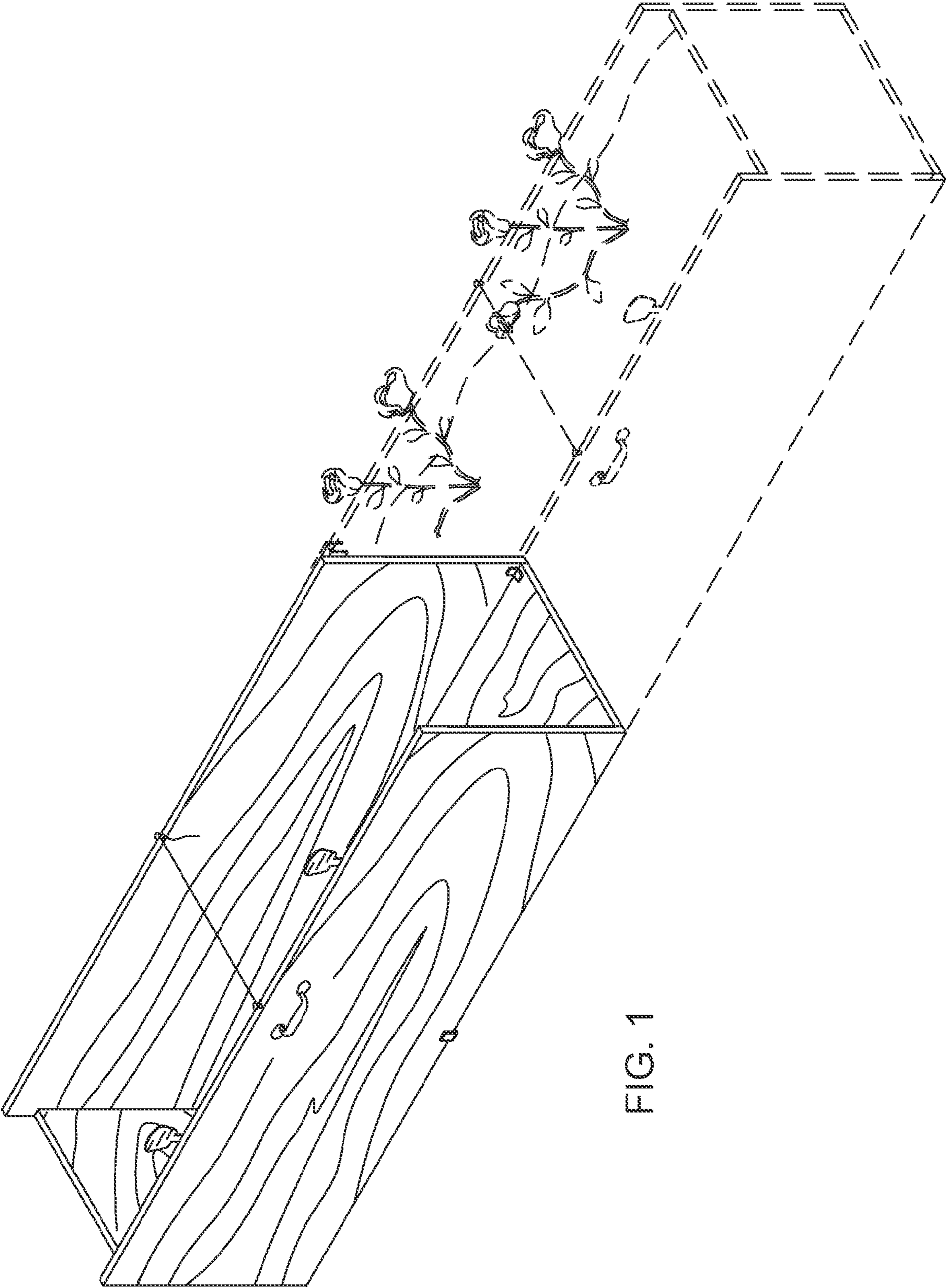


FIG. 1

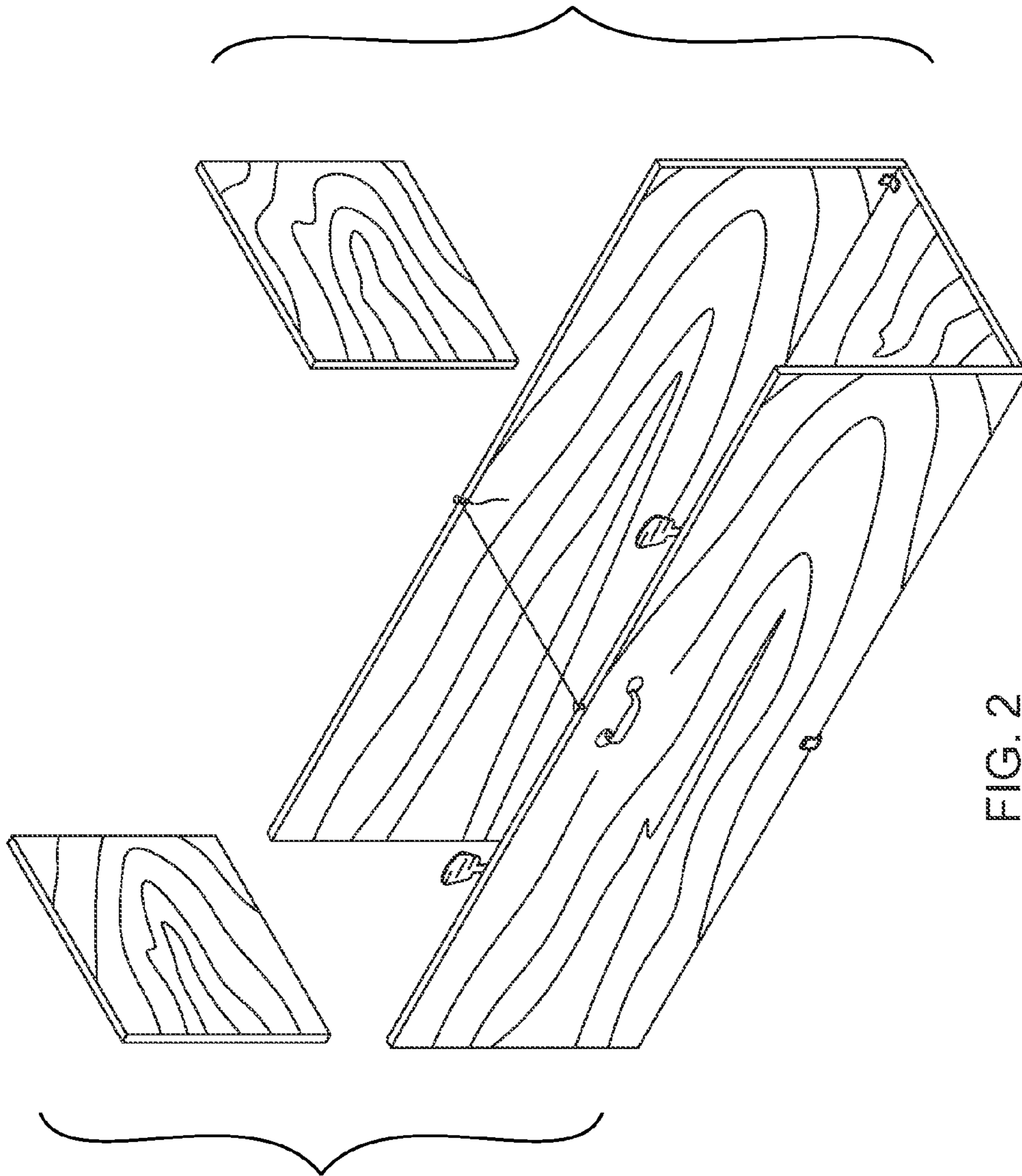


FIG. 2

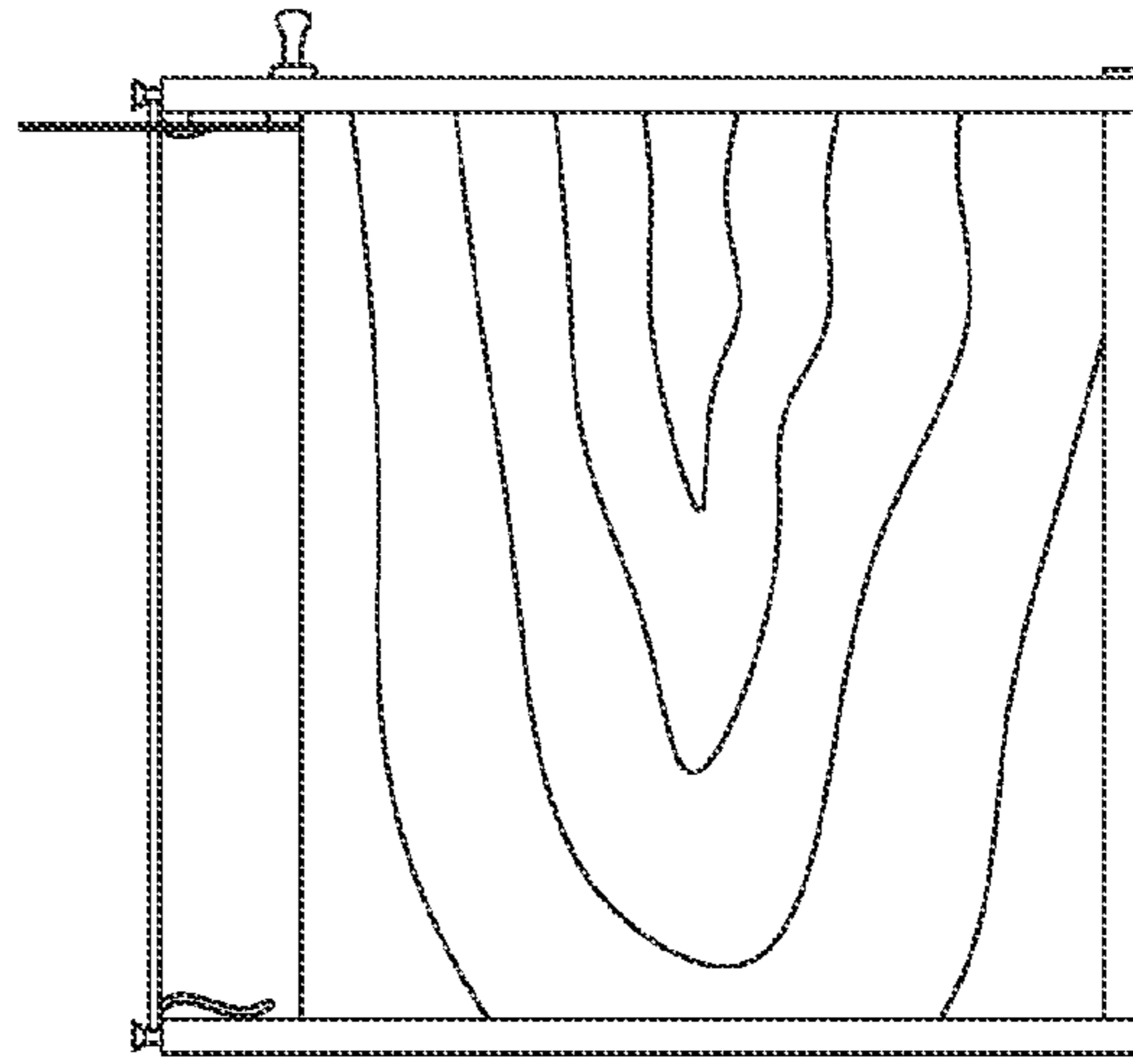


FIG. 7

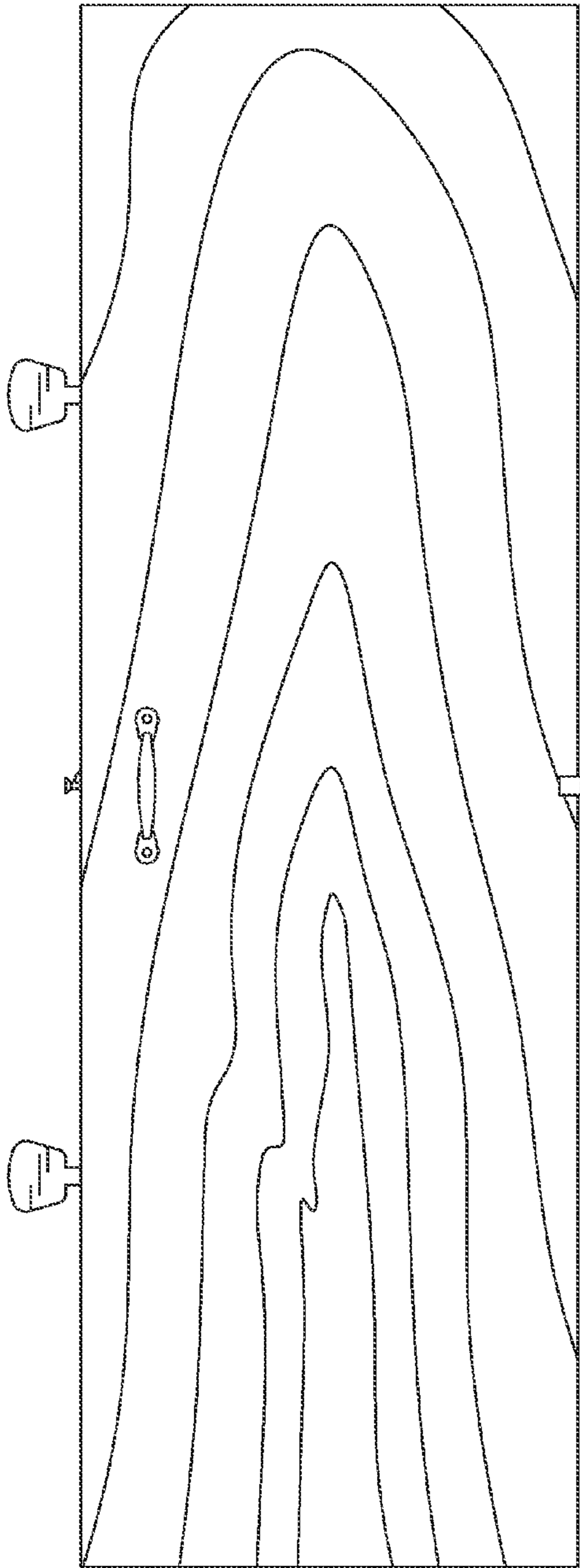


FIG. 3

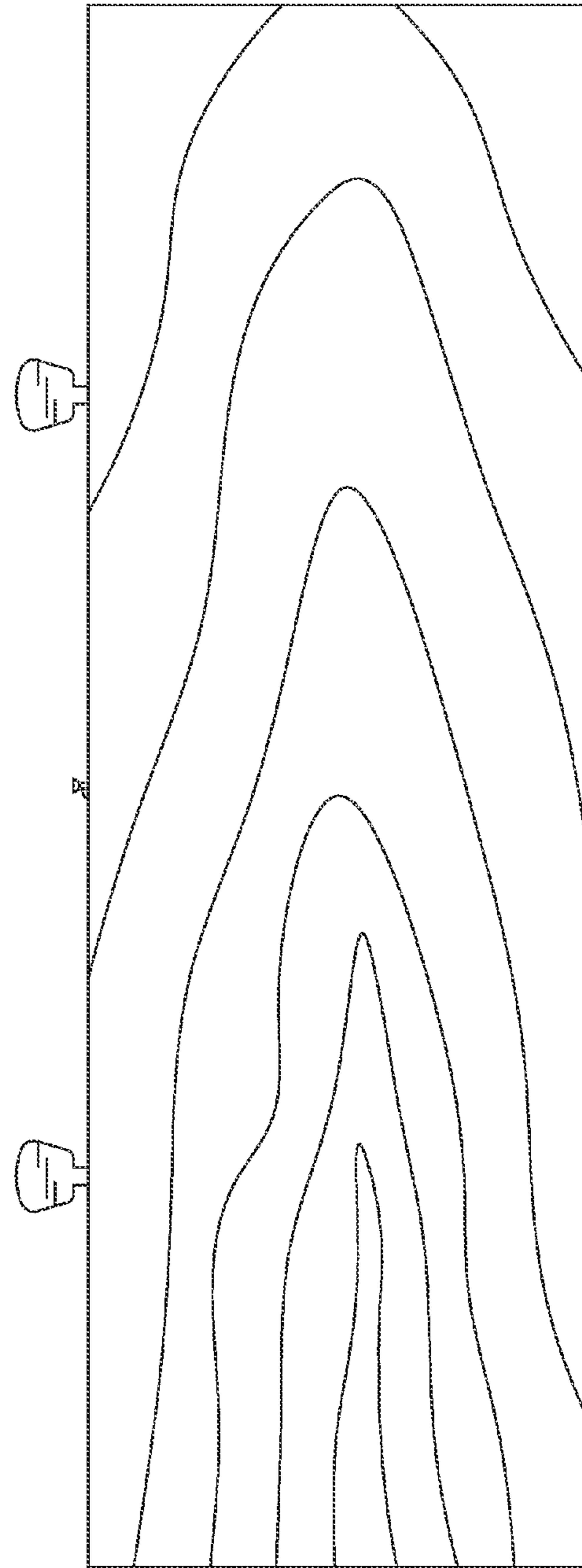


FIG. 4

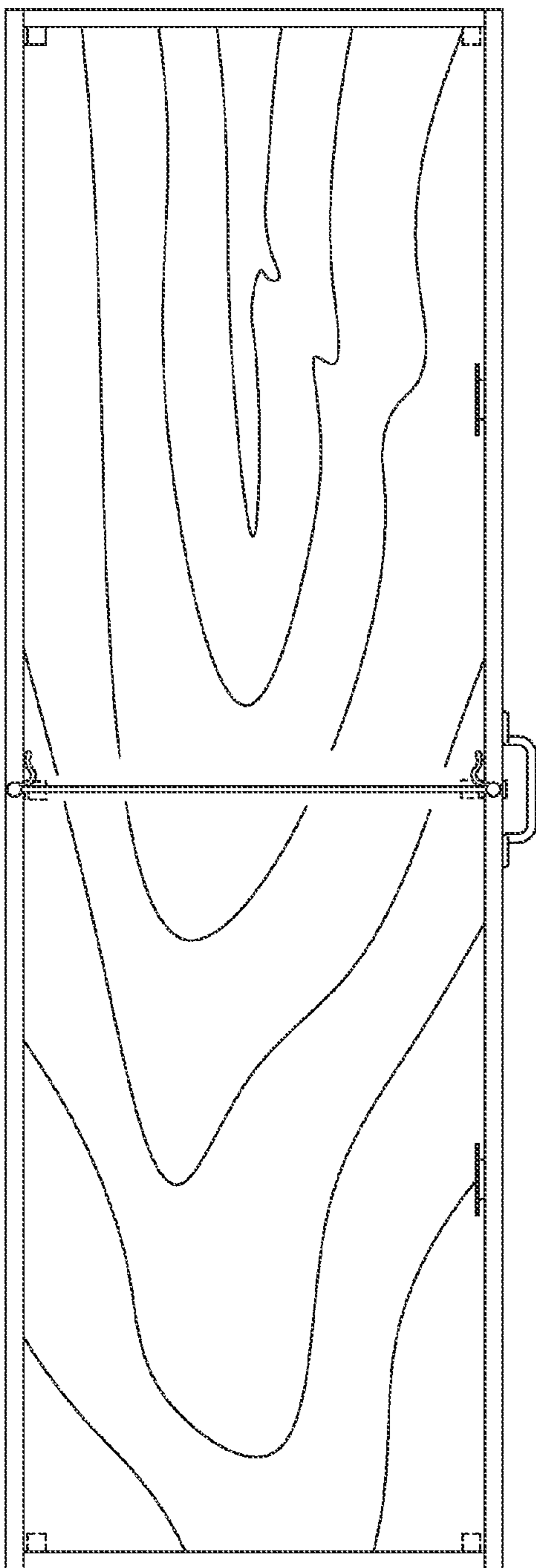


FIG. 5

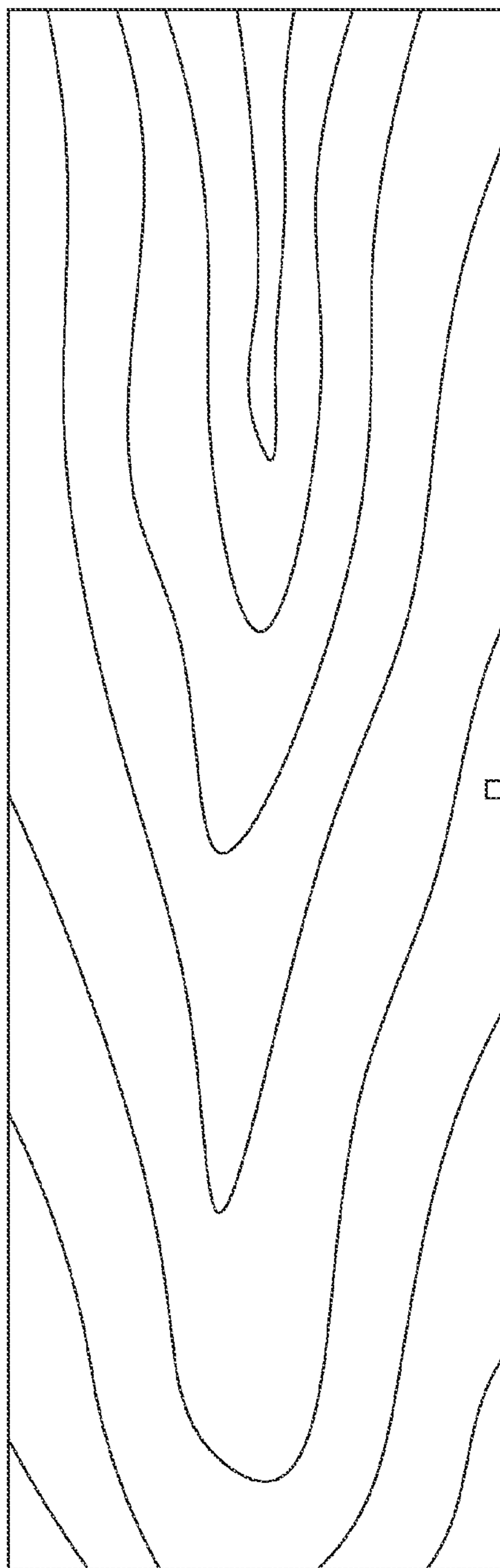


FIG. 6