



US00D619914S

(12) **United States Design Patent**
Lin

(10) **Patent No.:** **US D619,914 S**
(45) **Date of Patent:** **** Jul. 20, 2010**

(54) **RINGER FOR A BICYCLE**

(76) Inventor: **Shen-Keng Lin**, No. 387-16, Feng-Hua Rd., Hsiu-Shui Hsiang, Changhua Hsien (TW)

(**) Term: **14 Years**

(21) Appl. No.: **29/353,309**

(22) Filed: **Jan. 6, 2010**

(51) **LOC (9) Cl.** **10-05**

(52) **U.S. Cl.** **D10/116**

(58) **Field of Classification Search** D10/116-120; 446/26, 204-206, 202; 116/280, 137 R
See application file for complete search history.

(56) **References Cited**

U.S. PATENT DOCUMENTS

591,599	A	*	10/1897	Goulden	116/160
D106,175	S	*	9/1937	Bevin	D10/116
D109,032	S	*	3/1938	Bevin	D10/116
D152,418	S	*	1/1949	Hill	D10/116
D202,672	S	*	10/1965	Winkhaus	D10/116
D316,055	S	*	4/1991	Rixen	D10/116
D360,159	S	*	7/1995	Moore	D10/116
D389,422	S	*	1/1998	Lin	D10/116
D439,859	S	*	4/2001	Morgan	D10/116
D444,729	S	*	7/2001	Lin	D10/116

D487,328	S	*	3/2004	Berman	D2/869
D567,129	S	*	4/2008	Lin	D10/116
D567,693	S	*	4/2008	Ichimura et al.	D10/118
D607,764	S	*	1/2010	Lin	D10/116

* cited by examiner

Primary Examiner—Caron Veynar
Assistant Examiner—George D Kirschbaum
(74) *Attorney, Agent, or Firm*—Marger Johnson & McCollom, P.C.

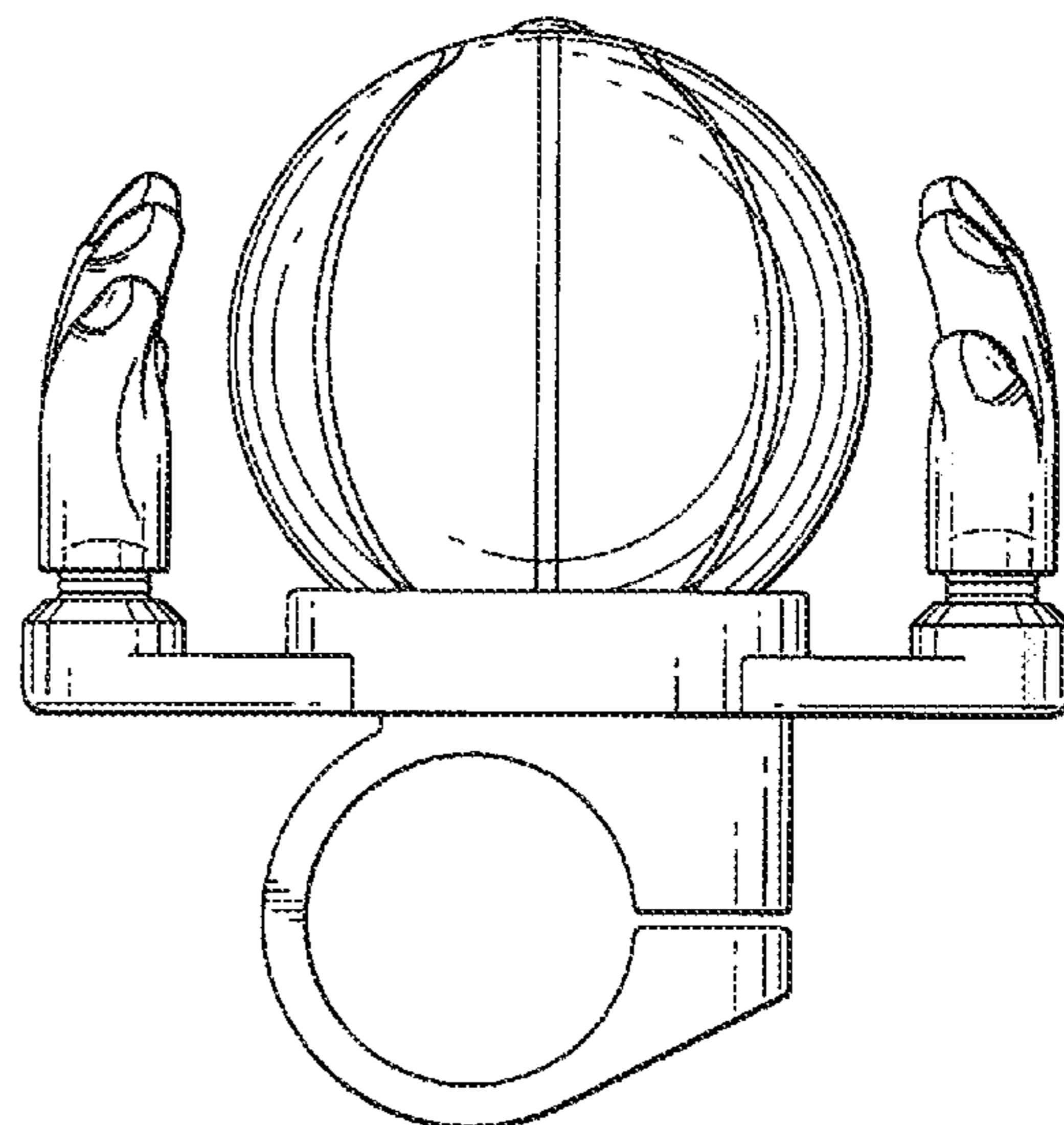
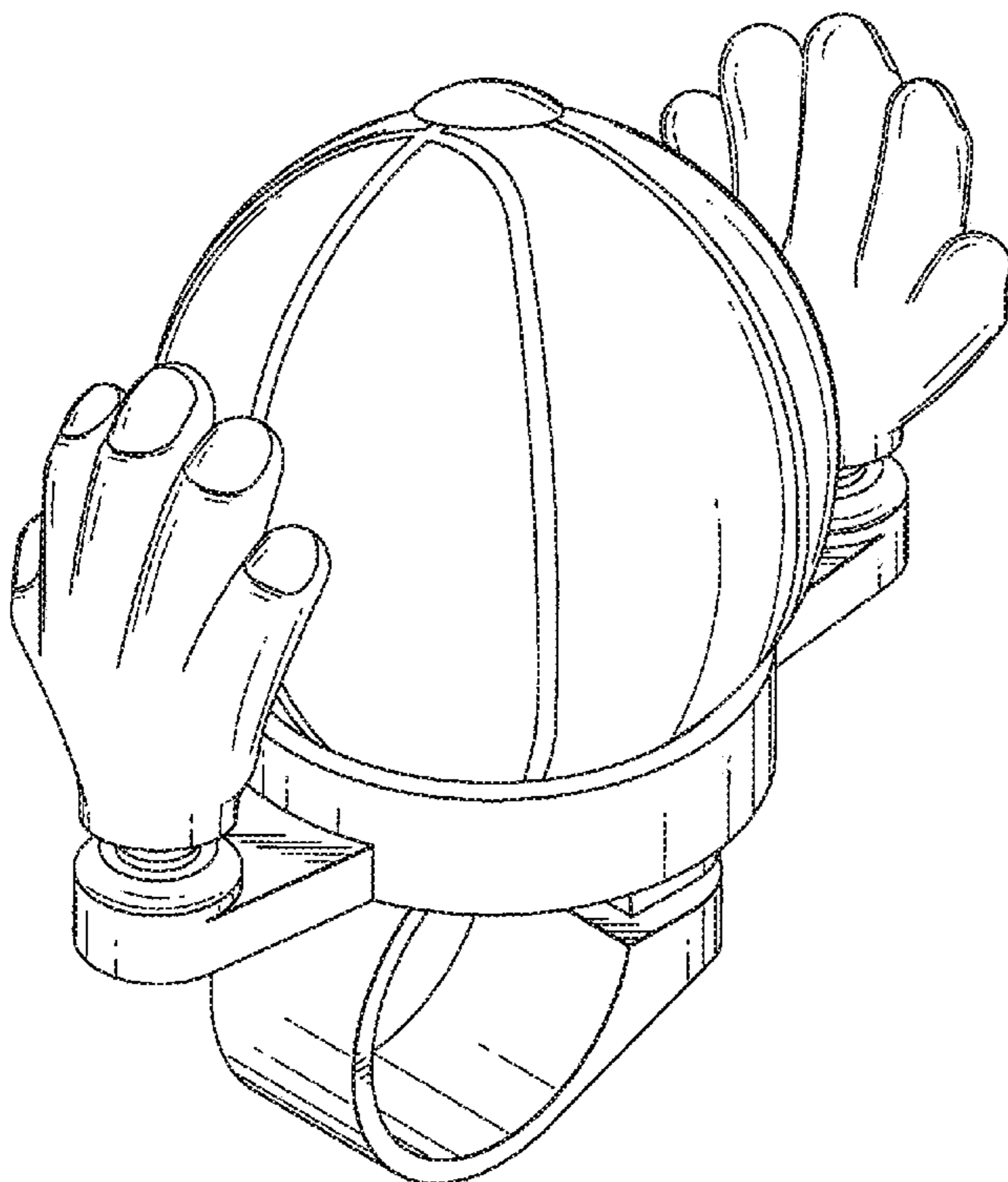
(57) **CLAIM**

The ornamental design for ringer for a bicycle, as shown and described.

DESCRIPTION

FIG. 1 is a perspective view of ringer for a bicycle showing my new design;
FIG. 2 is a front elevational view thereof;
FIG. 3 is a rear elevational view thereof;
FIG. 4 is a left side elevational view thereof;
FIG. 5 is a right side elevational view thereof;
FIG. 6 is a top plan view thereof; and,
FIG. 7 is a bottom plan view thereof.

1 Claim, 4 Drawing Sheets



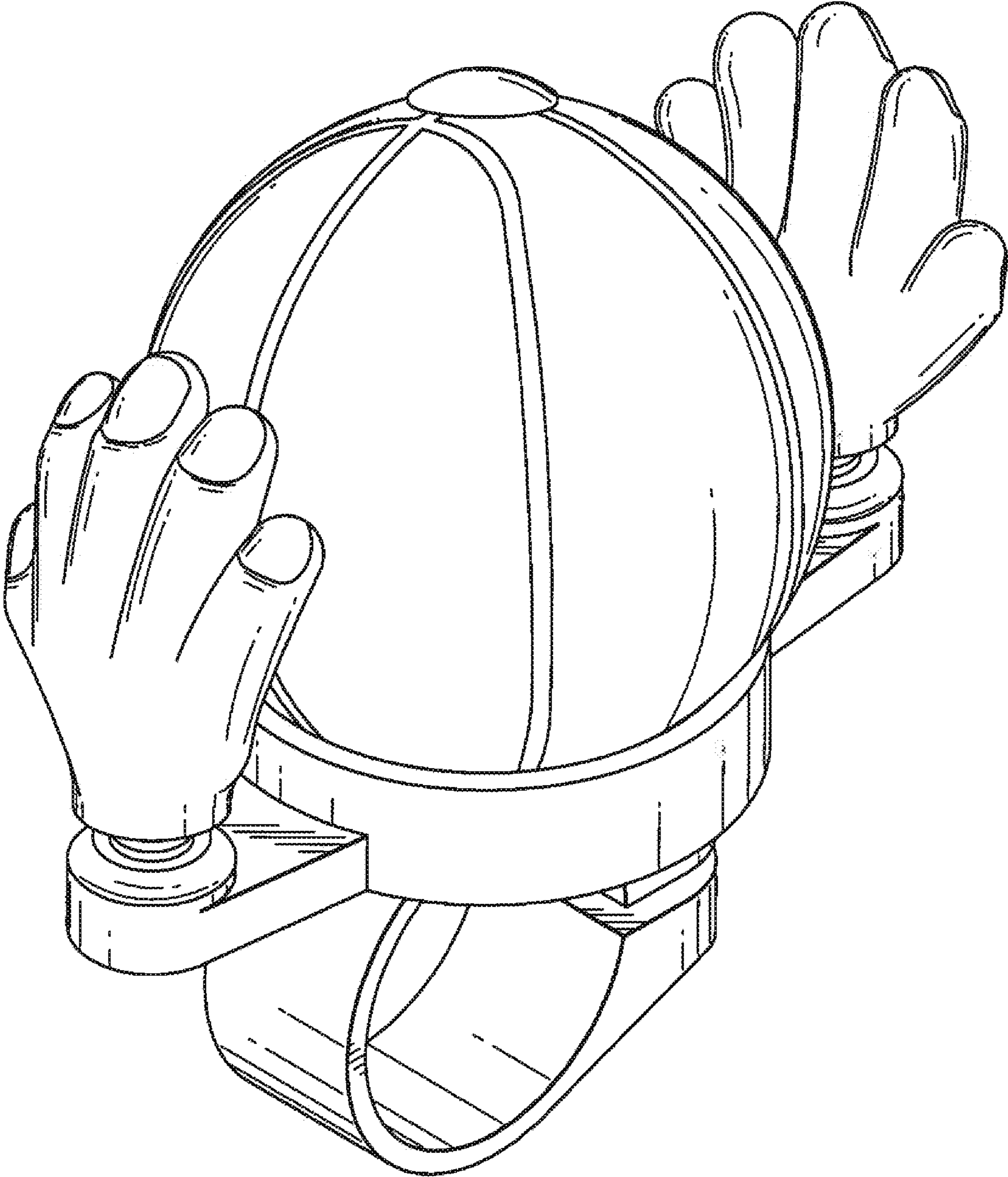


FIG. 1

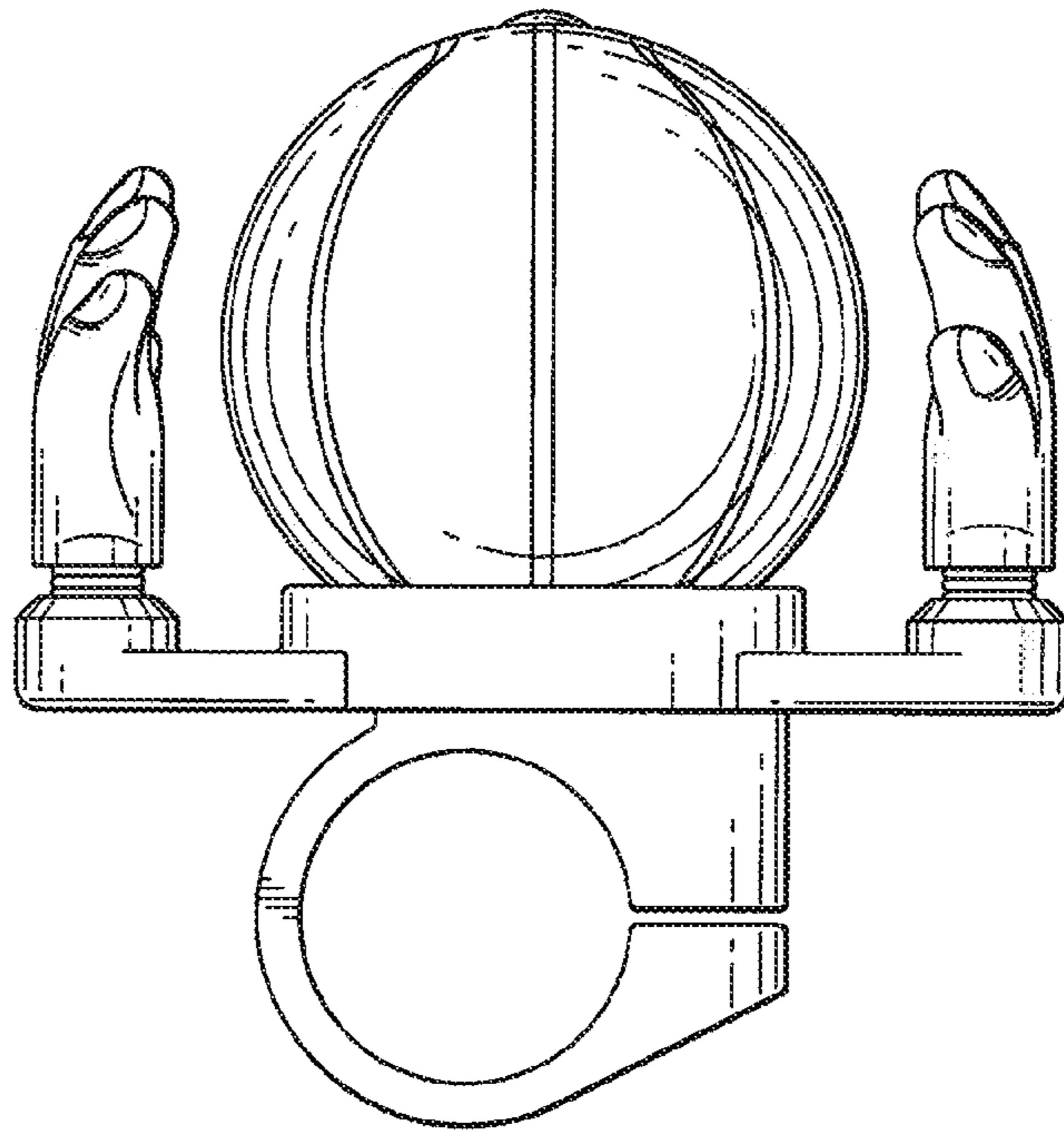


FIG. 2

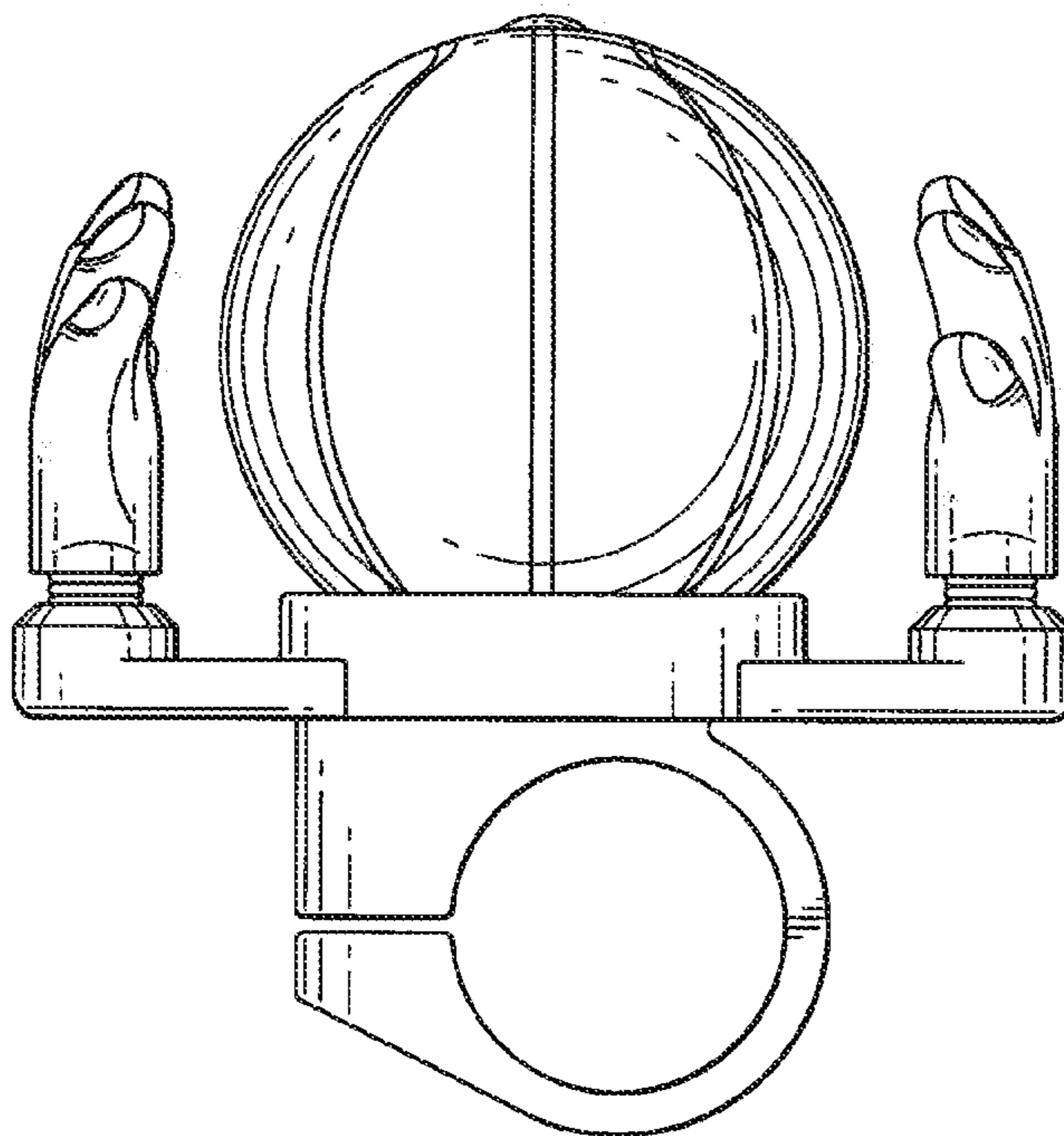


FIG. 3

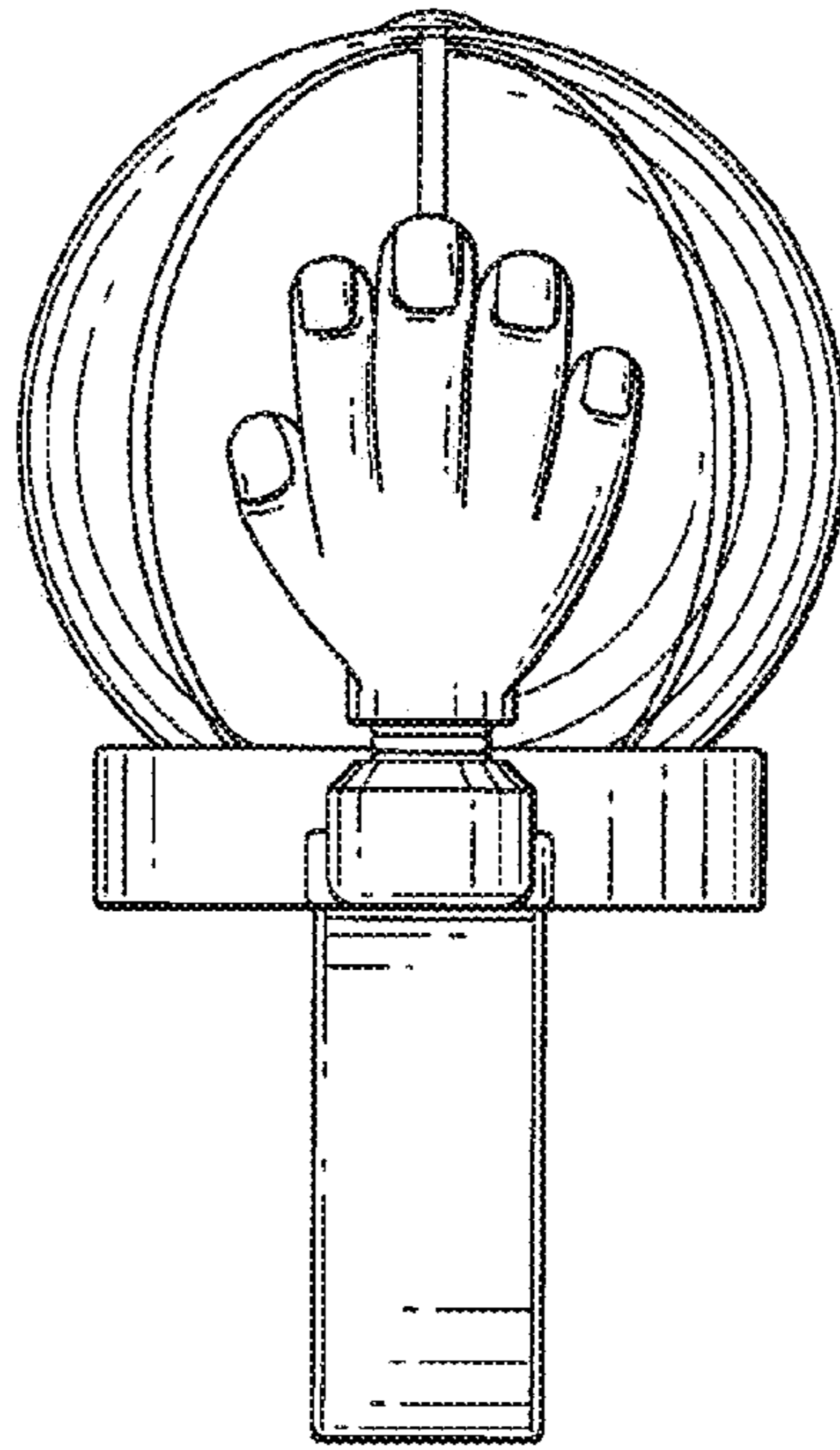


FIG. 4

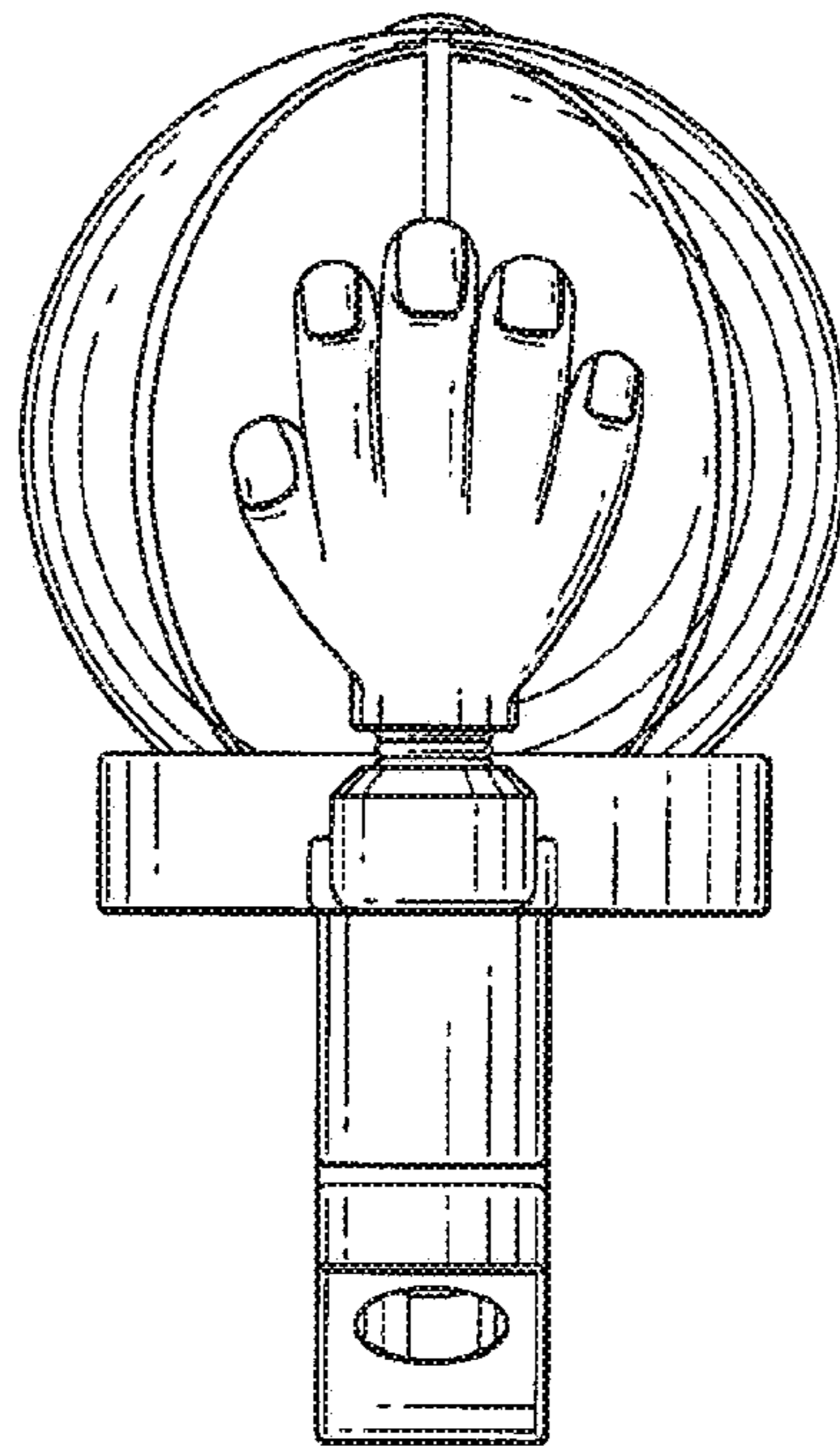


FIG. 5

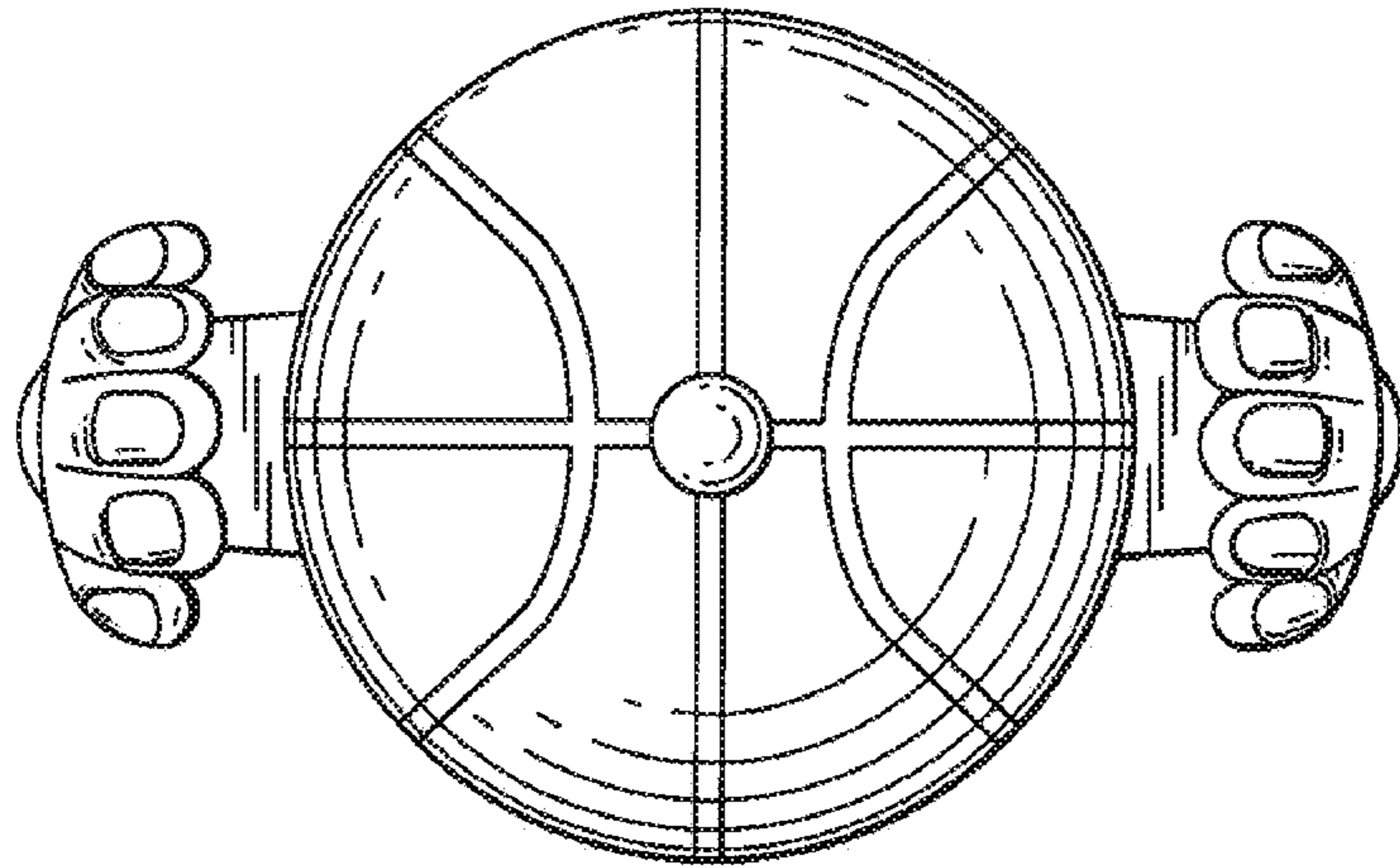


FIG. 6

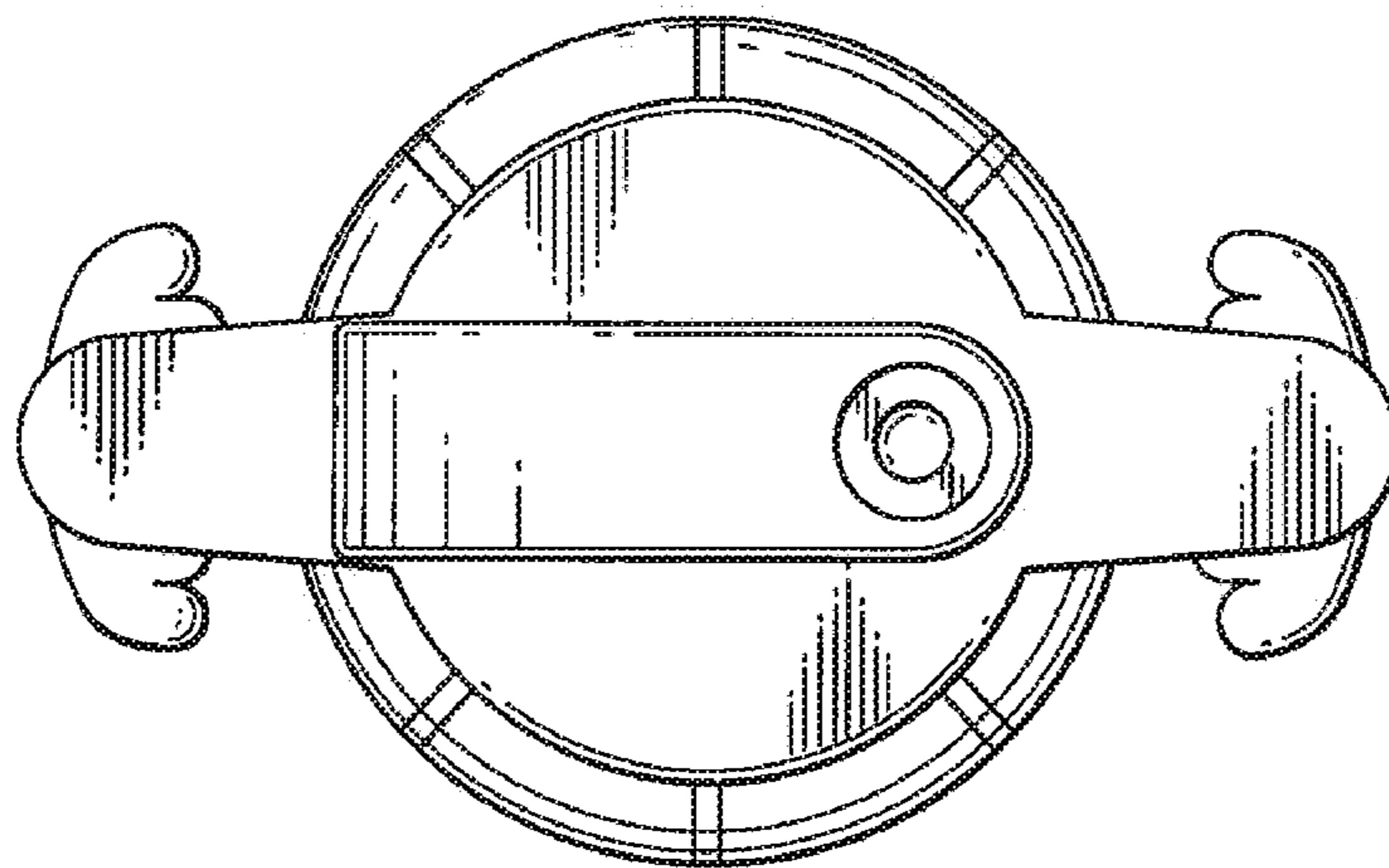


FIG. 7