



US00D619912S

(12) **United States Design Patent**  
**Scalisi**

(10) **Patent No.:** **US D619,912 S**  
(45) **Date of Patent:** **\*\* Jul. 20, 2010**

(54) **LOCATION TRACKING DEVICE AND BASE CHARGING UNIT**

(75) Inventor: **Joseph F. Scalisi**, Yorba Linda, CA (US)

(73) Assignee: **Location Based Technologies, Inc.**, Irvine, CA (US)

(\*\*) Term: **14 Years**

(21) Appl. No.: **29/332,609**

(22) Filed: **Feb. 20, 2009**

(51) **LOC (9) Cl.** ..... **10-04**

(52) **U.S. Cl.** ..... **D10/65**

(58) **Field of Classification Search** ..... D10/65, D10/70; 356/5.15, 4.01, 5.01, 5.08, 4.05, 356/5.07, 5.09, 5.12, 28.5, 345, 375, 3.01, 356/5.06, 128-155, 399, 400; 385/83, 97, 385/98, 99, 134-139; 701/211-213; 702/150, 702/185, 208; 264/1.24-1.25; 33/276, 277, 33/281, 285, 286, 290, 291-299; 340/573.1-573.4, 340/539, 825.36, 825.46, 825.49, 357.02, 340/357.07-357.09; D13/107-108; 320/107-115  
See application file for complete search history.

(56) **References Cited**

**U.S. PATENT DOCUMENTS**

D346,125 S \* 4/1994 Cote et al. .... D10/65  
(Continued)

*Primary Examiner*—Antoine D Davis

(74) *Attorney, Agent, or Firm*—Law Office of Robert E. Kasody, P.C.

(57) **CLAIM**

The ornamental design for a location tracking device and a base charging unit, as shown and describe.

**DESCRIPTION**

FIG. 1 is a perspective view showing the front and left side of the base charging unit in accordance with a first embodiment thereof.

FIG. 2 is a top plan view of the base charging unit in accordance with the first embodiment thereof.

FIG. 3 is a left side elevational view of the base charging unit in accordance with the first embodiment thereof.

FIG. 4 is a right side elevational view of the base charging unit in accordance with the first embodiment thereof.

FIG. 5 is a front elevational view of the base charging unit in accordance with the first embodiment thereof.

FIG. 6 is a rear elevational view of the base charging unit in accordance with the first embodiment thereof.

FIG. 7 is a bottom plan view of the base charging unit in accordance with the first embodiment thereof.

FIG. 8 is a perspective view showing the front and left side of the location tracking device and the base charging unit inserted therein in accordance with a second embodiment thereof.

FIG. 9 is a perspective view showing the front and left side of the location tracking device in the process of being inserted into the base charging unit therein in accordance with the second embodiment thereof.

FIG. 10 is a top plan view of the location tracking device of FIG. 8 in accordance with the second embodiment thereof.

FIG. 11 is a front elevation view of the location tracking device of FIG. 8 in accordance with the second embodiment thereof.

FIG. 12 is a side elevation view of the location tracking device of FIG. 8 in accordance with the second embodiment thereof.

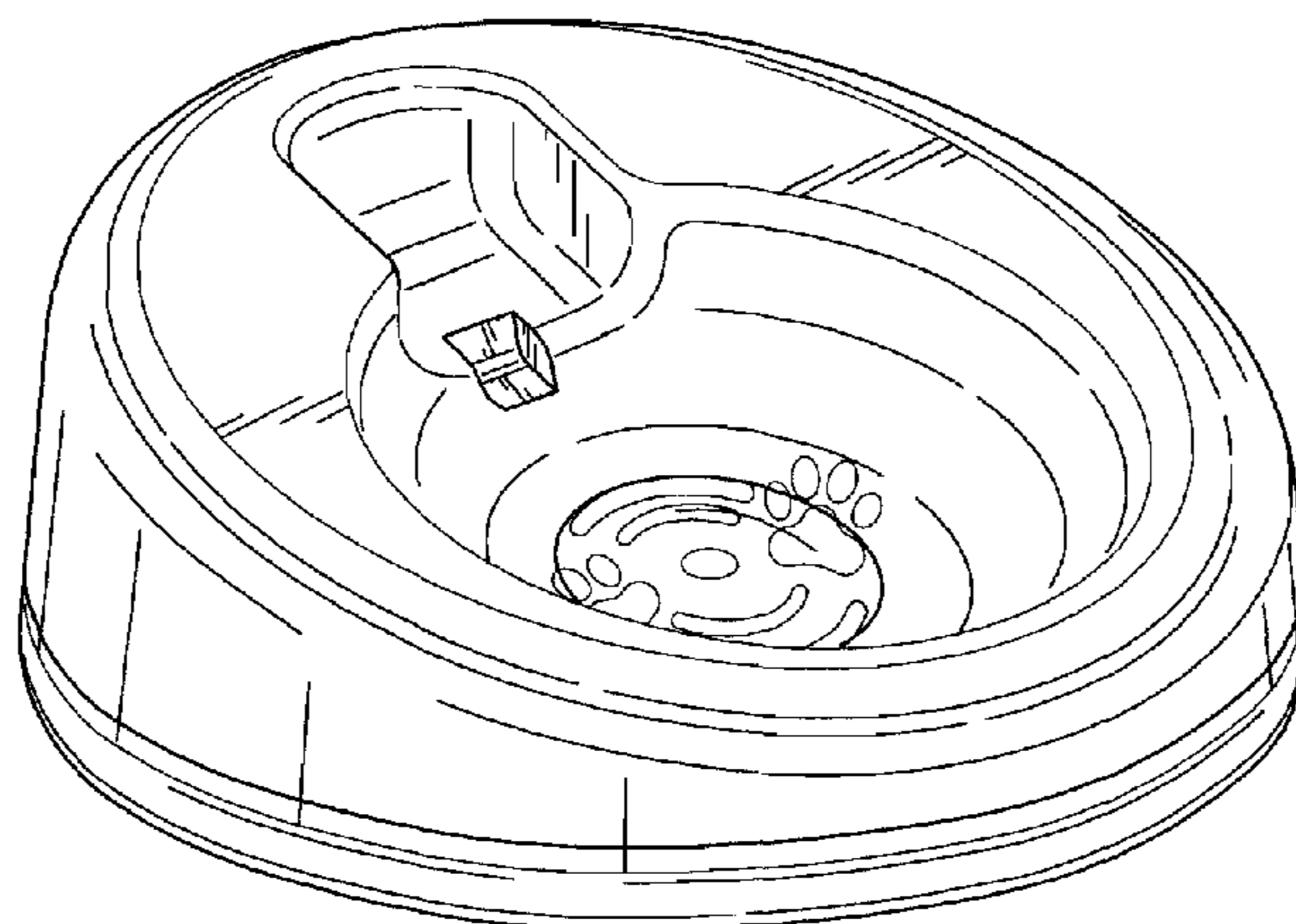
FIG. 13 is a top elevation view of the location tracking device of FIG. 8 in accordance with the second embodiment thereof; and,

FIG. 14 is a bottom plan view of the location tracking device of FIG. 8 in accordance with the second embodiment thereof.

The broken line portions of the drawings are for illustrative purposes only and form no part of the claimed design.

A characteristic feature of the design resides in the outline of a design including two paw prints positioned about a circle and four curved lines (two above and two below the two paw prints) as observed from the perspective view showing the front and left side views of the base charging unit and the location tracking device and from a top plan view of the base charging unit and the location tracking device.

**1 Claim, 5 Drawing Sheets**



# US D619,912 S

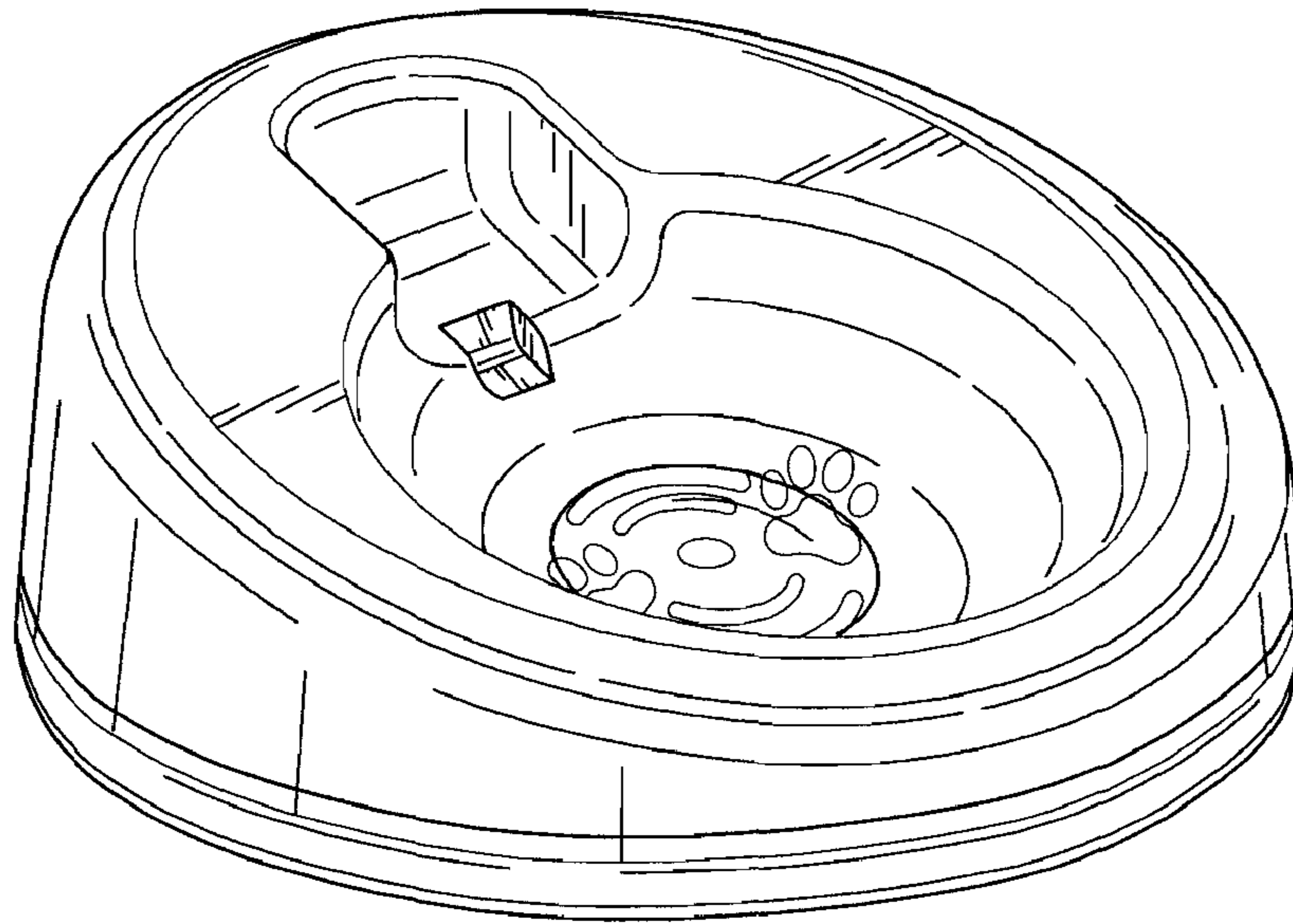
Page 2

---

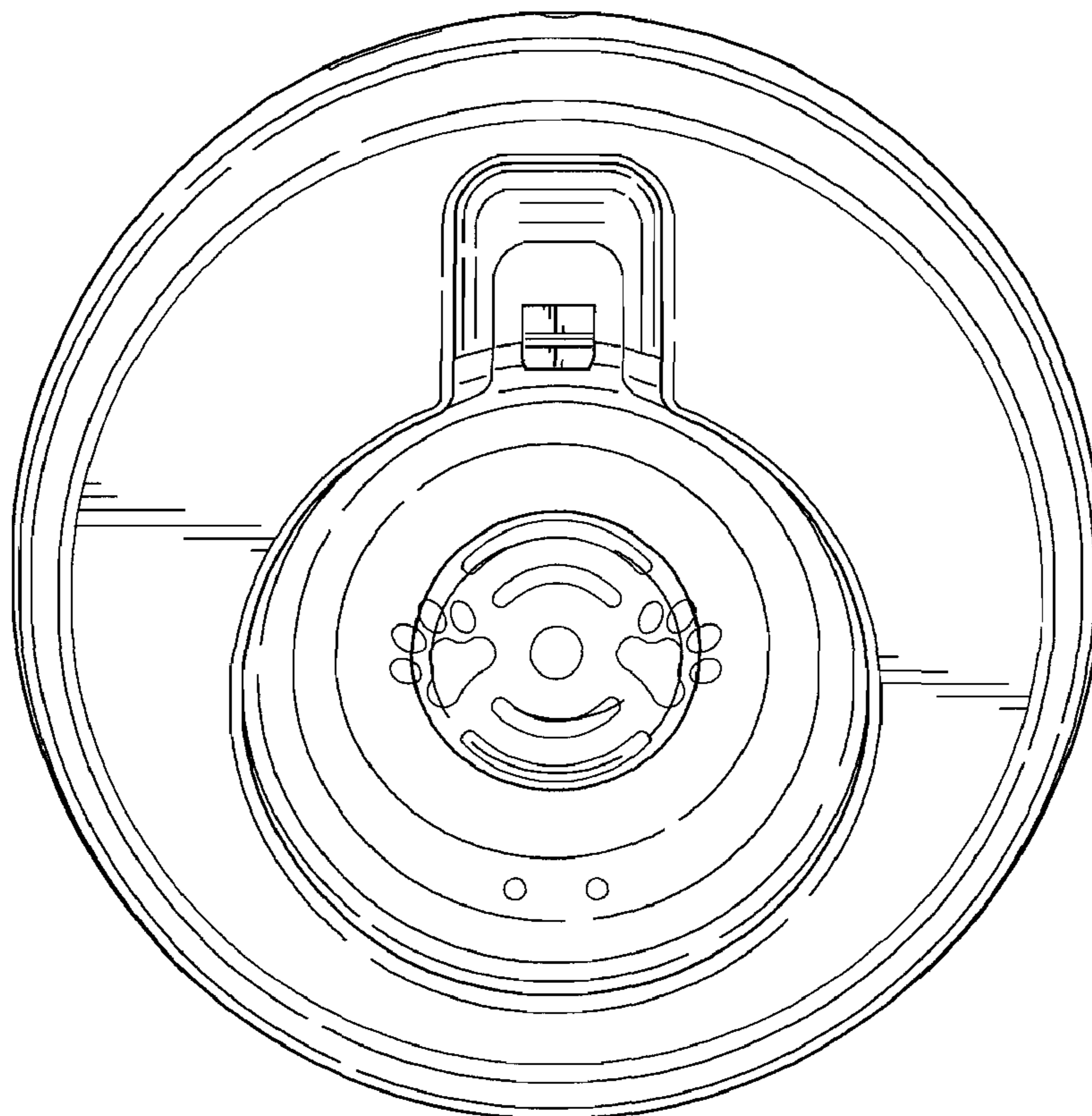
## U.S. PATENT DOCUMENTS

D380,729	S *	7/1997	Richards et al. ....	D13/108	D526,586	S *	8/2006	McCaghren et al. ....	D10/65
5,894,275	A *	4/1999	Swingle .....	340/692	7,385,502	B2 *	6/2008	Deola .....	340/539.21
D409,563	S *	5/1999	Haase et al. ....	D13/107	D575,649	S *	8/2008	Scalisi et al. ....	D10/65
6,302,554	B1 *	10/2001	Holce .....	362/84	7,479,890	B2 *	1/2009	Lehrman et al. ....	340/573.1
D459,250	S *	6/2002	Kitamura .....	D10/65	2006/0006998	A1 *	1/2006	Carlson .....	340/539.12
6,674,364	B1 *	1/2004	Holbrook et al. ....	340/568.1	2006/0087440	A1 *	4/2006	Klein .....	340/573.3

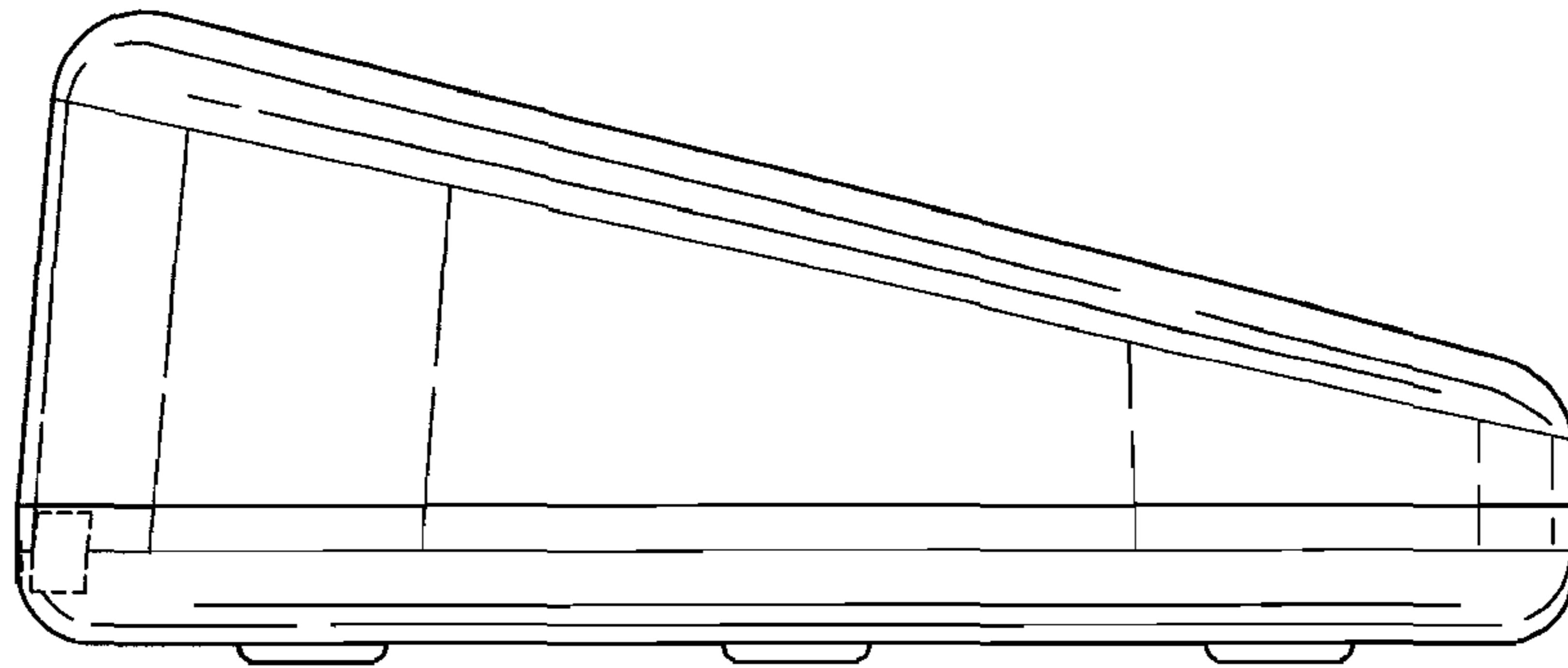
\* cited by examiner



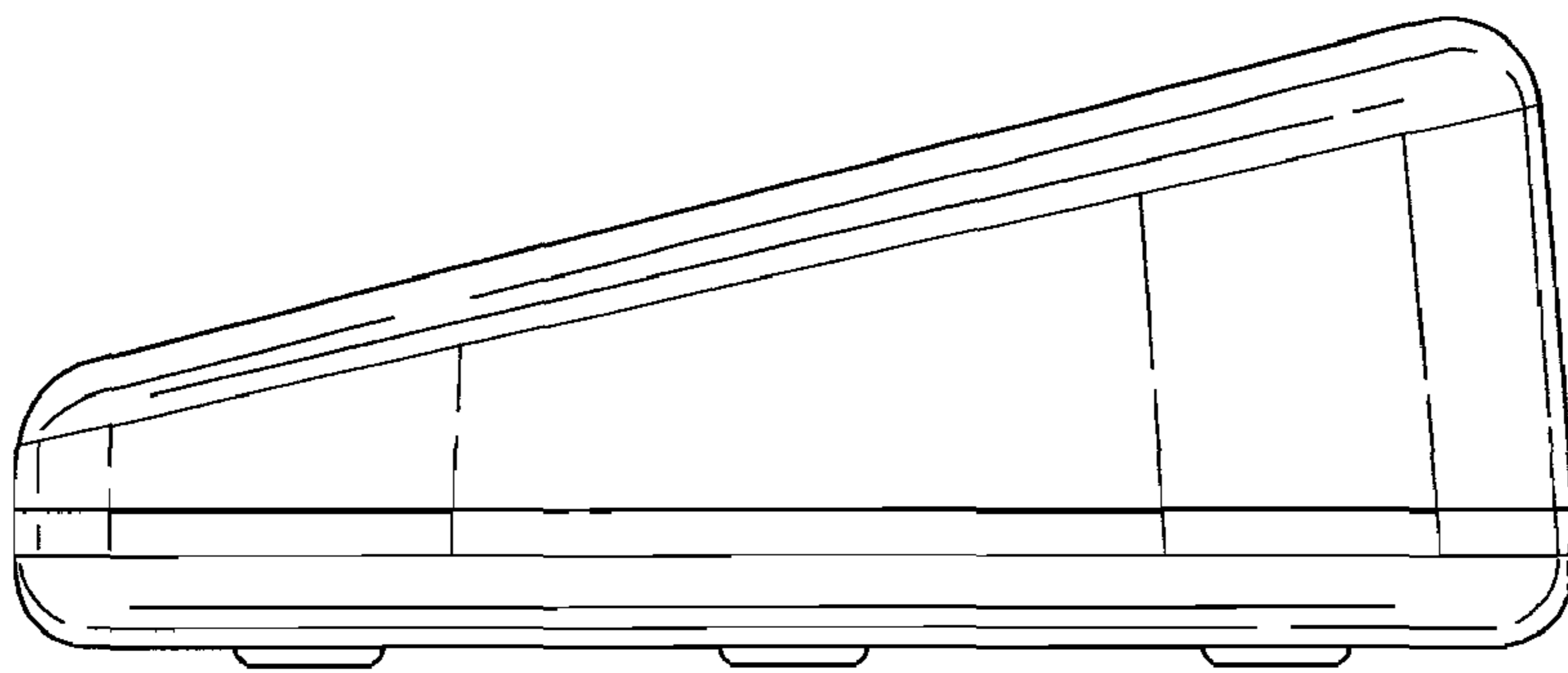
*FIG. 1*



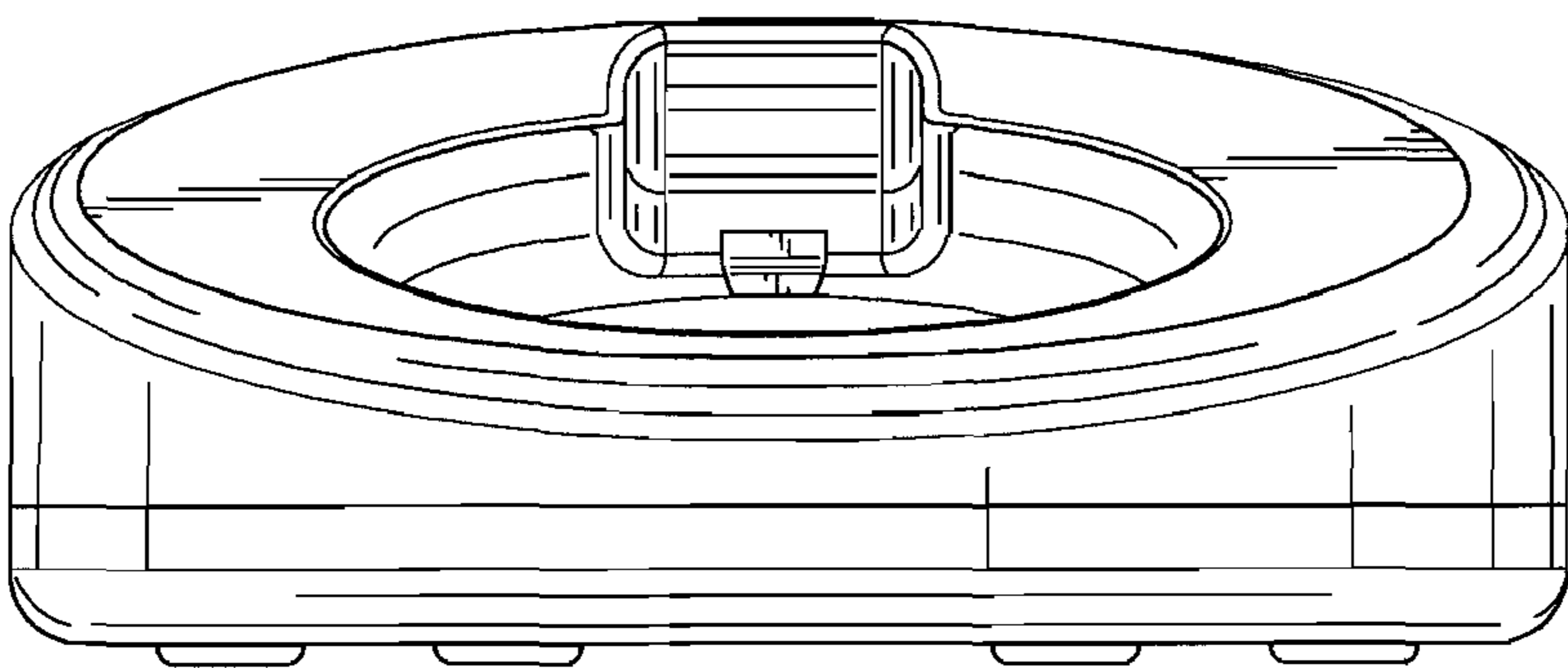
*FIG. 2*



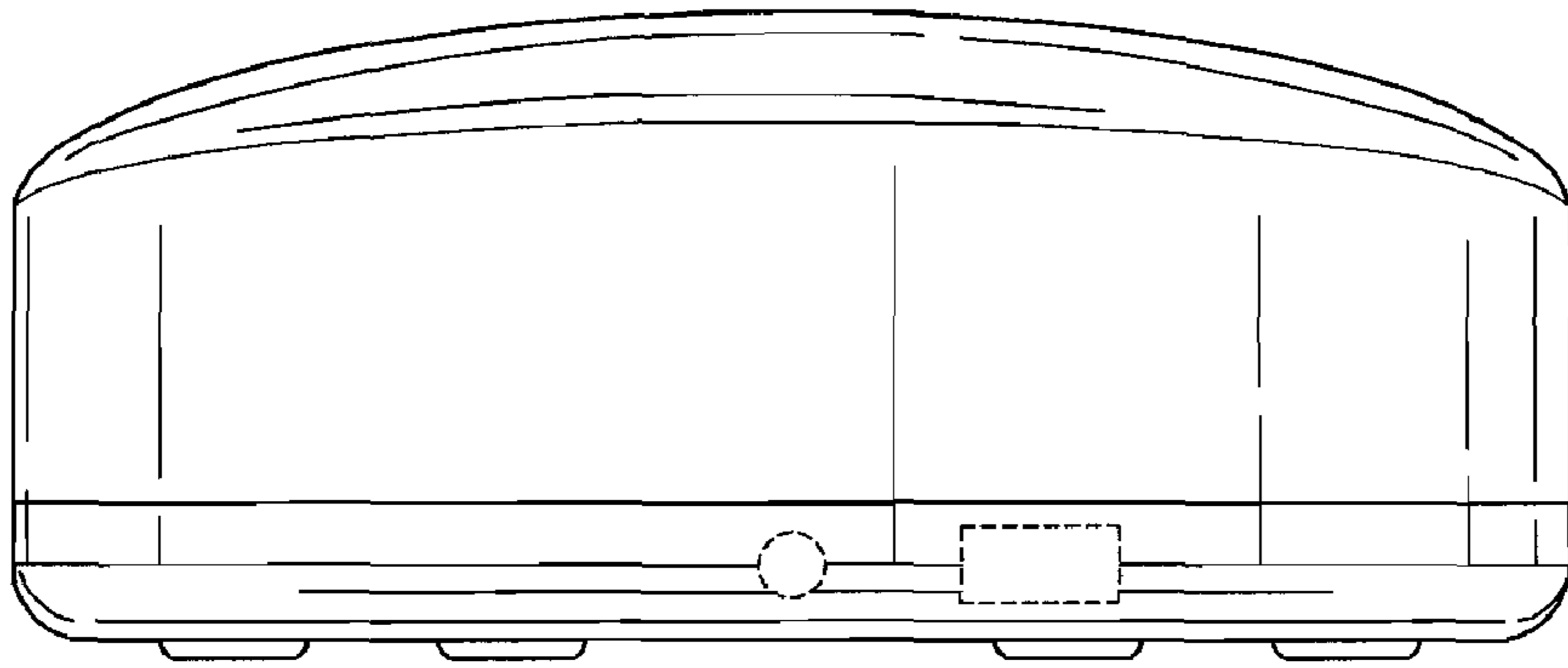
*FIG. 3*



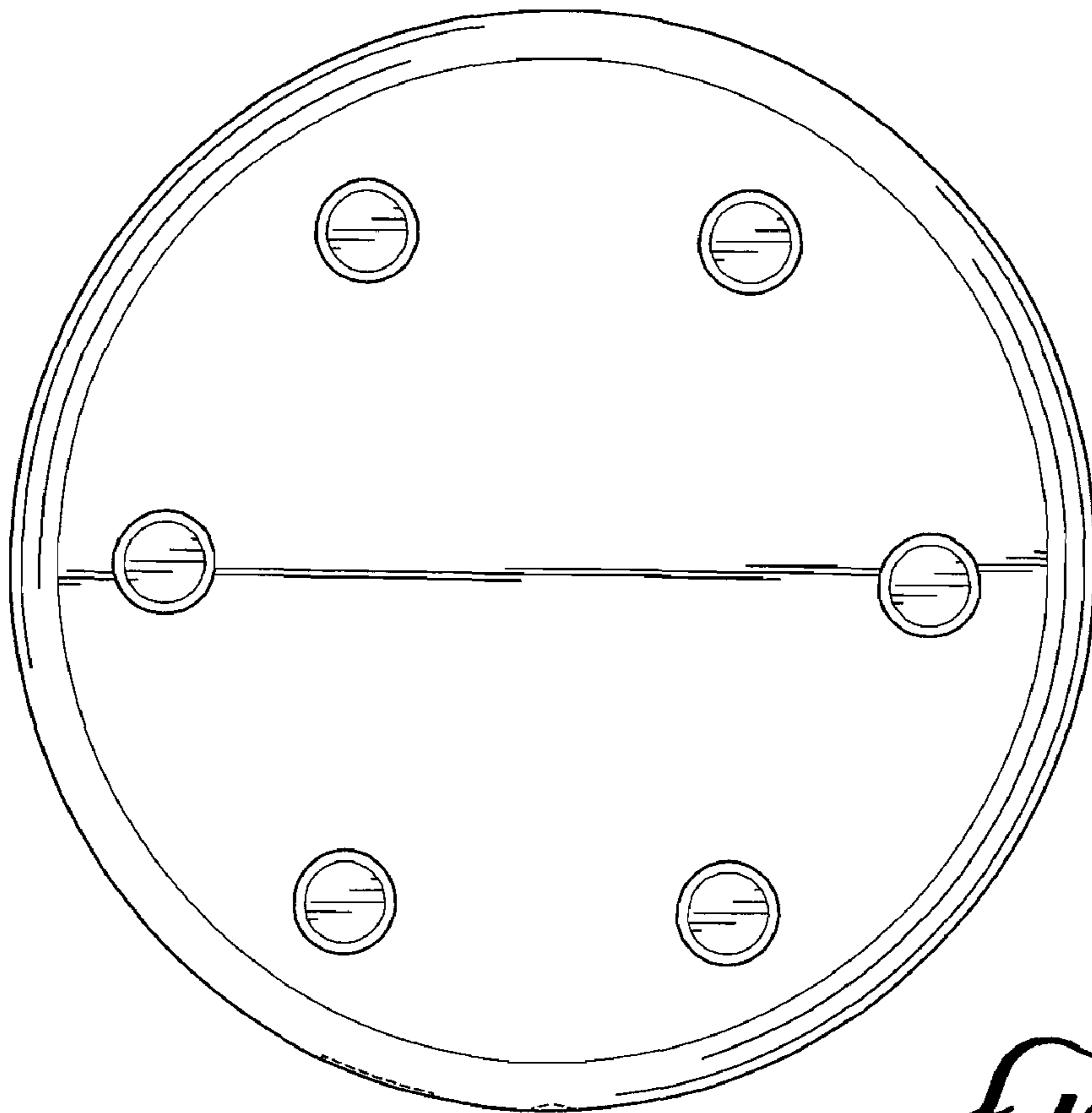
*FIG. 4*



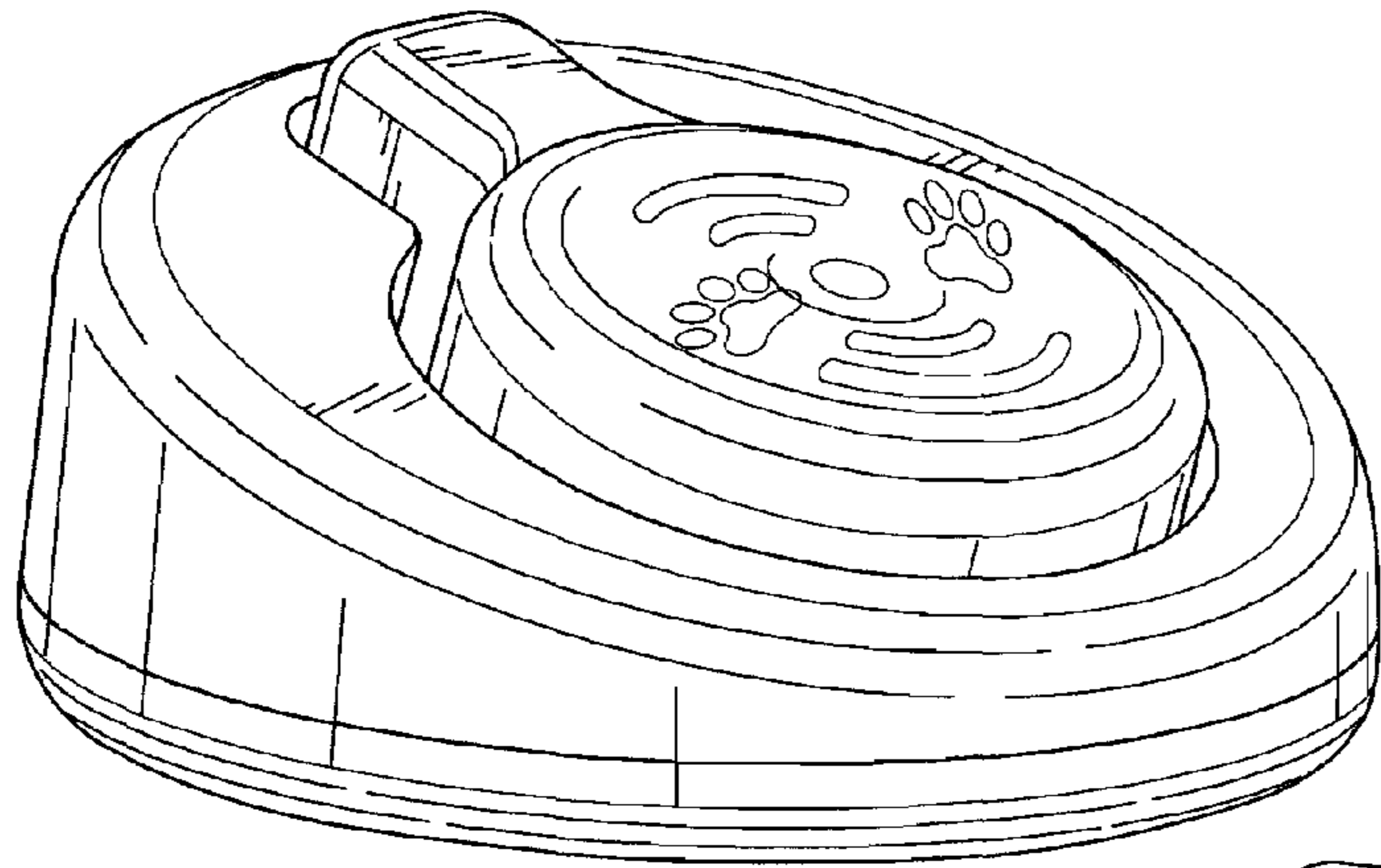
*FIG. 5*



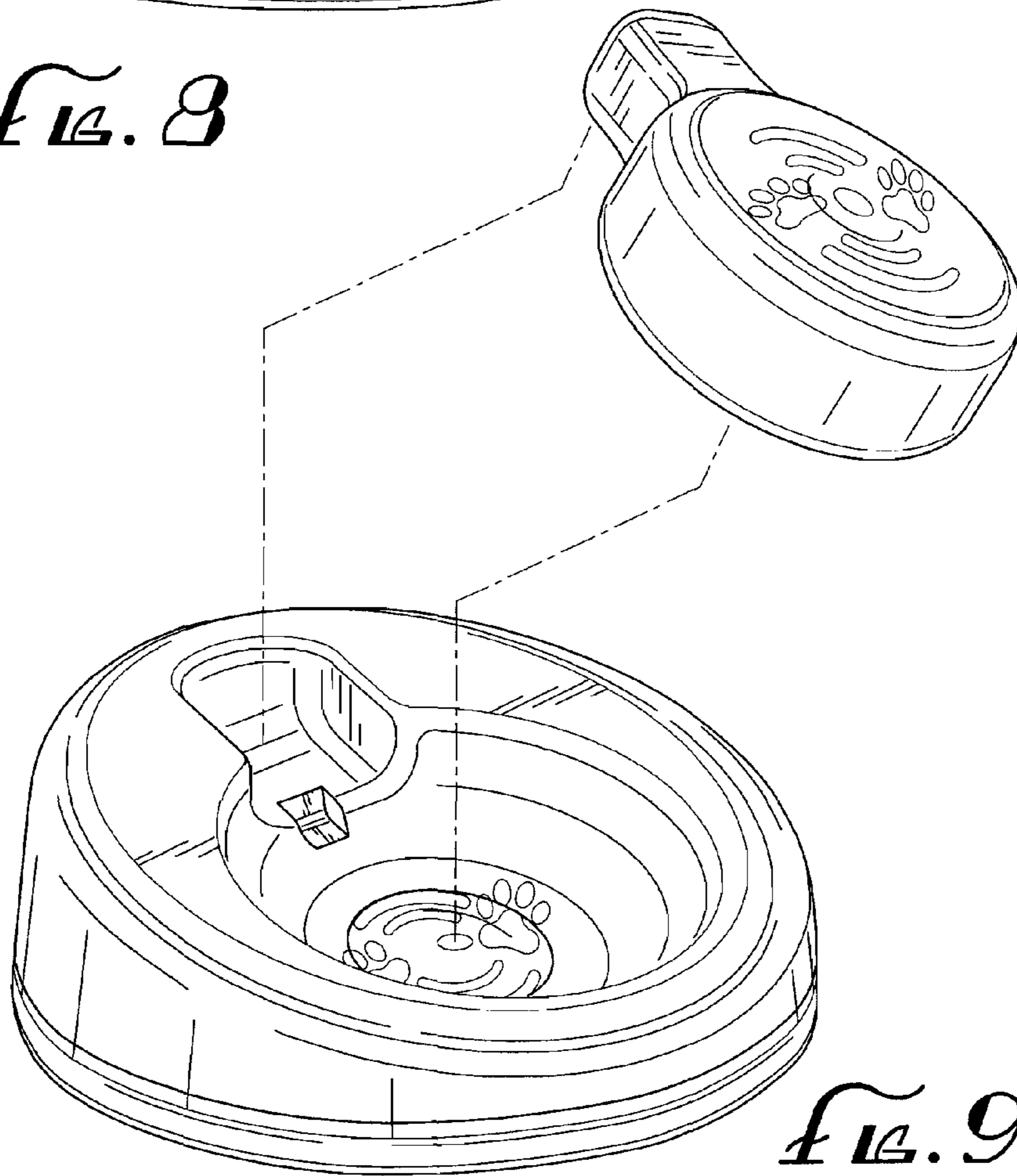
*FIG. 6*



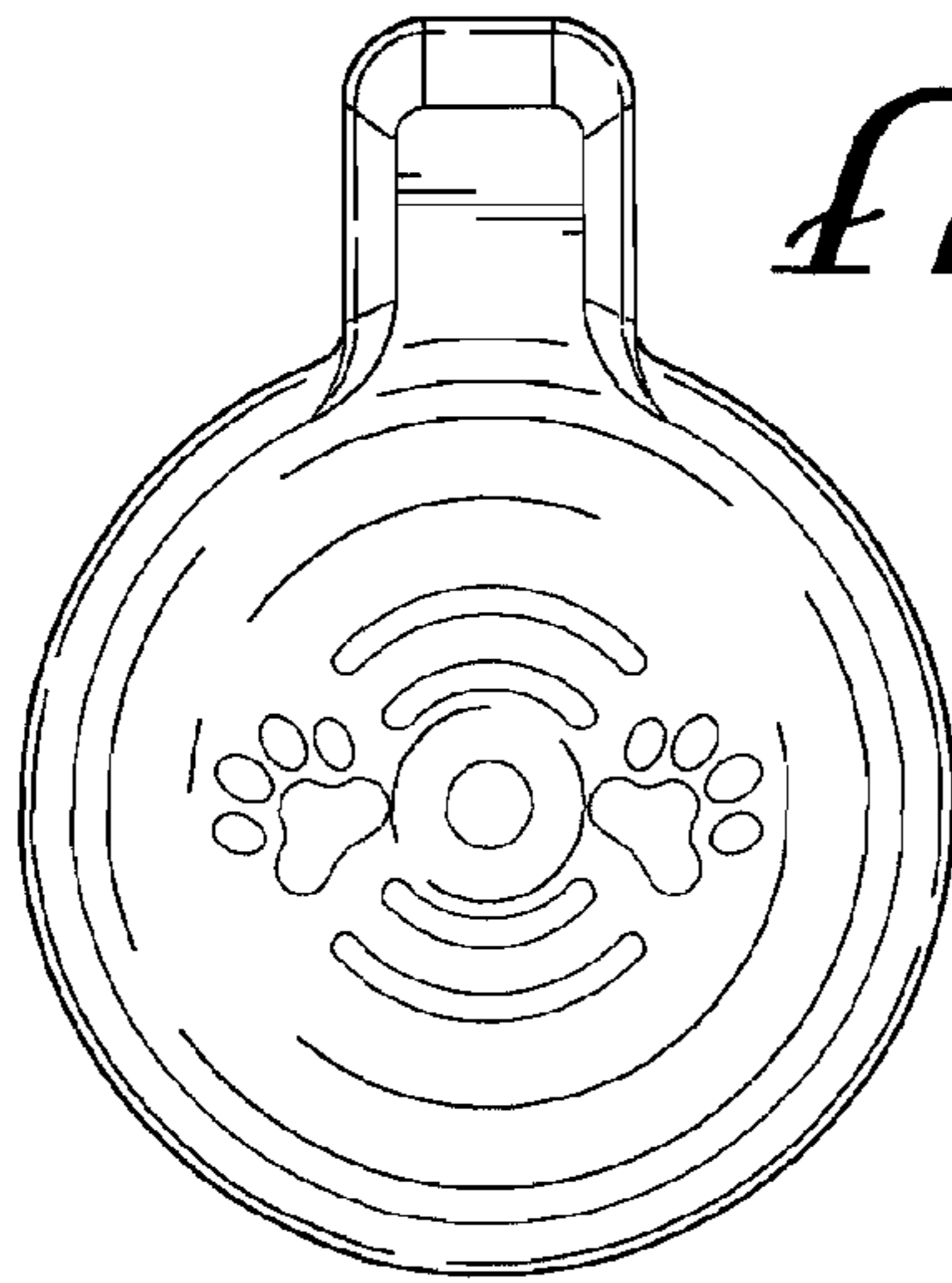
*FIG. 7*



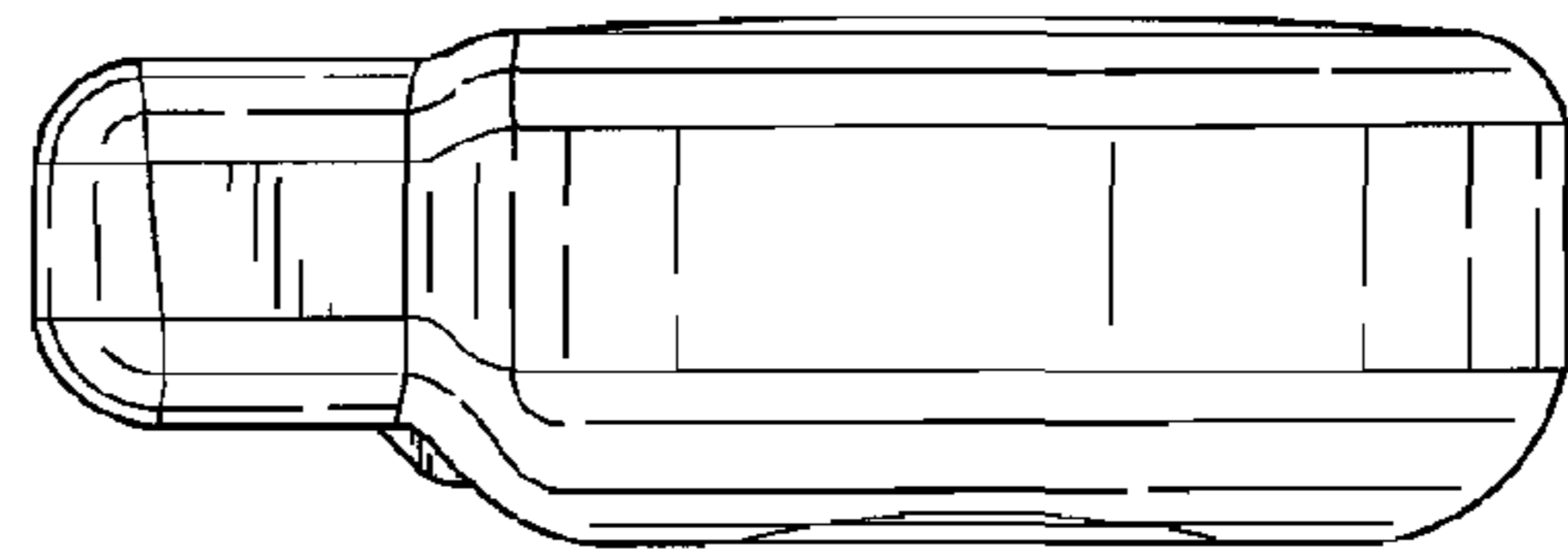
*FIG. 8*



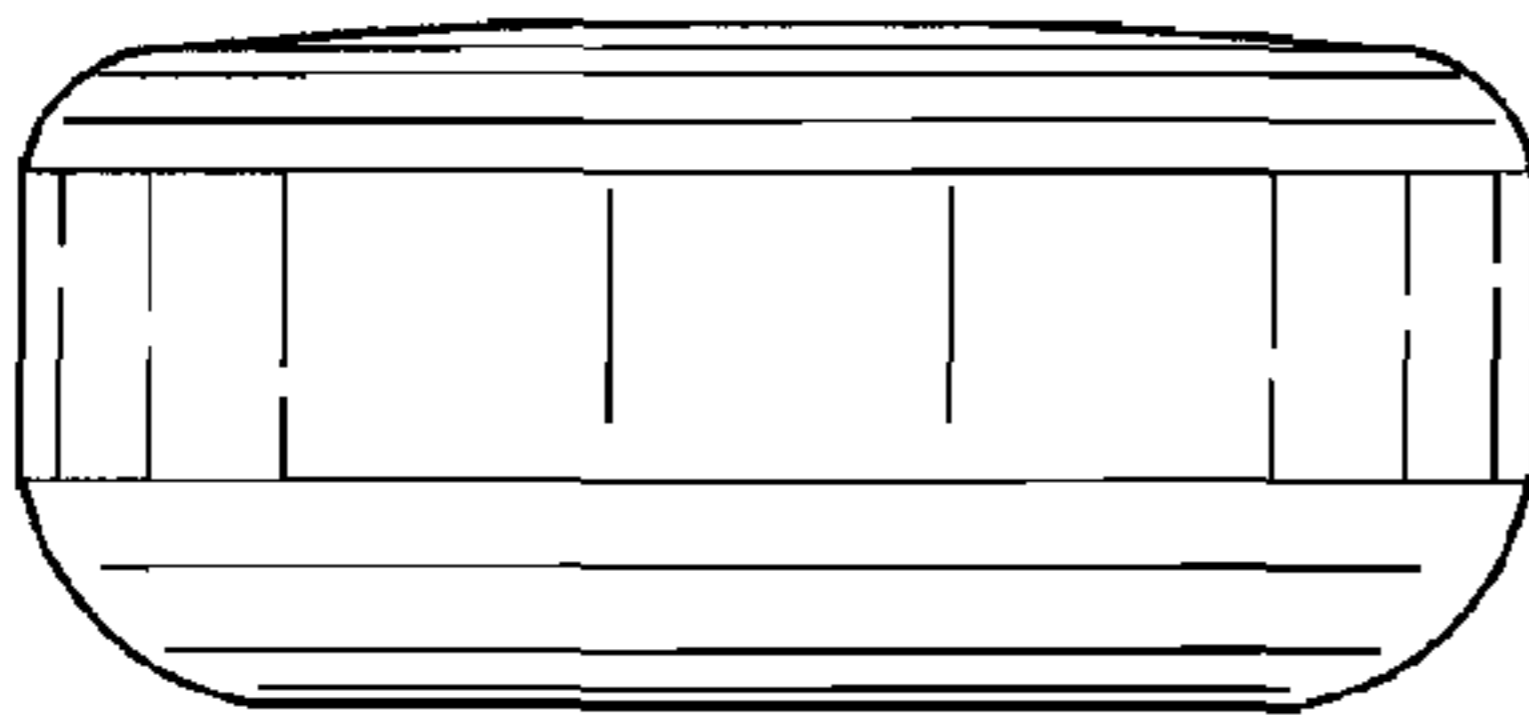
*FIG. 9*



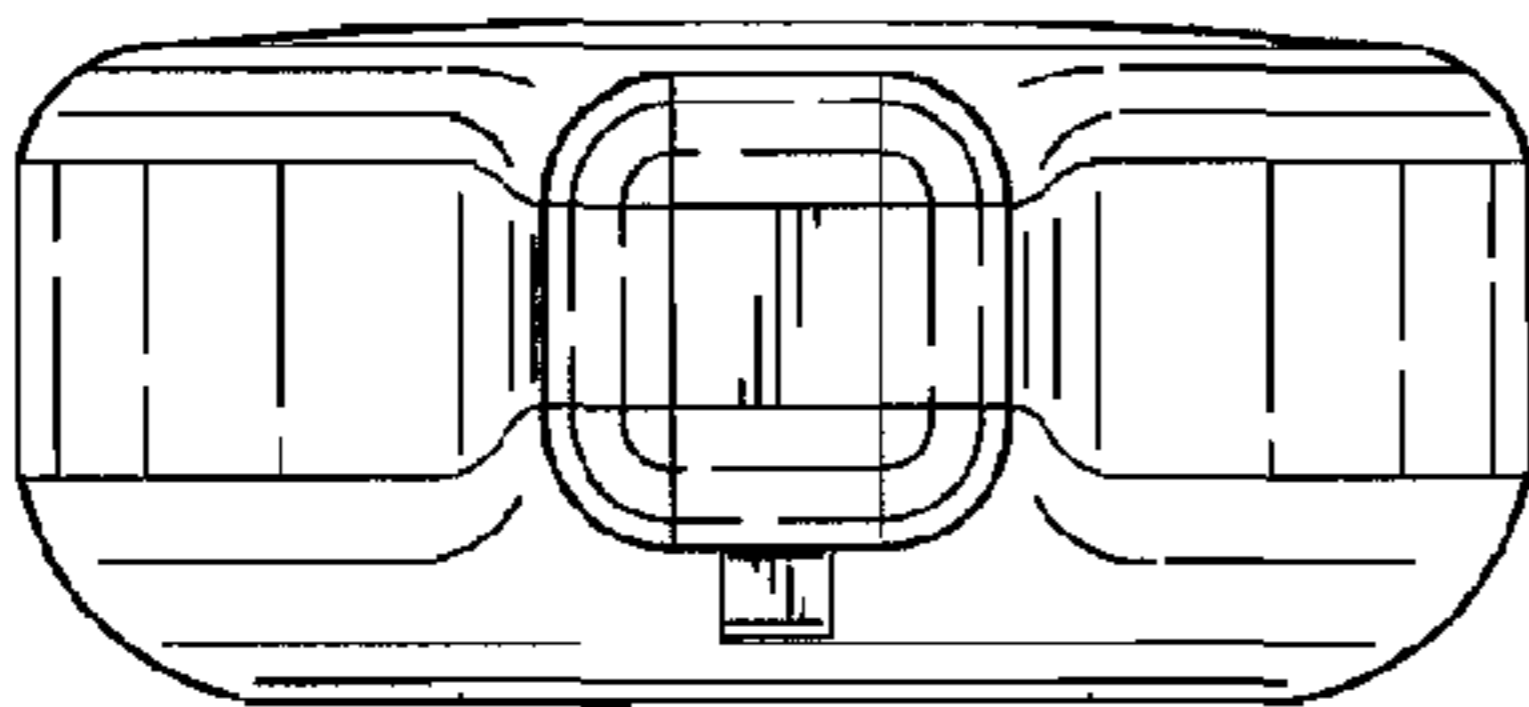
*FIG. 10*



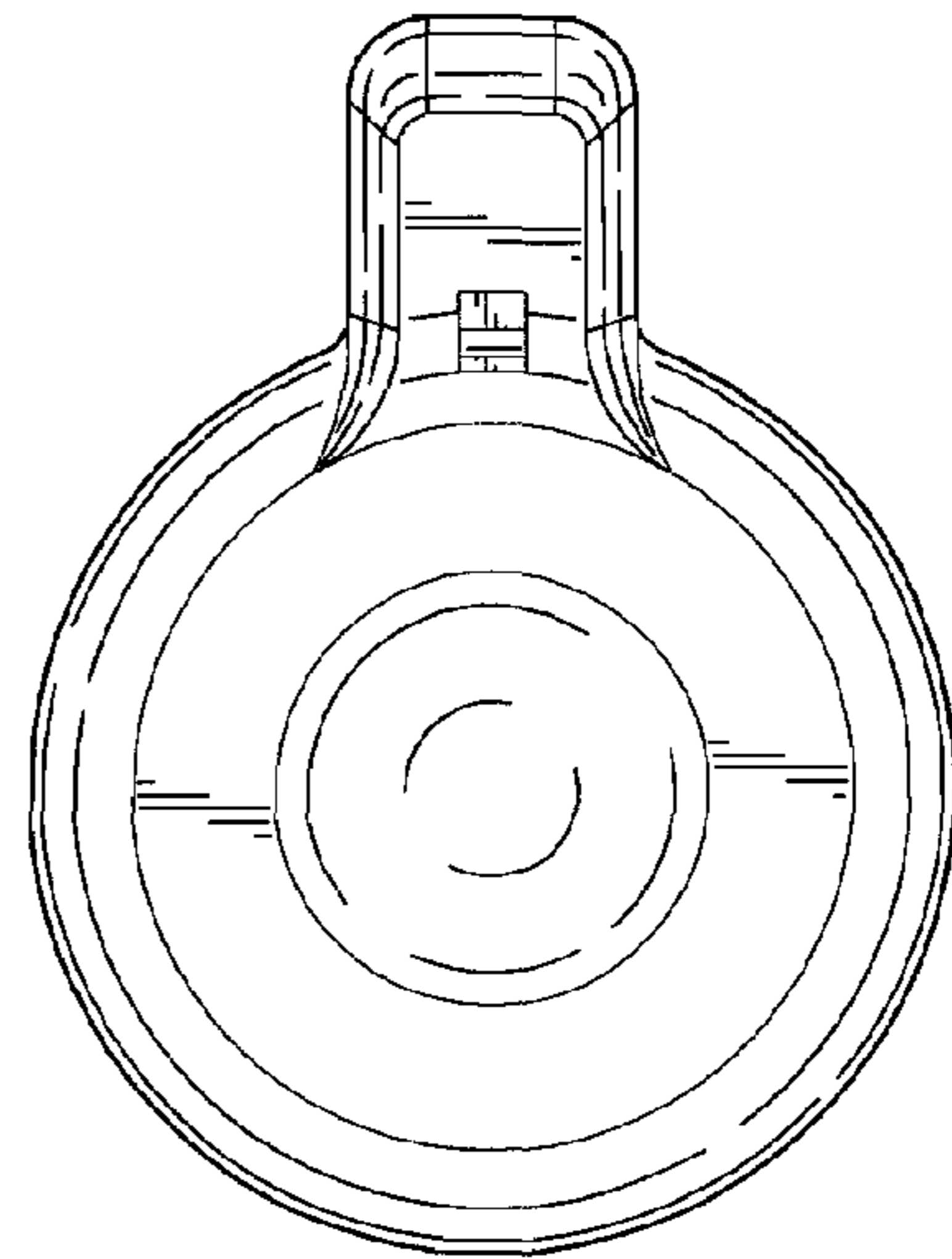
*FIG. 12*



*FIG. 11*



*FIG. 13*



*FIG. 14*