



US00D619903S

(12) **United States Design Patent**
Kool

(10) **Patent No.:** **US D619,903 S**
(45) **Date of Patent:** **** Jul. 20, 2010**

(54) **GIFT BAG**

(76) **Inventor:** **Lee-Roy Kool**, D. Boutsstraat 20, Ede
(NL) 6717 PC

(**) **Term:** **14 Years**

(21) **Appl. No.:** **29/345,029**

(22) **Filed:** **Oct. 8, 2009**

(51) **LOC (9) Cl.** **09-01**

(52) **U.S. Cl.** **D9/663; D9/703**

(58) **Field of Classification Search** D9/600,
D9/655-664, 702-706, 432-433; 206/457,
206/527; 229/87.04, 116.1, 116.5, 117.07;
383/104, 120

See application file for complete search history.

(56) **References Cited**

U.S. PATENT DOCUMENTS

1,073,117	A *	9/1913	Hart	229/117.07
D98,665	S *	2/1936	Elmer	D9/663
D108,605	S *	2/1938	Nagle	D9/433
D195,430	S *	6/1963	Mapes	D9/600
3,376,994	A *	4/1968	Flinn, Jr.	229/117.07
D227,233	S *	6/1973	Manuel	D9/663
D244,511	S *	5/1977	Frisbey	D9/432

6,065,873	A *	5/2000	Fowler	383/104
6,071,011	A *	6/2000	Thomas et al.	383/104
6,890,102	B2 *	5/2005	Clark	383/104

* cited by examiner

Primary Examiner—Sandra Morris

(74) *Attorney, Agent, or Firm*—Hoffberg & Associates

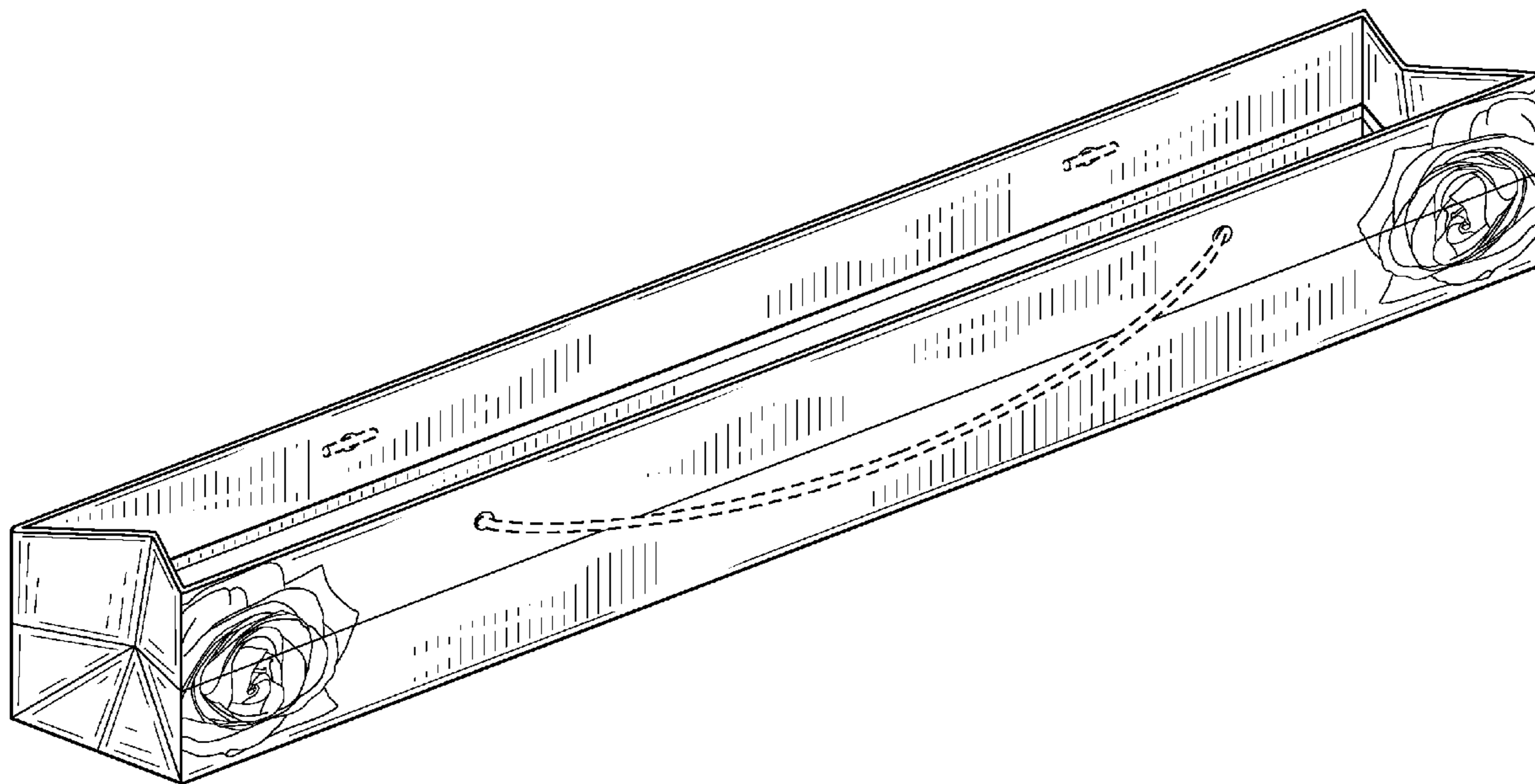
(57) **CLAIM**

The ornamental design for gift bag, as shown and described.

DESCRIPTION

FIG. 1 is a left front perspective view of a gift bag;
 FIG. 2 is a front perspective of a first embodiment thereof;
 FIG. 3 is side elevation view thereof;
 FIG. 4 is a top view thereof;
 FIG. 5 is a bottom view thereof;
 FIG. 6 is a bottom view of a folded configuration thereof;
 FIG. 7 is a top view of a folded configuration of a first embodiment thereof; and,
 FIG. 8 is a side elevation of a folded configuration thereof.
 The broken line showing of the handle is for illustrative purposes only, and forms no part of the claimed design.

1 Claim, 8 Drawing Sheets



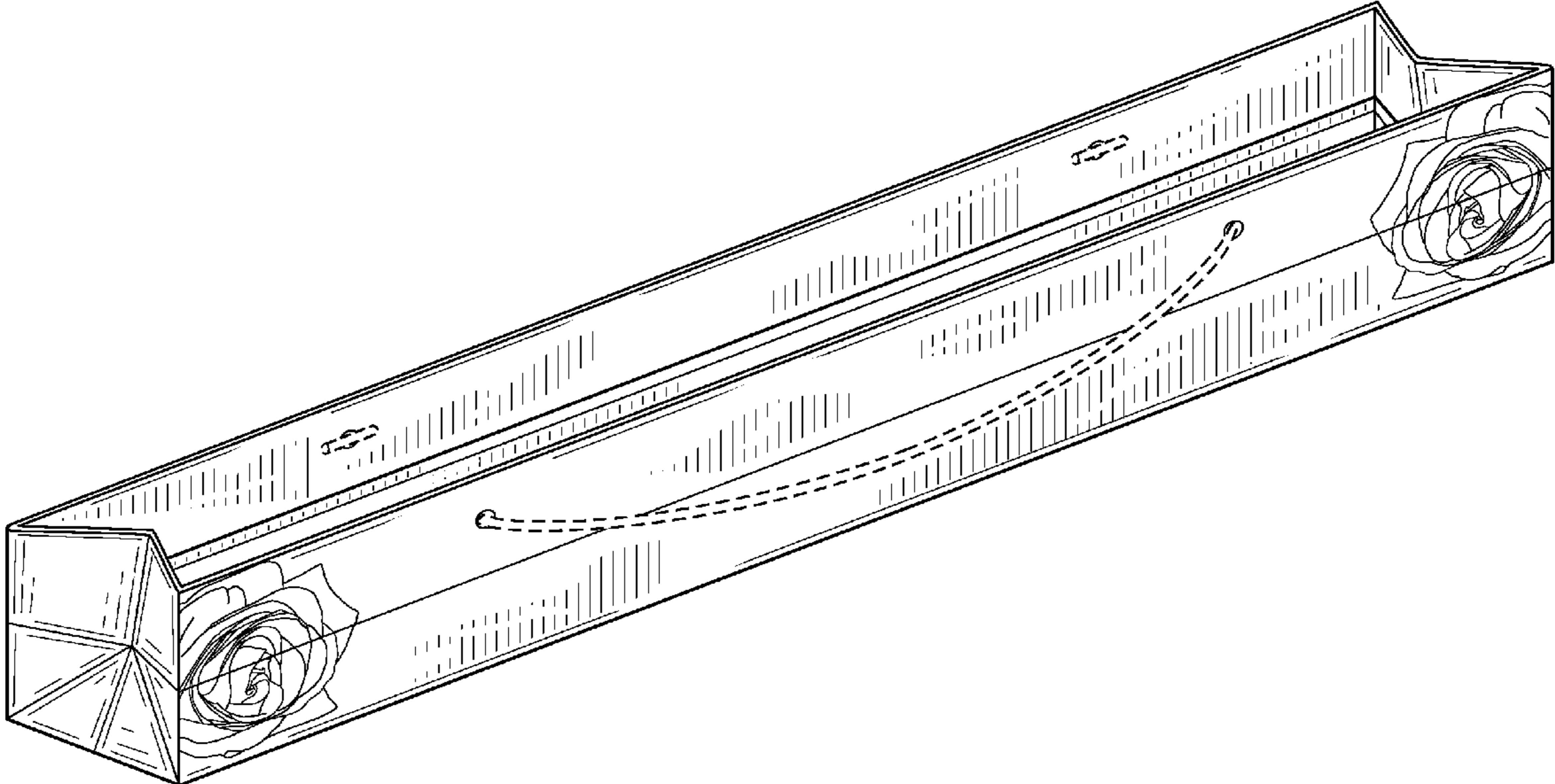


FIG. 1

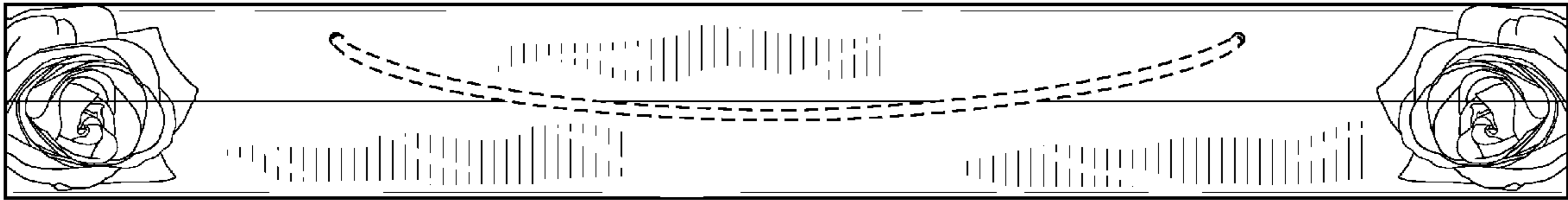


FIG. 2

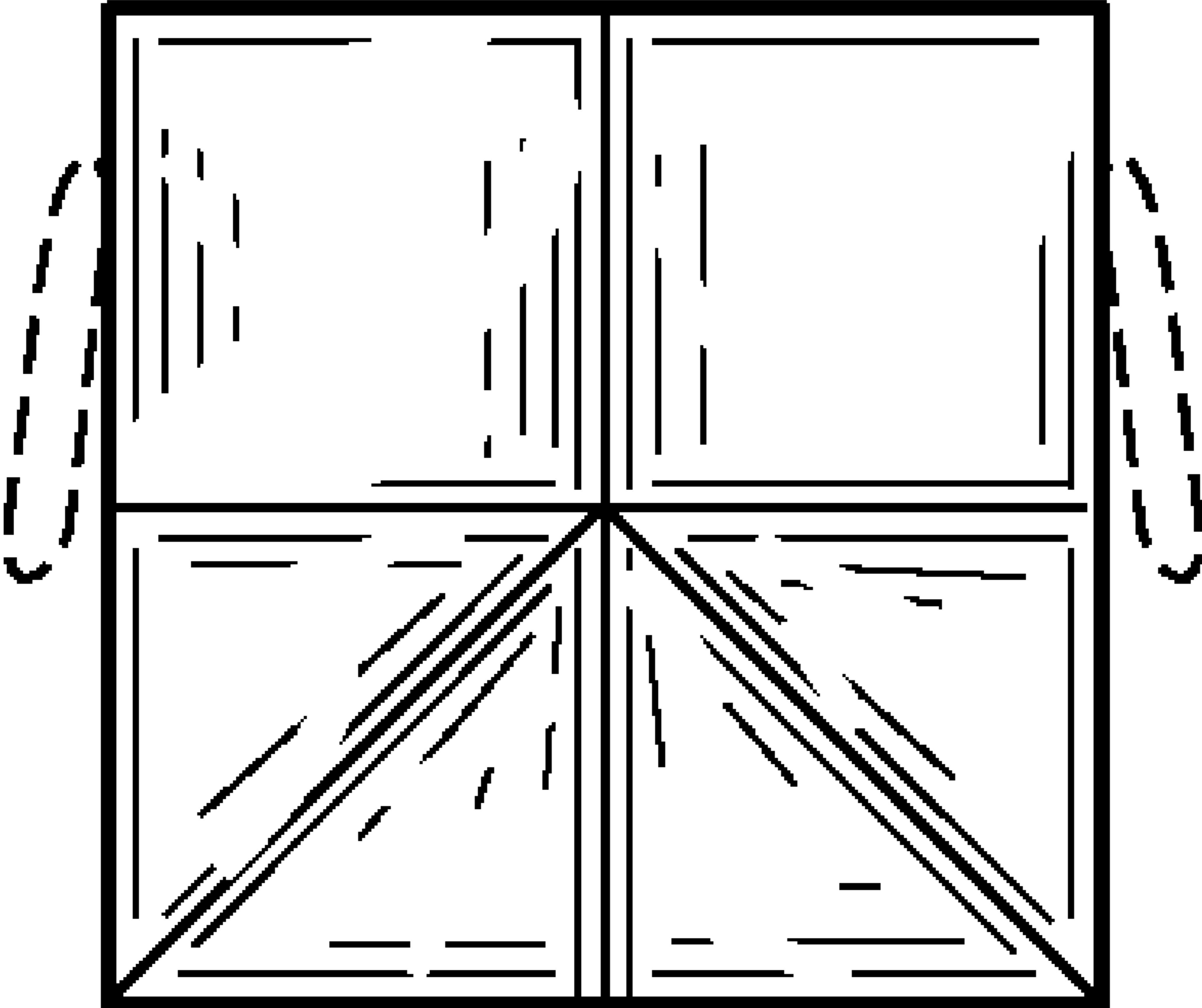


FIG. 3

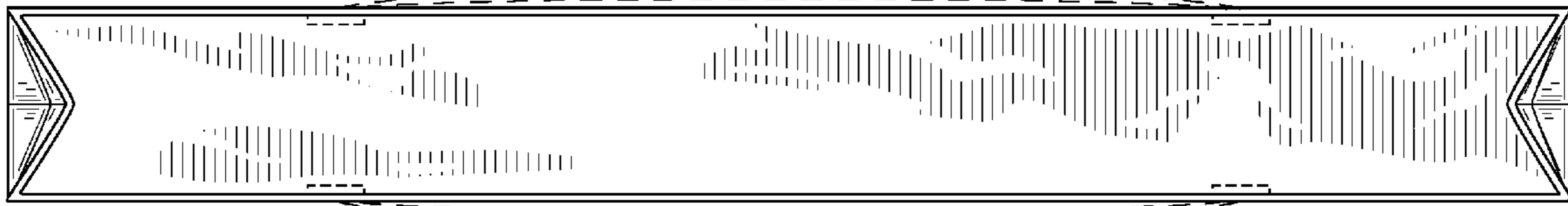


FIG. 4

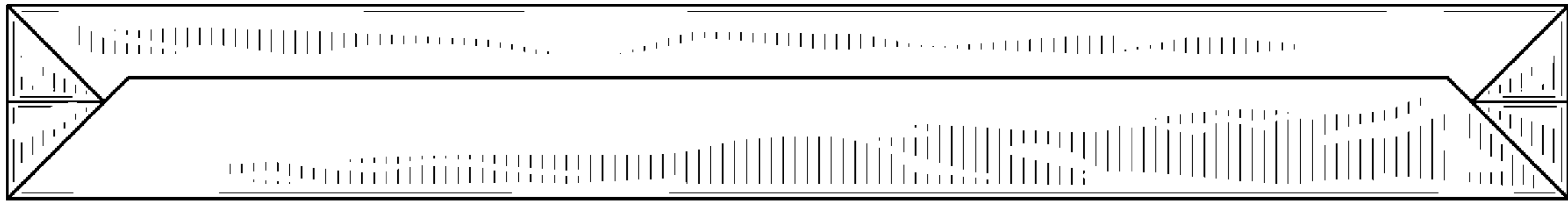


FIG. 5



FIG. 6

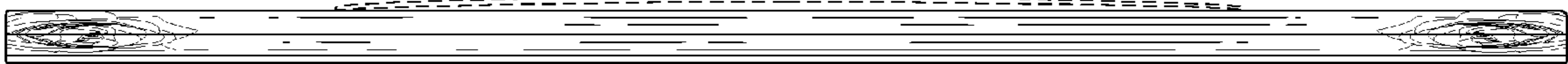


FIG. 7



FIG. 8