



US00D619901S

(12) **United States Design Patent**
Wolf

(10) **Patent No.:** **US D619,901 S**
(45) **Date of Patent:** **** Jul. 20, 2010**

(54) **CONFECTION CONTAINER**

(75) Inventor: **Kenneth J. Wolf**, Denver, CO (US)

(73) Assignee: **Amusemints, LLC**, Denver, CO (US)

(**) Term: **14 Years**

(21) Appl. No.: **29/338,604**

(22) Filed: **Jun. 15, 2009**

(51) **LOC (9) Cl.** **09-01**

(52) **U.S. Cl.** **D9/631; D3/246**

(58) **Field of Classification Search** D3/270-271.1,
D3/271.4, 242, 246; D7/613, 619.2, 623,
D7/625, 628; D9/600, 631; 206/457, 458,
206/527; 215/400; 220/890

See application file for complete search history.

(56) **References Cited**

U.S. PATENT DOCUMENTS

D413,796 S * 9/1999 Mansau D9/631

D416,677 S * 11/1999 Christman D3/246
D422,411 S * 4/2000 Martin D3/246
D517,420 S * 3/2006 Scheider D9/631
D537,357 S * 2/2007 Holt D9/631

* cited by examiner

Primary Examiner—Sandra Morris

(74) *Attorney, Agent, or Firm*—Eric T. Krischke, Esq.;
Armstrong Teasdale LLP

(57) **CLAIM**

The ornamental design for a confection container, as shown and described.

DESCRIPTION

FIG. 1 is a front perspective view of a confection container showing my new design;

FIG. 2 is a front perspective view of the confection container in a partially open configuration; and,

FIG. 3 is a side view thereof.

1 Claim, 3 Drawing Sheets

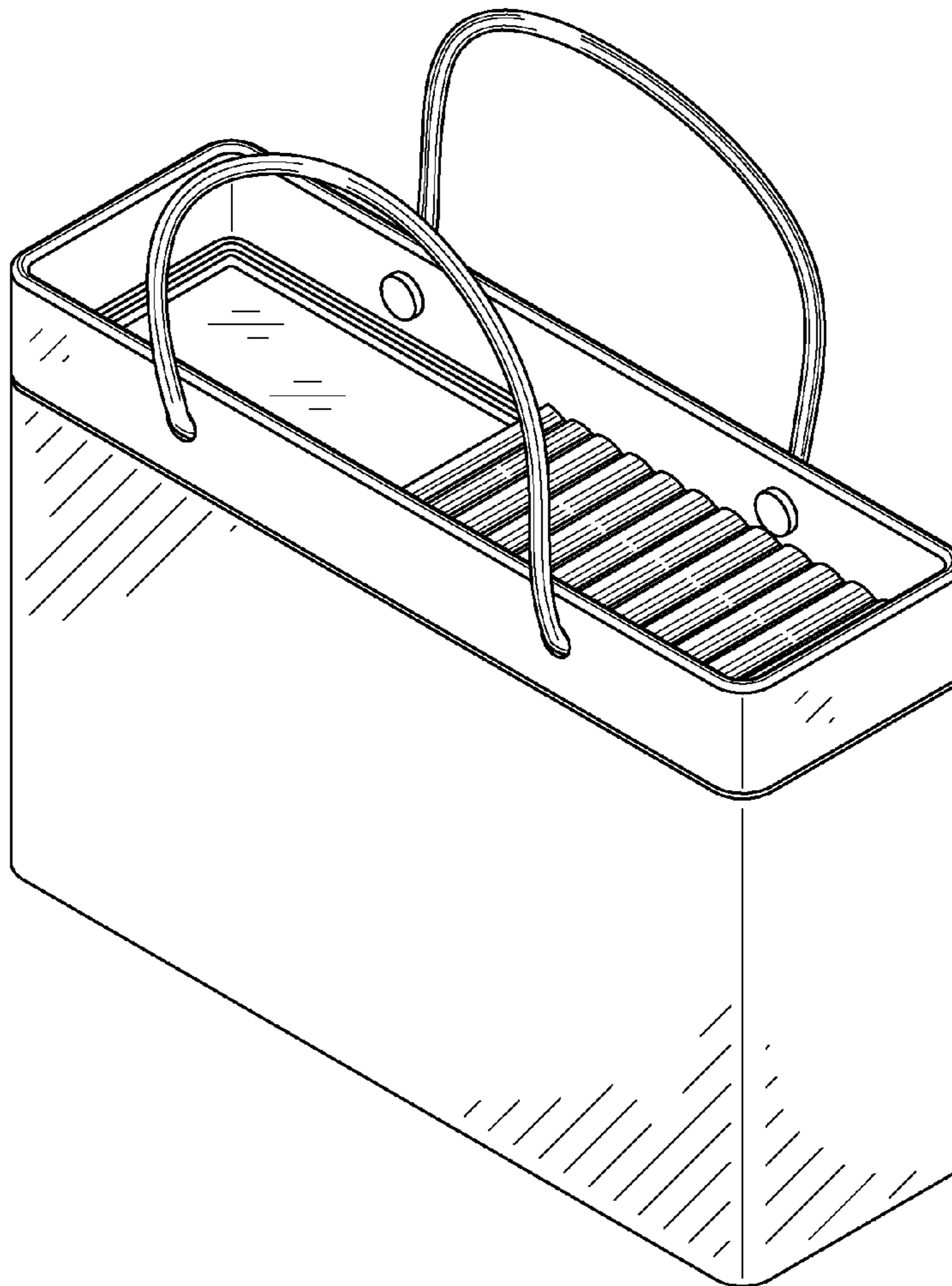


FIG. 1

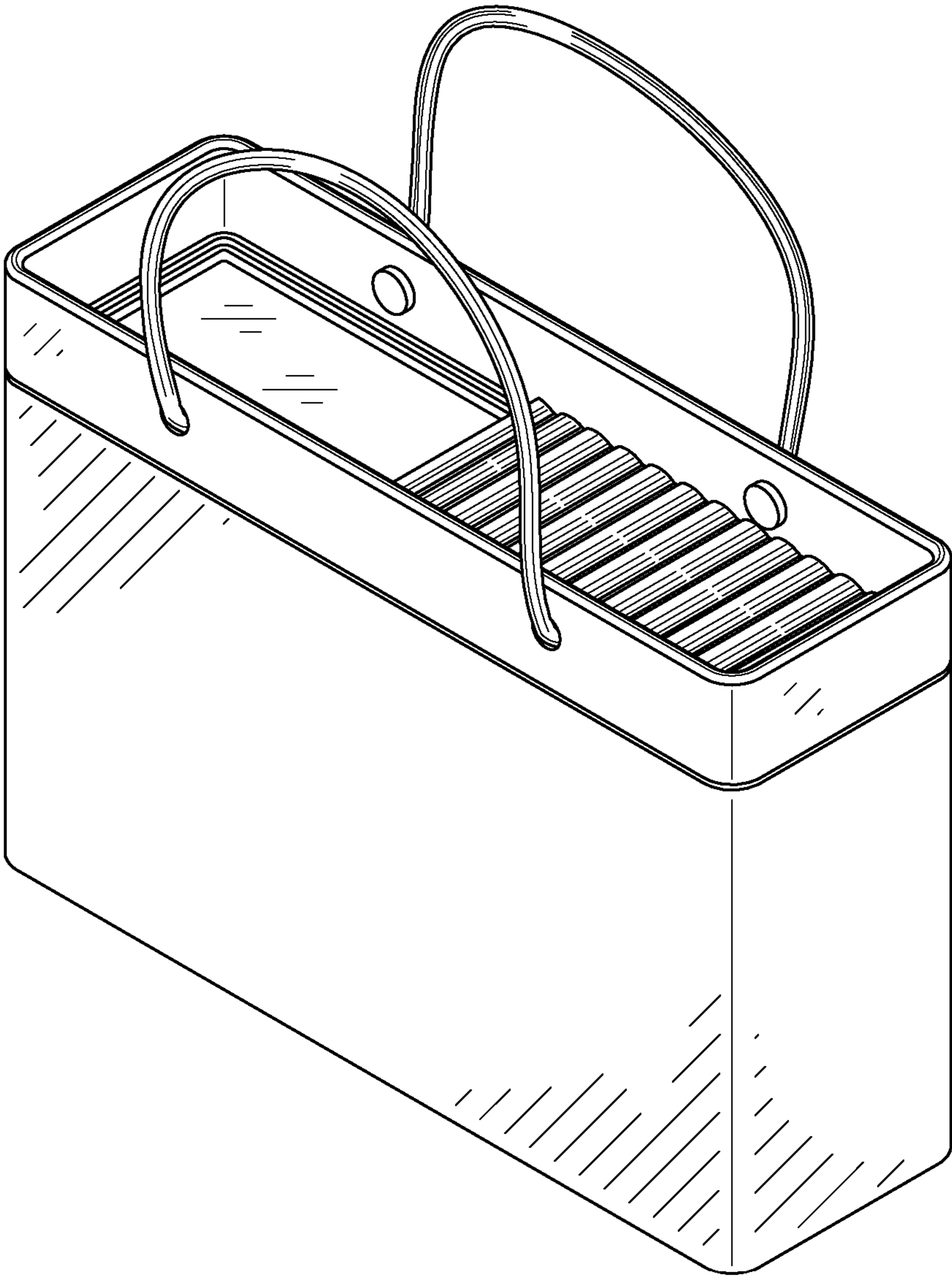


FIG. 2

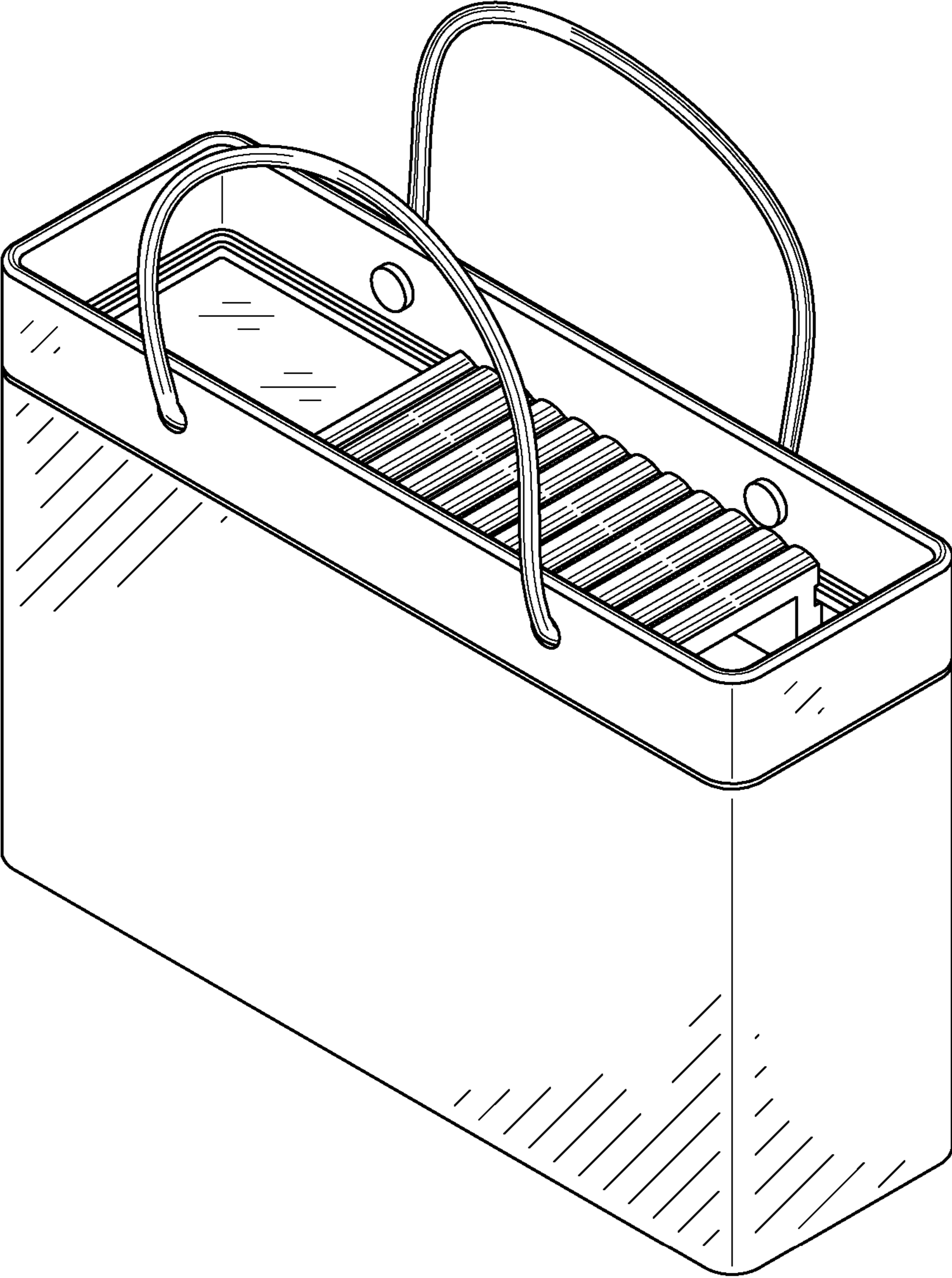


FIG. 3

