



US00D619896S

(12) **United States Design Patent**  
**Iwazu et al.**

(10) **Patent No.:** **US D619,896 S**  
(45) **Date of Patent:** **\*\* \*Jul. 20, 2010**

(54) **COSMETIC CONTAINER**

(75) Inventors: **Tomotaka Iwazu**, Kobe (JP); **Akiko Ashiwa**, Singapore (SG); **Ian Andrew Carnduff**, New York, NY (US); **Akina Kurihara**, Brooklyn, NY (US)

(73) Assignee: **The Procter & Gamble Company**, Cincinnati, OH (US)

(\*\*) Term: **14 Years**

(21) Appl. No.: **29/341,757**

(22) Filed: **Aug. 12, 2009**

(51) **LOC (9) Cl.** ..... **09-01**

(52) **U.S. Cl.** ..... **D9/504; D9/454**

(58) **Field of Classification Search** ..... D9/500,  
D9/502-505, 529, 535, 537, 539-540, 549,  
D9/558, 443, 682, 686, 688-692; 215/379,  
215/381-383; 220/660, 669-673, 675; D28/4,  
D28/76, 78

See application file for complete search history.

(56) **References Cited**

**U.S. PATENT DOCUMENTS**

D324,997 S \* 3/1992 Jones ..... D9/529  
D370,416 S \* 6/1996 Hirato ..... D9/549  
D376,952 S \* 12/1996 Rausch ..... D7/392.1  
D415,031 S \* 10/1999 Mahlmann ..... D9/520  
D480,000 S \* 9/2003 Hirato ..... D9/504  
D529,397 S 10/2006 Lavigne et al.

D540,170 S \* 4/2007 Canamasas Puigbo ..... D9/504  
D555,000 S \* 11/2007 Bunce et al. .... D9/529  
D579,776 S \* 11/2008 Hirato et al. .... D9/504  
D592,511 S \* 5/2009 Damkjaer ..... D9/503

\* cited by examiner

*Primary Examiner*—Ian Simmons

*Assistant Examiner*—Dana L Sipos

(74) *Attorney, Agent, or Firm*—Megan C. Hymore; Jim C. Vago; Carl J. Roof

(57) **CLAIM**

The ornamental design for cosmetic container, as shown and described.

**DESCRIPTION**

FIG. 1 is a perspective view of cosmetic container, embodying our new design;

FIG. 2 is a front view thereof;

FIG. 3 is a back view thereof;

FIG. 4 is a right side view thereof;

FIG. 5 is a left side view thereof;

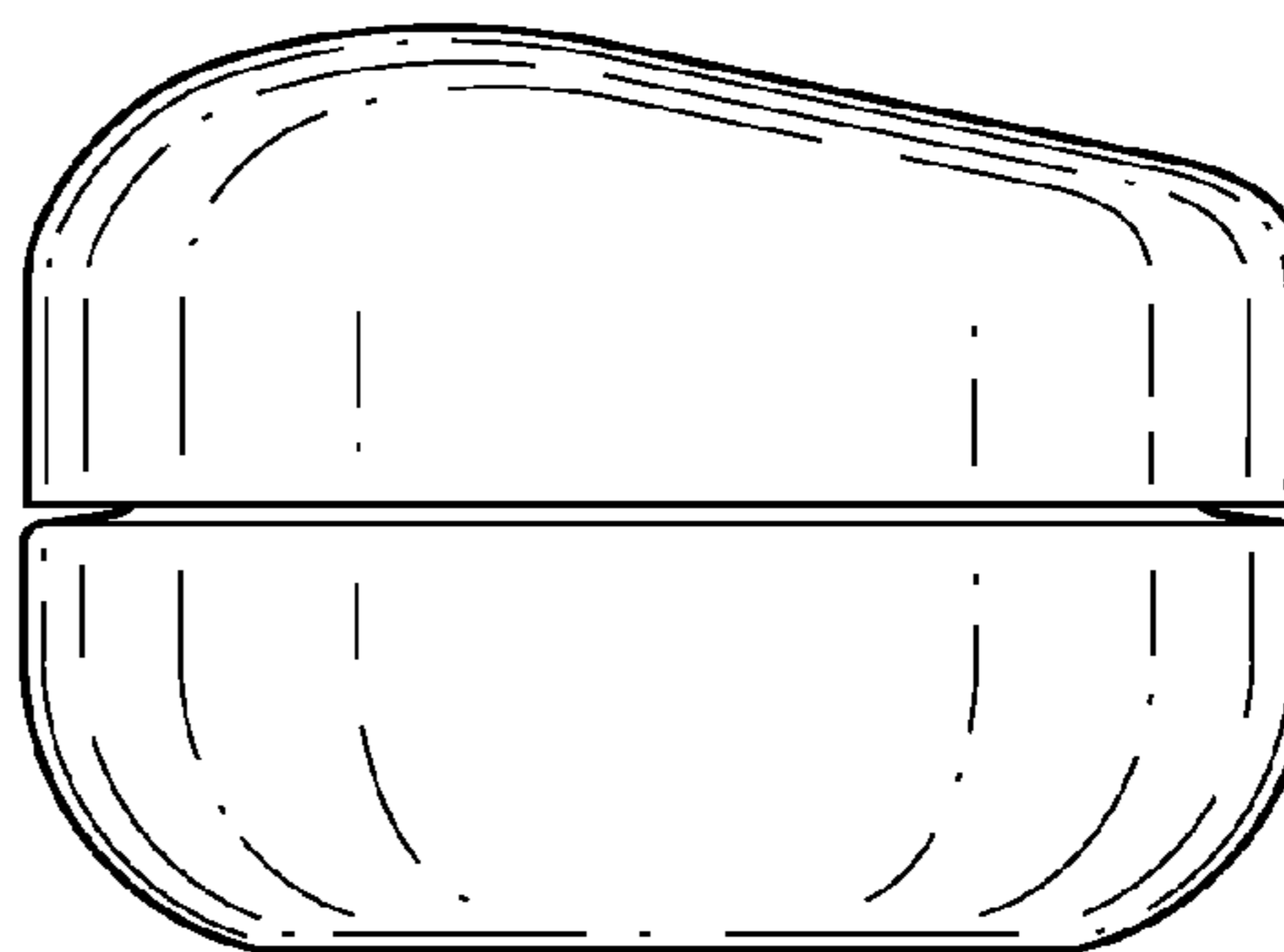
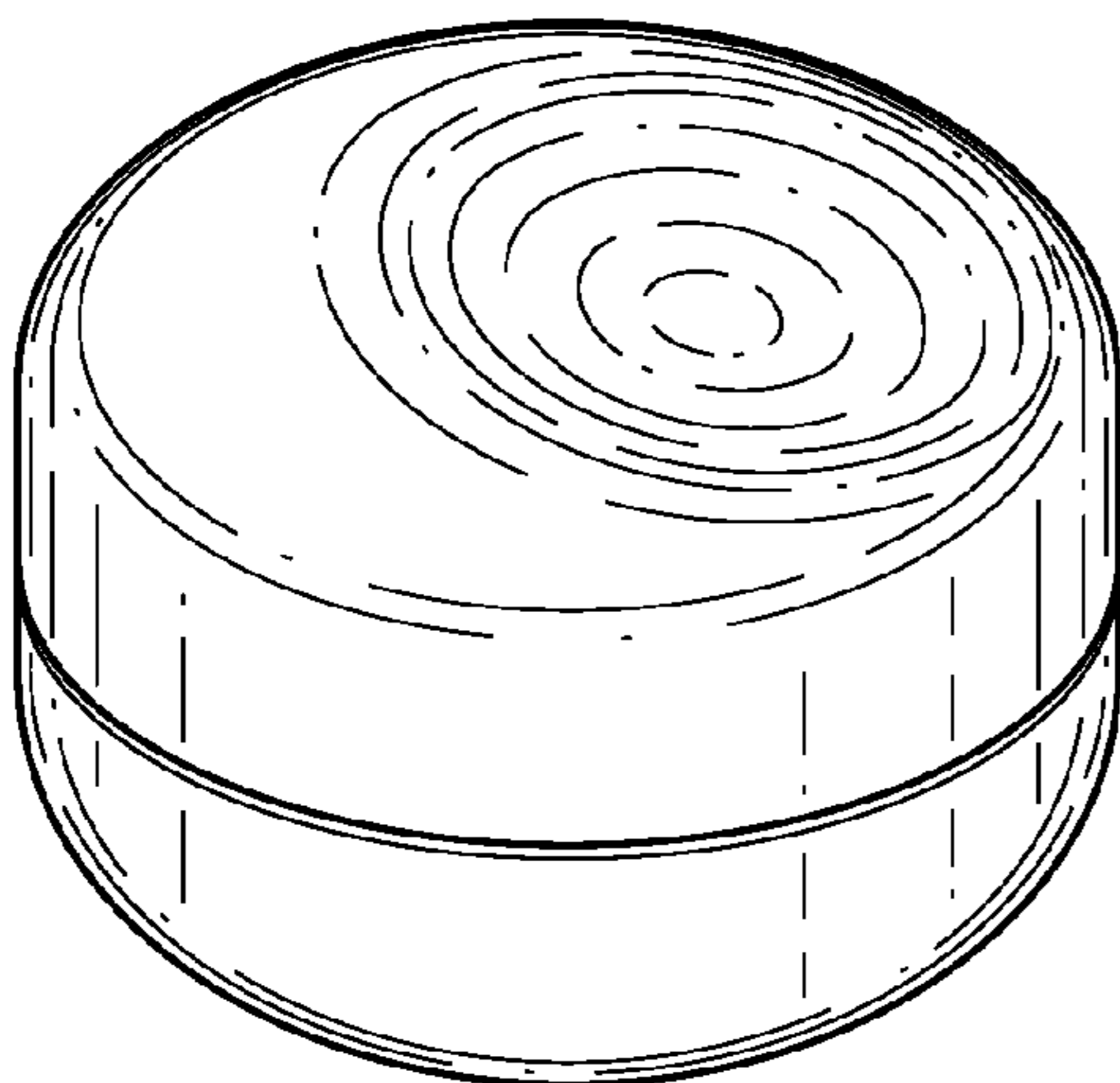
FIG. 6 is a top plan view thereof;

FIG. 7 is a bottom view thereof; and,

FIG. 8 is a cross section view taken along the line 8—8 in FIG. 4.

The broken lines shown in the drawings are for illustrative purposes only and form no part of the claimed design.

**1 Claim, 5 Drawing Sheets**



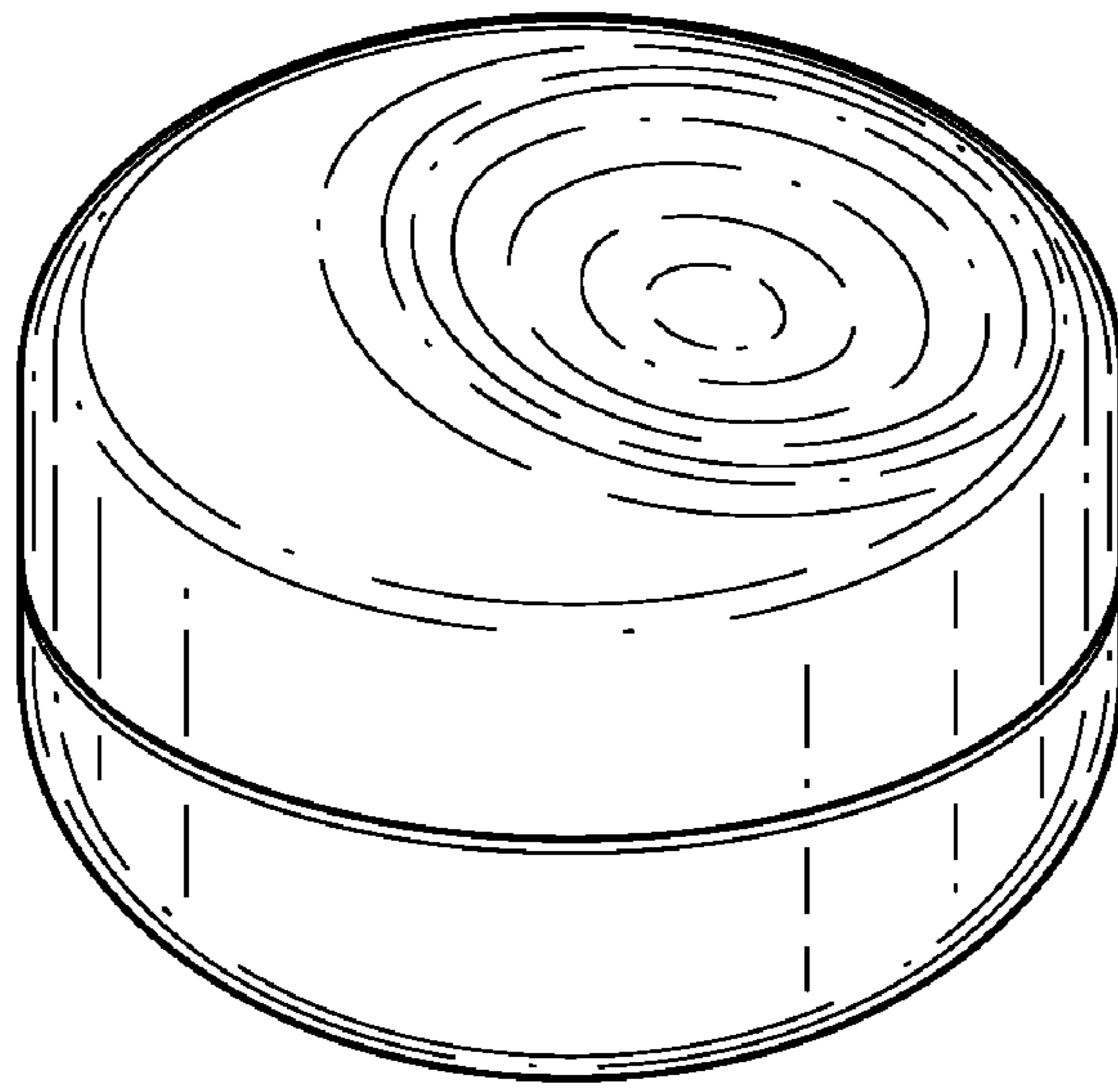


Fig. 1

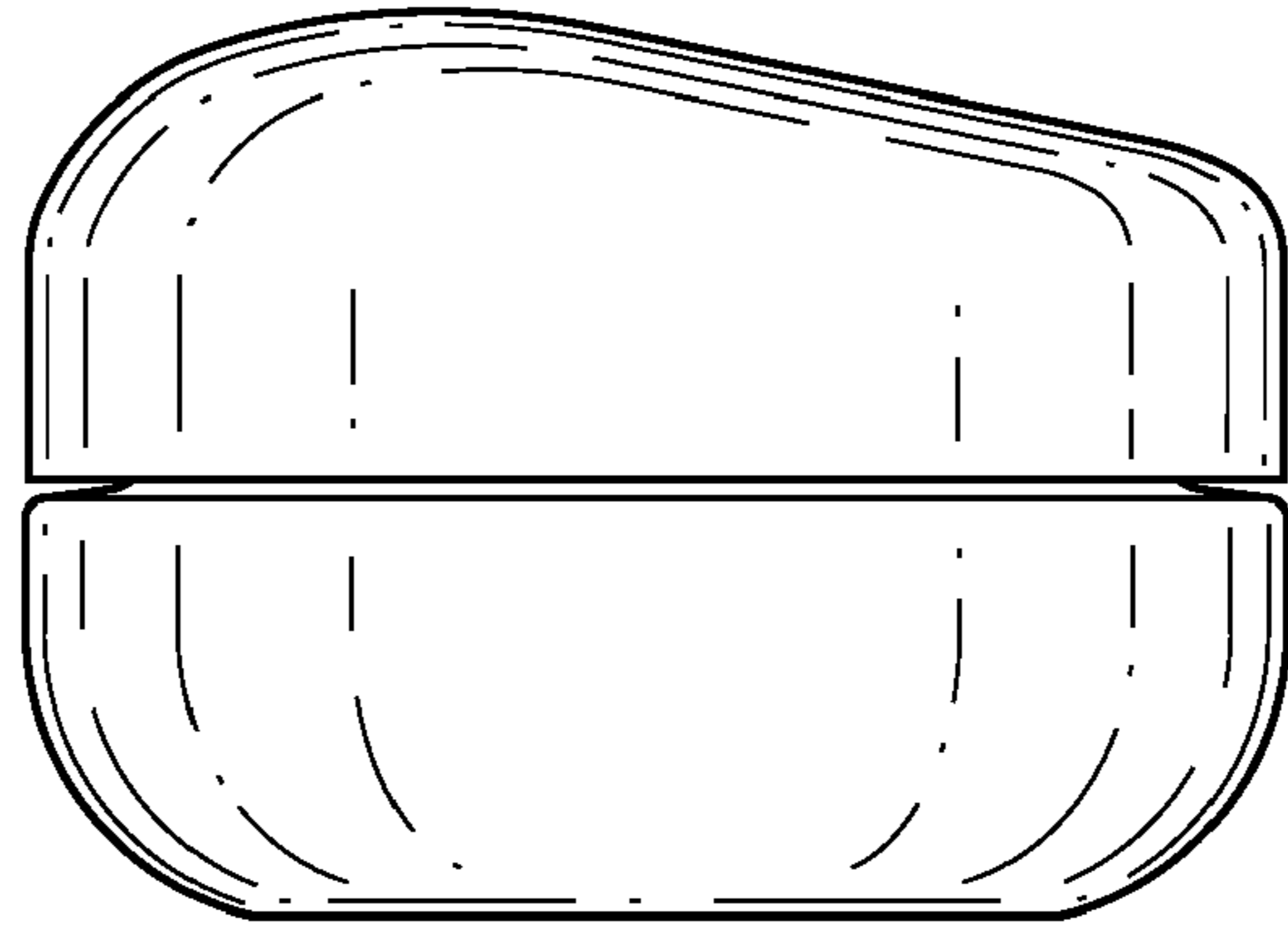


Fig. 2

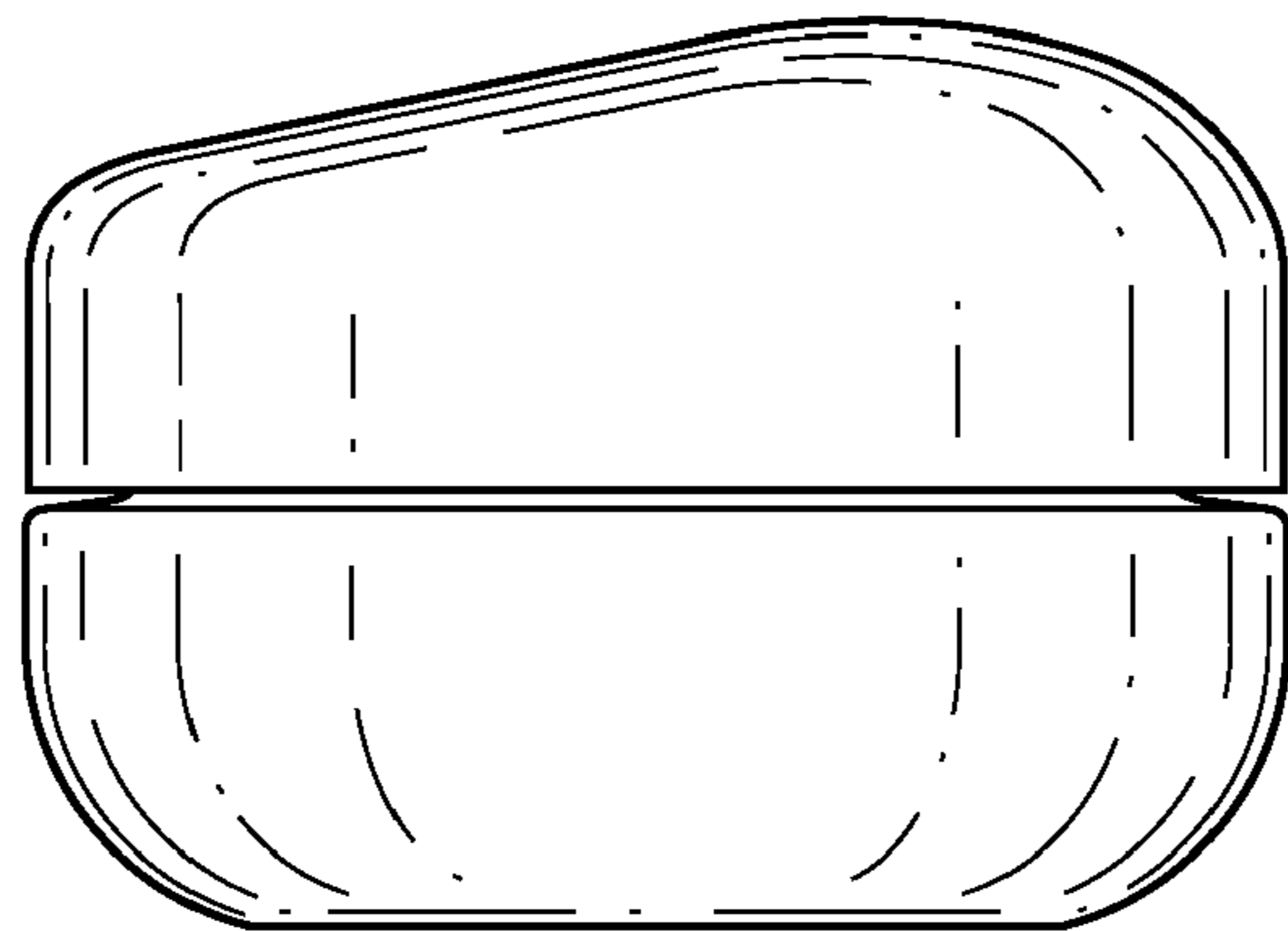


Fig. 3

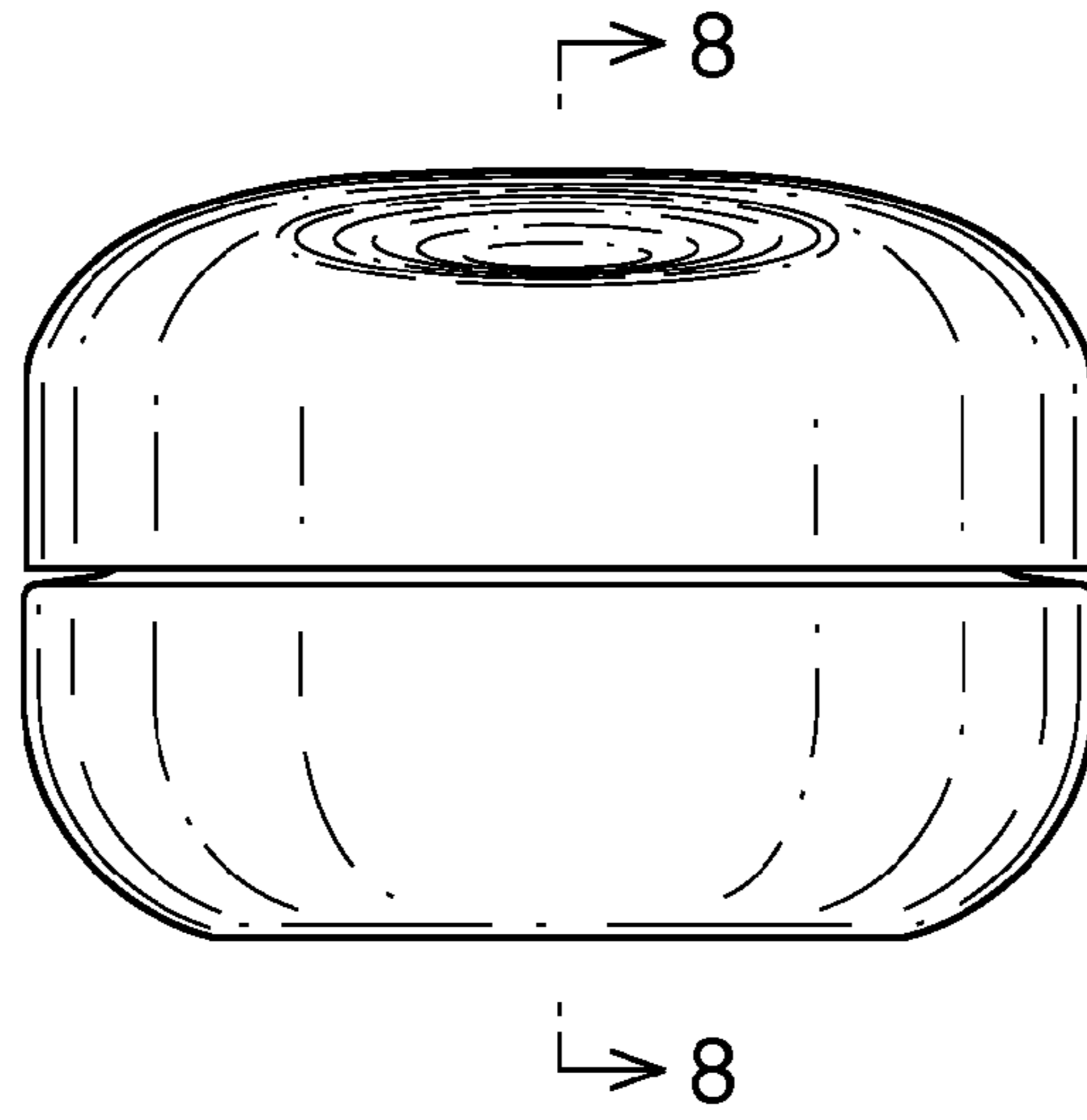


Fig. 4

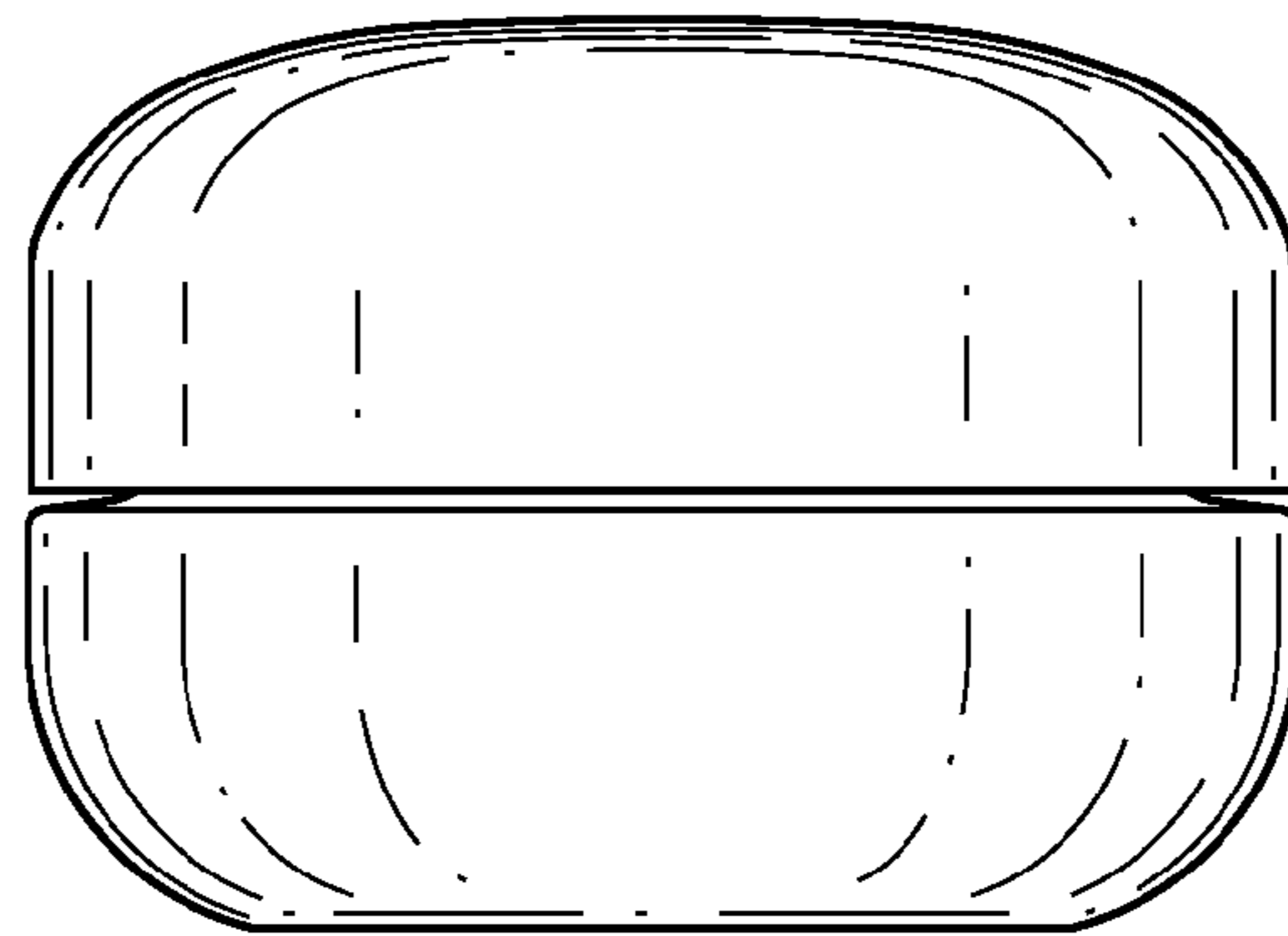


Fig. 5

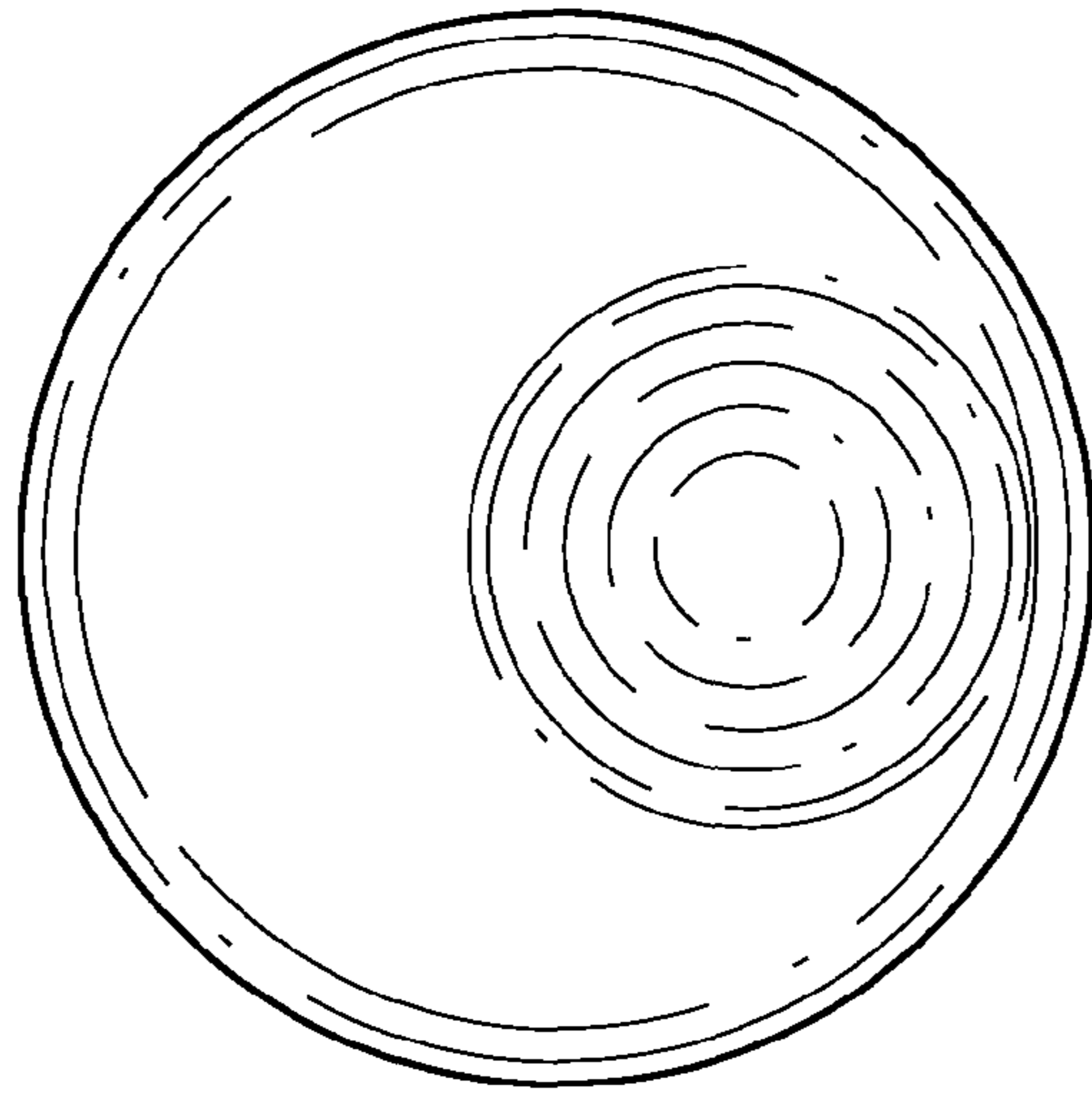


Fig. 6

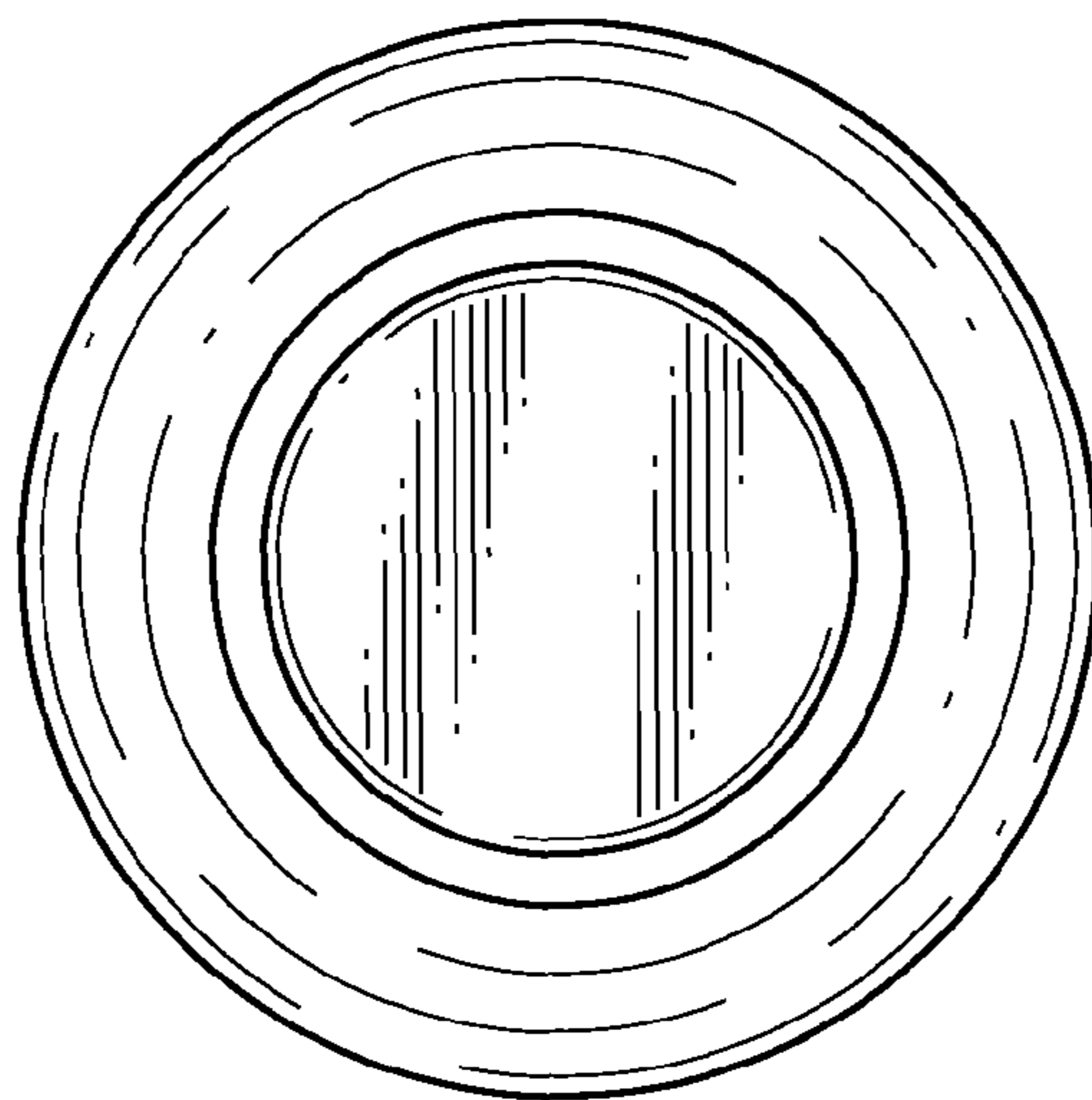


Fig. 7

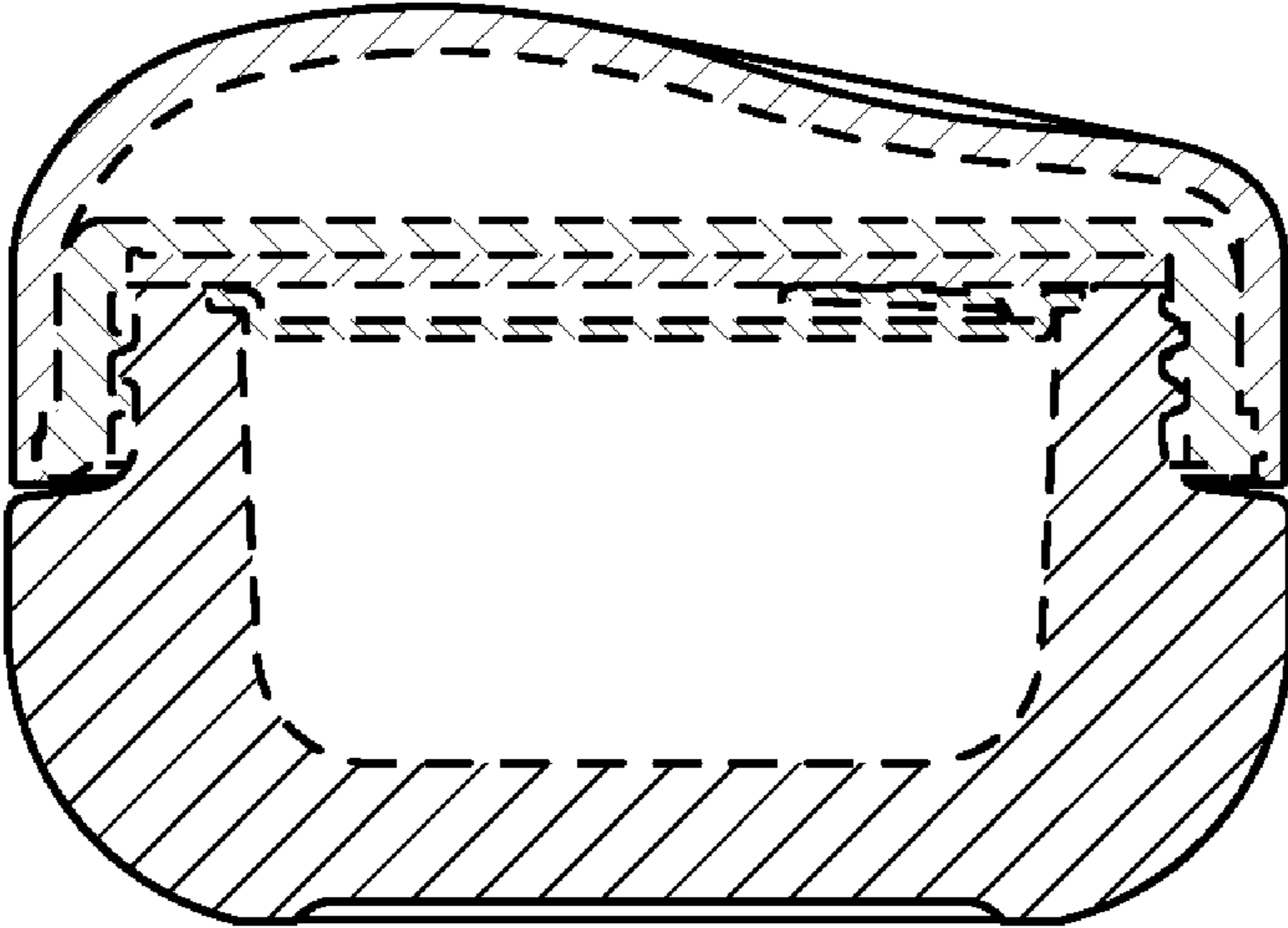


Fig. 8