



US00D619894S

(12) **United States Design Patent**
Ashiwa et al.

(10) **Patent No.:** **US D619,894 S**
(45) **Date of Patent:** **** Jul. 20, 2010**

(54) **BOTTLE**

(75) Inventors: **Akiko Ashiwa**, Kobe (JP); **Davide Sergio Nicosia**, New York, NY (US); **Ian Andrew Carnduff**, New York, NY (US)

(73) Assignee: **The Procter & Gamble Company**, Cincinnati, OH (US)

(**) Term: **14 Years**

(21) Appl. No.: **29/308,654**

(22) Filed: **Jun. 27, 2008**

(51) **LOC (9) Cl.** **09-01**

(52) **U.S. Cl.** **D9/504**

(58) **Field of Classification Search** D9/500,
D9/502-505, 516, 545, 549, 558, 682, 686,
D9/688-692, 900; D24/115, 133, 216, 222,
D24/224; 215/379, 381-382; 220/660, 662,
220/669-673, 675

See application file for complete search history.

(56) **References Cited**

U.S. PATENT DOCUMENTS

D87,975 S *	10/1932	Nester	D24/115
D112,545 S *	12/1938	Younghusband	D9/504
D197,308 S *	1/1964	Stargee	D9/502
5,464,048 A *	11/1995	Allen	141/24
D507,188 S *	7/2005	Chen	D9/686

D538,163 S *	3/2007	de Mourgues	D9/505
D544,351 S *	6/2007	Dittmer et al.	D9/504
D544,352 S *	6/2007	Dittmer et al.	D9/504
D545,678 S *	7/2007	Dittmer et al.	D9/504
D548,084 S *	8/2007	Dittmer et al.	D9/504

* cited by examiner

Primary Examiner—Ian Simmons

Assistant Examiner—Dana L Sipos

(74) *Attorney, Agent, or Firm*—Megan C. Hymore; Eric T. Addington; S. Robert Chuey

(57) **CLAIM**

The ornamental design for a bottle, as shown and described.

DESCRIPTION

FIG. 1 is a perspective view of a bottle, embodying our new design;

FIG. 2 is a front view thereof;

FIG. 3 is a top plan view thereof;

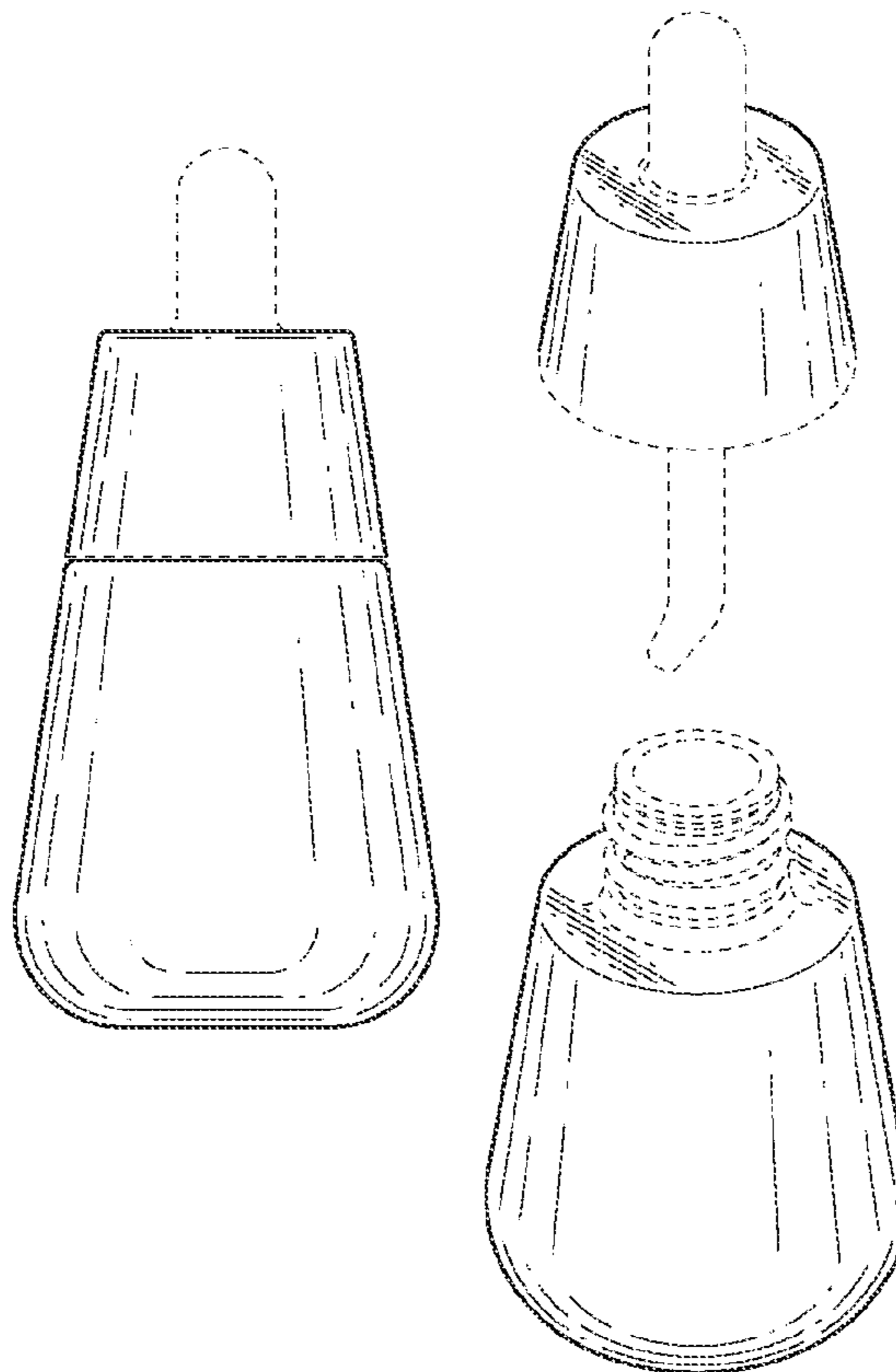
FIG. 4 is a bottom view thereof; and,

FIG. 5 is an exploded perspective view thereof.

The broken lines shown in the drawings are for illustrative purposes only and form no part of the claimed design.

Back view and side views are omitted because these are identical to a front view.

1 Claim, 3 Drawing Sheets



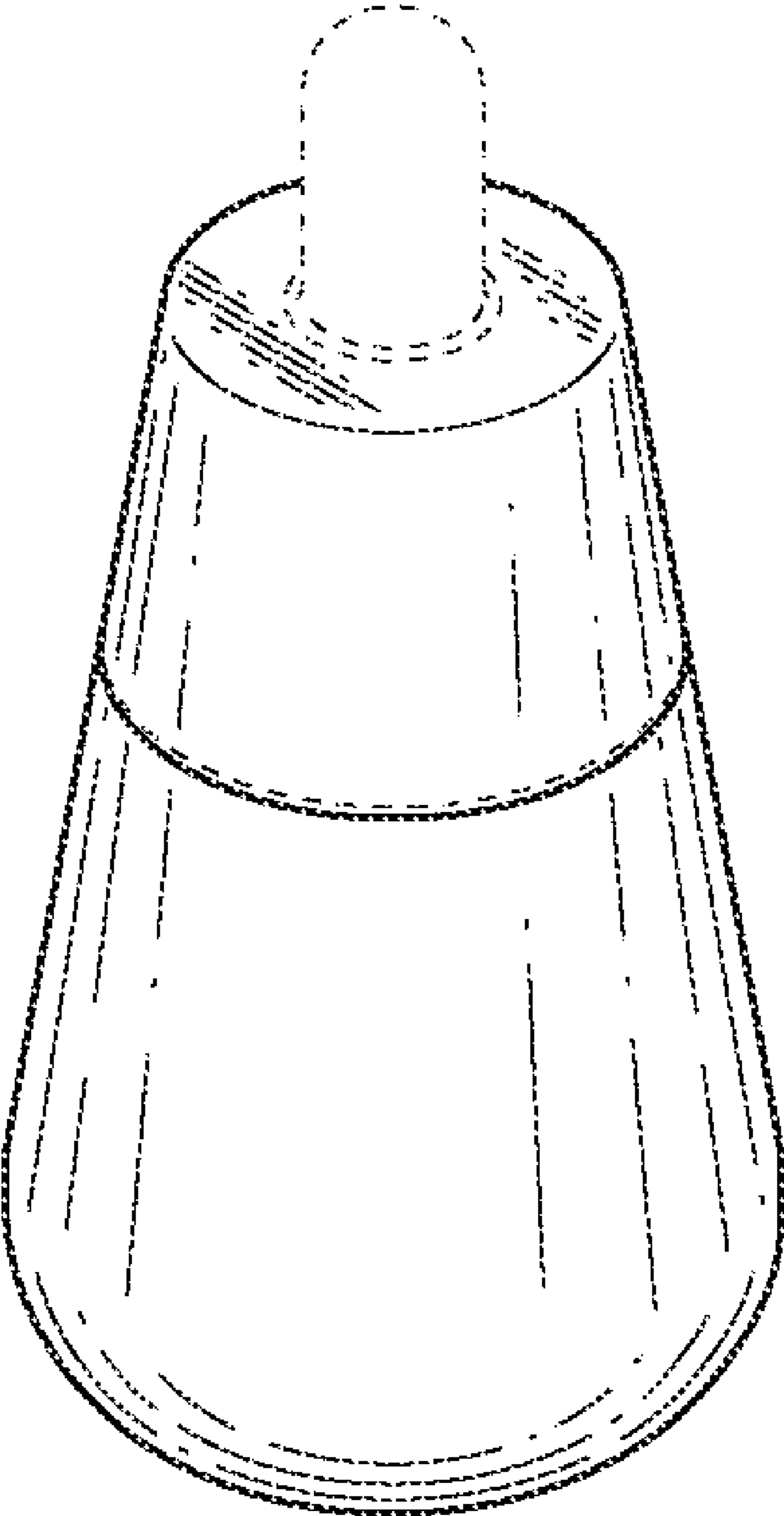


Fig. 1

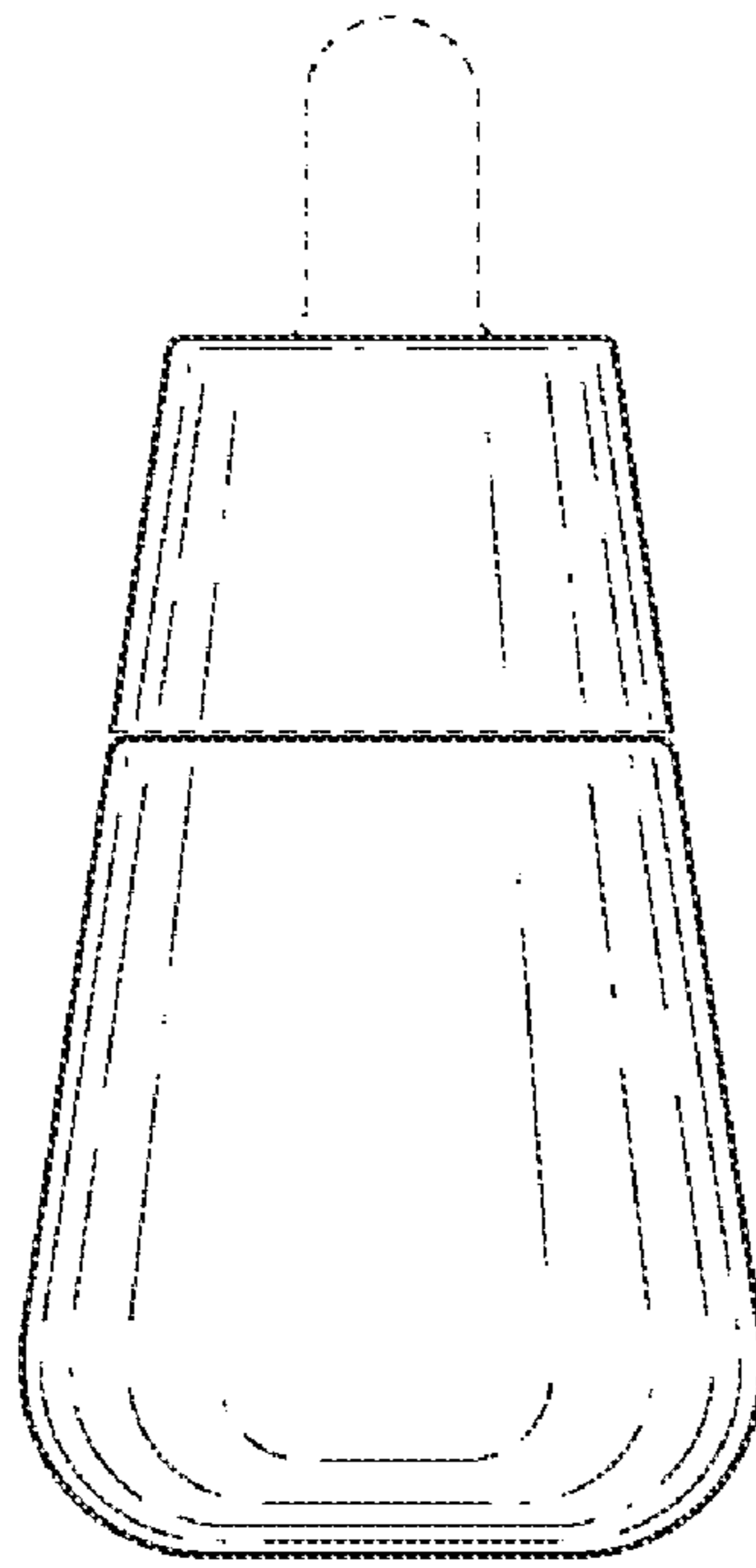


Fig. 2

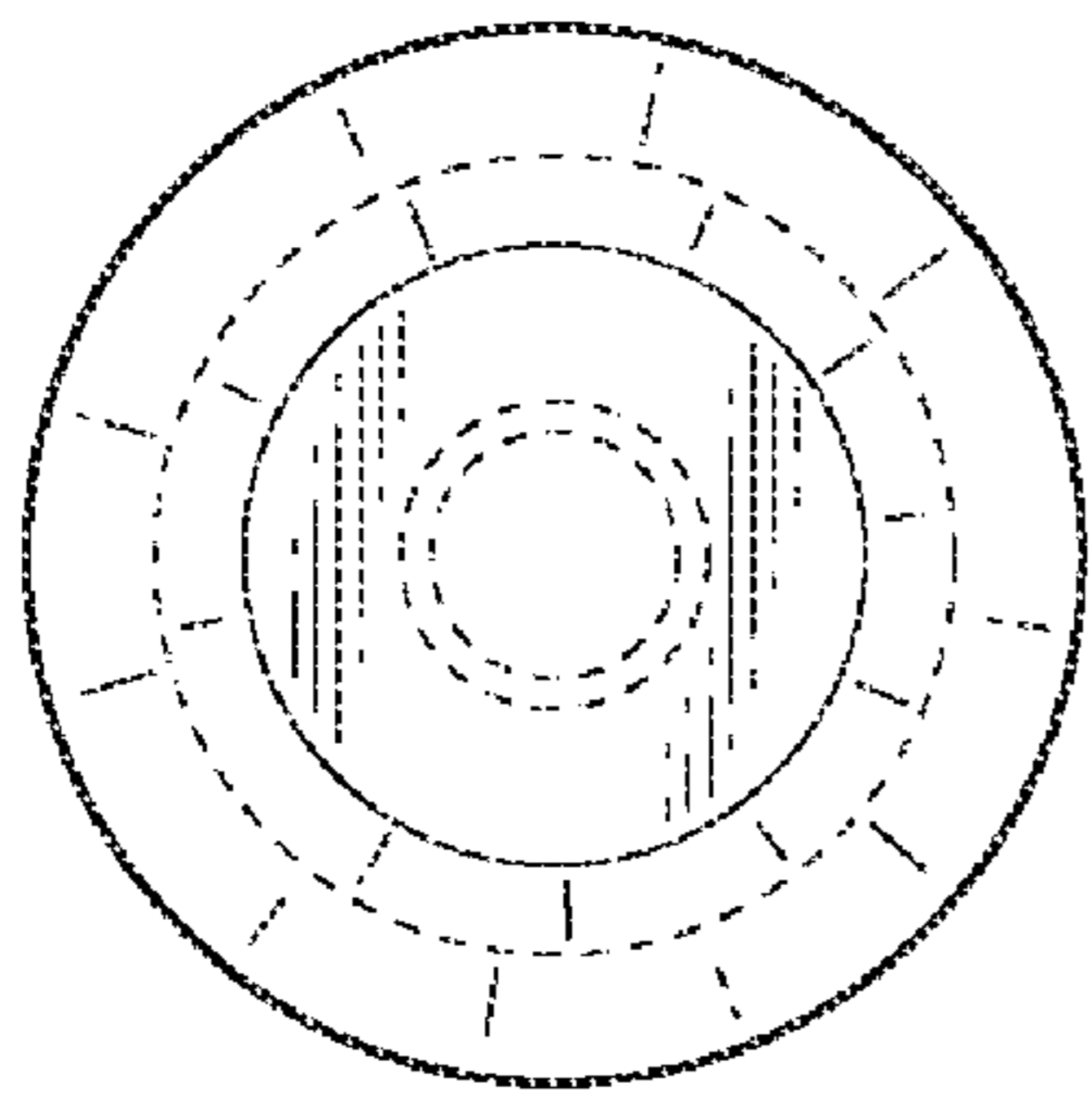


Fig. 3

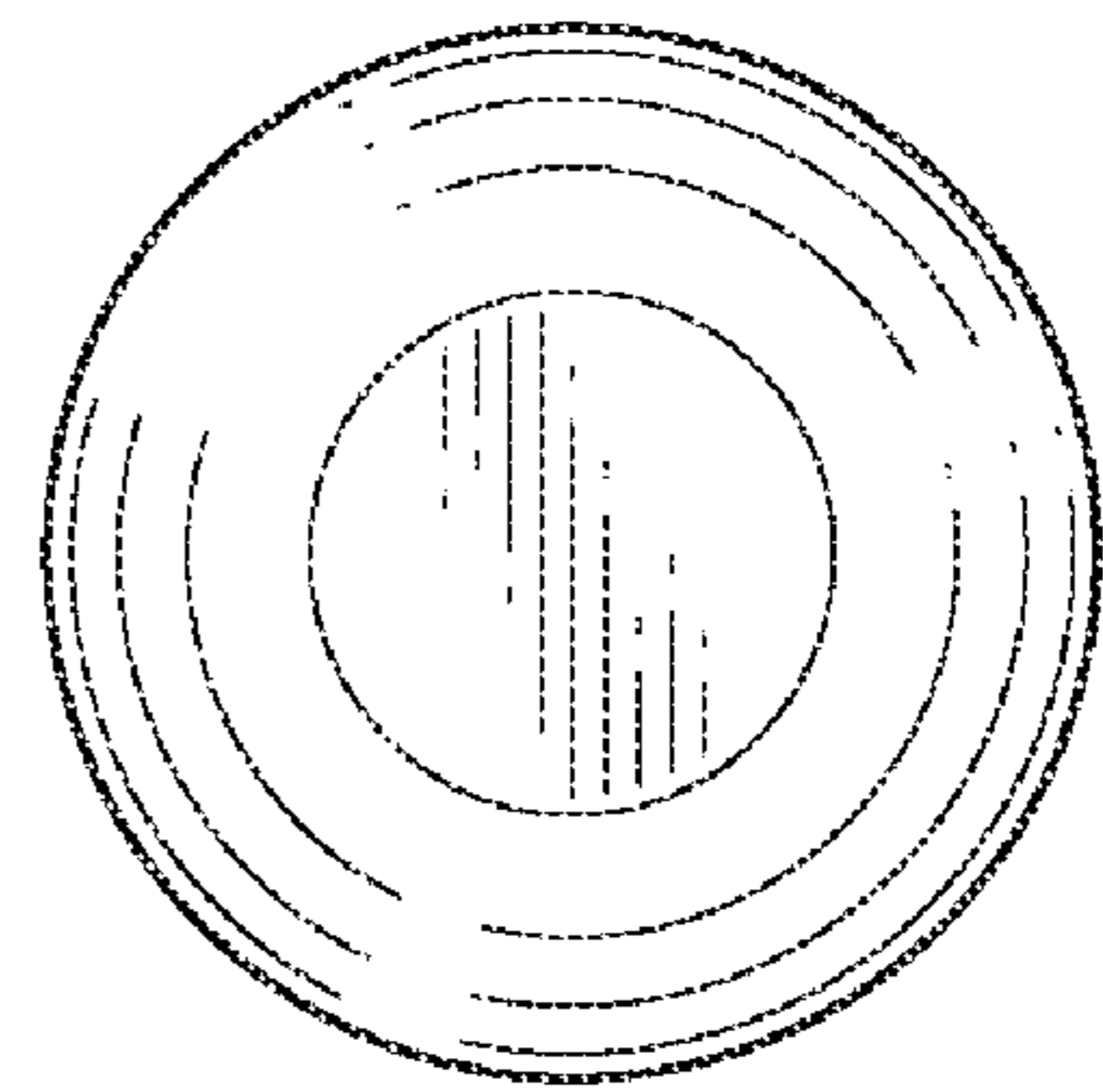


Fig. 4

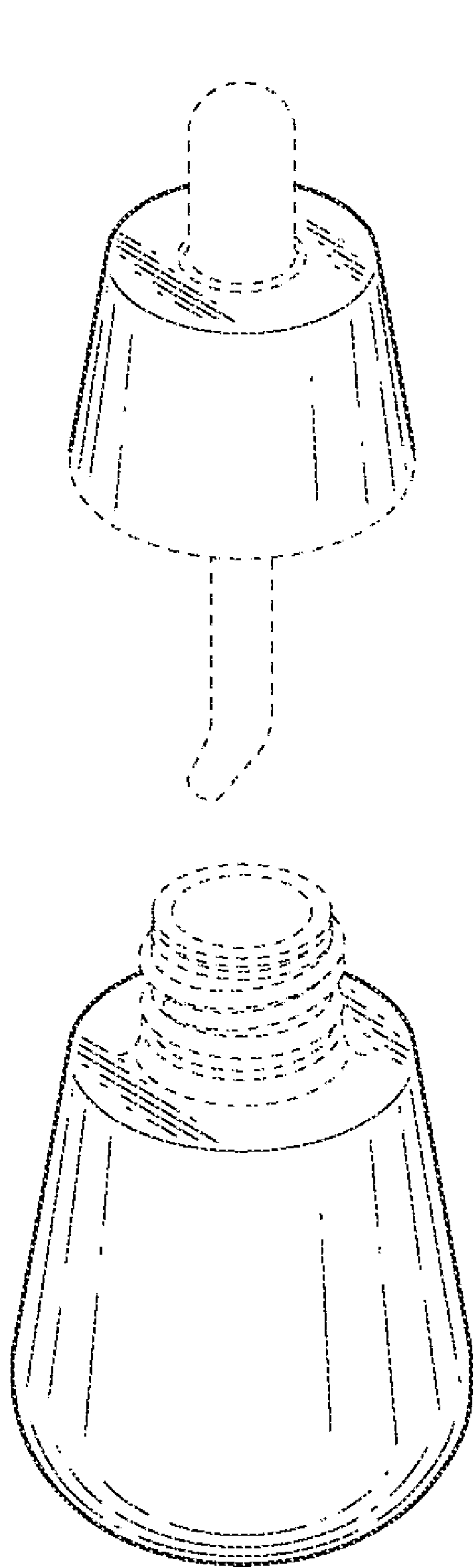


Fig. 5