



US00D619893S

(12) **United States Design Patent**
Fiore et al.

(10) **Patent No.:** **US D619,893 S**
(45) **Date of Patent:** **** Jul. 20, 2010**

(54) **BOTTLE**

(75) Inventors: **Sunshine Judy Fiore**, Norwalk, CT (US); **John David Almstead, Jr.**, Newtown, CT (US); **Matthew Scott Okin**, Cresskill, NJ (US); **Joey Gyomay Nakayama**, Chicago, IL (US); **Manfred Georg F. Zscheile**, Harsefeld (DE)

(73) Assignee: **Conopco, Inc.**, Englewood Cliffs, NJ (US)

(**) Term: **14 Years**

(21) Appl. No.: **29/315,267**

(22) Filed: **Jun. 10, 2009**

(51) **LOC (9) Cl.** **09-01**

(52) **U.S. Cl.** **D9/445; D9/435**

(58) **Field of Classification Search** D9/529,
D9/521, 454, 452, 447, 445, 435; 220/200,
220/806, 716, 258.2, 257.1; 215/200, 261,
215/260

See application file for complete search history.

(56) **References Cited**

U.S. PATENT DOCUMENTS

| | | | |
|--------------|---------|------------------|--------------|
| D200,019 S | 1/1965 | Gould | |
| D244,176 S | 5/1977 | Pardo | |
| D288,663 S * | 3/1987 | Thieffry | D9/452 |
| D398,238 S | 9/1998 | Bertolini et al. | |
| D468,643 S | 1/2003 | Kuzma et al. | |
| D486,395 S | 2/2004 | Lovell et al. | |
| D509,142 S | 9/2005 | Blasko et al. | |
| D509,441 S | 9/2005 | Wilson et al. | |
| D525,868 S * | 8/2006 | Kolanus et al. | D9/445 |
| D545,682 S | 7/2007 | Mongeon et al. | |
| D546,179 S * | 7/2007 | Kunesh et al. | D9/445 |
| D556,586 S | 12/2007 | Mongeon et al. | |

OTHER PUBLICATIONS

WO 000060934.0001, Containers, Henkel, Registration No. D060934-001, Registration Date Aug. 5, 2002.
WO 000065165.0001, Bottle, Henkel, Registration No. D065165-001, Registration Date Mar. 4, 2004.
WO 000065642.0001, Head stand bottles, Henkel, Registration No. D065642-001, Registration Date Jun. 25, 2004.
WO 000065642.0004, Head stand bottles, Henkel, Registration No. D065642-004, Registration Date Jun. 25, 2004.
WO 000065642.0006, Head stand bottles, Henkel, Registration No. D065642-006, Registration Date Jun. 25, 2004.
WO 000069232.0001, Containers, Henkel, Registration No. D069232-001, Registration Date Aug. 13, 2007.
WO 000069232.0002, Containers, Henkel, Registration No. D069232-002, Registration Date Aug. 13, 2007.

* cited by examiner

Primary Examiner—Susan Bennett Hattan

(74) *Attorney, Agent, or Firm*—Alan A. Bornstein

(57) **CLAIM**

The ornamental design for a bottle, as shown and described.

DESCRIPTION

FIG. 1 is a front perspective view of a bottle showing our new design;

FIG. 2 is a front elevational view thereof;

FIG. 3 is a back elevational view thereof;

FIG. 4 is a right side elevational view thereof; the opposite side view being identical;

FIG. 5 is a top plan view thereof; and,

FIG. 6 is a bottom plan view thereof.

The broken lines immediately adjacent the shaded areas represent the bounds of the claimed design while all other broken lines are directed to environment and are for illustrative purposes only; the broken lines form no part of the claimed design.

1 Claim, 5 Drawing Sheets

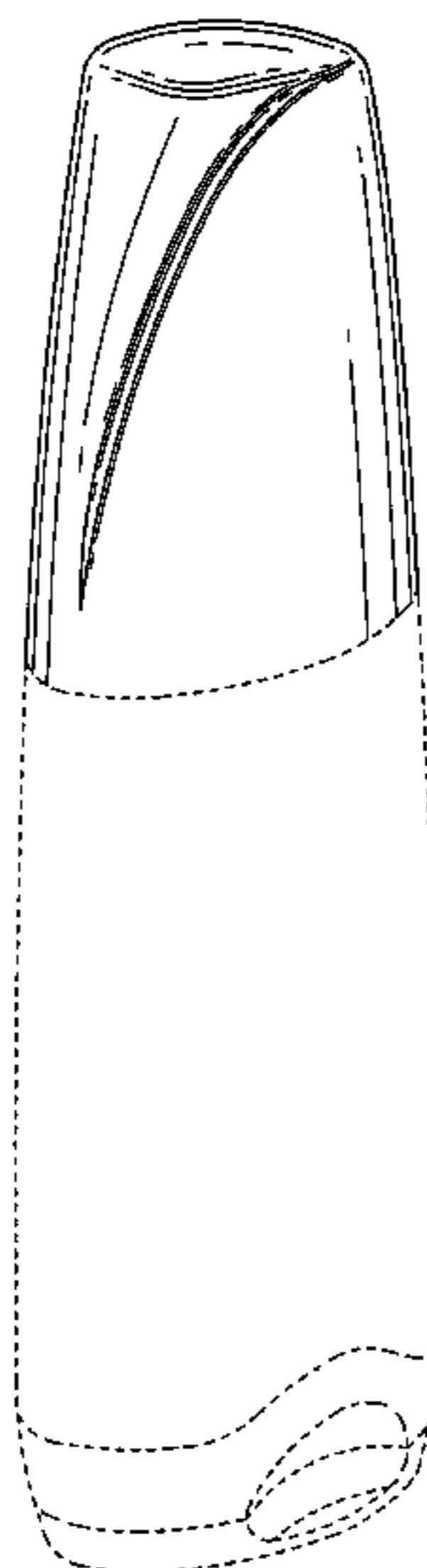


FIG. 1

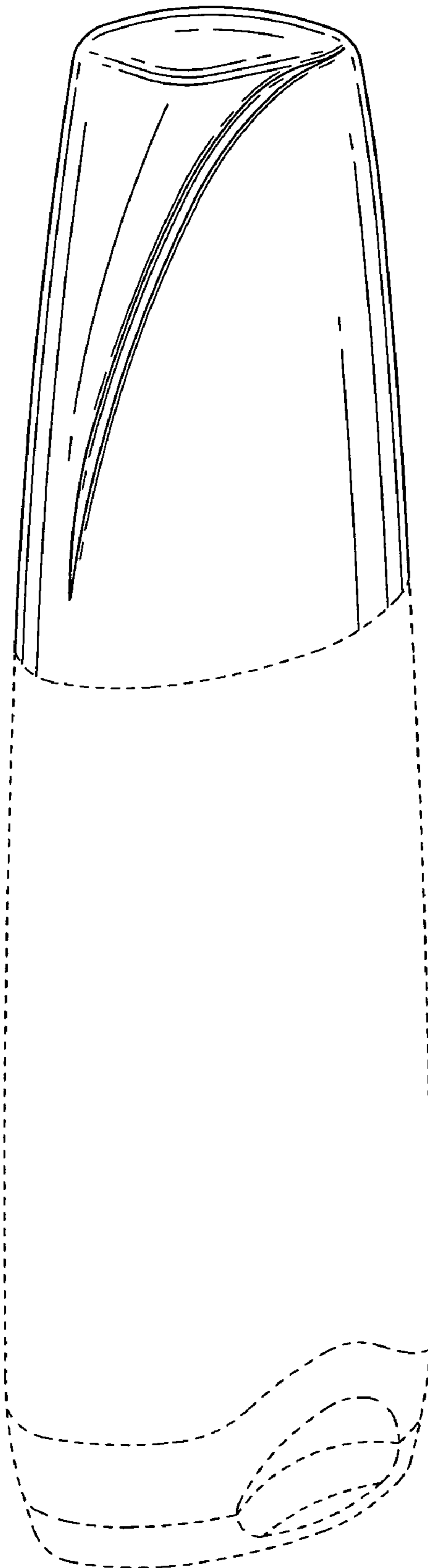


FIG. 2

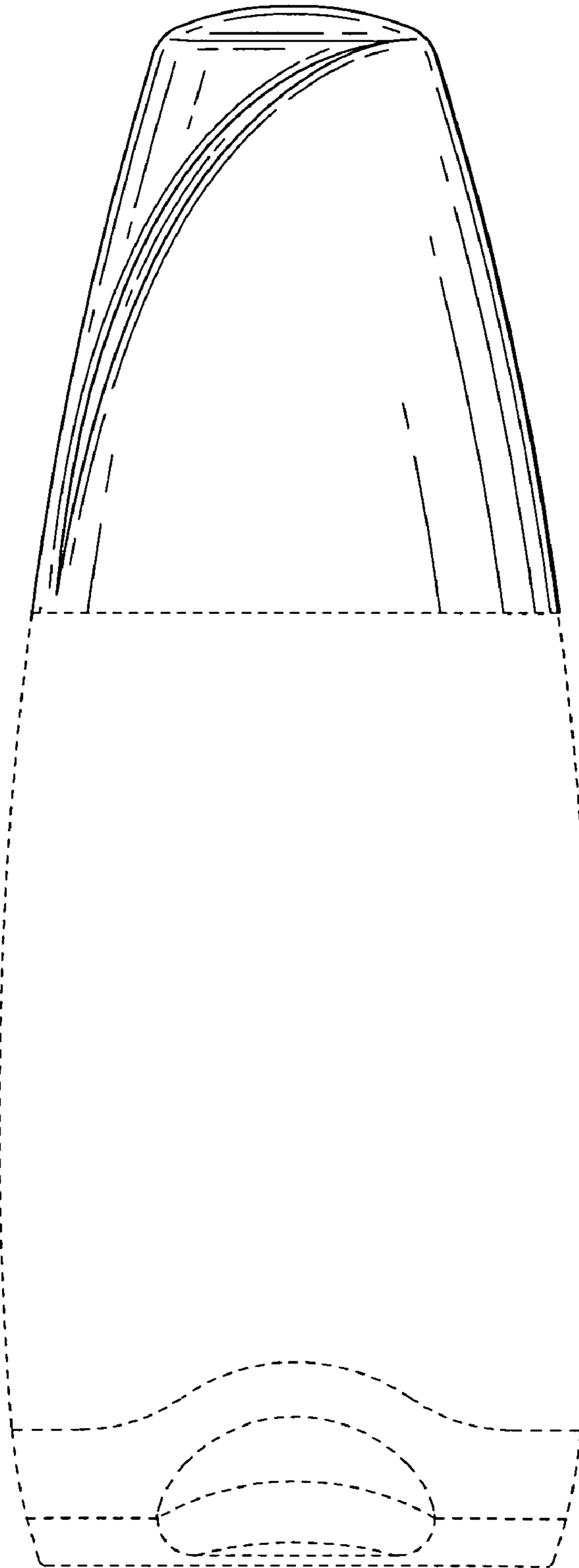


FIG. 3

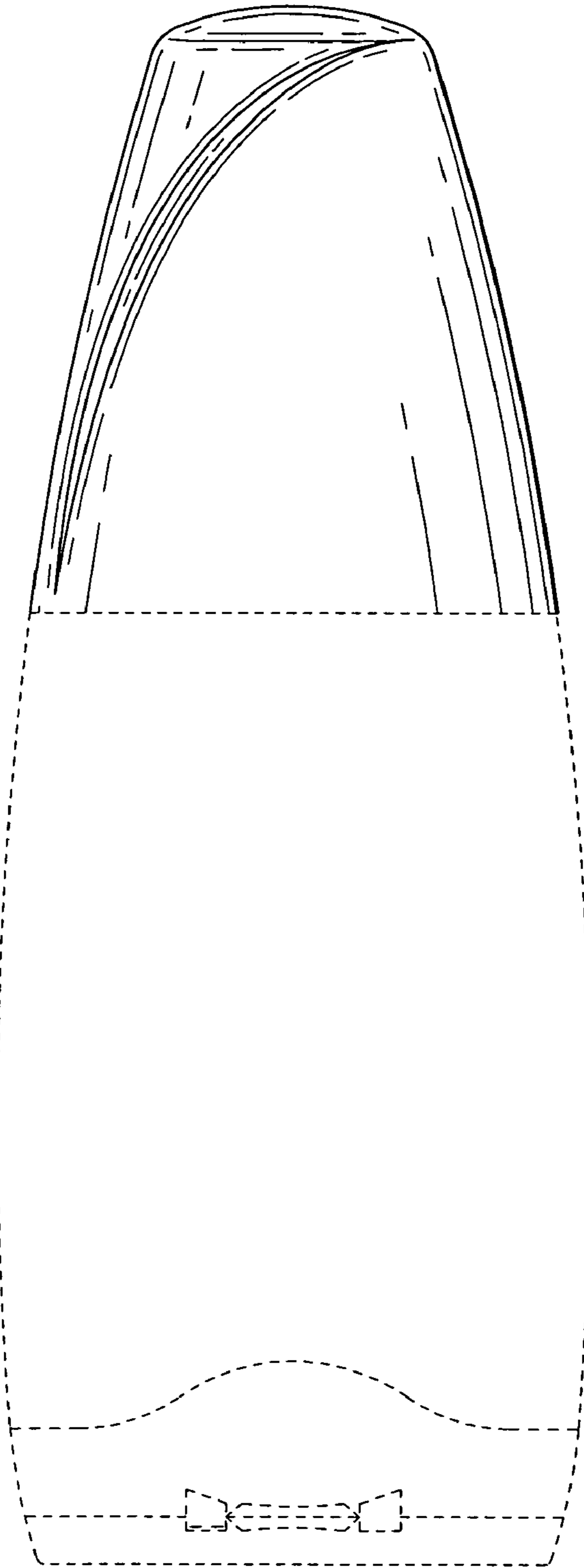


FIG. 4

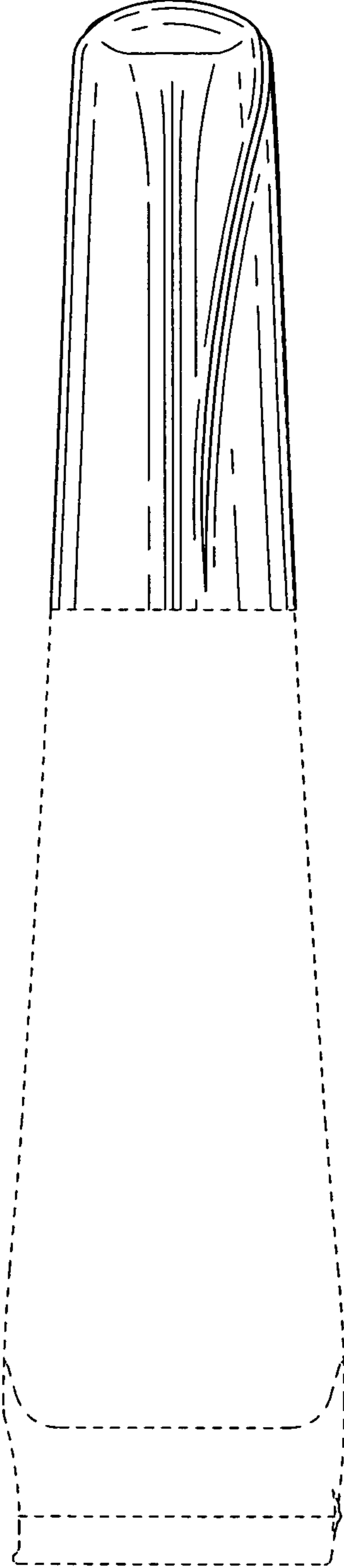


FIG. 5

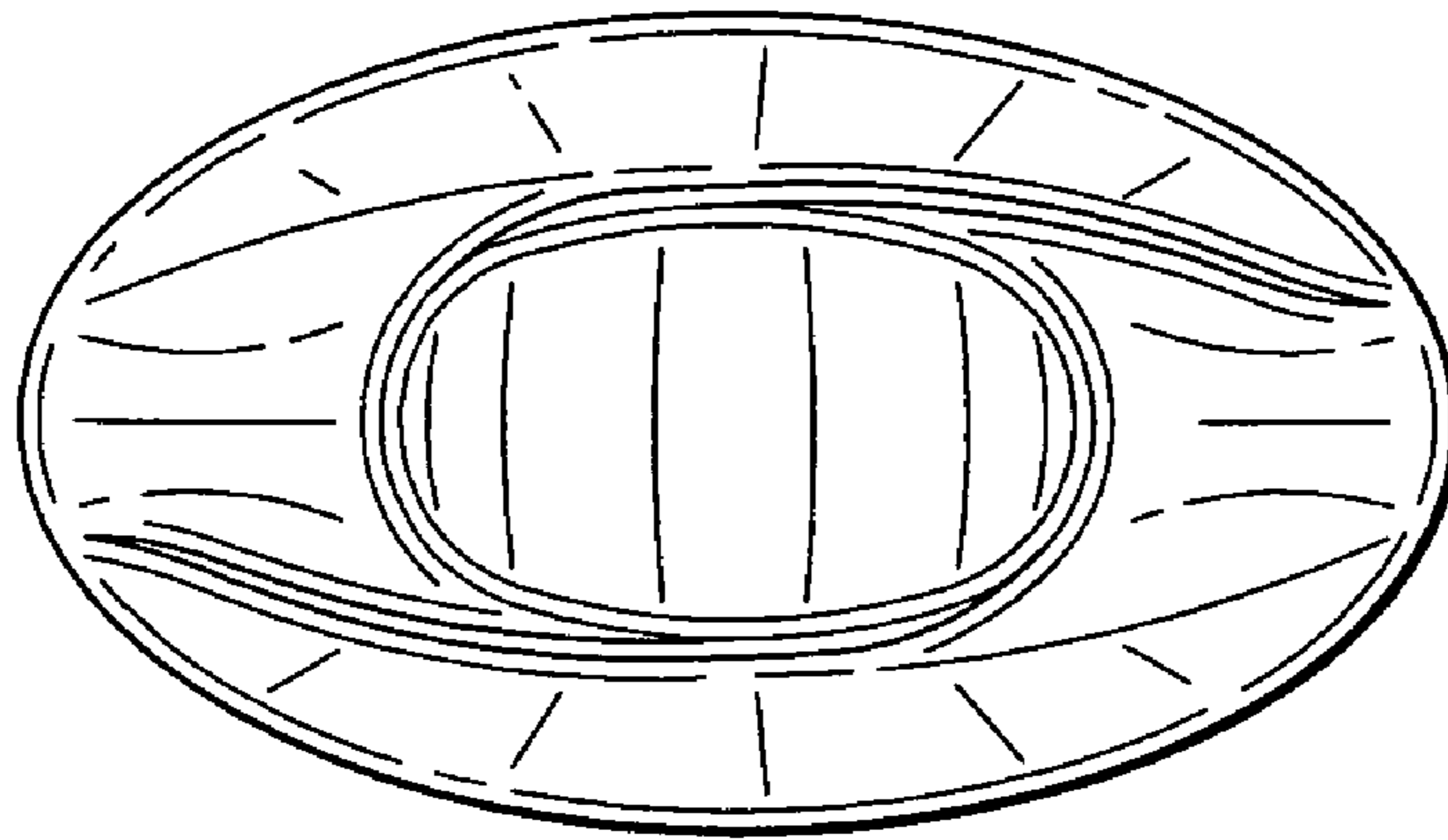


FIG. 6

