



US00D619892S

(12) **United States Design Patent**
Welk et al.

(10) **Patent No.:** **US D619,892 S**
(45) **Date of Patent:** **** Jul. 20, 2010**

(54) **LID**
(75) Inventors: **Michael Welk**, Vernon Hills, IL (US);
Tara Marie Marchionna, New York,
NY (US); **Paul Katz**, New York, NY
(US); **Kirsten Jane Climer**, New York,
NY (US); **Diana Beatriz Sierra**, North
Bergen, NJ (US); **Bikramjeet Sohi**,
Buffalo Grove, IL (US); **John Chap**,
Woodridge, IL (US); **Davin Stowell**,
New York, NY (US)

4,005,798 A 2/1977 Minsky
4,185,752 A 1/1980 Basile
D256,759 S 9/1980 Johnson
D258,038 S 1/1981 Johnson
4,329,919 A 5/1982 Andersen

(Continued)

FOREIGN PATENT DOCUMENTS

(73) Assignee: **WKI Holding Company, Inc.**,
Rosemont, IL (US)

EP 0 290 418 A2 11/1988

(**) Term: **14 Years**

Primary Examiner—Susan Bennett Hattan
(74) *Attorney, Agent, or Firm*—McDermott Will & Emery
LLP

(21) Appl. No.: **29/345,755**

(22) Filed: **Oct. 22, 2009**

(57) **CLAIM**

(51) **LOC (9) Cl.** **09-07**

(52) **U.S. Cl.** **D9/443; D7/391**

(58) **Field of Classification Search** D9/631,
D9/456, 453, 451, 450, 449, 448, 447, 443,
D9/436, 435; D7/511, 396.2, 394, 393, 392.1,
D7/314, 305; 222/83, 81, 556, 533, 530,
222/519, 205, 192, 158, 153.07; 220/212.5,
220/200; 215/306, 305, 228, 200; 206/541,
206/222, 221, 220, 219, 216

We claim the ornamental design for a lid, as shown and
described.

See application file for complete search history.

DESCRIPTION

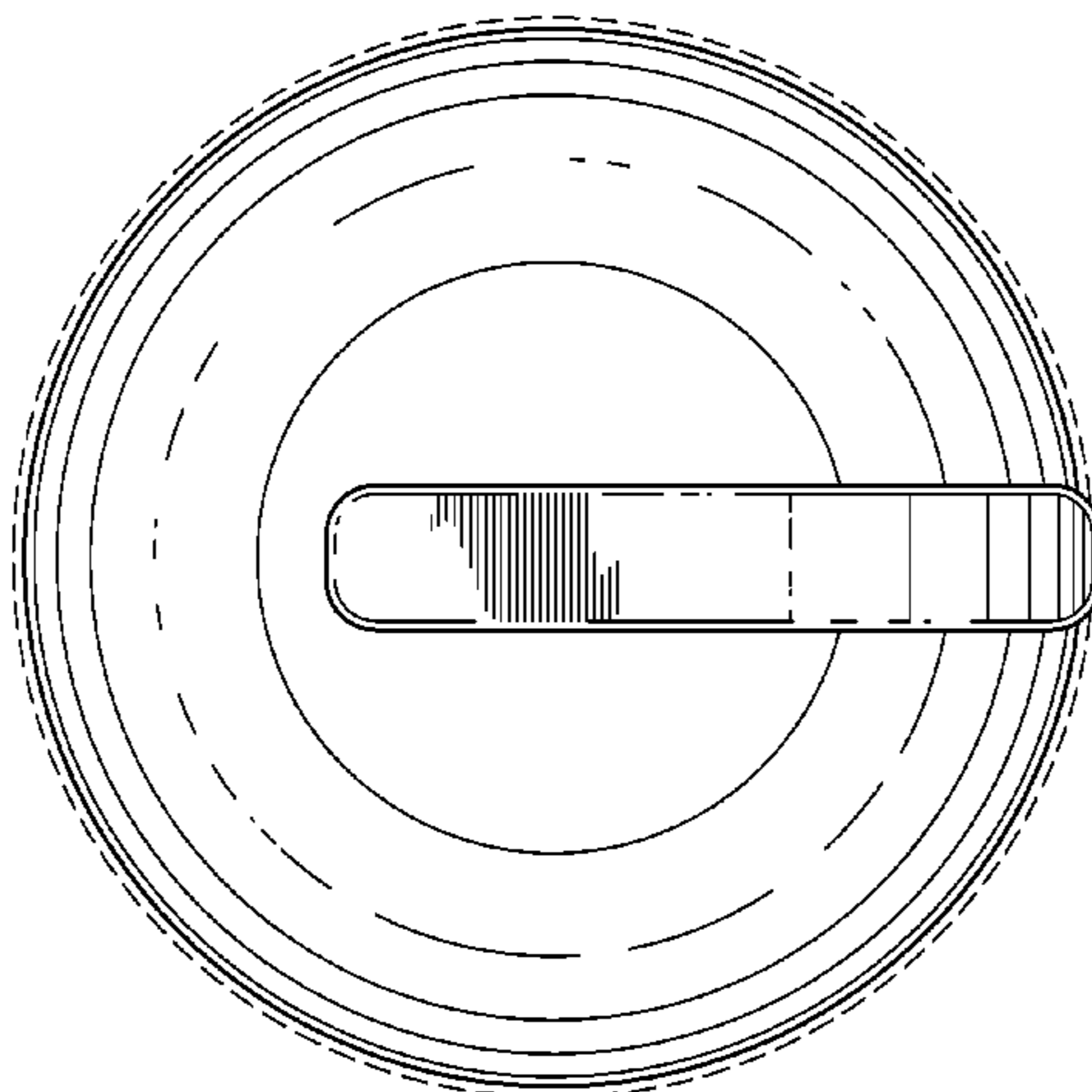
(56) **References Cited**

U.S. PATENT DOCUMENTS

498,020 A 5/1893 Murray
2,069,125 A 1/1937 Antrim
2,259,770 A 10/1941 Nove
2,626,726 A 1/1953 Burkhardt
2,705,657 A 4/1955 Di Giorgio
2,808,175 A 10/1957 Aiken
D192,257 S 2/1962 Ebstein
3,081,394 A 3/1963 Arel et al.
3,632,014 A 1/1972 Basile
3,850,331 A 11/1974 Oxel

FIG. 1 is a perspective view of a lid according to the new
design;
FIG. 2 is a rear view of the lid shown in FIG. 1;
FIG. 3 is a front view of the lid shown in FIG. 1;
FIG. 4 is a top view of the lid shown in FIG. 1;
FIG. 5 is a bottom view of the lid shown in FIG. 1;
FIG. 6 is a left side elevation view of the lid shown in FIG. 1;
and,
FIG. 7 is a right side elevation view of the lid shown in FIG.
1.
Features shown in broken lines form no part of the claimed
design.

1 Claim, 4 Drawing Sheets



US D619,892 S

Page 2

U.S. PATENT DOCUMENTS

D361,470 S	8/1995	Arbunies				
D381,553 S	7/1997	Candianides				
D401,468 S	11/1998	Knoll et al.				
D435,447 S *	12/2000	Lee	D9/448			
6,234,067 B1	5/2001	Schmidt				
				D445,631 S	7/2001	Elorza
				D448,965 S	10/2001	Jang-Won
				6,581,795 B1	6/2003	Schülein et al.
				D511,931 S *	11/2005	Sano D7/393
				D571,657 S *	6/2008	Kuo D9/448
				2007/0095836 A1	5/2007	Auwarter et al.

* cited by examiner

FIG. 1

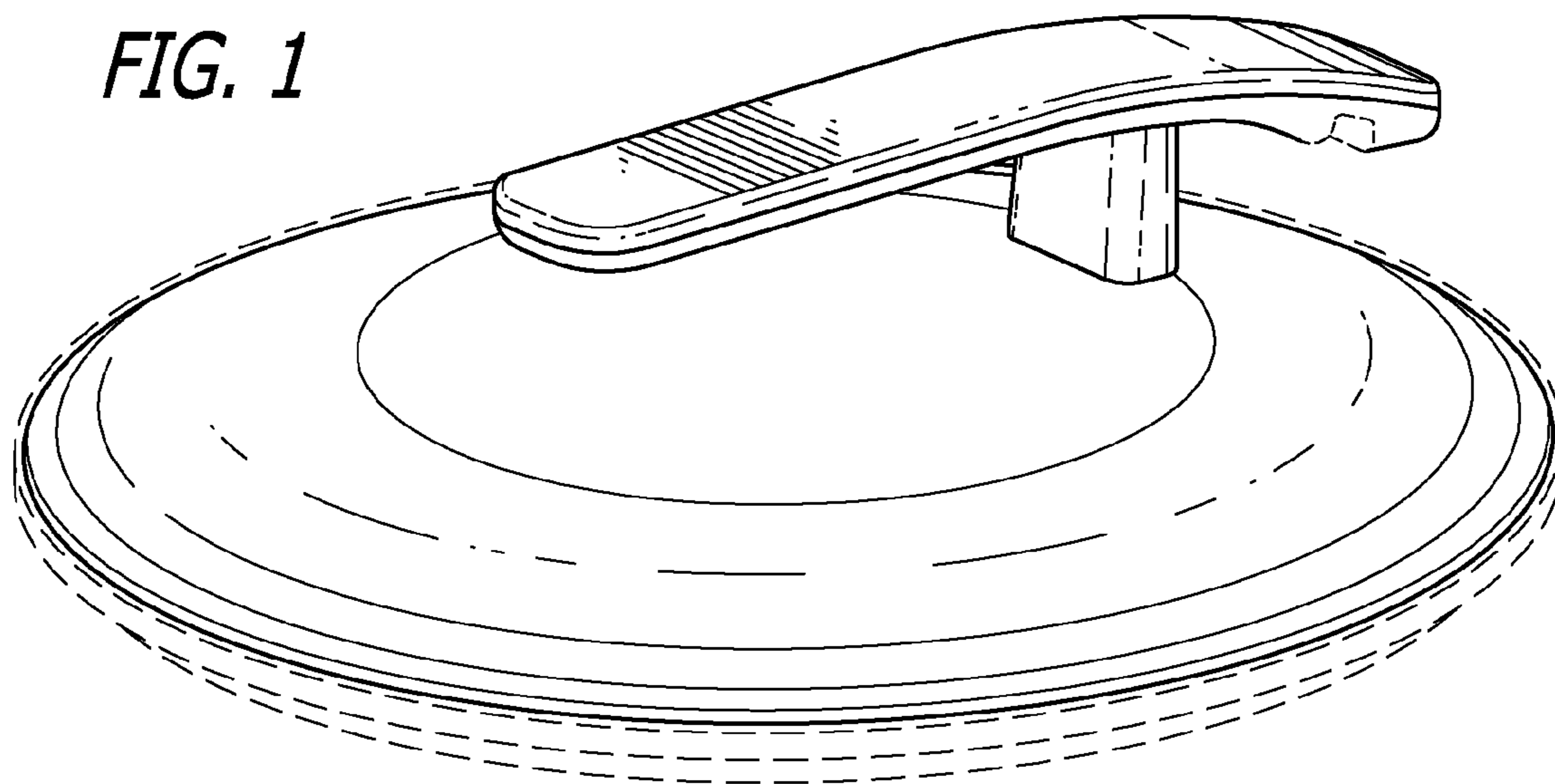


FIG. 2

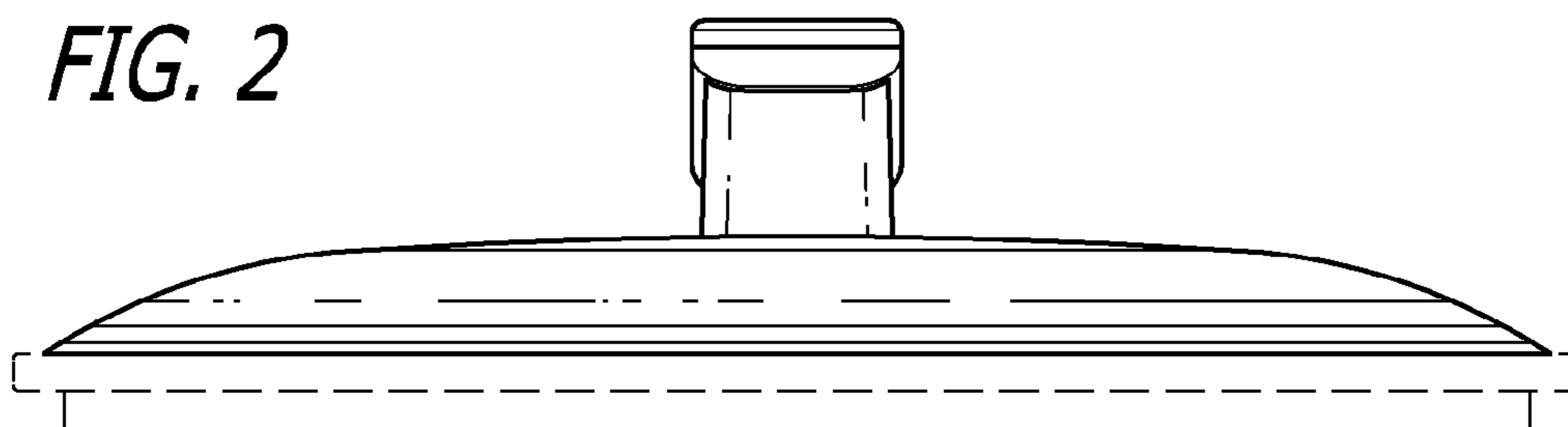


FIG. 3

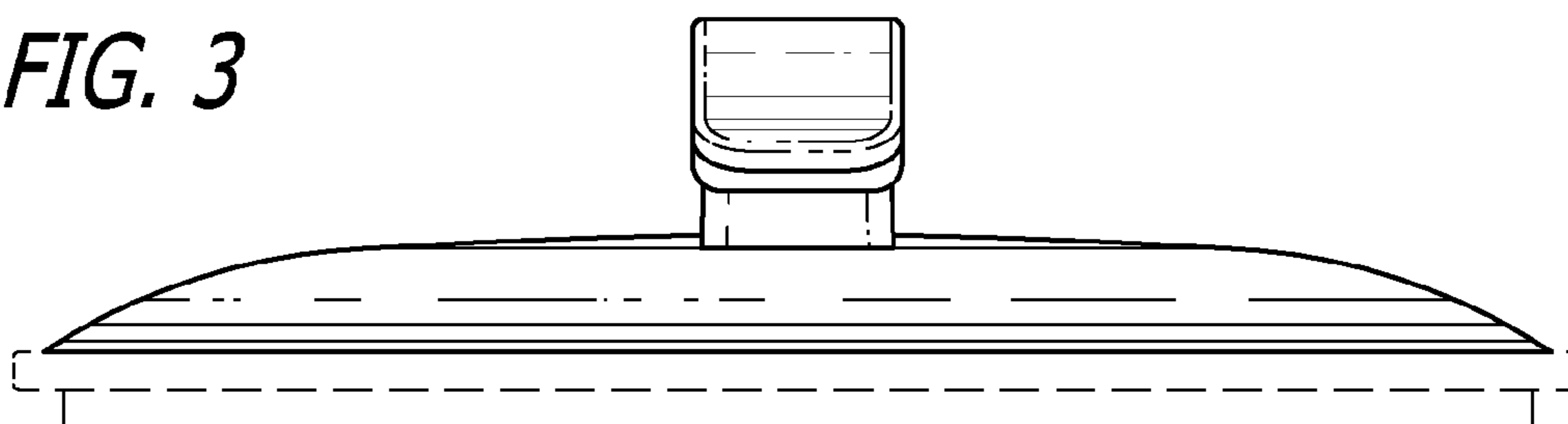


FIG. 4

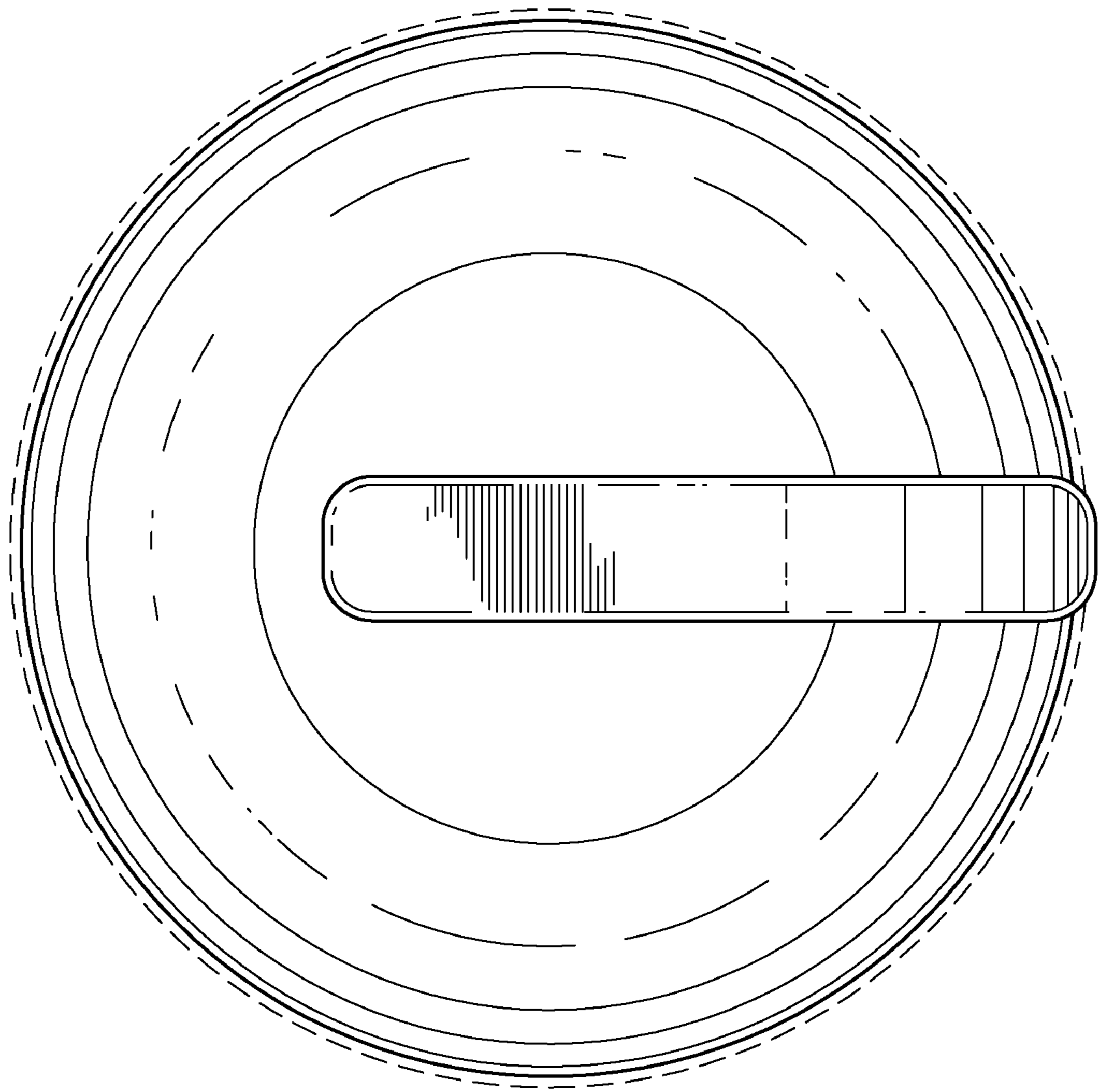


FIG. 5

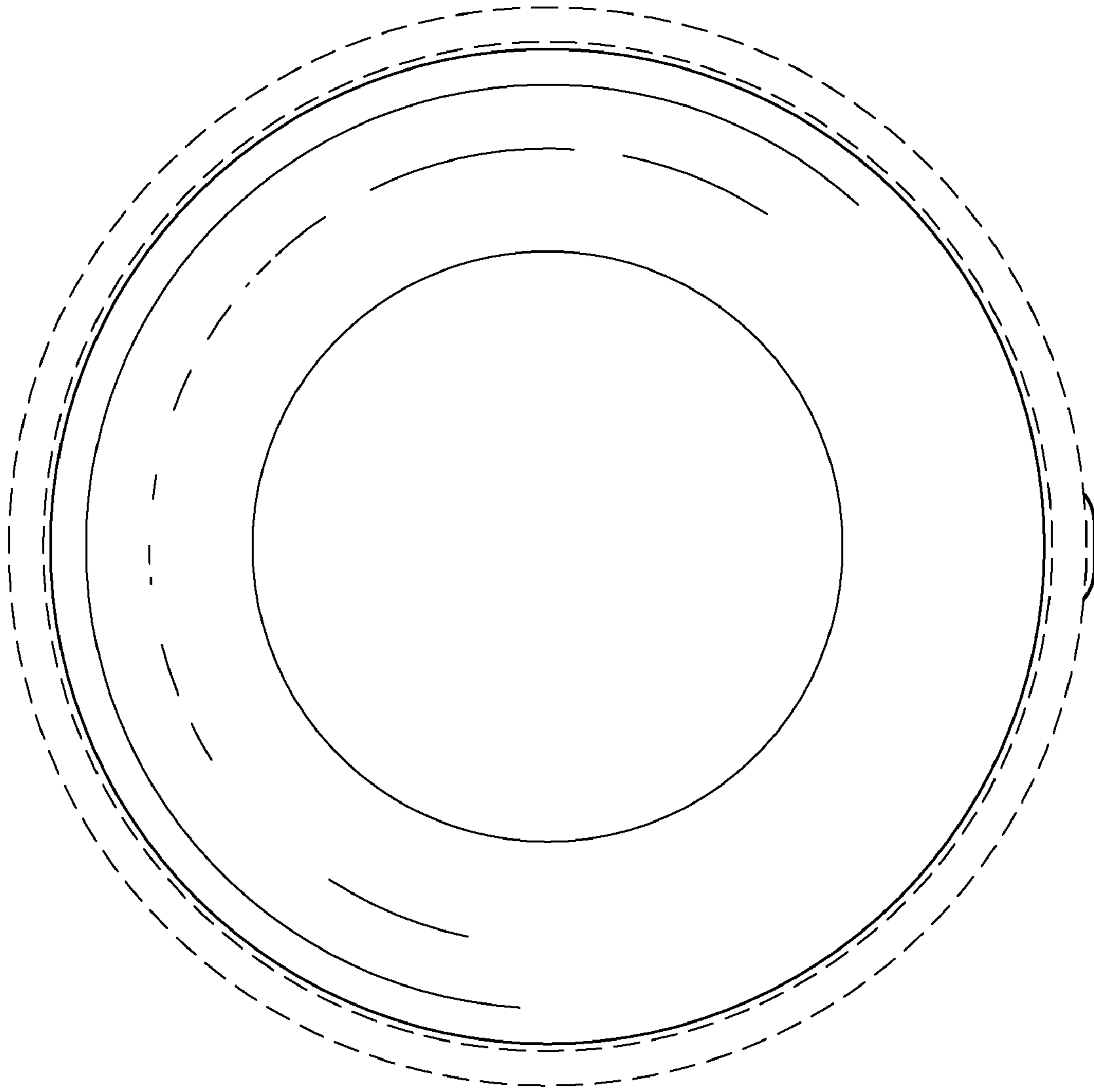


FIG. 6

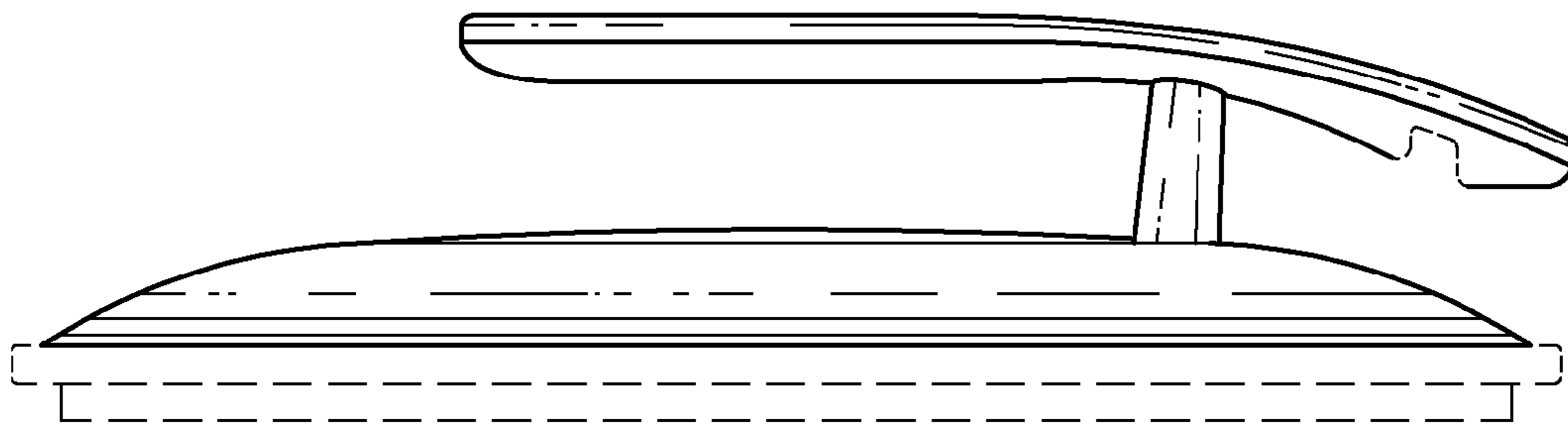


FIG. 7

