



US00D619889S

(12) **United States Design Patent**
Short et al.

(10) **Patent No.:** **US D619,889 S**
(45) **Date of Patent:** **** Jul. 20, 2010**

(54) **LID AND CONTAINER ASSEMBLY**

(75) Inventors: **Phillip R. Short**, Vineland Station (CA);
Xie F. Song, Shantou (CN)

(73) Assignee: **Vortex Packaging Niagara, Inc.**,
Vineland Station, Ontario (CA)

(**) Term: **14 Years**

(21) Appl. No.: **29/339,677**

(22) Filed: **Jul. 6, 2009**

(51) **LOC (9) Cl.** **09-03**

(52) **U.S. Cl.** **D9/425; D9/427**

(58) **Field of Classification Search** D9/423-431;
D7/605, 709; D3/272-273, 276, 294, 302,
D3/312; 220/4.21-4.23, 266, 526, 574, 780,
220/DIG. 12; 206/216, 351, 469, 525, 562,
206/731, 733-734, 775-778, 781-782, 784,
206/822, 830; 221/191

See application file for complete search history.

(56) **References Cited**

U.S. PATENT DOCUMENTS

D211,859 S * 8/1968 Tishuk D9/427

(Continued)

Primary Examiner—Philip S Hyder

Assistant Examiner—Susan E Krakower

(74) *Attorney, Agent, or Firm*—Steven M. Greenberg, Esq.;
Carey Rodriguez Greenberg & Paul LLP

(57) **CLAIM**

The ornamental design for a lid and container assembly, as shown and described.

DESCRIPTION

FIG. 1 is a top perspective view of a first embodiment of a lid and container assembly according to our new design.

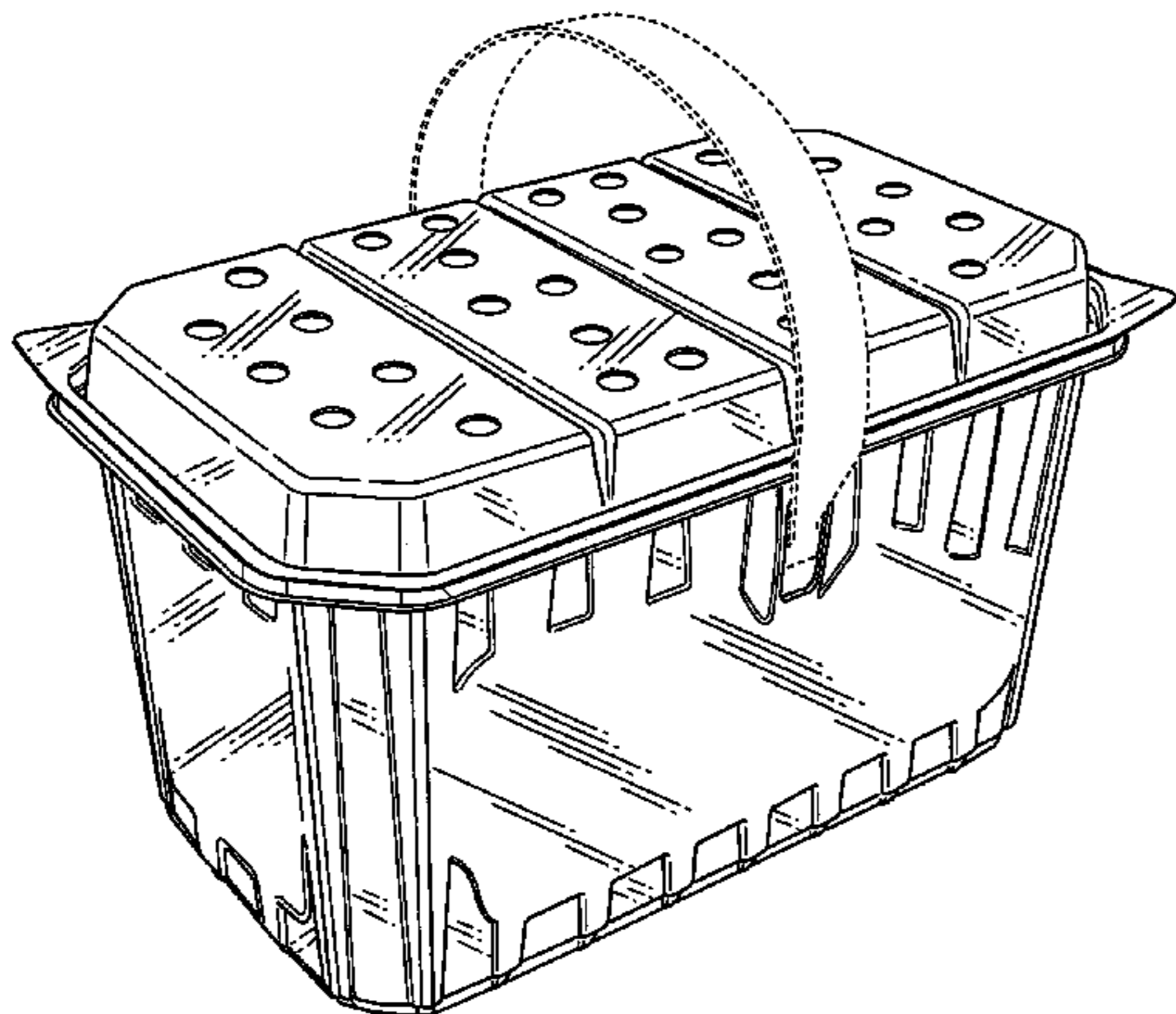


FIG. 2 is a bottom perspective view of the lid and container assembly of FIG. 1.

FIG. 3 is a left side view of the lid and container assembly of FIG. 1.

FIG. 4 is a rear view of the lid and container assembly of FIG. 1.

FIG. 5 is a right side view of the lid and container assembly of FIG. 1.

FIG. 6 is a front view of the lid and container assembly of FIG. 1.

FIG. 7 is a top view of the lid and container assembly of FIG. 1.

FIG. 8 is a bottom view of the lid and container assembly of FIG. 1.

FIG. 9 is an exploded top perspective view of the lid and container assembly of FIG. 1.

FIG. 10 is a top perspective view of a second embodiment of a lid and container assembly according to our new design.

FIG. 11 is a bottom perspective view of the lid and container assembly of FIG. 10.

FIG. 12 is a left side view of the lid and container assembly of FIG. 10.

FIG. 13 is a rear view of the lid and container assembly of FIG. 10.

FIG. 14 is a right side view of the lid and container assembly of FIG. 10.

FIG. 15 is a front view of the lid and container assembly of FIG. 10.

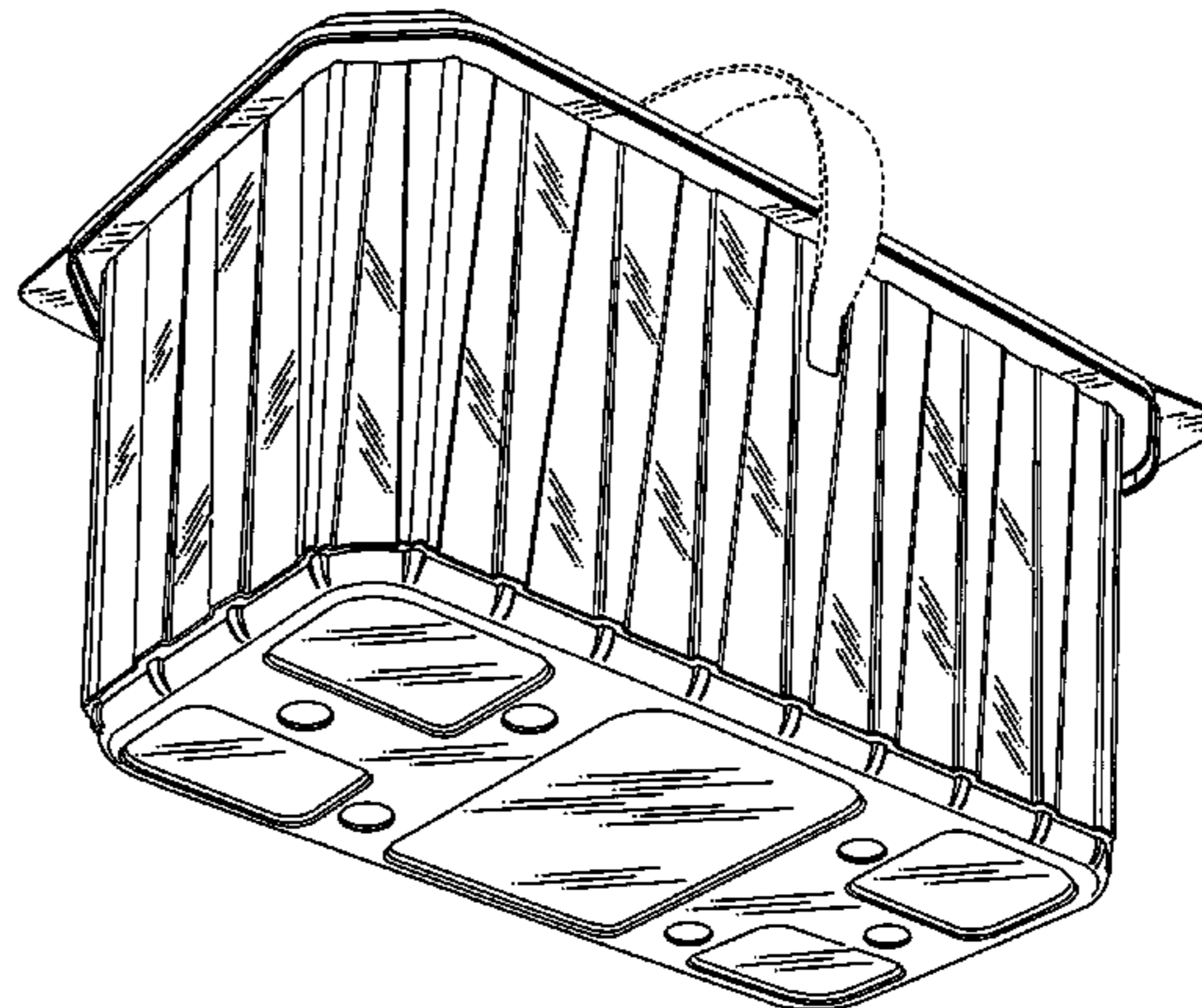
FIG. 16 is a top view of the lid and container assembly of FIG. 10.

FIG. 17 is a bottom view of the lid and container assembly of FIG. 10; and,

FIG. 18 is an exploded top perspective view of the lid and container assembly of FIG. 10.

The broken lines illustrate portions of the lid and container assembly which form no part of the claimed design.

1 Claim, 16 Drawing Sheets



US D619,889 S

Page 2

U.S. PATENT DOCUMENTS

D335,960 S *	6/1993	Kahl et al.	D7/709	D500,924 S *	1/2005	Martin et al.	D3/302
D341,461 S *	11/1993	Davidson et al.	D3/312	D543,030 S *	5/2007	Schafer	D3/272
D363,879 S *	11/1995	Krupa et al.	D9/423	D569,243 S *	5/2008	Kidd et al.	D9/425
D382,795 S *	8/1997	Abayhan et al.	D9/425	D573,015 S *	7/2008	Chen	D9/427
D383,670 S *	9/1997	Gubeli	D9/425	D578,757 S *	10/2008	Stevens et al.	D3/272
D394,550 S *	5/1998	Tanji	D3/273	D578,758 S *	10/2008	Stevens et al.	D3/272
D419,870 S *	2/2000	Albright et al.	D9/423	D579,326 S *	10/2008	Chen	D9/427
D473,137 S *	4/2003	Cadiente et al.	D9/423	D592,948 S *	5/2009	Mayer	D9/418
				D610,903 S *	3/2010	Shapiro et al.	D9/428

* cited by examiner

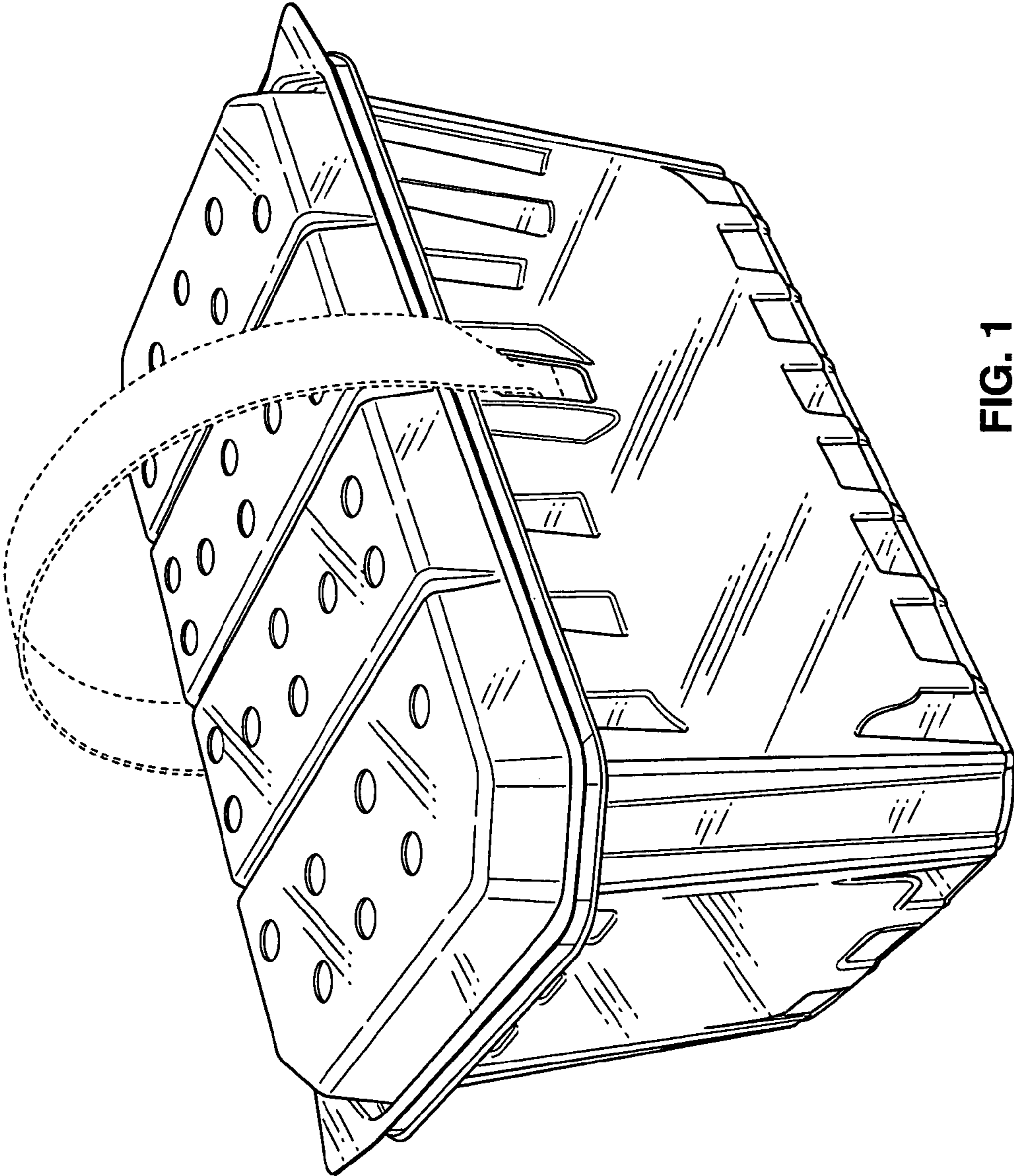


FIG. 1

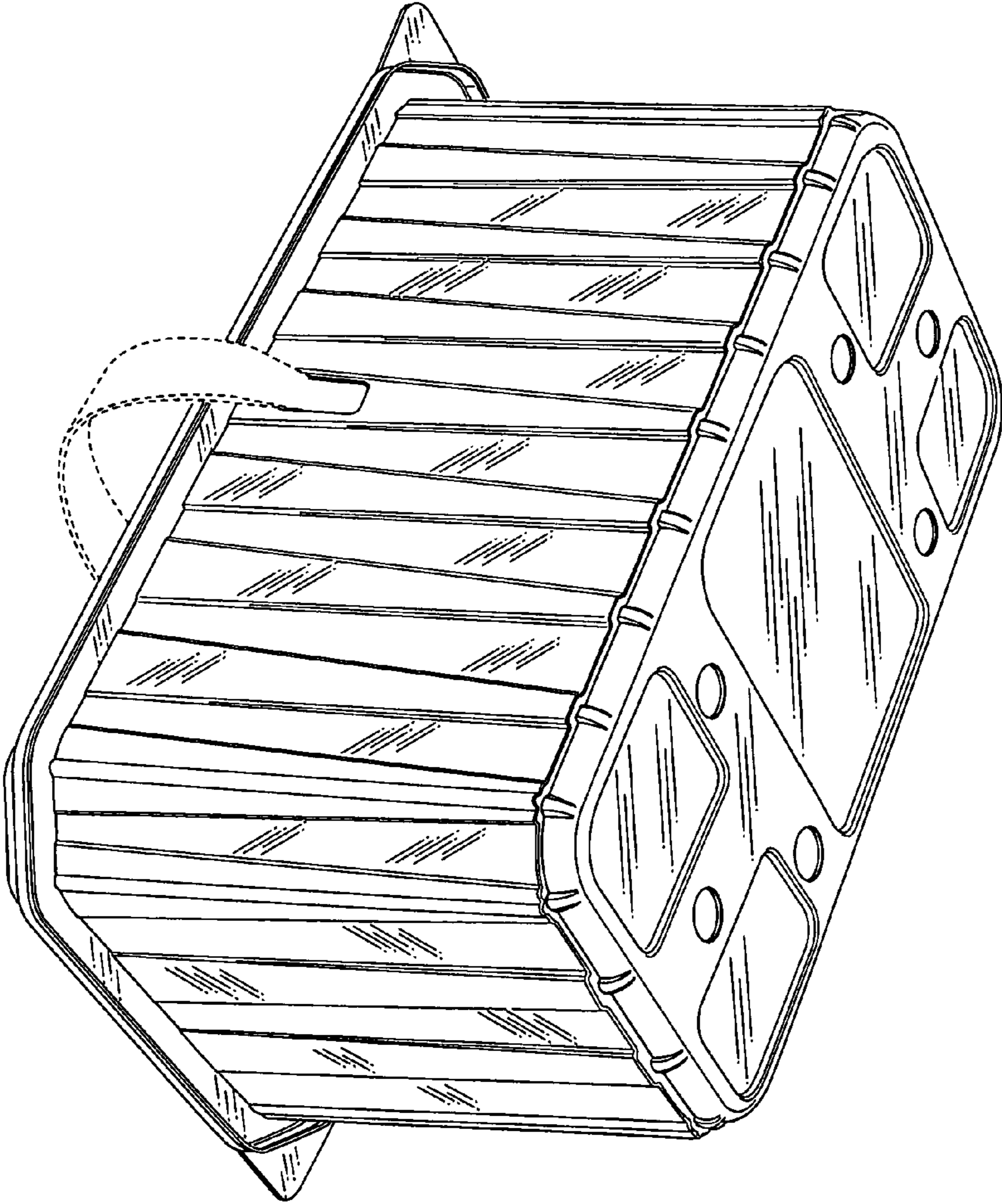


FIG. 2

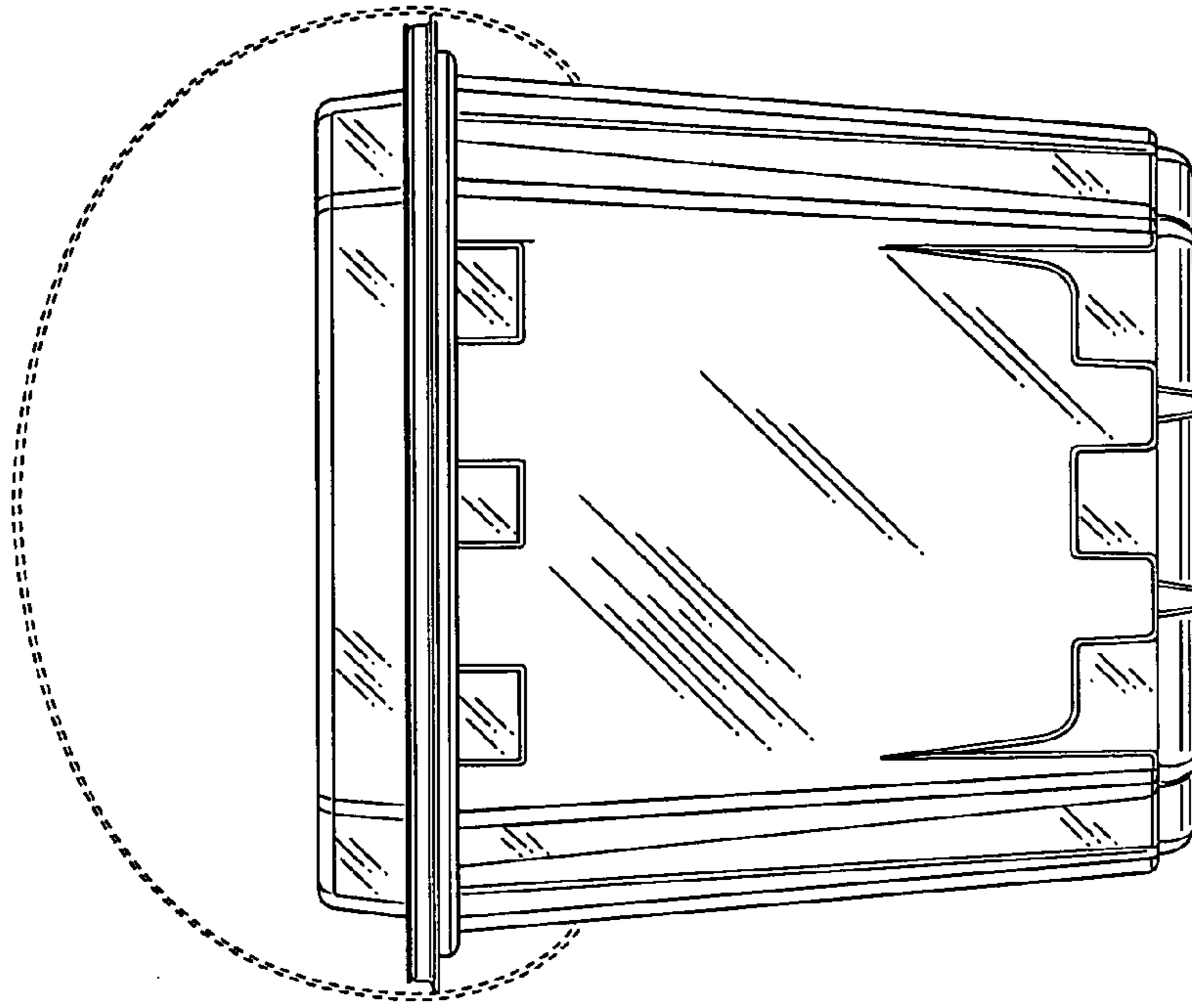


FIG. 5

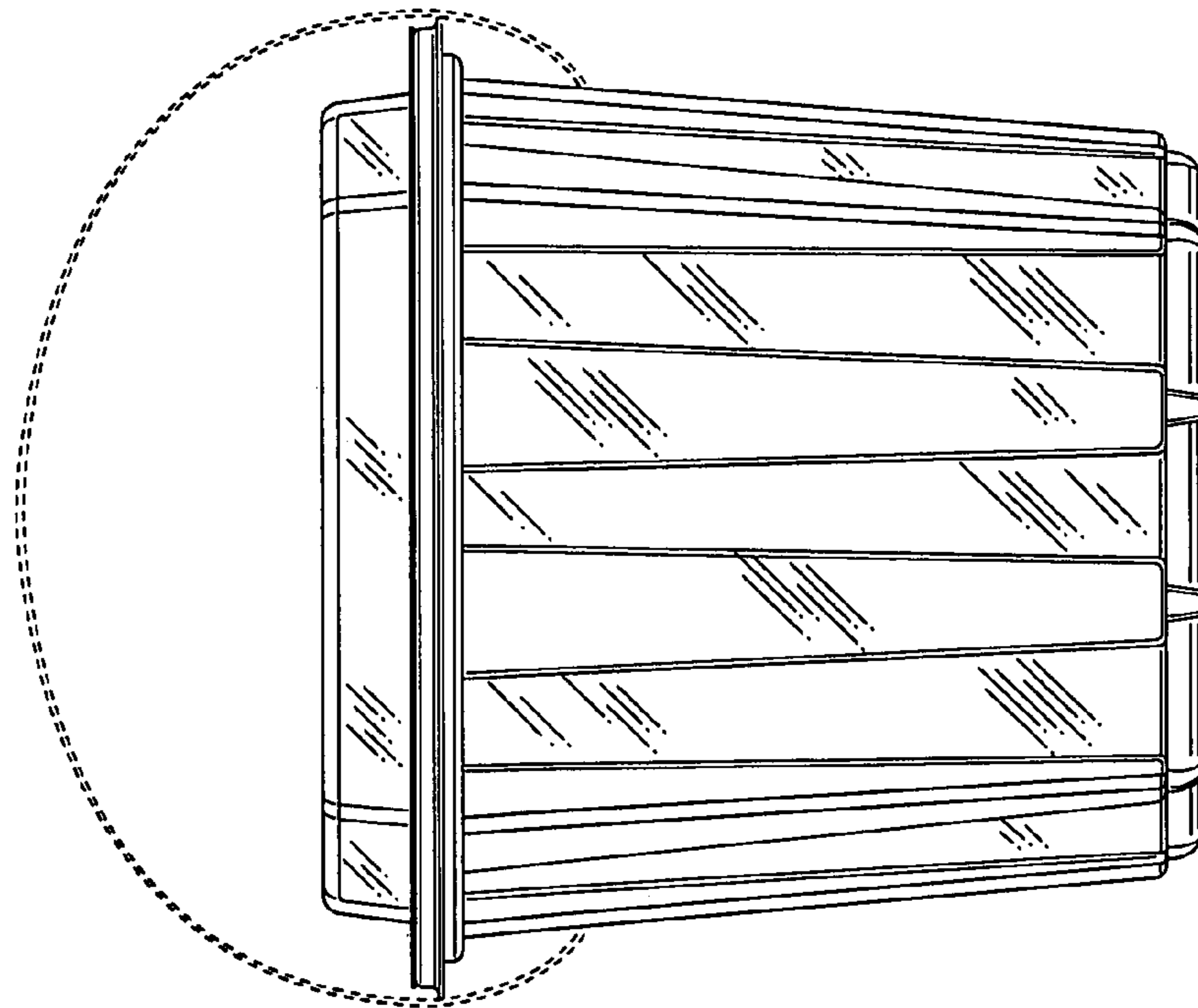


FIG. 3

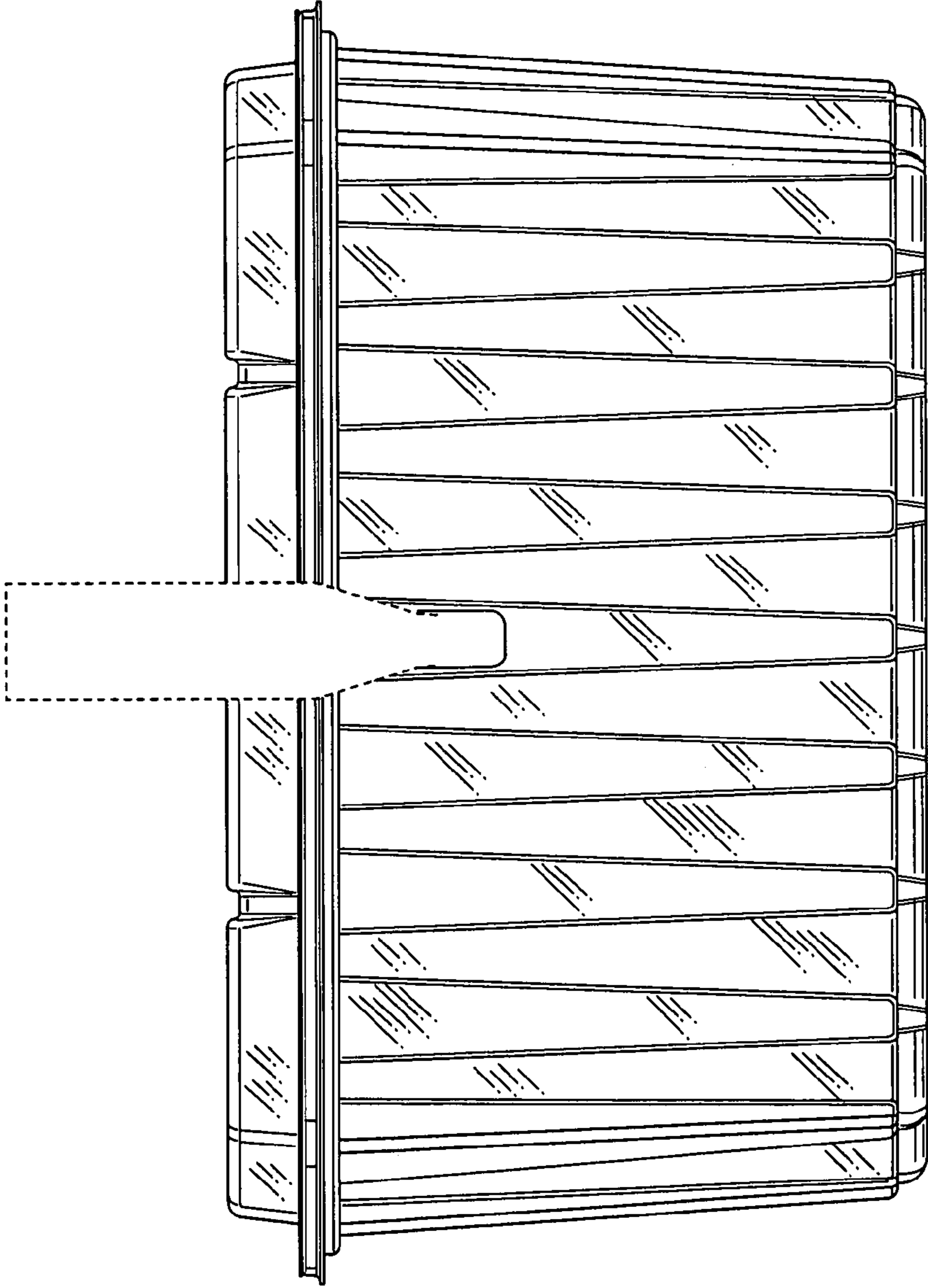


FIG. 4

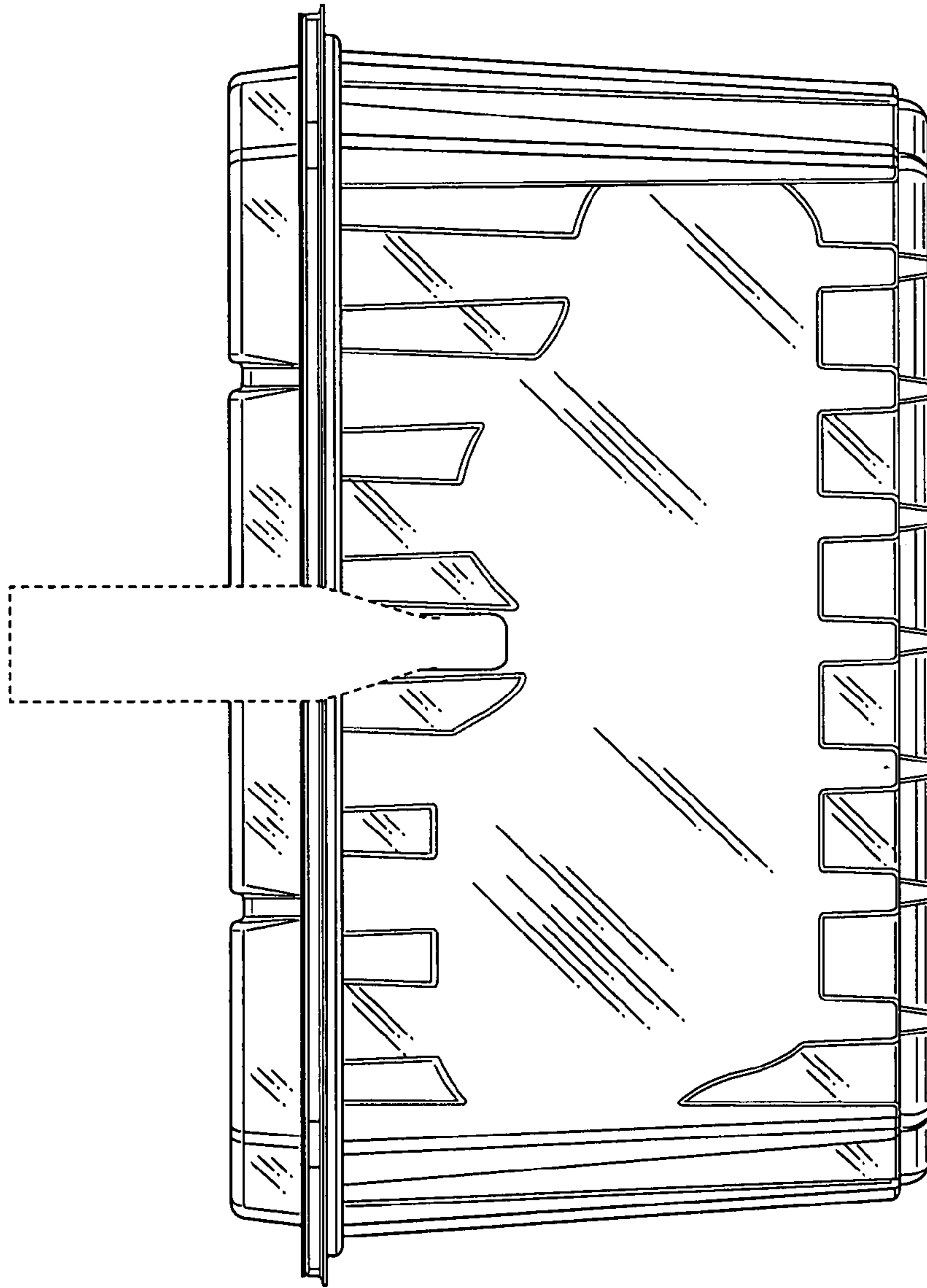


FIG. 6

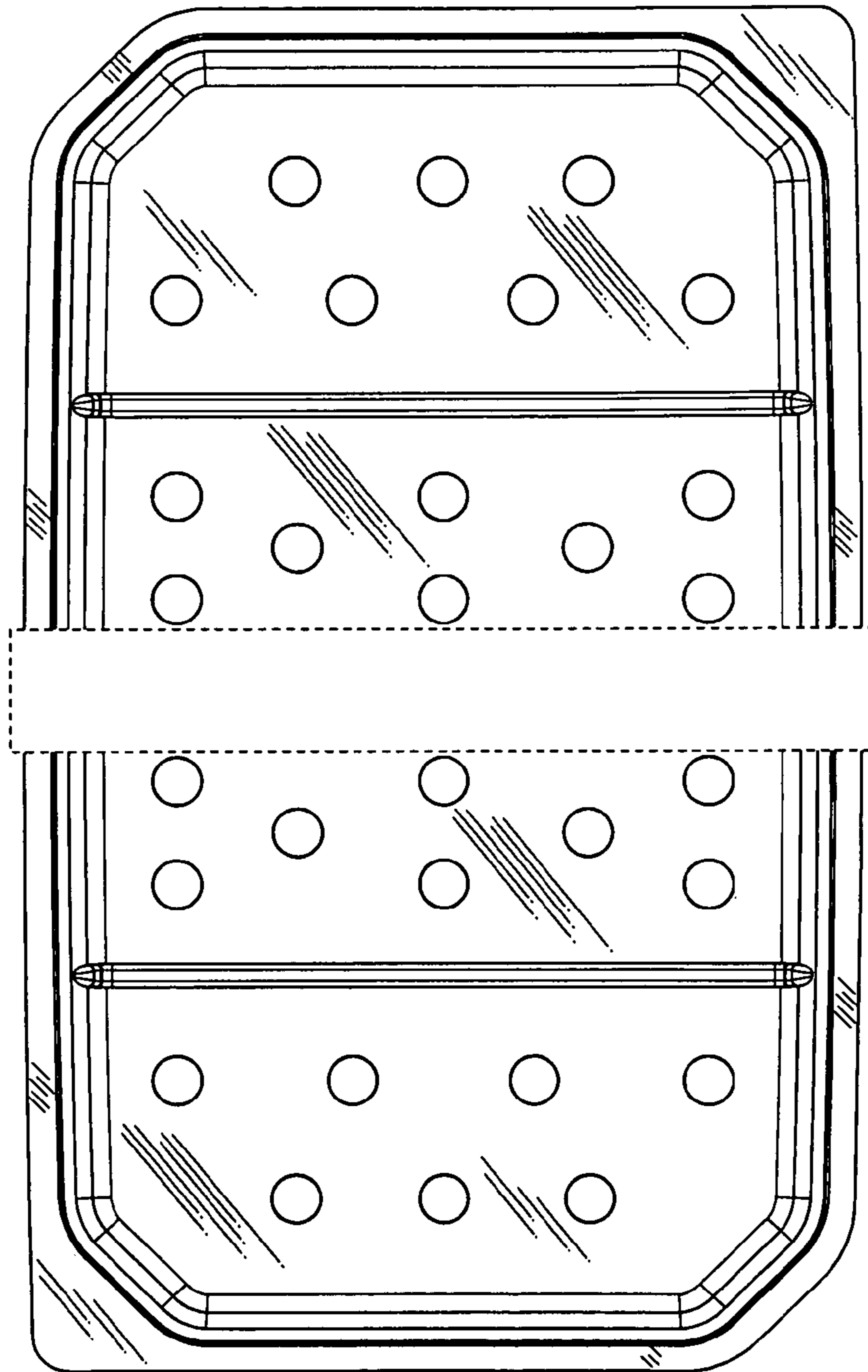


FIG. 7

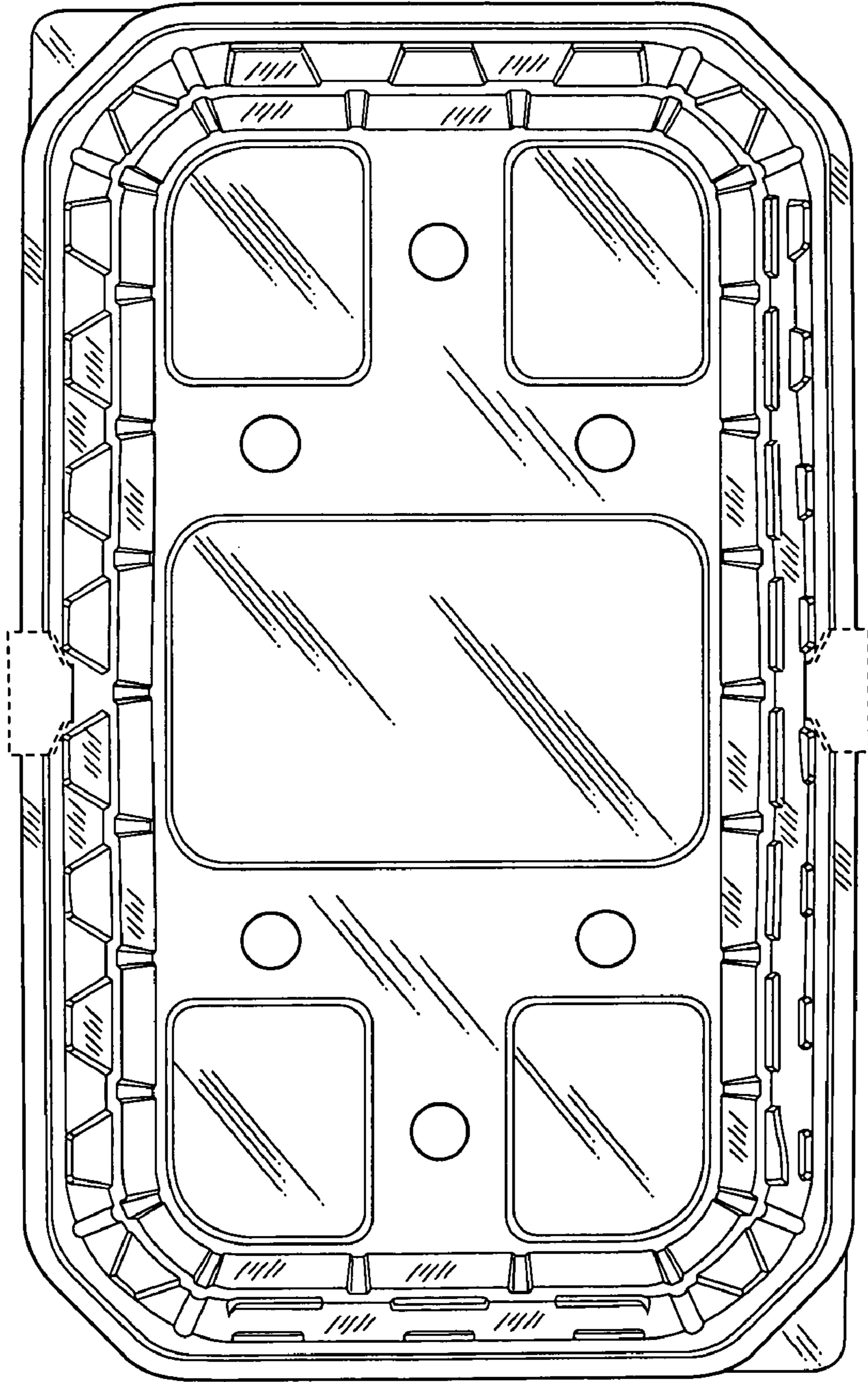


FIG. 8

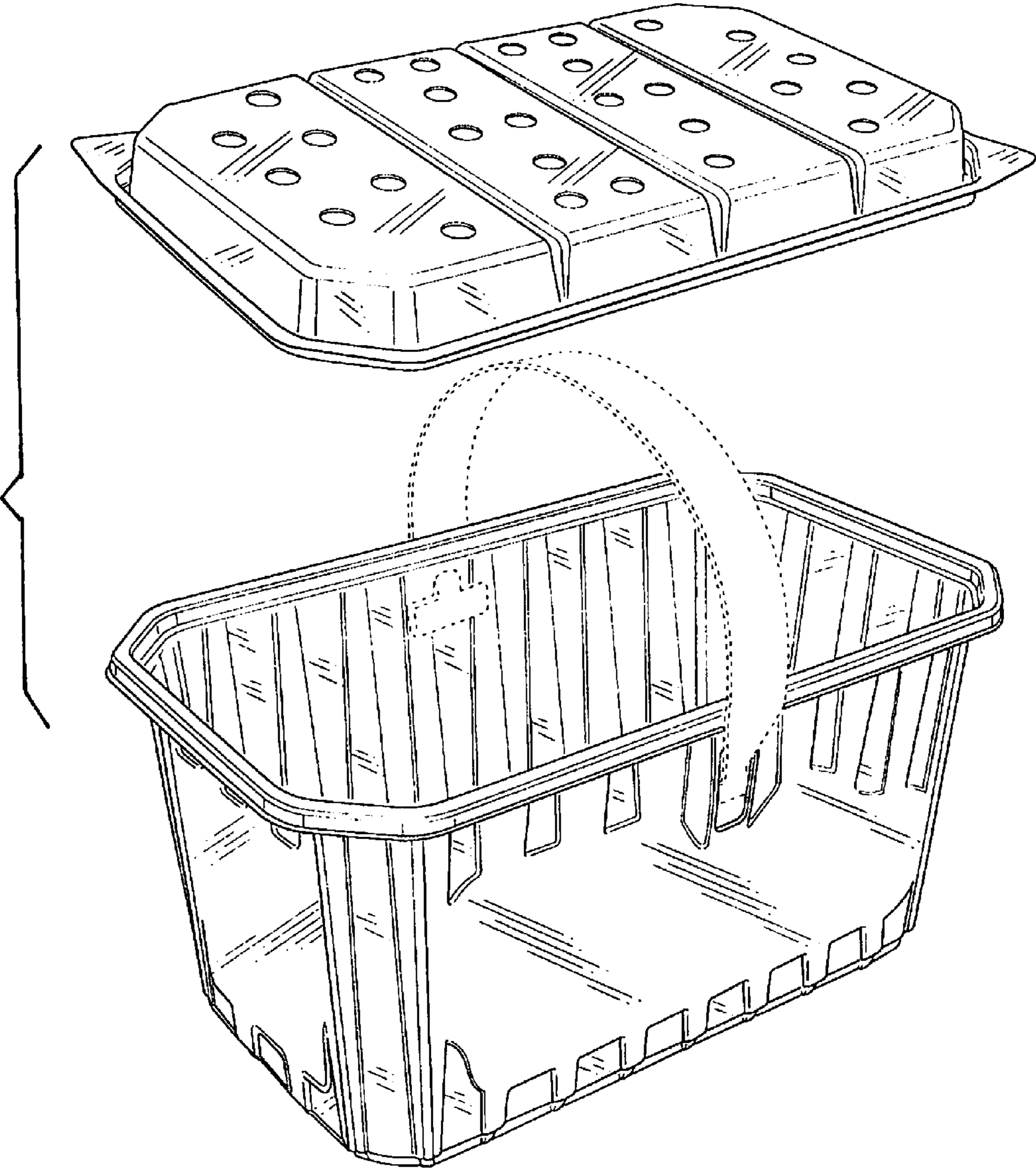


FIG. 9

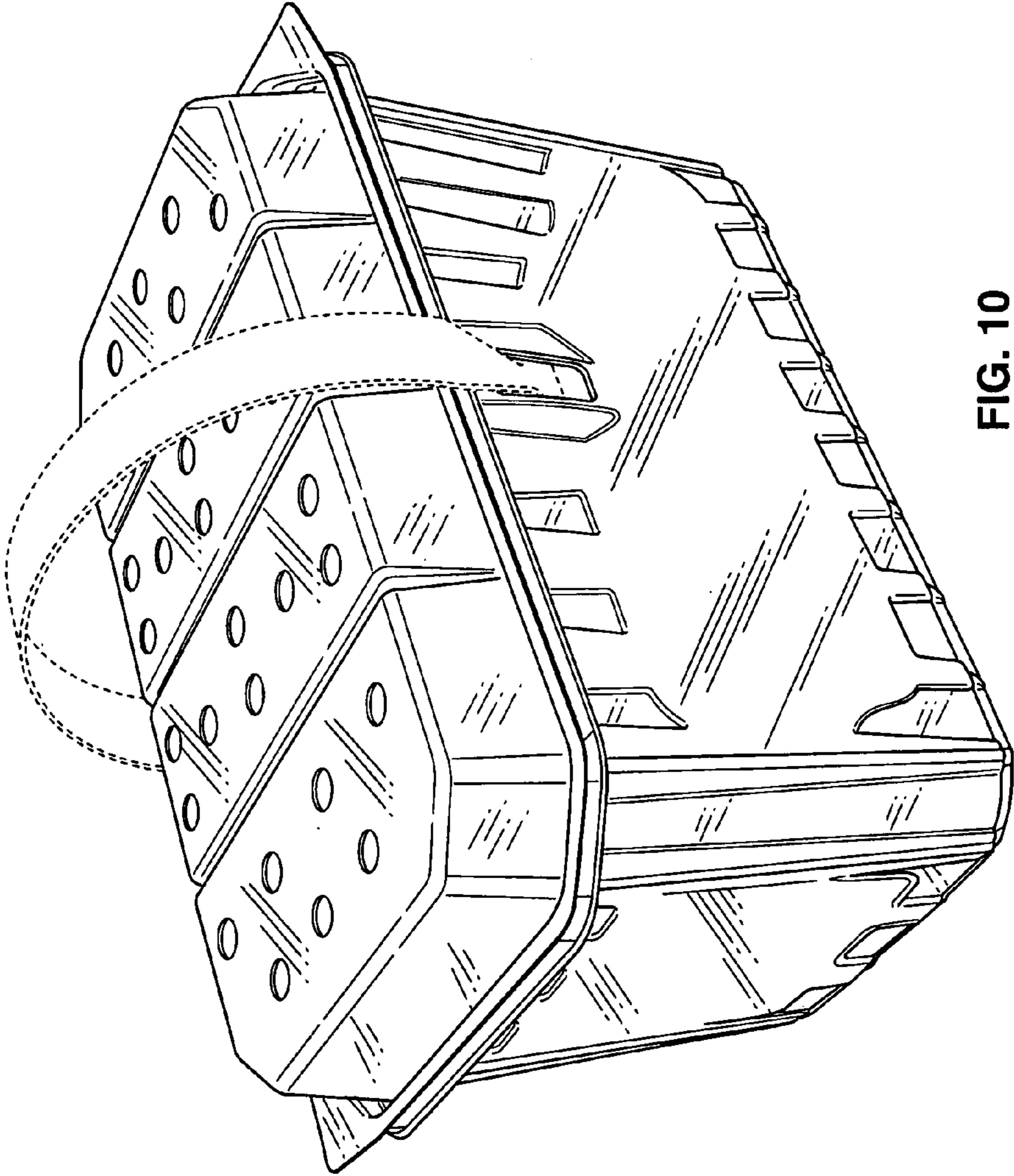


FIG. 10

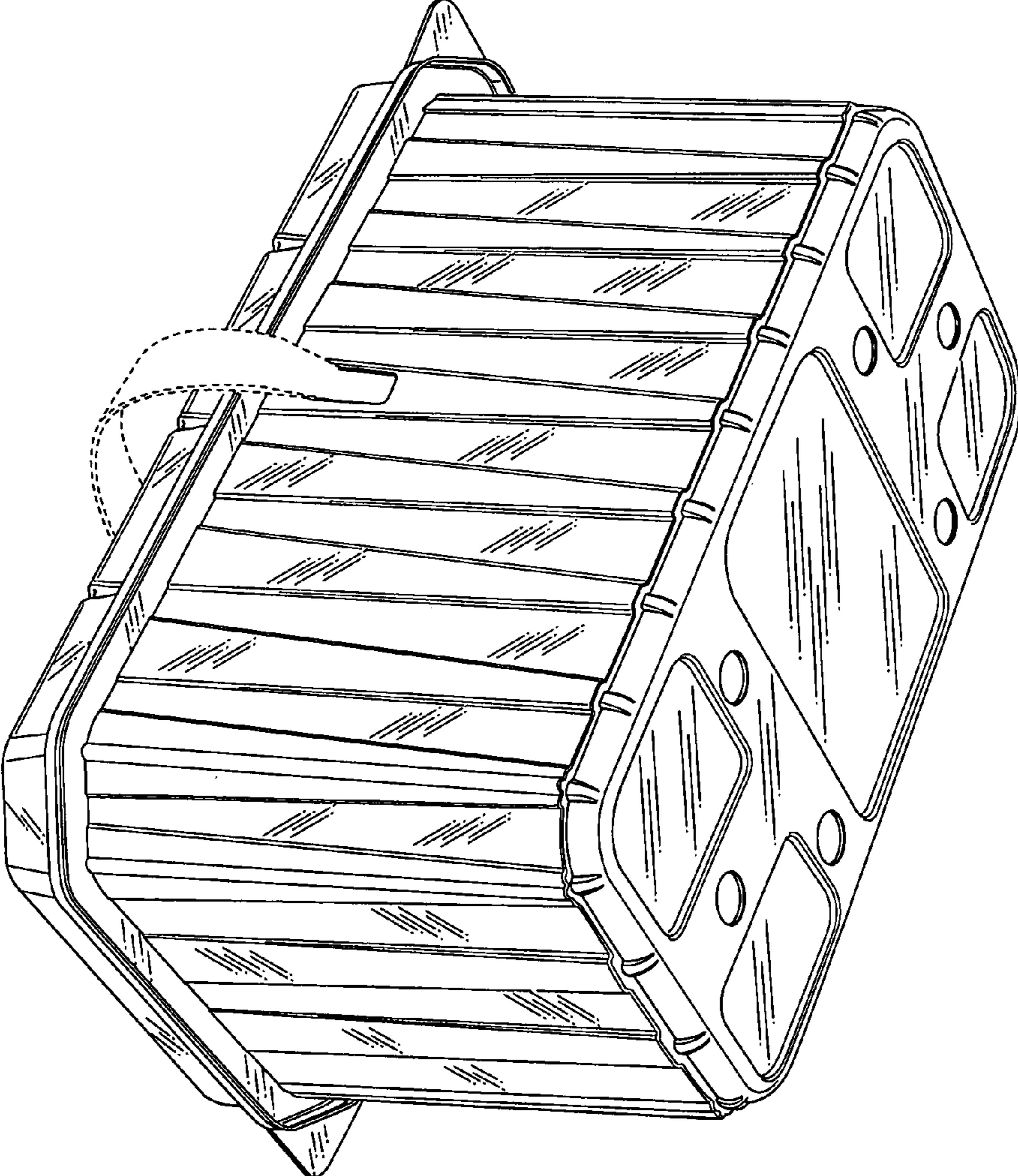


FIG. 11

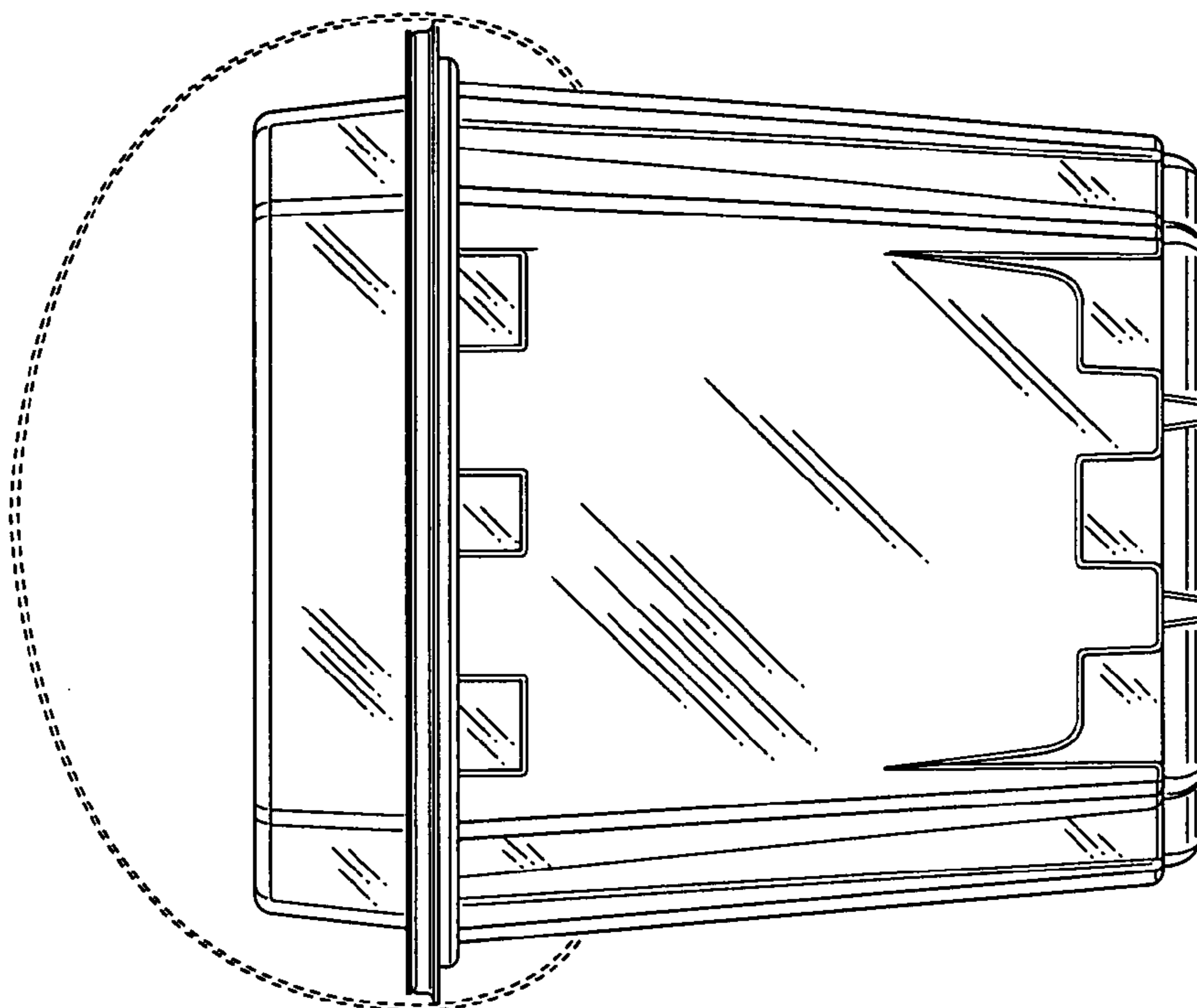


FIG. 14

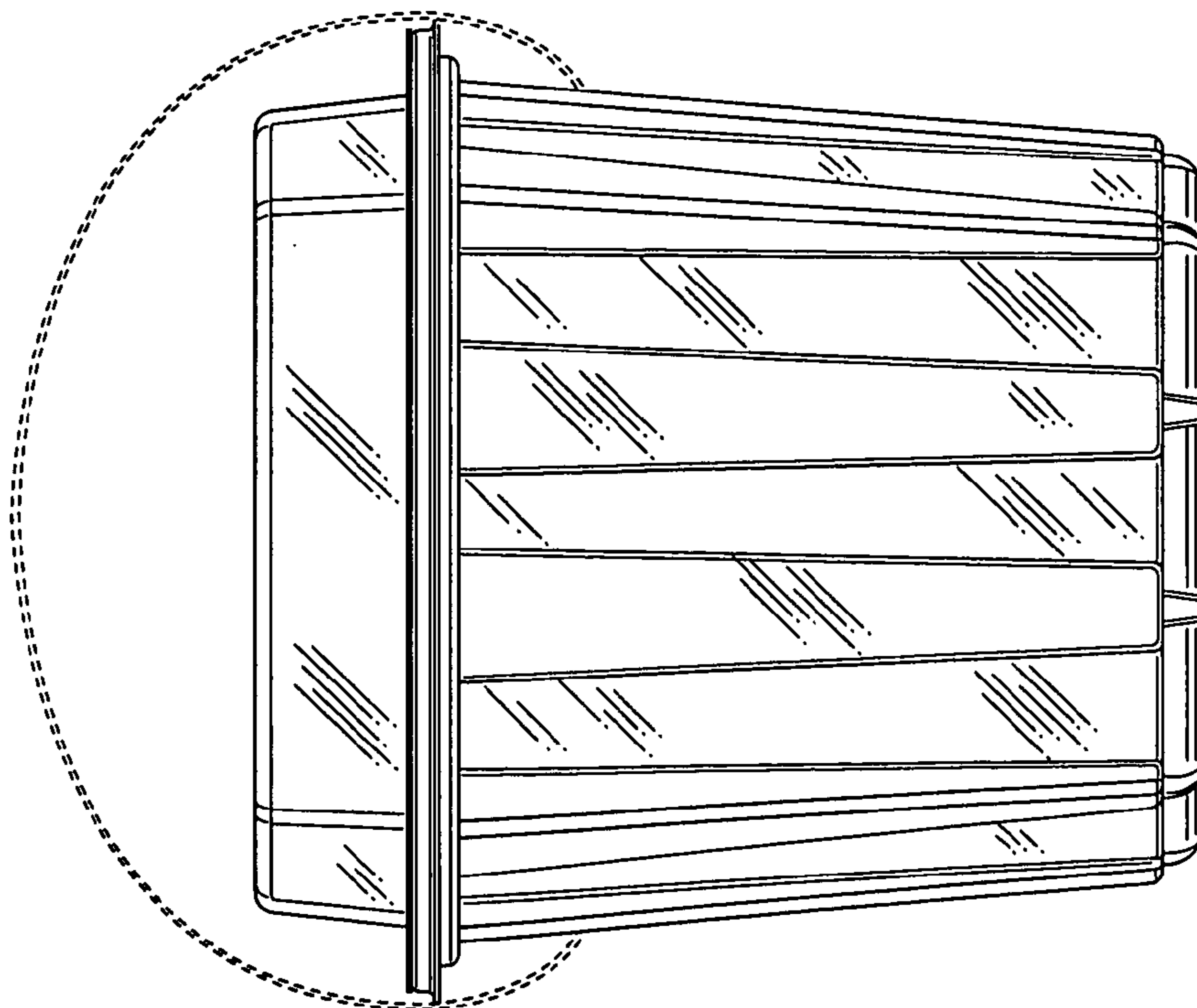


FIG. 12

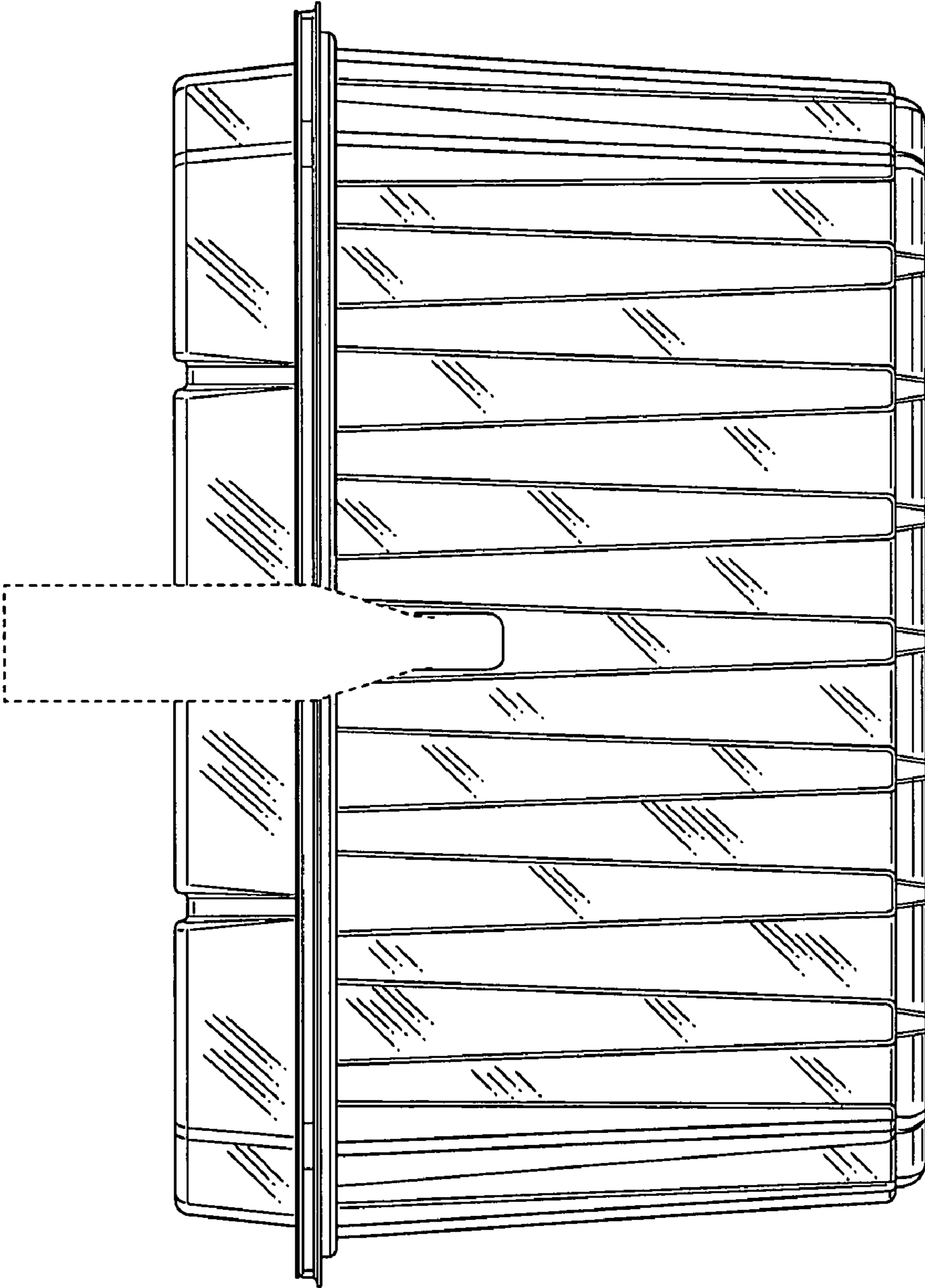


FIG. 13

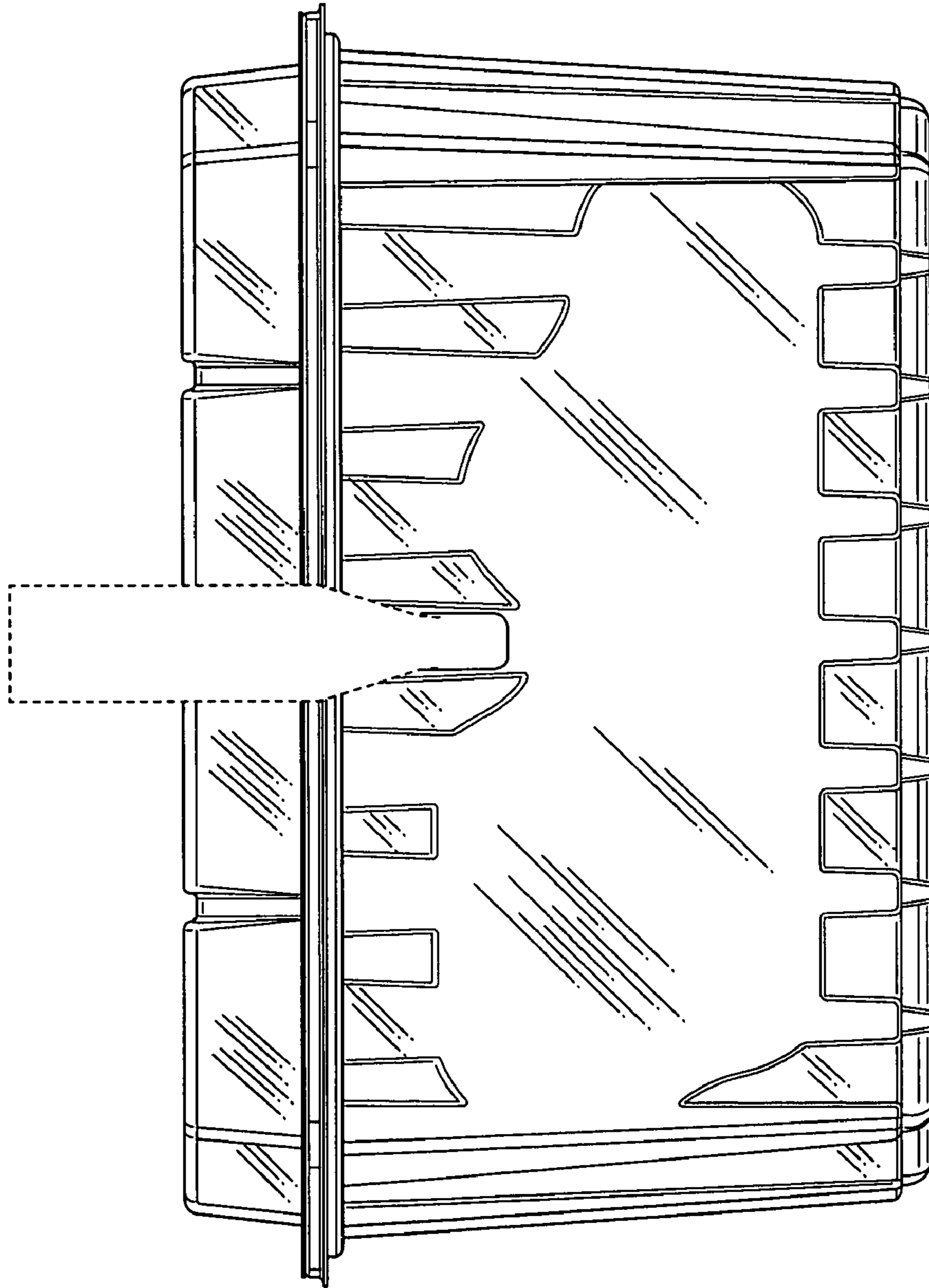


FIG. 15

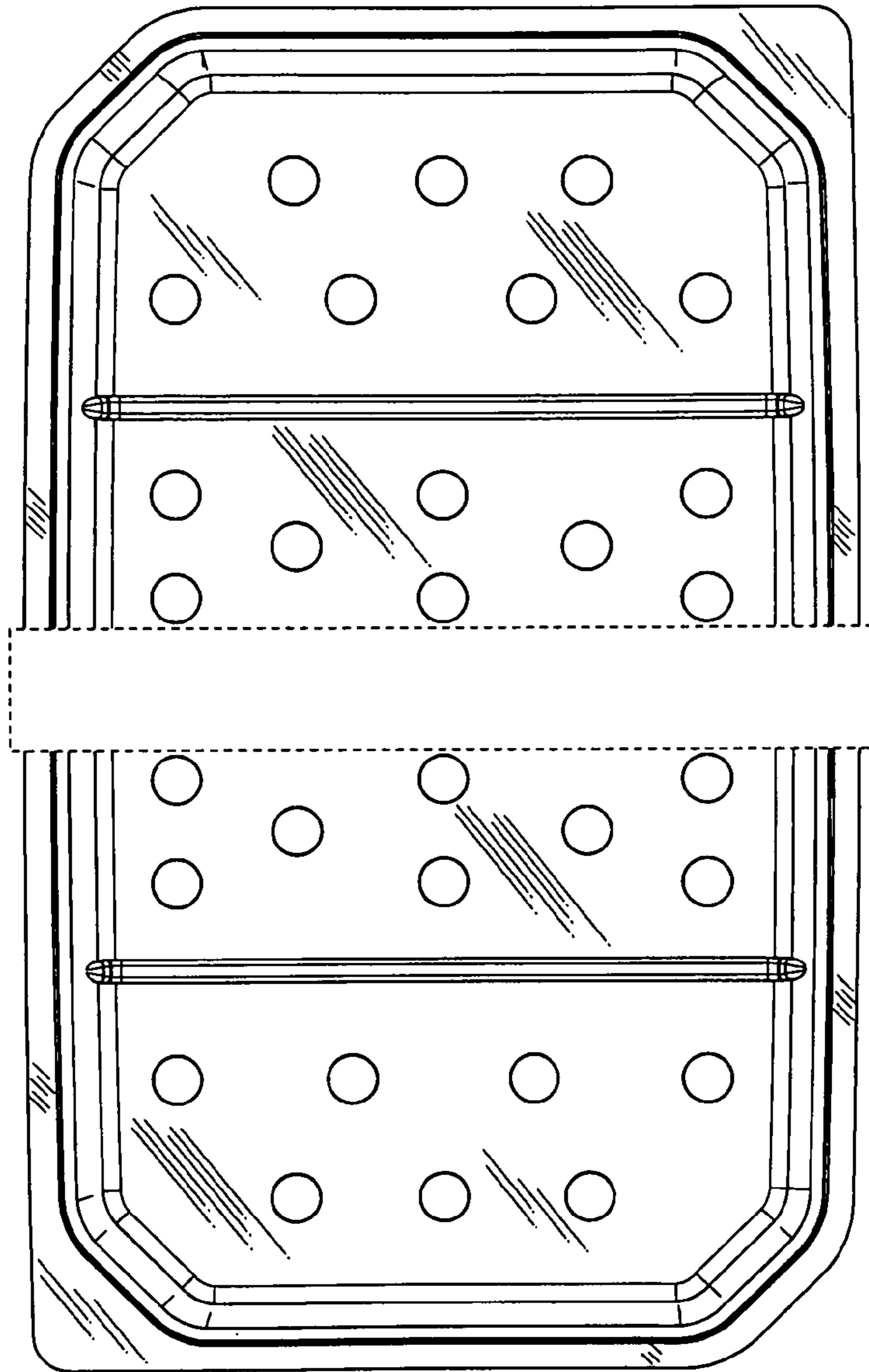


FIG. 16

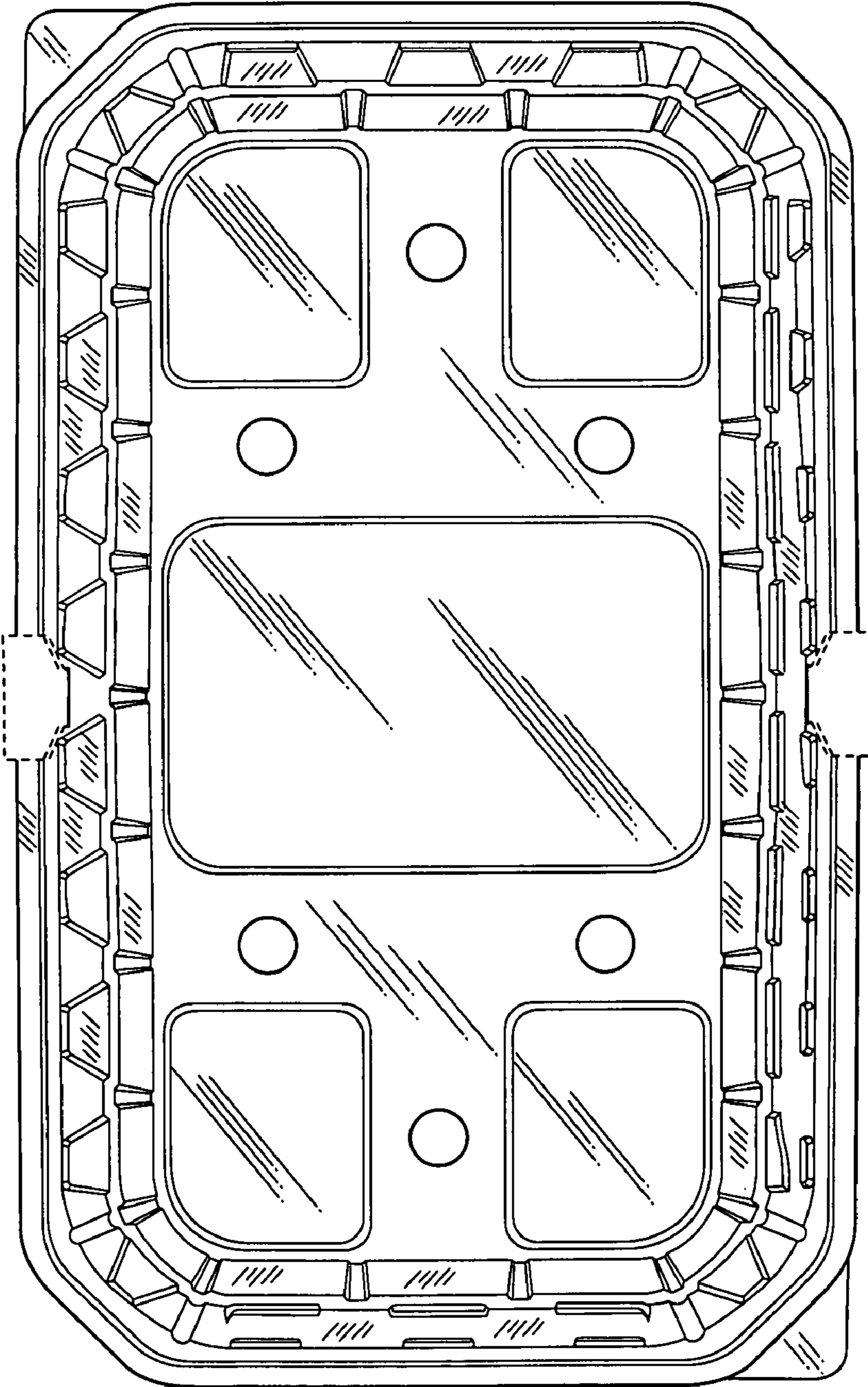


FIG. 17

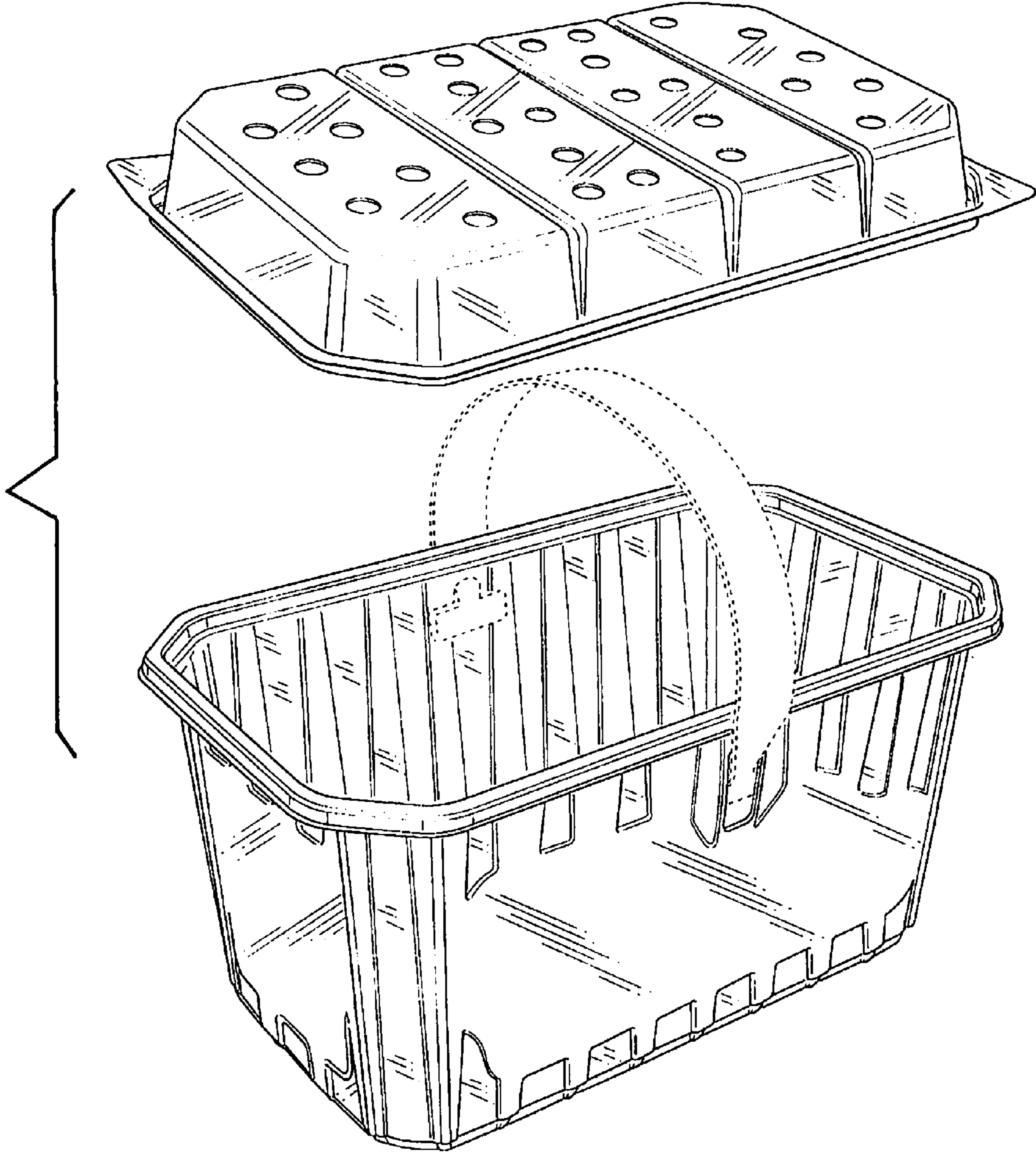


FIG. 18