



US00D619886S

(12) **United States Design Patent**
Heindl

(10) **Patent No.:** **US D619,886 S**

(45) **Date of Patent:** **** Jul. 20, 2010**

(54) **CONNECTING ELEMENT FOR SHEET PILES**

D530,190 S * 10/2006 Wall D8/382

D541,640 S * 5/2007 Heindl D8/382

D542,633 S * 5/2007 Heindl D8/382

(75) Inventor: **Richard Heindl**, Munich (DE)

(73) Assignee: **Pilepro, LLC**, Rapid City, SD (US)

* cited by examiner

(**) Term: **14 Years**

Primary Examiner—Holly H Baynham

Assistant Examiner—Sheryl Lane

(21) Appl. No.: **29/315,256**

(74) *Attorney, Agent, or Firm*—Karl F. Milde, Jr.; Eckert
Seamans; Cherin & Mellott, LLC

(22) Filed: **Jun. 9, 2009**

(30) **Foreign Application Priority Data**

(57) **CLAIM**

Dec. 1, 1990 (EM) I 001053532

The ornamental design for a connecting element for sheet
piles, as shown and described.

(51) **LOC (9) Cl.** **08-08**

(52) **U.S. Cl.** **D8/382**

(58) **Field of Classification Search** D8/382,

D8/394, 395; D25/119; 405/279, 278; 24/573.09,

24/346, 370

See application file for complete search history.

DESCRIPTION

FIG. 1 is a perspective view of the connecting element for
sheet piles according to my design; and,

FIG. 2 is an end view of the connecting element of FIG. 1.

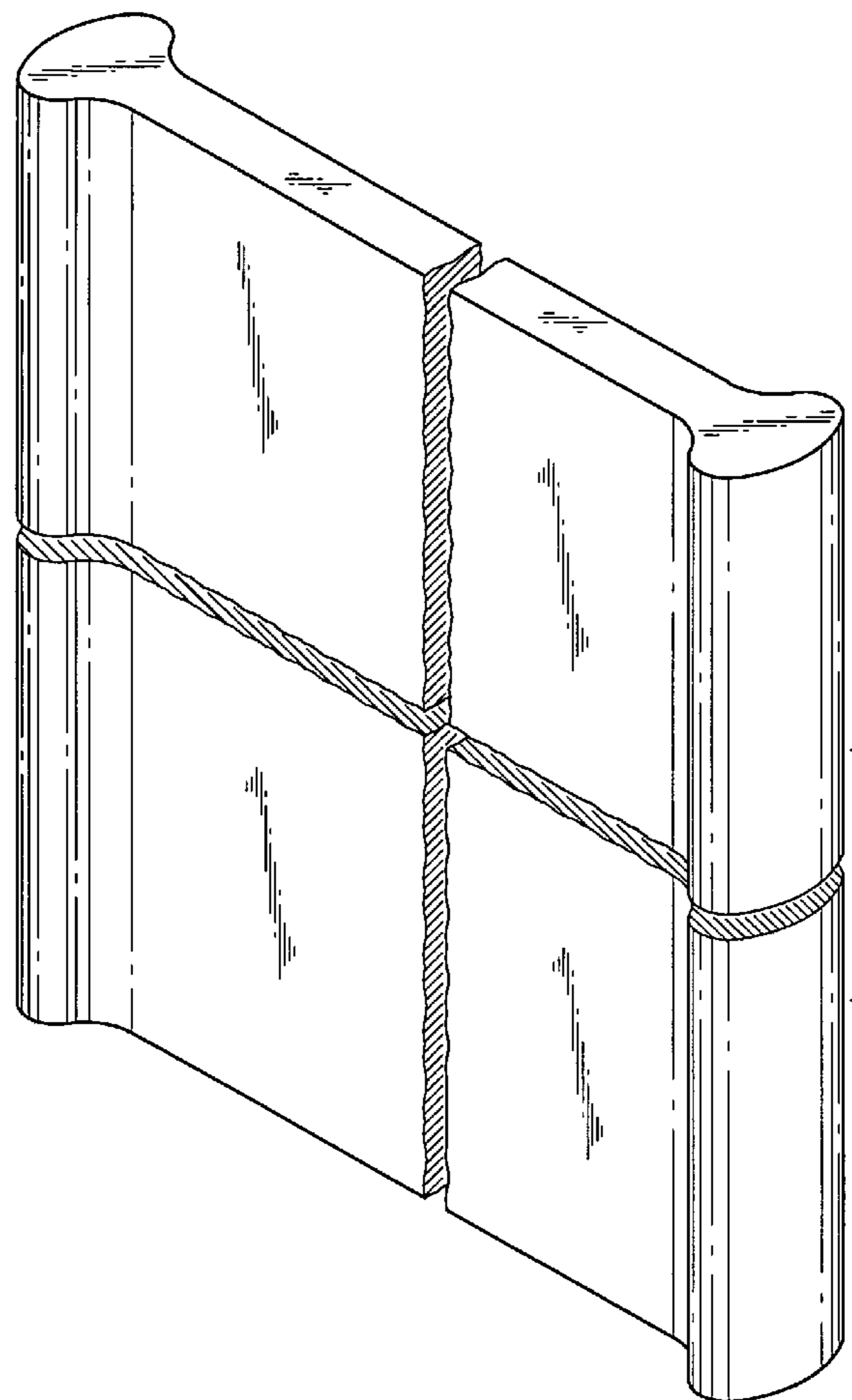
The connecting element is shown broken away to indicate an
indeterminate length and an indeterminate width.

(56) **References Cited**

U.S. PATENT DOCUMENTS

D479,797 S * 9/2003 Wall D8/382

1 Claim, 1 Drawing Sheet



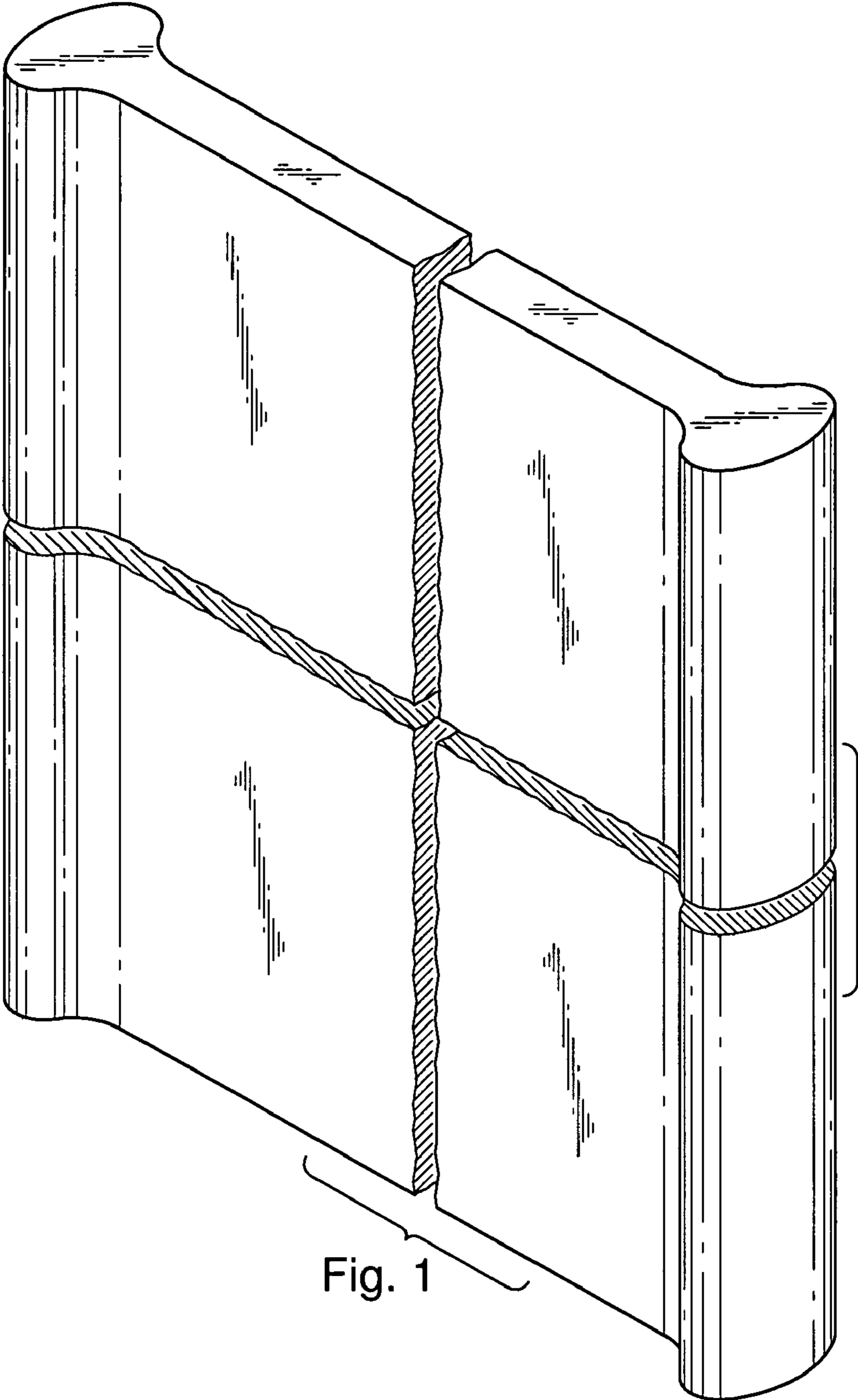


Fig. 1

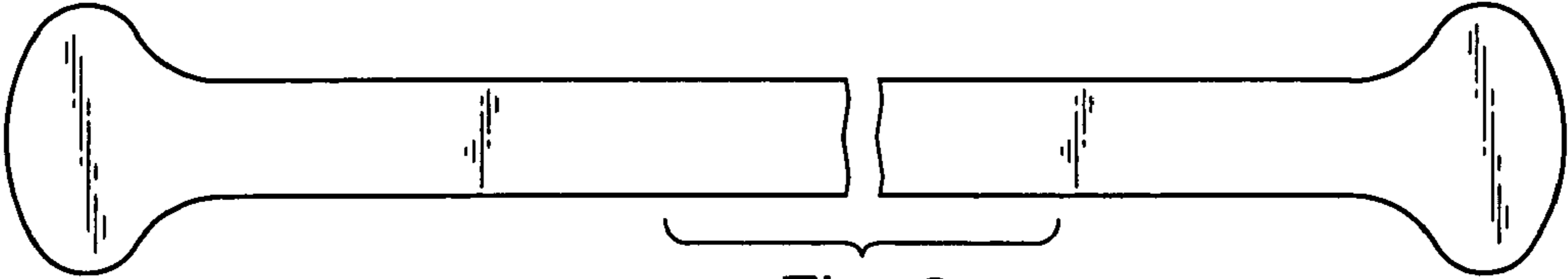


Fig. 2