



US00D619883S

(12) **United States Design Patent**
Hansort

(10) **Patent No.:** **US D619,883 S**
(45) **Date of Patent:** **** Jul. 20, 2010**

(54) **EDGE CONNECTOR FOR ADJOINING
ADJACENT CONCRETE STRUCTURAL
MEMBERS**

(76) Inventor: **Marinus Hansort**, 2 S. 624 Ave.
Vendome, Oak Brook, IL (US) 60523

(**) Term: **14 Years**

(21) Appl. No.: **29/314,321**

(22) Filed: **Mar. 19, 2009**

(51) **LOC (9) Cl.** **08-08**

(52) **U.S. Cl.** **D8/382; D8/356**

(58) **Field of Classification Search** D8/382,
D8/349, 356; 52/582.1, 607, 715, 712, 367,
52/370, 369, 583.1, 601; 403/232.1, 400,
403/386, 394

See application file for complete search history.

(56) **References Cited**

U.S. PATENT DOCUMENTS

760,999	A	5/1904	Landis	
940,326	A	11/1909	Kaspar	
975,368	A	11/1910	Kakowski	
1,199,077	A	9/1916	James	
1,280,485	A	10/1918	Kahn	
1,334,101	A	3/1920	Kealy	
1,399,088	A	12/1921	Seymour	
1,622,697	A	3/1927	Baily	
1,726,496	A	8/1929	Kinninger	
1,767,575	A *	6/1930	Bujack	52/369
1,777,359	A	10/1930	Goldsmith	
1,924,724	A	8/1933	Olney	
2,091,061	A	8/1937	Waugh	
2,115,137	A	4/1938	Bosco	
2,191,979	A	2/1940	Bierbach	

(Continued)

FOREIGN PATENT DOCUMENTS

GB 2 268 761 A 1/1994

(Continued)

OTHER PUBLICATIONS

Dayton Superior web site (Dec. 2008), Precast Concrete Accessories, P-11 Shear Grip Flange Connector and P-11 Shear-Grip Connectors; date unknown.

(Continued)

Primary Examiner—Holly H Baynham

Assistant Examiner—Sheryl Lane

(74) *Attorney, Agent, or Firm*—L. Wayne White

(57) **CLAIM**

I claim the ornamental design for an edge connector for adjoining adjacent concrete structural members, as shown and described.

DESCRIPTION

Cross-reference to related application: Ser. Nos. 29/314,320, 29/314,322, 29/314,323 and 29/313,324.

FIG. 1 is a front view;

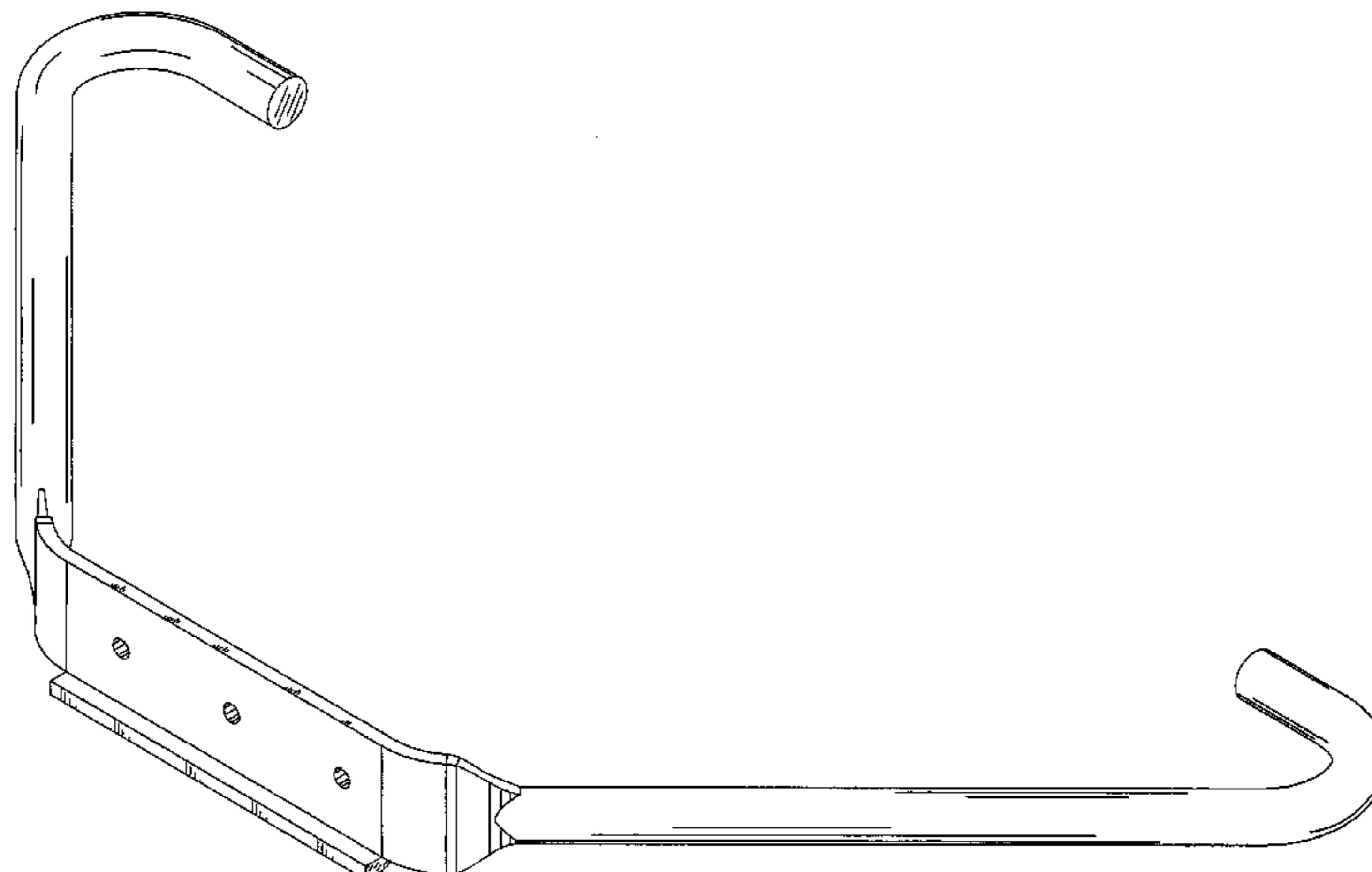
FIG. 2 is a side view;

FIG. 3 is a back view; and,

FIG. 4 is an angle view (a perspective view).

In the intended use, the new design permits two edge connector to be placed as weldment in adjacent concrete structural members (e.g., slabs) and positioned so that the faceplates face each other and can receive a piece of rebar or a plug. Long welds can then made to secure each of the faceplates to the rebar or plug, and to thereby attach the adjacent concrete slabs. There are many unique features in the novel design shown and described herein including, without limitation, (a) a faceplate and two legs attached thereto, all within the same plane, (b) the legs are smooth steel bars extending outwardly from the ends of the faceplate at approximately 45 degrees, and having tips that curve inwardly, (c) the faceplate has a plurality of holes extending through the faceplate from the front to the back, and they are aligned horizontally, and (d) the faceplate has a lip extending outwardly at the bottom of the faceplate.

1 Claim, 4 Drawing Sheets



US D619,883 S

Page 2

U.S. PATENT DOCUMENTS

2,188,445 A 7/1940 Saxe
 2,420,425 A 5/1947 Hardwick
 2,462,415 A 2/1949 Nagel
 2,607,450 A 8/1952 Horowitz
 2,611,262 A 9/1952 Dodson et al.
 2,664,740 A 1/1954 Cochrane
 2,755,484 A 7/1956 Hotz
 3,091,822 A 6/1963 Fiekers et al.
 3,299,593 A 1/1967 Avila
 3,359,022 A 12/1967 Russell
 3,487,597 A 1/1970 Gutt
 3,585,771 A 6/1971 Pinniger
 3,683,578 A 8/1972 Zimmerman
 3,741,701 A 6/1973 Nelson
 3,742,660 A 7/1973 Bierweller
 3,747,287 A 7/1973 Finger
 3,750,360 A * 8/1973 Kingston 52/714
 3,851,428 A 12/1974 Stuart
 3,958,954 A 5/1976 Ehlenbeck
 3,985,482 A 10/1976 Suzuki
 3,993,341 A 11/1976 Bentley
 4,022,537 A 5/1977 Gilb et al.
 4,023,323 A * 5/1977 Fortin 52/712
 4,047,352 A 9/1977 Sweet
 4,182,092 A 1/1980 Weaver
 D259,170 S * 5/1981 Emms D8/382
 4,411,548 A 10/1983 Tschan
 4,527,375 A 7/1985 Braginetz
 D285,045 S 8/1986 Mahoney
 4,649,682 A 3/1987 Barrett, Jr.
 4,724,649 A 2/1988 Lowndes, III
 4,884,958 A 12/1989 Lowndes, III et al.
 4,930,677 A 6/1990 Jolliffe
 5,222,338 A 6/1993 Hull et al.
 5,257,483 A * 11/1993 Netek 52/23
 5,390,460 A 2/1995 Llorens
 5,402,616 A 4/1995 Klein
 5,448,871 A 9/1995 Newman et al.
 5,485,704 A 1/1996 Sandor, Sr.
 5,491,948 A 2/1996 Harris

D370,080 S * 5/1996 Stultz D26/140
 5,560,156 A 10/1996 McDonald
 5,595,031 A 1/1997 Commins
 D413,253 S * 8/1999 Kalat D8/382
 6,065,263 A 5/2000 Taguchi
 6,185,897 B1 2/2001 Johnson et al.
 D445,668 S * 7/2001 Hills, Sr. D8/354
 6,295,780 B1 10/2001 Thompson
 6,510,666 B1 1/2003 Thompson
 6,668,505 B1 12/2003 Hohnmann et al.
 6,668,506 B2 12/2003 Snauwaert
 6,789,365 B1 9/2004 Hohmann et al.
 6,854,232 B2 2/2005 Snauwaert
 D572,569 S 7/2008 Magnesio
 7,461,492 B1 12/2008 Francies, III et al.
 2002/0104285 A1 8/2002 Schulze et al.
 2002/0121065 A1 9/2002 Schulze
 2002/0192018 A1 12/2002 Snauwaert
 2003/0037505 A1 2/2003 Schulze
 2003/0101678 A1 6/2003 Snauwaert
 2005/0082460 A1 4/2005 Schulze
 2005/0183357 A1 8/2005 Heuvel et al.

FOREIGN PATENT DOCUMENTS

WO PCT/US2003/001305 1/2003
 WO WO/2003/064779 7/2003

OTHER PUBLICATIONS

Dayton/Richmond Concrete Accessories, product brochure for P-11, P-11-S and P-11-W Shear-Grip Connectors; date unknown.
 Jose A. Pincheira et al., Behavior of Double-Tee Flange Connectors Subjected to In-Plane Monotonic and Reversed Cyclic Loads, PCI Journal, Nov.-Dec. 2005, pp. 2-24.
 JVI, Inc. web site (Dec. 2008), Vector Connector(TM); date unknown.
 JVI, Inc. product brochure for Vector Connector(TM); Flange Connectors for Precast Concrete Double Tee Systems; date unknown.
 Universal Form Clamp Co. product brochure for Twister Connector (TM); date unknown.

* cited by examiner

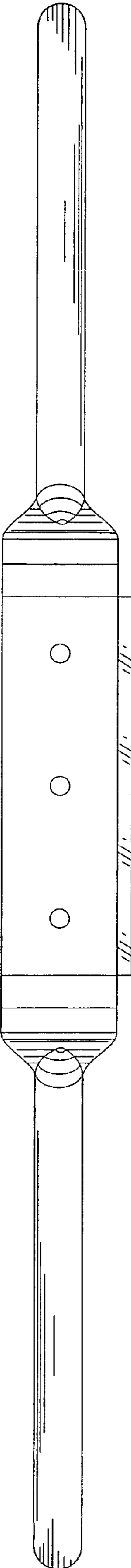


Fig. 1

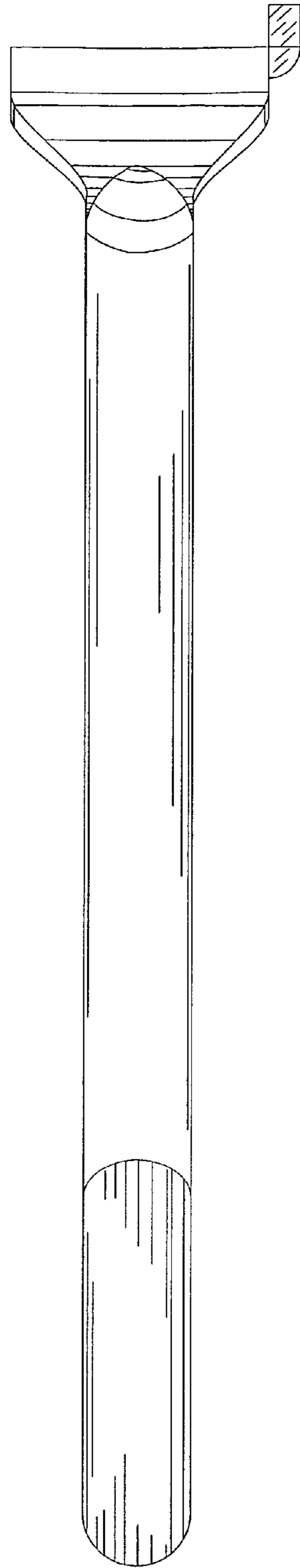


Fig. 2

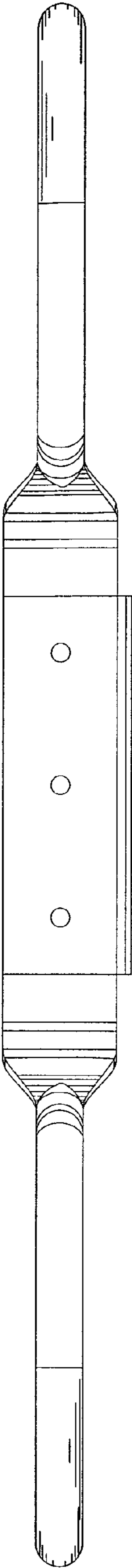


Fig. 3

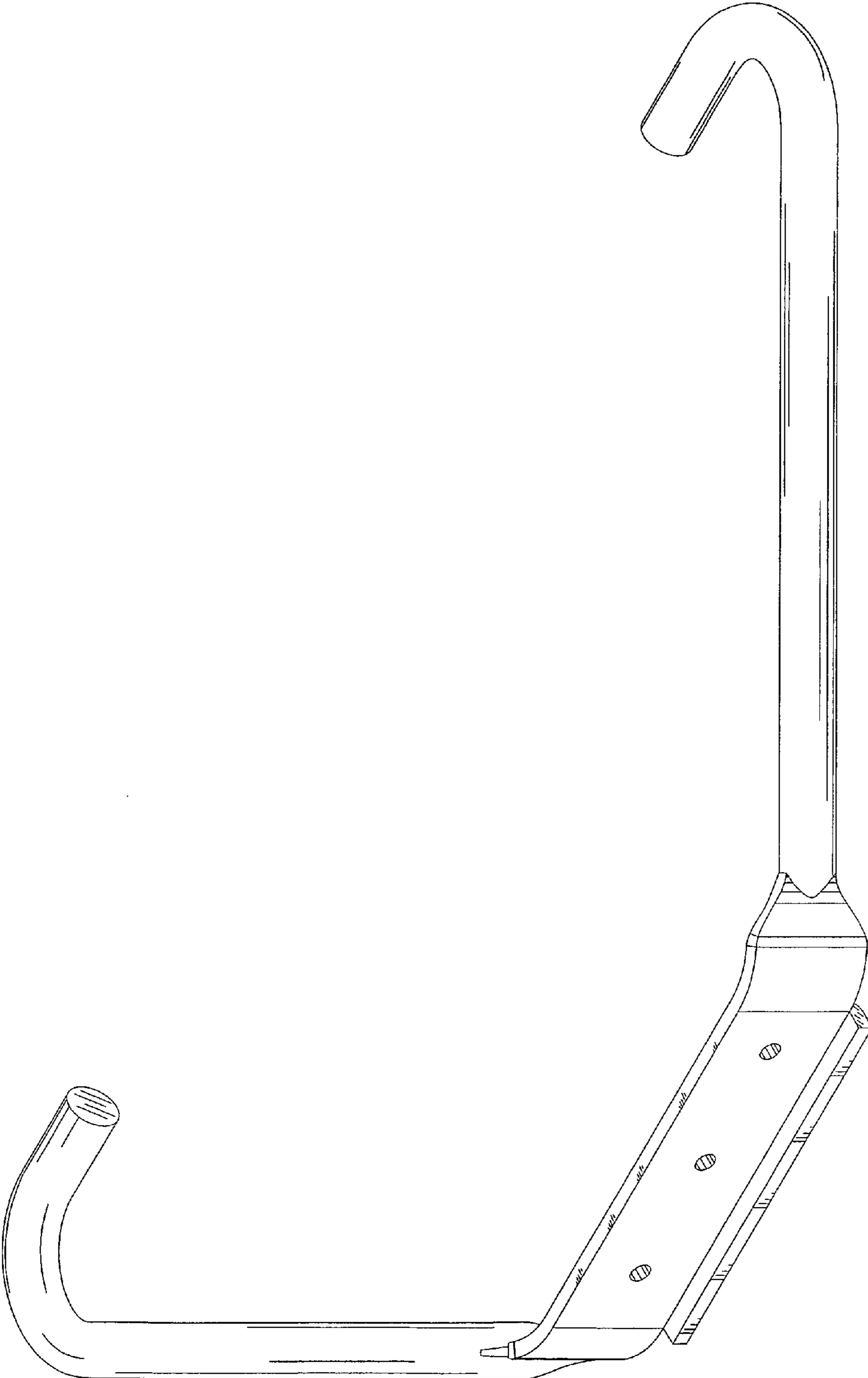


Fig. 4